

DOOR SCHEDULE

NUMBER	DOOR SIZE		DOOR			FRAME			HARDWARE	REMARKS	LABEL
	WIDTH	HEIGHT	TYPE	MAT'L	FINISH	TYPE	MAT'L	FINISH	SET		
101A	EXIST	EXIST	EXIST	EXIST	EXISTING	EXIST	EXIST	EXISTING	LOCK	ALL OFFICE ROOM KEYS TO OPEN LOCK	-
101B	EXIST	EXIST	EXIST	EXIST	EXISTING	EXIST	EXIST	EXISTING	LOCK	ALL OFFICE ROOM KEYS TO OPEN LOCK	-
101C	EXIST	EXIST	EXIST	EXIST	EXISTING	EXIST	EXIST	EXISTING	LOCK	ALL OFFICE ROOM KEYS TO OPEN LOCK	-
101D	EXIST	EXIST	EXIST	EXIST	EXISTING	EXIST	EXIST	EXISTING	LOCK	ALL OFFICE ROOM KEYS TO OPEN LOCK	-
103	EXIST	EXIST	EXIST	EXIST	ST/V	EXIST	EXIST	PAINT	LOCK	REFINISH DOOR	-
104	3'-0"	7'-0"	A	WD	ST/V	FI	H.M.	PAINT	1	-	-
106	3'-0"	7'-0"	A	WD	ST/V	FI	H.M.	PAINT	1	-	-
107A	3'-0"	7'-0"	A	WD	ST/V	FI	H.M.	PAINT	2	-	-
107B	EXIST	EXIST	EXIST	EXIST	EXISTING	EXIST	EXIST	EXISTING	LOCK	ALL OFFICE ROOM KEYS TO OPEN LOCK	-
108	3'-0"	7'-0"	A	WD	ST/V	FI	H.M.	PAINT	1	-	-
109	3'-0"	7'-0"	A	WD	ST/V	FI	H.M.	PAINT	1	-	-
112	EXIST	EXIST	EXIST	EXIST	EXISTING	EXIST	EXIST	EXISTING	LOCK	ALL OFFICE ROOM KEYS TO OPEN LOCK CORRIDOR 112 SIDE TO BE LOCKED	-
114	EXIST	EXIST	EXIST	EXIST	ST/V	EXIST	EXIST	PAINT	LOCK	REFINISH DOOR	-
115	EXIST	EXIST	EXIST	EXIST	ST/V	EXIST	EXIST	PAINT	LOCK	REFINISH DOOR	-
116	3'-0"	7'-0"	A	WD	ST/V	FI	H.M.	PAINT	1	-	-
117	3'-0"	7'-0"	A	WD	ST/V	FI	H.M.	PAINT	1	-	-
118A	3'-0"	7'-0"	A	WD	ST/V	FI	H.M.	PAINT	1	-	-
118B	3'-0"	7'-0"	A	WD	ST/V	FI	H.M.	PAINT	1	-	-
119A	3'-0"	7'-0"	A	WD	ST/V	FI	H.M.	PAINT	2	-	-
119B	3'-0"	7'-0"	A	WD	ST/V	FI	H.M.	PAINT	2	-	-
119C	EXIST	EXIST	EXIST	EXIST	EXISTING	EXIST	EXIST	EXISTING	LOCK	ALL OFFICE ROOM KEYS TO OPEN LOCK	-
120	3'-0"	7'-0"	A	WD	ST/V	FI	H.M.	PAINT	2	-	-
121	3'-0"	7'-0"	A	WD	ST/V	FI	H.M.	PAINT	1	-	-
123	3'-0"	7'-0"	A	WD	ST/V	FI	H.M.	PAINT	1	-	-
124	3'-0"	7'-0"	A	WD	ST/V	FI	H.M.	PAINT	1	-	-
125	3'-0"	7'-0"	A	WD	ST/V	FI	H.M.	PAINT	1	-	-
126	3'-0"	7'-0"	A	WD	ST/V	FI	H.M.	PAINT	1	-	-
127	EXIST	EXIST	EXIST	EXIST	ST/V	EXIST	EXIST	PAINT	LOCK	REFINISH DOOR	-
128	3'-0"	7'-0"	A	WD	ST/V	F2	H.M.	PAINT	2	-	-
129	3'-0"	7'-0"	A	WD	ST/V	FI	H.M.	PAINT	1	-	-
130	3'-0"	7'-0"	A	WD	ST/V	FI	H.M.	PAINT	1	-	-
131	3'-0"	7'-0"	A	WD	ST/V	FI	H.M.	PAINT	1	-	-
133	3'-0"	7'-0"	A	WD	ST/V	FI	H.M.	PAINT	3	-	-
134	3'-0"	7'-0"	A	WD	ST/V	FI	H.M.	PAINT	1	-	-
135	3'-0"	7'-0"	B	WD	ST/V	FI	H.M.	PAINT	1	-	-
136A	EXIST	EXIST	EXIST	EXIST	ST/V	EXIST	EXIST	PAINT	LOCK	REFINISH DOOR	-
136B	EXIST	EXIST	EXIST	EXIST	ST/V	EXIST	EXIST	PAINT	EXISTING	REFINISH DOOR	-
137	EXIST	EXIST	EXIST	EXIST	ST/V	EXIST	EXIST	PAINT	LOCK	REFINISH DOOR	-

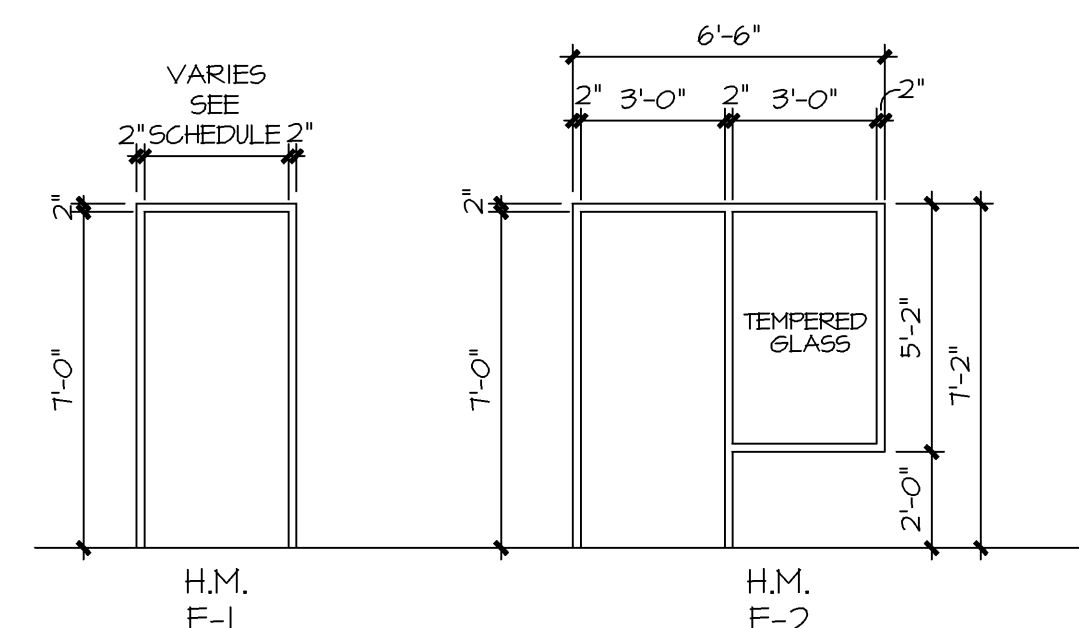
DOOR NOTES

- ALL DOOR HARDWARE SETS SHALL HAVE LEVER HANDLES UNLESS OTHERWISE NOTED.
- ALL EXISTING WOOD DOOR TO BE REFINISHED

HARDWARE SET #1	HARDWARE SET #2	HARDWARE SET #3
1/2 PAIR HINGES STOP LOCK SET	1/2 PAIR HINGES STOP PASSAGE SET	1/2 PAIR HINGES STOP PRIVACY LOCKSET H/C SIGNAGE

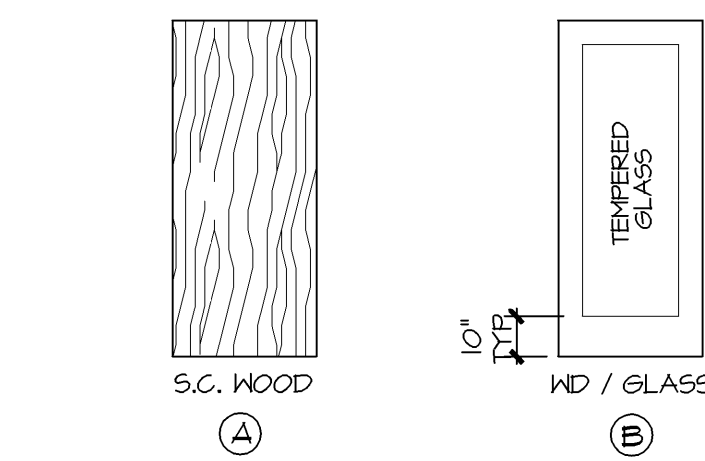
HARDWARE

1/4" = 1'-0"



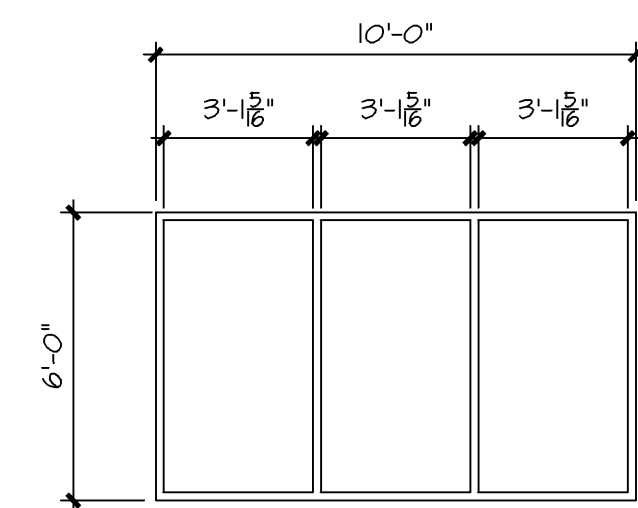
DOOR FRAMES

1/4" = 1'-0"



DOOR STYLES

1/4" = 1'-0"



WINDOW TYPES

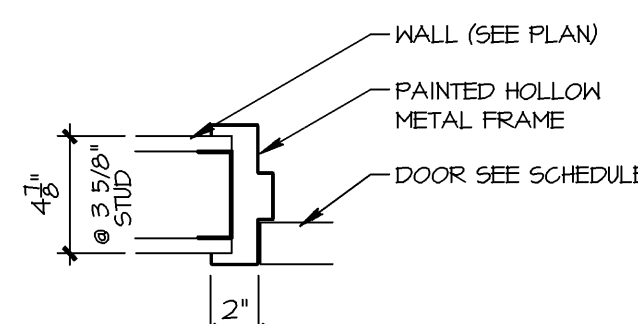
1/4" = 1'-0"

ROOM FINISH SCHEDULE

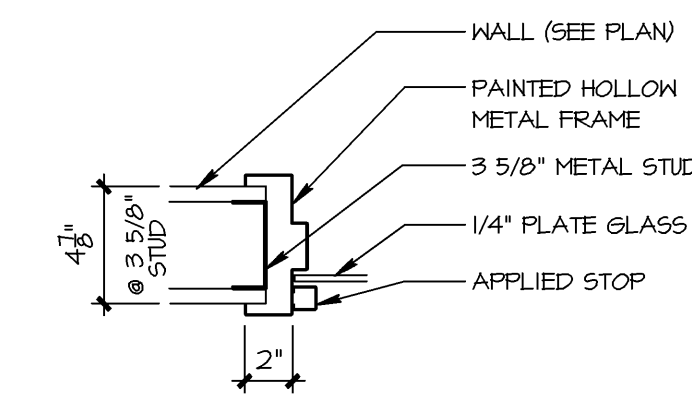
NO.	ROOM	FLOOR	BASE	WALLS				CEILING		REMARKS
				NORTH	EAST	SOUTH	WEST	MAT'L	HGT.	
101	EXISTING VESTIBULE	CT 6x6	CT 4x4	EXISTING	EXISTING	EXISTING	EXISTING	EXISTING	-	-
102	WAITING	CPT	VB	PGWB	PGWB	PGWB	PGWB	ACT 2x4 (2x2 REVEAL)	12'-0"	SEE PLAN FOR LOCATION OF WALL COVERING
103	OFFICE	CPT	VB	PGWB	PGWB	PGWB	PGWB	ACT 2x4 (2x2 REVEAL)	12'-0"	-
104	SOB	CPT	VB	PGWB	PGWB	PGWB	PGWB	ACT 2x4 (2x2 REVEAL)	9'-0"	-
105	TELLER	CPT	VB	PGWB	PGWB	PGWB	PGWB	ACT 2x4 (2x2 REVEAL)	9'-0"	-
106	NIGHT DROP & VAULT	CPT	VB	PGWB	PGWB	PGWB	PGWB	ACT 2x4 (2x2 REVEAL)	9'-0"	-
107	CONFERENCE ROOM	CPT	VB	PGWB	PGWB	PGWB	PGWB	ACT 2x4 (2x2 REVEAL)	10'-0"	-
108	OFFICE	CPT	VB	PGWB	PGWB	PGWB	PGWB	ACT 2x4 (2x2 REVEAL)	10'-0"	-
109	OFFICE	CPT	VB	PGWB	PGWB	PGWB	PGWB	ACT 2x4 (2x2 REVEAL)	9'-0"	-
110	COFY	CPT	VB	PGWB	PGWB	PGWB	PGWB	ACT 2x4 (2x2 REVEAL)	9'-0"	-
111	CORRIDOR	CPT	VB	PGWB	PGWB	PGWB	PGWB	ACT 2x4 (2x2 REVEAL)	9'-0"	-
112	CORRIDOR	CPT	VB	PGWB	PGWB	PGWB	PGWB	ACT 2x4 (2x2 REVEAL)	9'-0"	-
113	CORRIDOR	CPT	VB	PGWB	PGWB	PGWB	PGWB	ACT 2x4 (2x2 REVEAL)	9'-0"	-
114	EXISTING UNISEX	EXIST	EXISTING	EXISTING	EXISTING	EXISTING	EXISTING	EXISTING	-	-
115	EXISTING UNISEX	EXIST	EXISTING	EXISTING	EXISTING	EXISTING	EXISTING	EXISTING	-	-
116	OFFICE	CPT	VB	PGWB	PGWB	PGWB	PGWB	ACT 2x4 (2x2 REVEAL)	9'-0"	-
117	OFFICE	CPT	VB	PGWB	PGWB	PGWB	PGWB	ACT 2x4 (2x2 REVEAL)	9'-0"	-
118	AP OFFICE	CPT	VB	PGWB	PGWB	PGWB	PGWB	ACT 2x4 (2x2 REVEAL)	9'-0"	-
119	KITCHEN / BREAK ROOM	VCT	VB	PGWB	PGWB	PGWB	PGWB	ACT 2x4 (2x2 REVEAL)	9'-0"	-
120	JANITOR CLOSET	VCT	VB	PGWB	PGWB	PGWB	PGWB	ACT 2x4 (2x2 REVEAL)	8'-0"	-
121	NETWORK	CPT	VB	PGWB	PGWB	PGWB	PGWB	ACT 2x4 (2x2 REVEAL)	8'-0"	-
122	CORRIDOR	CPT	VB	PGWB	PGWB	PGWB	PGWB	ACT 2x4 (2x2 REVEAL)	9'-0"	-
123	OFFICE	CPT	VB	PGWB	PGWB	PGWB	PGWB	ACT 2x4 (2x2 REVEAL)	9'-0"	-
124	OFFICE	CPT	VB	PGWB	PGWB	PGWB	PGWB	ACT 2x4 (2x2 REVEAL)	9'-0"	-
125	OFFICE	CPT	VB	PGWB	PGWB	PGWB	PGWB	ACT 2x4 (2x2 REVEAL)	9'-0"	-
126	OFFICE	CPT	VB	PGWB	PGWB	PGWB	PGWB	ACT 2x4 (2x2 REVEAL)	9'-0"	-
127	OFFICE	CPT	VB	PGWB	PGWB	PGWB	PGWB	ACT 2x4 (2x2 REVEAL)	9'-0"	-
128	CONFERENCE ROOM	CPT	VB	PGWB	PGWB	PGWB	PGWB	ACT 2x4 (2x2 REVEAL)	10'-0"	-
129	OFFICE	CPT	VB	PGWB	PGWB	PGWB	PGWB	ACT 2x4 (2x2 REVEAL)	9'-0"	-
130	OFFICE	CPT	VB	PGWB	PGWB	PGWB	PGWB	ACT 2x4 (2x2 REVEAL)	9'-0"	-
131	OFFICE	CPT	VB	PGWB	PGWB	PGWB	PGWB	ACT 2x4 (2x2 REVEAL)	9'-0"	-
132	CORRIDOR	CPT	VB	PGWB	PGWB	PGWB	PGWB	ACT 2x4 (2x2 REVEAL)	9'-0"	-
133	UNISEX	SV	VB 6"	PMR/PGWB	PMR/PGWB	PMR/PGWB	PMR/PGWB	VF/ACT 2x4 (2x2 REVEAL)	8'-0"	-
134	OFFICE	CPT	VB	PGWB	PGWB	PGWB	PGWB	ACT 2x4 (2x2 REVEAL)	9'-0"	-
135	OPEN	CPT	VB	PGWB	PGWB	PGWB	PGWB	ACT 2x4 (2x2 REVEAL)	12'-0"	-
136	EXISTING OFFICE	EXIST	EXISTING	EXISTING	EXISTING	EXISTING	EXISTING	EXISTING	EXISTING	-
137	EXISTING OFFICE	EXIST	EXISTING	EXISTING	EXISTING	EXISTING	EXISTING	EXISTING	EXISTING	-
201	STORAGE	SC	VB	PGWB	PGWB	PGWB	PGWB	ACT 2x4	-	MATCH EXISTING
202	WALK IN FREEZER	SC	-	-	-	-	-	-	-	DROP CEILING ABOVE VERIFY W/ G.C.
203	EXISTING KITCHEN	EXIST	EXISTING	EXISTING	EXISTING	EXISTING	EXISTING	EXISTING	-	-
204	TIME CLOCK / COAT ROOM	SC	VB	PGWB	PGWB	PGWB	PGWB	ACT 2x4	-	MATCH EXISTING
205	2ND OFFICE	REUSE EXIST. CPT	VB	PGWB	PGWB	PGWB	PGWB	ACT 2x4	-	MATCH EXISTING
206	PEG'S OFFICE	REUSE EXIST. CPT	VB	PGWB	PGWB	PGWB	PGWB	ACT 2x4	-	MATCH EXISTING
207	EXISTING UNISEX	EXIST	EXISTING	EXISTING	EXISTING	EXISTING	EXISTING	EXISTING	-	-
208	EXISTING UTILITY	EXIST	EXISTING	EXISTING	EXISTING	EXISTING	EXISTING	EXISTING	-	-

FINISH KEY:

FLOOR	BASE	WALLS	CEILING
CPT CARPET	VB 4" VINYL BASE	PGWB PAINTED GWB	ACT ACOUSTICAL CEILING TILE
SV SHEET VINYL	GTB QUARRY TILE BASE	PMR/PGWB PAINTED MOISTURE RESISTANT GWB	VF/ACT VINYL FACED ACT
VCT VINYL COMPOSITION TILE	CTB CERAMIC TILE BASE	VNC VINYL WALL COVERING	PGWB PAINTED GWB
QT QUARRY TILE	FRP/PGWB FIBERGLASS WALL PANEL	PMR/PGWB PAINTED MOISTURE RESISTANT GWB	EX EXPOSED
CT CERAMIC TILE	PMR PAINTED MASONRY WALL		
SC SEALED CONCRETE	PCM PAINTED CONCRETE WALL		
LF LAMINATE FLOORING			



HOLLOW METAL / STUD



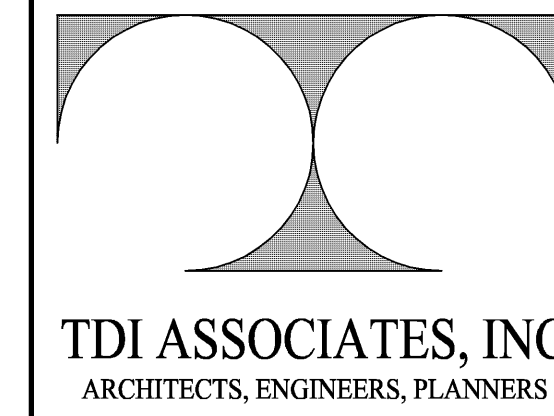
HM. / MTL STUD @ B. LITE

DOOR FRAME DETAILS

1/2" = 1'-0"

BORROWED LITE FRAME DETAILS

1/2" = 1'-0"



N8 W22350 JOHNSON DRIVE, SUITE B4
WAUKESHA, WISCONSIN 53186
PHONE 262-437-0400 FAX 262-437-0401



MARINE BANK / 4 PIS IN A POD
 1930-D WEST BLUEMOUND ROAD
 WAUKESHA, WISCONSIN

TDI ASSOCIATES, INC
All Rights Reserved

OWNERSHIP OF DOCUMENTS
This document, and the ideas and design incorporated herein, as an instrument of professional service, is the sole property of TDI Associates, Inc., and is not to be used in whole or in part for any other project or purpose without the expressed written authorization of TDI Associates, Inc.

Sheet Title
DOOR & ROOM FINISH SCHEDULES & DOOR TYPES

Issued For: Date:
PERMIT SET **04-01-2010**
CONST. SET **04-27-2010**

Date: **08-25-2010**
Job NO.: **02-457.003**
Drawn By: **RJH**

Sheet No.
A7.1