

C-WP-B-RDC Series
Cut-off LED Wall Pack
Front of Building Fixture B



OFF THE WALL SAVINGS
Our off-the-wall C-Lite Cut-off LED Wall Pack delivers up to 25,000 lumens and is available in 4000K and 5000K. It's dimmable for maximum energy savings, and comes with a 5-year limited warranty. It also comes with a DLC Premium S Lighting.



PRODUCT SPECIFICATIONS

Initial Delivered Lumens: 5000, 20,000 Lumens	Operating Temperature Range: 40°F to 84°F (4°C to 14°C)
CRF: 10	Estimated Life: 100,000 hours
CEC: 400K, 5000K	Power Factor: >0.9
Mounting Height: 12, 25 feet	Total Harmonic Distortion: <20%
Input Power: CEC 220W/400W/700W/900W	Unlimited Warranty: 5 Year*
Dimmable: Yes, 0-10V	Replaces up to 1600 PSFM

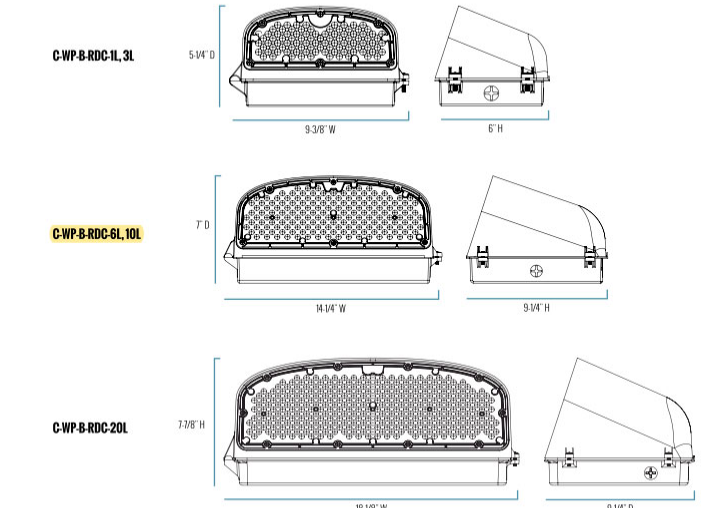
FEATURE	RECOMMENDATION	NOTY REQUIRED
Replaces up to 1600 PSFM	Security: Perimeter	Universal LED through 270° (variable)
160° beam spread	Commercial	
Construction friendly install		

ORDERING INFORMATION
Product: C-WP-B-RDC-4000

QTY	DESCRIPTION	UNIT PRICE	TOTAL
1	C-WP-B-RDC-4000	10600	10600
1	C-WP-B-RDC-1L-40K-DB	1671	1671



C-WP-B-RDC Series



SERIES OVERVIEW

DESCRIPTION	PRODUCT WEIGHT	Mounting Height	RECOMMENDED SPACING
C-WP-B-RDC-1L-40K-DB	2.8 lbs	12-25 feet	
C-WP-B-RDC-1L-40K-DB	2.8 lbs	12-25 feet	
C-WP-B-RDC-1L-40K-DB	5.0 lbs	12-25 feet	2 to mounting height
C-WP-B-RDC-1L-40K-DB	6.0 lbs	12-25 feet	
C-WP-B-RDC-1L-40K-DB	10.0 lbs	12-25 feet	

C-WP-B-RDC Series
Cut-off LED Wall Pack
Rear Service Door



OFF THE WALL SAVINGS
Our off-the-wall C-Lite Cut-off LED Wall Pack delivers up to 25,000 lumens and is available in 4000K and 5000K. It's dimmable for maximum energy savings, and comes with a 5-year limited warranty. It also comes with a DLC Premium S Lighting.



PRODUCT SPECIFICATIONS

Initial Delivered Lumens: 5000, 20,000 Lumens	Operating Temperature Range: 40°F to 84°F (4°C to 14°C)
CRF: 10	Estimated Life: 100,000 hours
CEC: 400K, 5000K	Power Factor: >0.9
Mounting Height: 12, 25 feet	Total Harmonic Distortion: <20%
Input Power: CEC 220W/400W/700W/900W	Unlimited Warranty: 5 Year*
Dimmable: Yes, 0-10V	Replaces up to 1600 PSFM

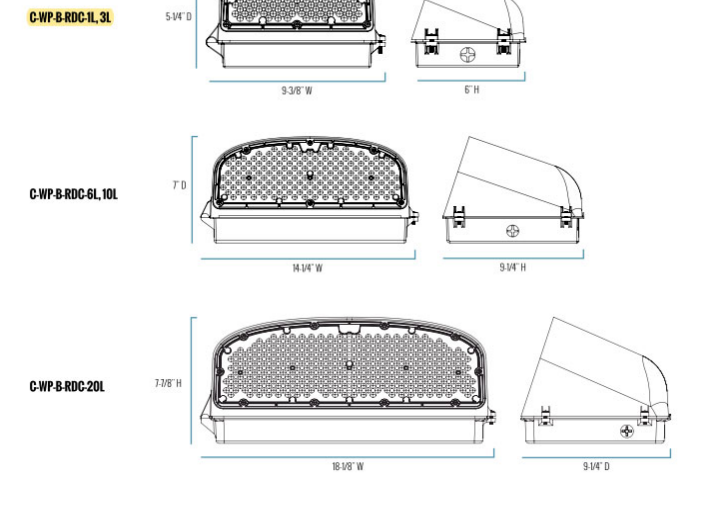
FEATURE	RECOMMENDATION	NOTY REQUIRED
Replaces up to 1600 PSFM	Security: Perimeter	Universal LED through 270° (variable)
160° beam spread	Commercial	
Construction friendly install		

ORDERING INFORMATION
Product: C-WP-B-RDC-4000

QTY	DESCRIPTION	UNIT PRICE	TOTAL
1	C-WP-B-RDC-4000	10600	10600
1	C-WP-B-RDC-1L-40K-DB	1671	1671



C-WP-B-RDC Series



SERIES OVERVIEW

DESCRIPTION	PRODUCT WEIGHT	Mounting Height	RECOMMENDED SPACING
C-WP-B-RDC-1L-40K-DB	2.8 lbs	12-25 feet	
C-WP-B-RDC-1L-40K-DB	2.8 lbs	12-25 feet	
C-WP-B-RDC-1L-40K-DB	5.0 lbs	12-25 feet	2 to mounting height
C-WP-B-RDC-1L-40K-DB	6.0 lbs	12-25 feet	
C-WP-B-RDC-1L-40K-DB	10.0 lbs	12-25 feet	

C-WP-B-RDC Series

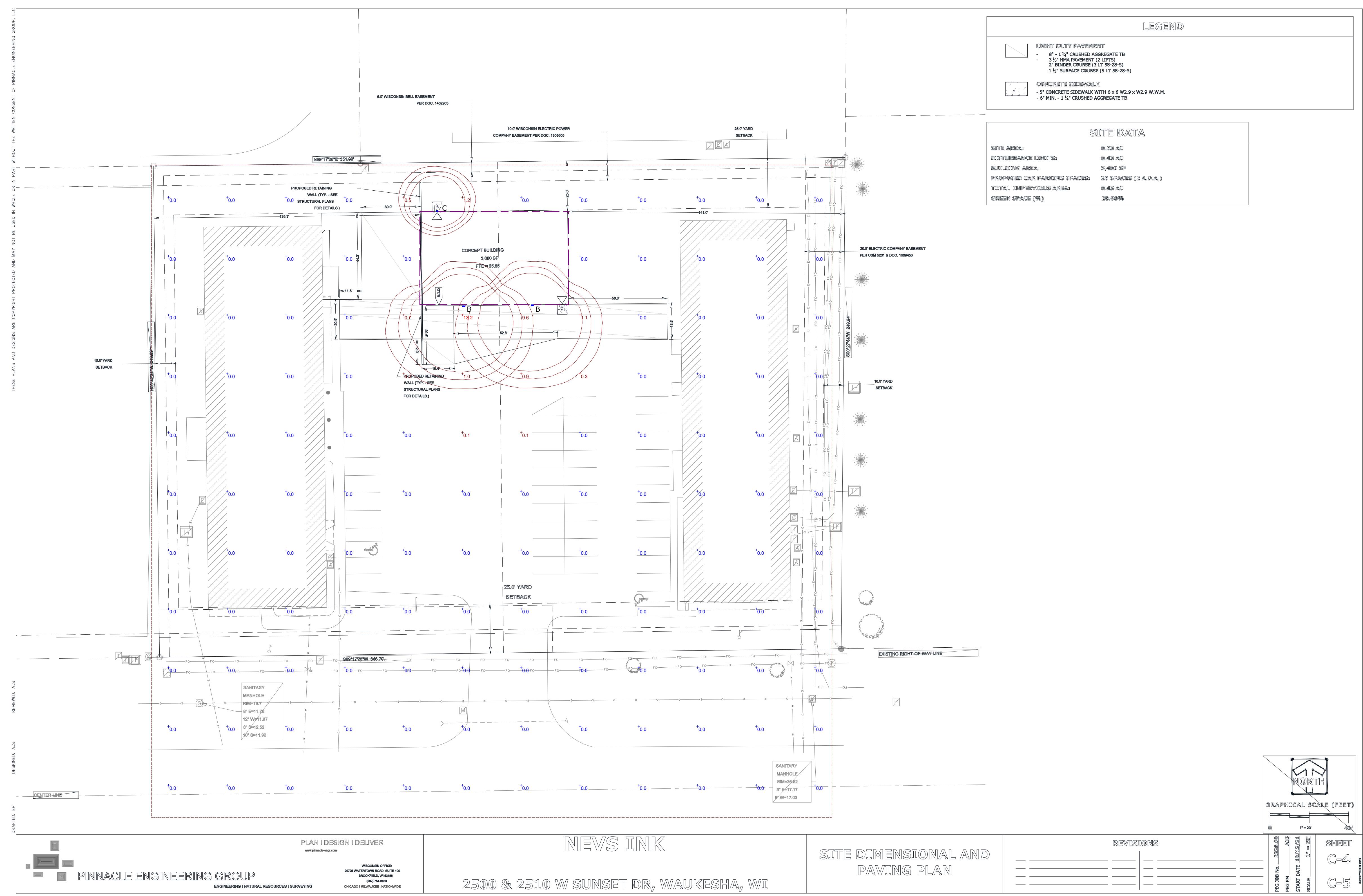


Statistics

Description	Symbol	Avg	Max	Min	Max/Min	Avg/Min
Calc Zone #1	+	0.2 fc	13.2 fc	0.0 fc	N/A	N/A

Schedule

Symbol	Label	Image	QTY	Manufacturer	Catalog Number	Description	Lamp	Number Lamps	Filename	Lumens per Lamp	Lumen Multiplier	LLF	Wattage	Efficiency	Distribution	Polar Plot	Notes
B			2	C-Lite		C-WP-B-RDC-10L-40K-DB		1	c-wp-b-rdc-10l-40k-db-ies	10600	1	1	76.4	100%			
C			1	C-Lite		C-WP-B-RDC-1L-40K-DB	N/A	1	c-wp-b-rdc-1l-40k-db-ies	1671	1	1	12.1	100%			



Pinnacle Engineering Group
 ENGINEERING | NATURAL RESOURCES | SURVEYING
 WISCONSIN OFFICE: 2074 WATERVIEW ROAD, SUITE 100, BROOKFIELD, WI 53005, (262) 794-4444, (262) 794-4444
NEVS INK
 2500 & 2510 W SUNSET DR, WAUKESHA, WI
SITE DIMENSIONAL AND PAVING PLAN
 REVISIONS: [Table with 2 columns: Description, Date]
 SHEET: C-4, C-5
 PROJECT No.: 2024-001
 DATE: 08/23/24
 SCALE: 1/4" = 10'
 NORTH arrow pointing up.

www.pinnacle-engr.com

FOR REVIEW ONLY

SITE DIMENSIONAL AND PAVING PLAN

Nevs Inc.
 Exterior Lighting Plan
 2500 & 2510 W Sunset Drive, Waukesha WI
 Designer
 Date: 10/25/2024
 Scale: Not to Scale
 Drawing No.
 Summary
1 of 1