

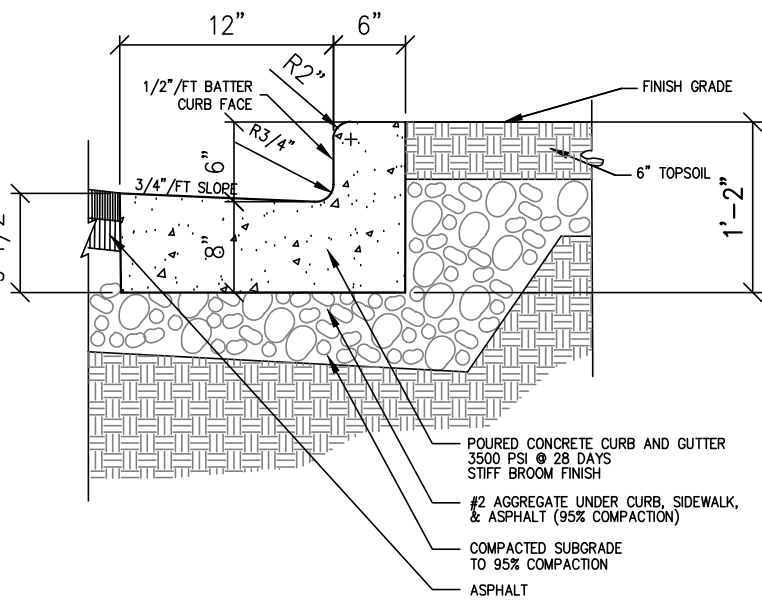
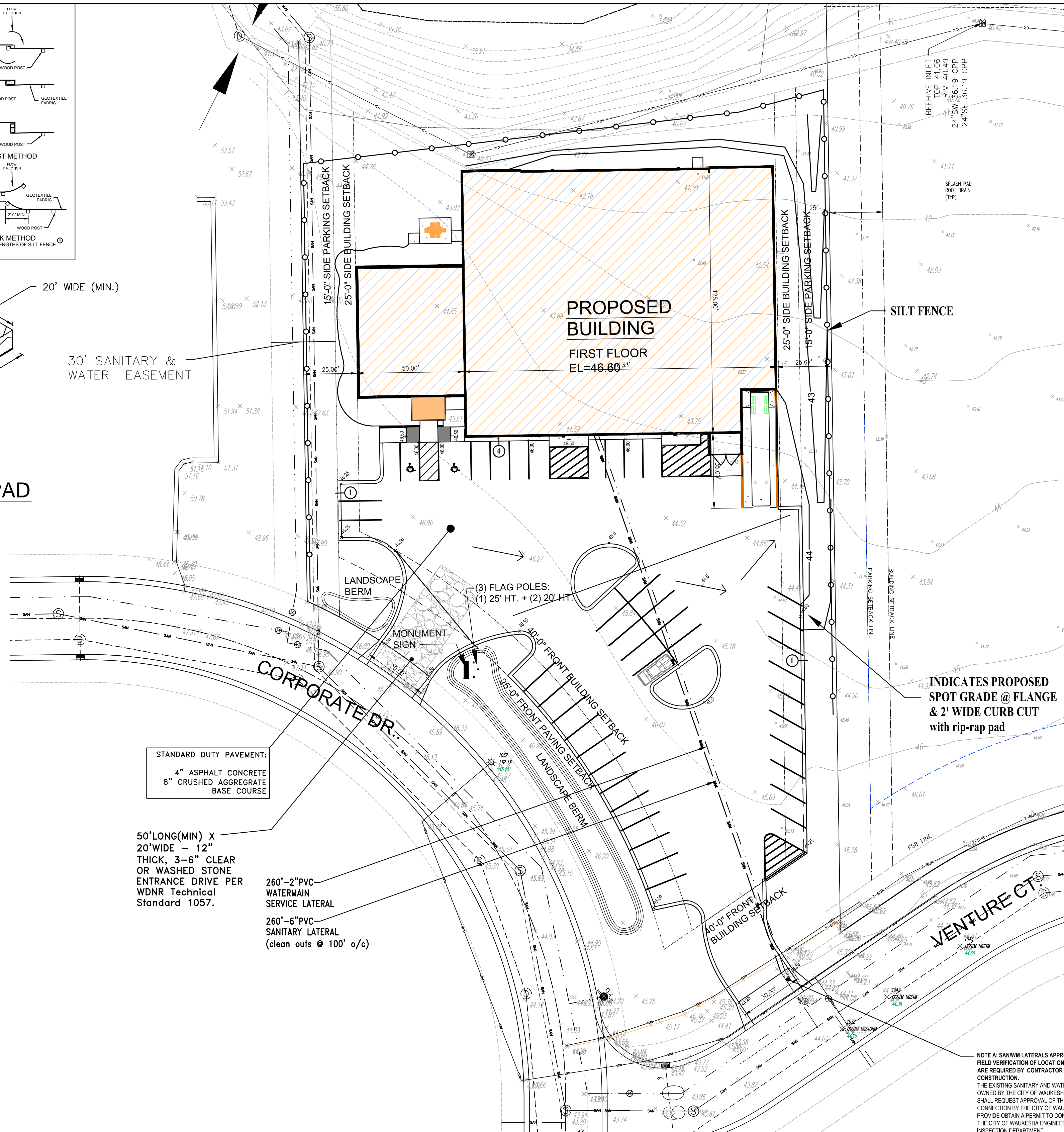
THE UNDERGROUND UTILITY INFORMATION AS SHOWN HEREON IS BASED, IN PART, UPON INFORMATION FURNISHED BY UTILITY COMPANIES AND THE LOCAL MUNICIPALITY. WHILE THIS INFORMATION IS BELIEVED TO BE RELIABLE, ITS ACCURACY AND COMPLETENESS CANNOT BE GUARANTEED NOR CERTIFIED TO.

SURVEY NOTE:
THE EXISTING BOUNDARY & TOPOGRAPHIC SURVEY SHOWN HEREON WAS PROVIDED BY SEH, DATED AUGUST 2017.

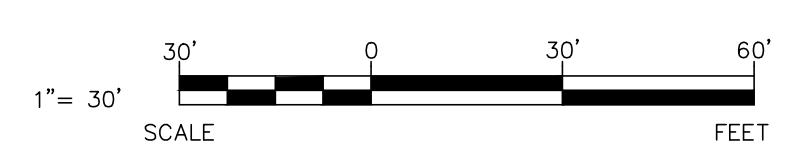
PRIVATE WATER MAIN, SANITARY & STORM SEWER SPECIFICATIONS:

- All work shall be in accordance with the Standard Specifications for Highway and Structure Construction, State of Wisconsin, Latest Edition; the State of Wisconsin Standard Specifications for Sewer and Water Construction in Wisconsin, the State of Wisconsin Department of Safety and Professional Services Plumbing Code; and the City of Waukesha Ordinances.
- The private water main, sanitary & storm sewer design, permitting, construction, installation, supervision, maintenance, inspection AND testing shall be in accordance with State of Wisconsin, Chapter SPS 382. All permits must be obtained by the contractor prior to commencing work.
- Private sanitary laterals shall be PVC (solid wall), ASTM D-3034, DR-35 or 28; or PVC (solid wall), AWWA C-900 per the State of Wisconsin Plumbing Code, Chapter SPS 382 and the Standard Specifications for Sewer & Water Construction in Wisconsin.
- Private Water main laterals shall be PVC (solid wall), AWWA C-900, CLASS 235, DR-18 with Push-On type integral elastomeric bell-spigot joints per the State of Wisconsin Plumbing Code, Chapter SPS 382 AND the Standard Specifications for Sewer & Water Construction in Wisconsin.
- Private Storm Sewers shall be PVC (solid wall), DR-26 OR HDPE, per the State of Wisconsin Plumbing Code, Chapter SPS 382. Storm manholes shall be precast concrete in accordance with File No. 26 of the Standard Specifications for Sewer & Water Construction in Wisconsin with a Neenah No. R2471 frame & grate (open cover). Manhole diameter sized per File No. 12. Storm inlets shall be precast concrete box structures in accordance with File No. 29 of the Standard Specifications for Sewer & Water Construction in Wisconsin with a Neenah No. R3227-C frame & grate or EQUAL.

NOTE: TRACER WIRE REQUIRED ON ALL NEW MAINS.



18" CONCRETE CURB & GUTTER 1
NO SCALE C100



ELLENA ENGINEERING CONSULTANTS, LLC
SITE CIVIL ENGINEERING & STORMWATER MANAGEMENT

Ellena Engineering Consultants, LLC • 700 Pilgrim Parkway • Suite 100 • Elm Grove, WI 53122
Phone: 262-719-6183 • Fax: 866-457-2584 • Email: mellen@eeceng.com

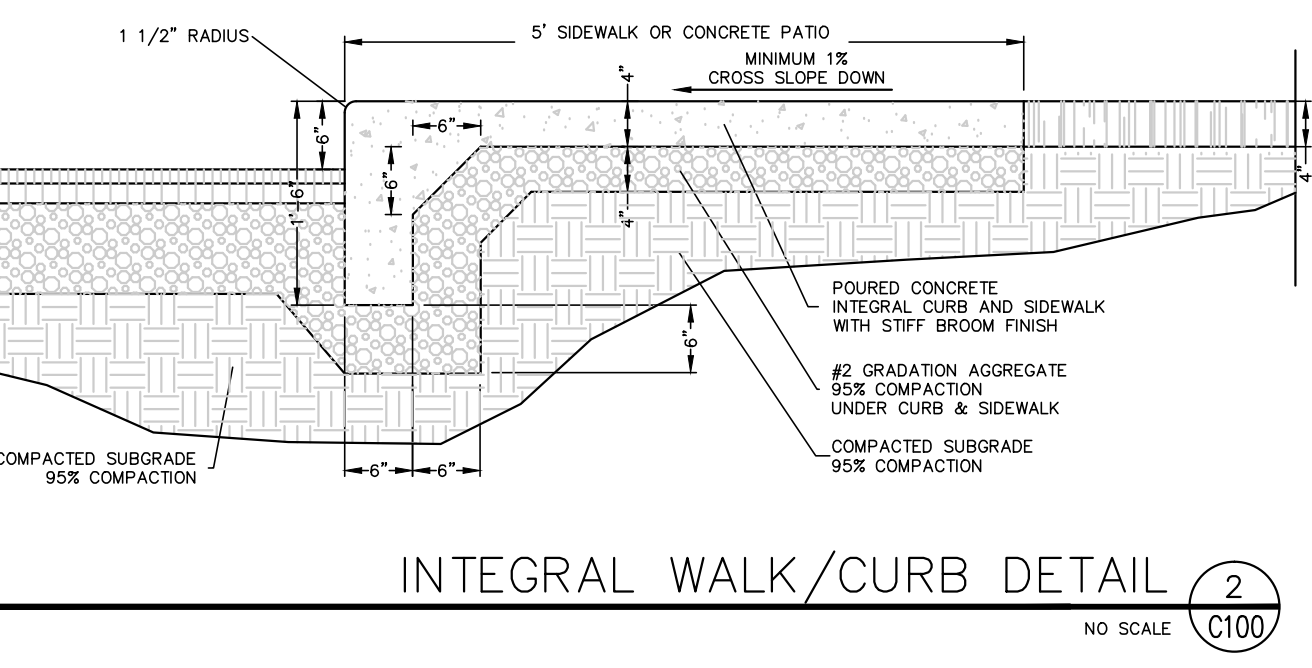
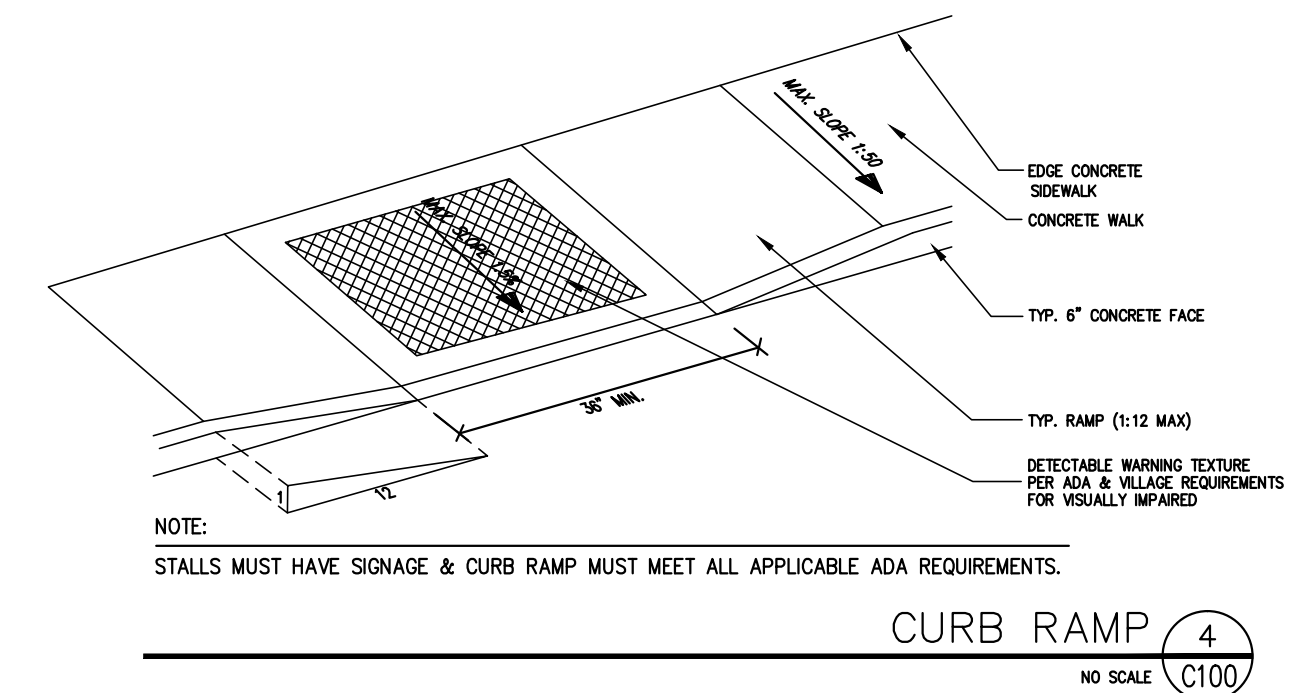
CONSTRUCTION PHASING SEQUENCING:
THE CONTRACTOR MUST FOLLOW THE FOLLOWING CONSTRUCTION SEQUENCE AS REQUIRED BY THE WDNR AND THE CITY OF WAUKESHA.

- INSTALL GRAVEL CONSTRUCTION ENTRANCE AS SHOWN ON THE PLAN (TRACKING PAD).
- INSTALL SILT FENCE AND INLET PROTECTION IN ALL EXISTING INLETS ADJACENT TO SITE AND PROPOSED INLETS ON-SITE. INLET PROTECTION SHALL BE IN ACCORDANCE WITH THE WDNR TECHNICAL STANDARD 1060 (TYPE B & D).
- STRIP TOPSOIL FROM THE STRUCTURAL AREAS AND STOCKPILE AS SHOWN WITH SILT FENCE BOUNDARY. THE TOPSOIL PILE REQUIRES TEMPORARY STABILIZATION IF LEFT INACTIVE FOR MORE THAN 14 DAYS.
- CONSTRUCT STORM SEWER AND SAN/WM LATERALS.
- COMPLETE BUILDING, PARKING LOT, WALKS & LANDSCAPE AREAS.
- TOPSOIL, RE-VEGETATE AND STABILIZE ALL REMAINING DISTURBED AREAS.
- AFTER ALL DISTURBED AREAS ARE WELL-ESTABLISHED AND FOLLOWING FINAL AS-BUILT ACCEPTANCE BY THE VILLAGE, REMOVE ALL SILT FENCE AND ANY OTHER TEMPORARY BMP'S.

CONSTRUCTION SCHEDULE: START DATE: JUNE 2018
COMPLETION DATE: NOVEMBER 2018

GENERAL CONSTRUCTION SPECIFICATIONS:

- All work shall be in accordance with the Standard Specifications for Highway and Structure Construction, State of Wisconsin, Latest Edition, and the City of Waukesha Ordinances and the State of Wisconsin Standard Specifications for Sewer and Water Construction in Wisconsin and the design, construction, installation, supervision, maintenance and inspection of plumbing in accordance with State of Wisconsin, Chapter SPS 382. All permits must be obtained by the contractor prior to commencing work.
- All erosion control measures specified on the project Erosion Control Plan shall meet the design criteria, standards and specifications as set forth in the Department of Natural Resources Wisconsin Technical Standards.
- All erosion control devices (i.e., silt fence, gravel entrance, inlet protection, etc.) shall be installed prior to commencing mass grading or utility construction.
- All activities on the site shall be conducted in a logical sequence to minimize the area of bare soil exposed at any one time.
- The general contractor shall provide all surveying and construction staking for this contract. All contractors shall exercise care and diligence in protecting the same.
- The contractor shall notify Diggers Hotline, the local municipality and all government agencies that may be affected by the contractor's operations at least three (3) days before breaking ground. Diggers Hotline number is 811.
- Public roads shall not be closed to traffic at any time. All ingress and egress traffic to the project shall be limited to the gravel entrance to the property.
- Contractor shall be responsible for maintaining the Public Roadways. The Public Roadways adjacent to this project shall be kept free of silt or dirt tracked from areas under construction by sweeping at the end of each work day or more often, as required. Dust generated by construction activities shall be minimized by use of watering, construction scheduling or other appropriate methods.
- Upon completion of the work as specified, respread four (4") inches of salvaged topsoil over all disturbed open space areas outside of the proposed roadway and provide seed, fertilizer and mulch per the Standard Specifications.
- All disturbed areas shall be revegetated within seven days of no disturbance. Highway mix #40 shall be used for seeding with an application rate of 4.0 lbs/1000 sf.
- All erosion control devices shall be routinely inspected every seven days or within 24 hours of a rainfall greater than 0.5 inches. (By GENERAL CONTRACTOR).
- If permanent seeding is not completed by September 15, apply temporary seeding. If temporary seeding is not completed by October 15, erosion control matting or other Village approved method shall be applied to inactive disturbed soils between October 15th and May 1st as a temporary soil stabilization measure during the non-growing season.



Keller
PLANNERS | ARCHITECTS | BUILDERS

FOX CITIES
4216 State Road 55 P.O. Box 620
Kaukauna, WI 54130
PHONE (920) 766-5795 or 1-800-236-2534
FAX (920) 766-5004

MILWAUKEE
W177 N856 Rivercrest Dr.
Suite 314
Germantown, WI 53022
PHONE (262) 250-9710
1-800-236-2534
FAX (262) 250-9740

WAUSAU
2620 Stewart Avenue
Suite 314
Wausau, WI 54401
PHONE (715) 849-3174
1-800-236-2534
FAX (715) 849-3181

www.kellerbuilds.com

PROPOSED FOR:

SOFTWATER

CITY OF WAUKESHA

"COPYRIGHT NOTICE"
This design, drawing and detail is the copyrighted property of KELLER, INC. No part hereof shall be copied, duplicated, distributed, disclosed or made available to anyone without the expressed written consent of KELLER, INC.

PROJECT MANAGER: J. DALLAS

ARCHITECT:

DRAWN BY:

EXPEDITOR:

SUPERVISOR:

PRELIMINARY NO:

CONTRACT NO:

DATE: 03-26-18

SHEET: C100

GRADING, PAVING & UTILITY PLAN