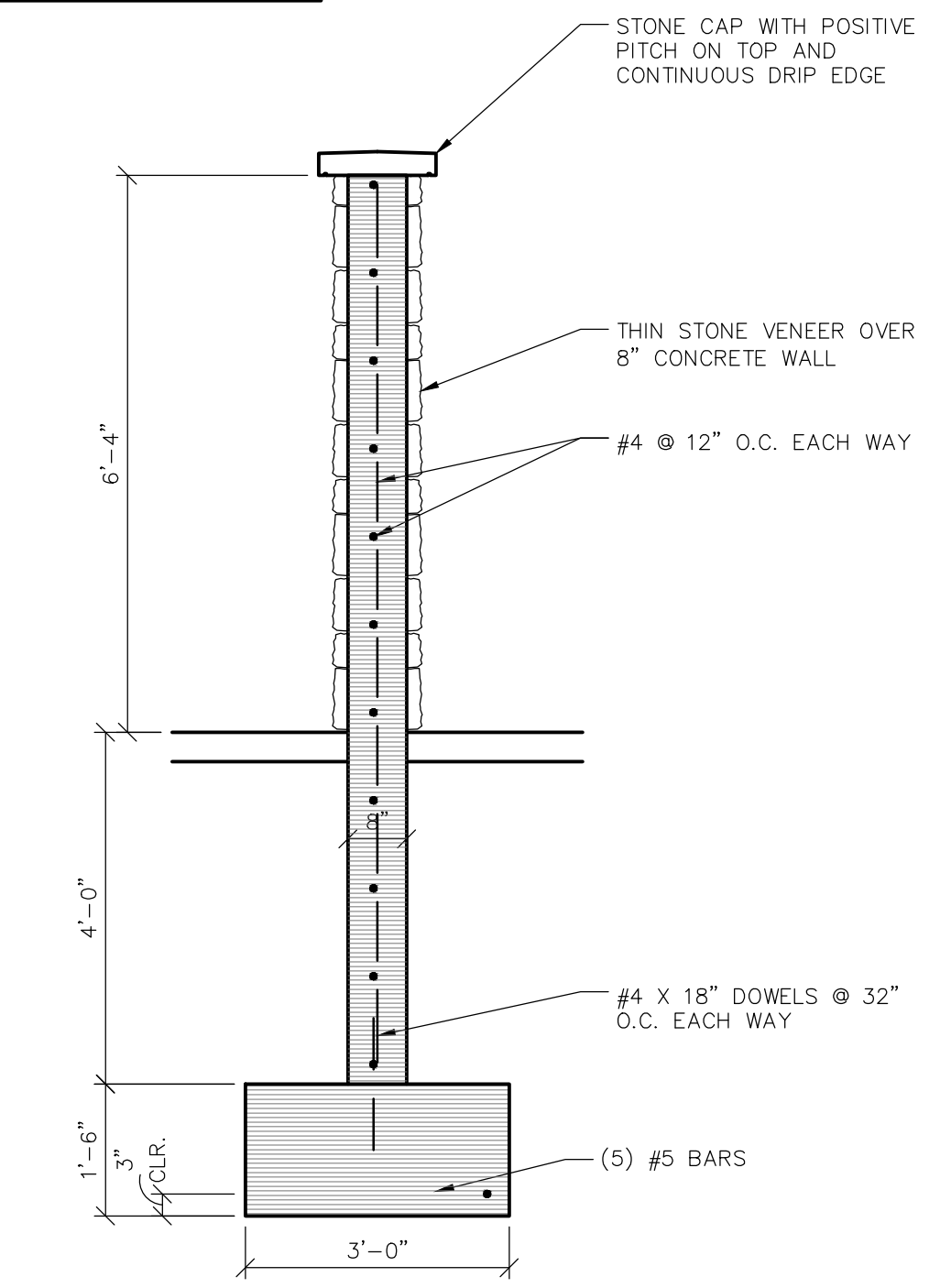
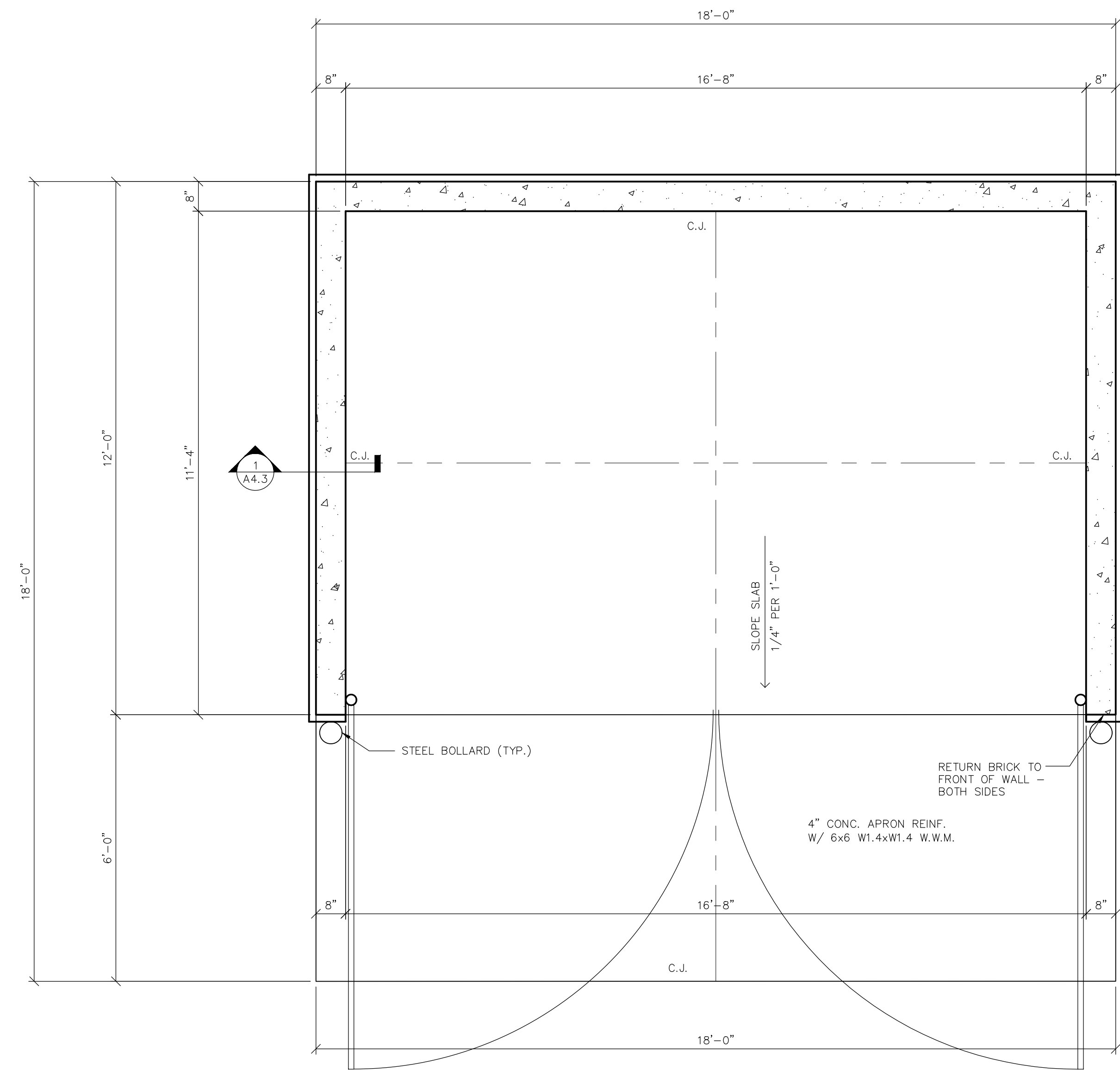


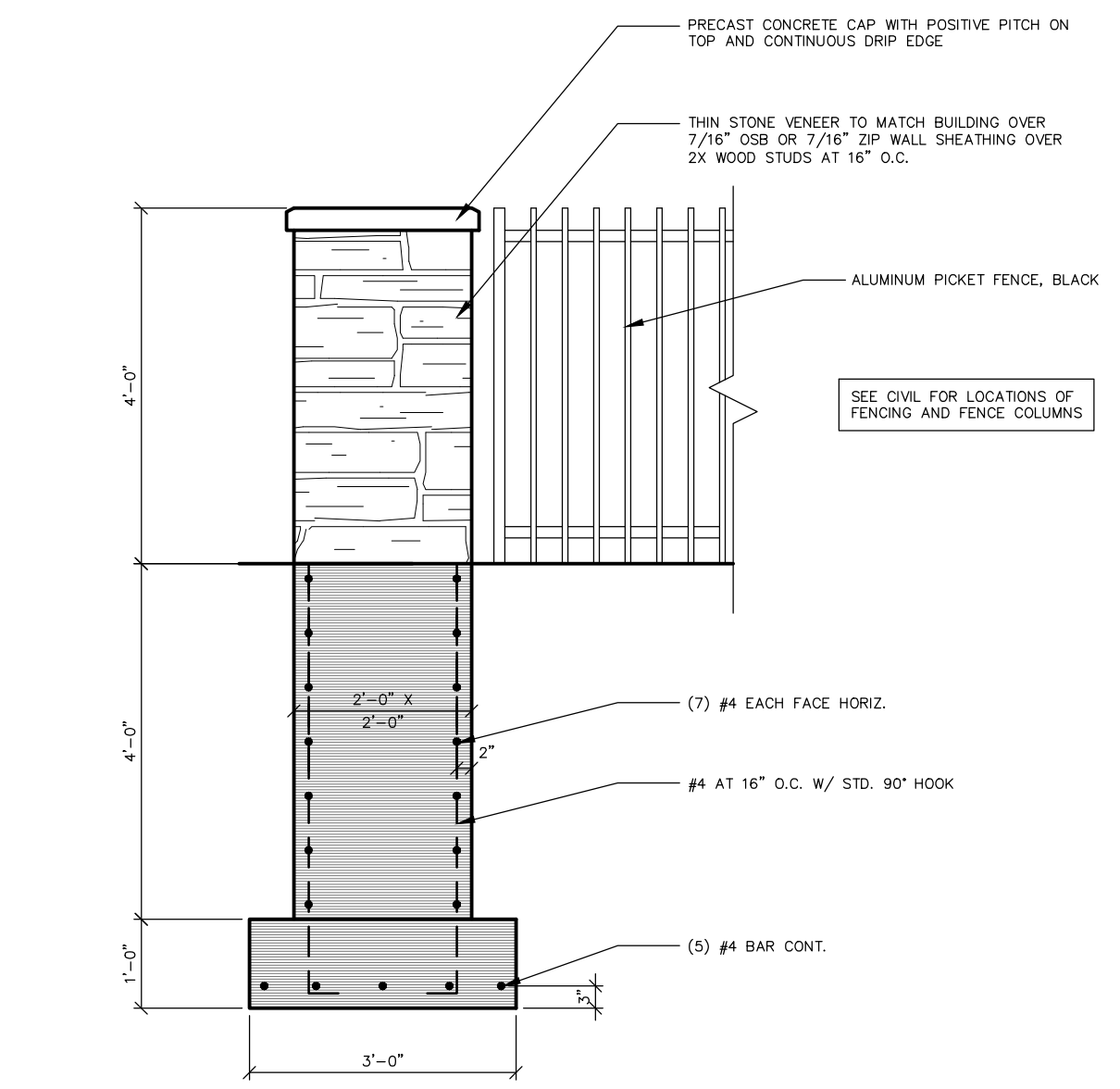
2 SECTION AT PATIO SCREEN WALL
SCALE: 3/4" = 1'-0"



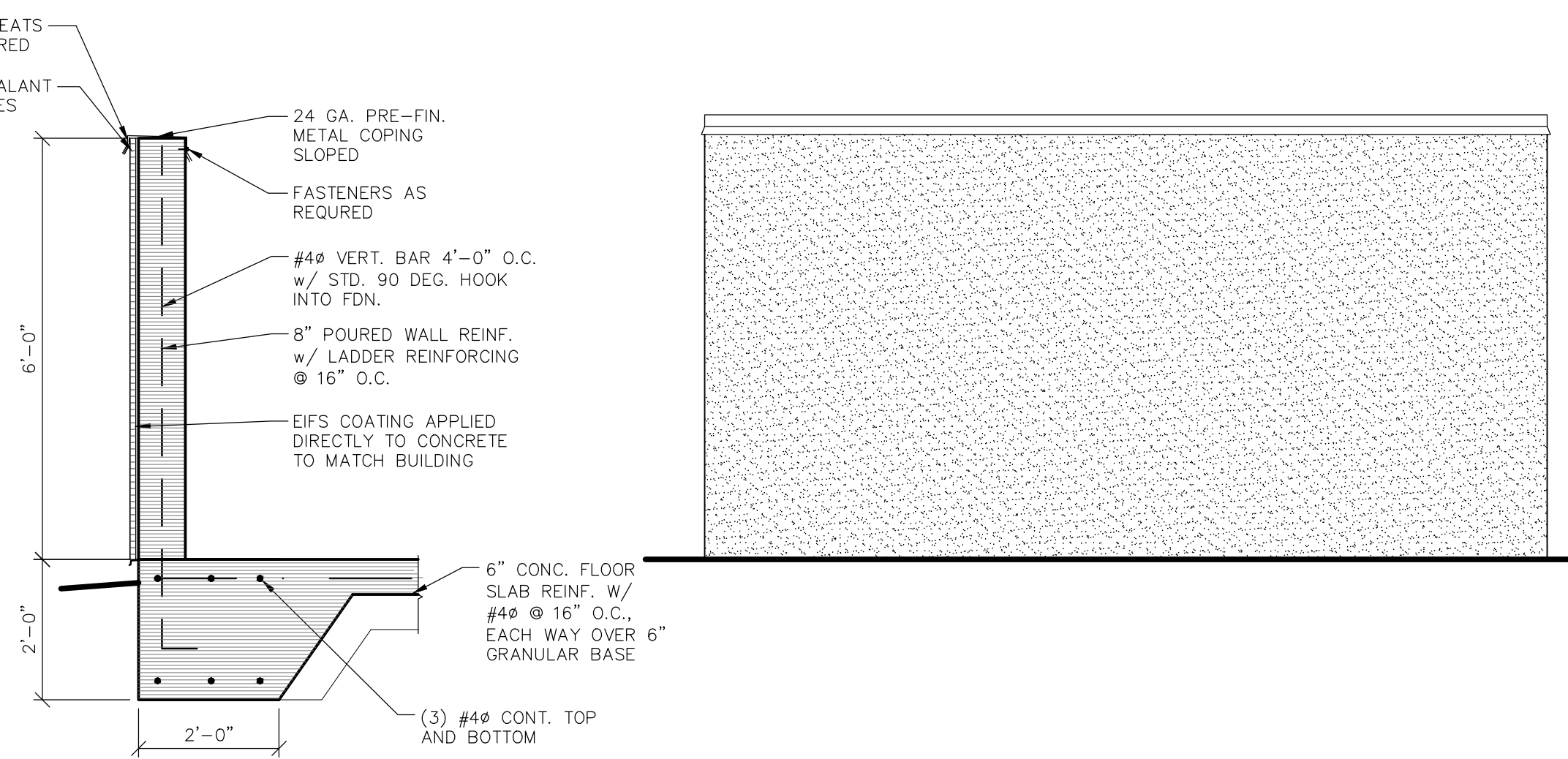
3 SECTION AT PATIO WALL
SCALE: 1/2" = 1'-0"



FLOOR PLAN - DUMPSTER
SCALE: 1/2" = 1'-0"

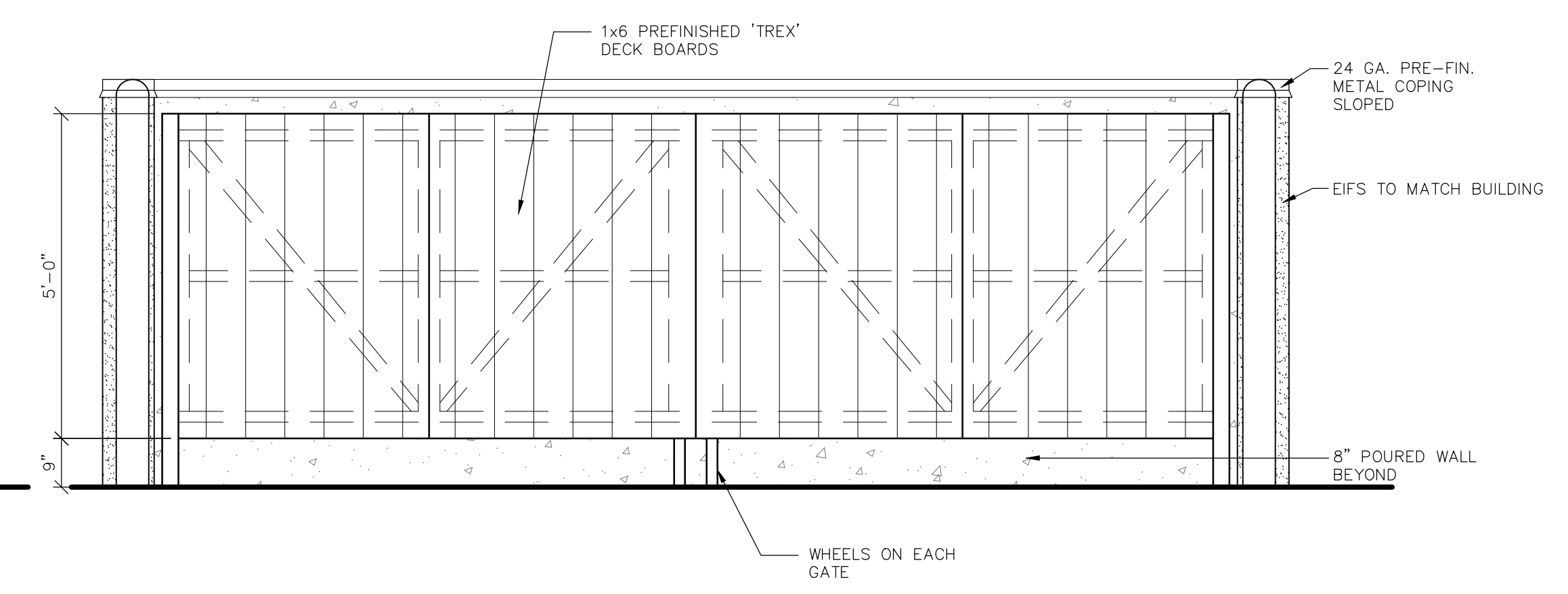


4 FENCE DETAIL
SCALE: 1/2" = 1'-0"



1 SECTION
SCALE: 1/2" = 1'-0"

SIDE ELEVATION - DUMPSTER
SCALE: 1/2" = 1'-0"



FRONT ELEVATION - DUMPSTER
SCALE: 1/2" = 1'-0"