

QUANTITY	SYMBOL	BOTANICAL NAME	COMMON NAME	MATURE SIZE	PLANTING SIZE	TYPE
4	BT	<i>Gleditsia triacanthos 'impale'</i>	Imperial Honeylocust	35'-40'	B / B 2 1/2'	Shade Tree
3	TA	<i>Tilia americana 'Redmond'</i>	Redmond Linden	35'-40'	B / B 2 1/2'	Shade Tree
3	A6	<i>Amelanchier x grandiflora 'Princess Diana'</i>	Princess Diana Serviceberry	15'-20'	B / B 2'	Ornamental Tree
3	SR	<i>Syringa reticulata 'Ivory Silk'</i>	Ivory Silk Tree Lilac	15'-20'	B / B 7' SH	Ornamental Tree
1	PN	<i>Pinus nigra 'Compacta'</i>	Compact Austrian Pine	15' x 8'	B / B 4'	Evergreen Tree
6	TO	<i>Thuja occidentalis 'Holmstrup'</i>	Holmstrup Arborvitae	10' x 5'	B / B 5'	Evergreen Tree
5	AM	<i>Aronia melanocarpa 'Viking'</i>	Viking Black Chokeberry	3'-5'	POT 24"	Deciduous Shrub
62	BT	<i>Berberis thunbergii 'Orange Rocket'</i>	Orange Rocket Barberry	3'-5'	POT 18"	Deciduous Shrub
6	HA	<i>Hydrangea arborescens 'Annabelle'</i>	Annabelle Hydrangea	3'-5'	POT 18"	Deciduous Shrub
6	RA	<i>Ribes alpinum</i>	Alpine Currant	3'-4'	POT 18"	Deciduous Shrub
26	RR	<i>Rosa rugosa 'Dwarf Pavement'</i>	Dwarf Pavement	2'-3'	POT 2 Gal	Deciduous Shrub
61	SG	<i>Spiraea x 'Goldflame'</i>	Goldflame Spiraea	3'-4'	POT 2 Gal	Deciduous Shrub
9	JH	<i>Juniperus horizontalis 'Blue Chip'</i>	Blue Chip Juniper	1' x 4'	POT 2 Gal	Evergreen Shrub
36	JJ	<i>Juniperus sabinna 'Broadmoor'</i>	Broadmoor Juniper	2' x 4'	POT 5 Gal	Evergreen Shrub
24	TM	<i>Taxus x media 'Ryunan'</i>	Ryunan Yew	3' x 5'	POT 18"	Evergreen Shrub
51	CA	<i>Calamagrostis acutiflora 'Karl Foerster'</i>	Karl Foerster Grass	42"-48"	POT 1 Gal	Ornamental Grass
113	HS	<i>Hemerocallis x 'Stella D'oro'</i>	Stella D'oro Daylily	18"-24"	POT 4 1/2"	Perennial

SEED MIX # 1 (Lawn)

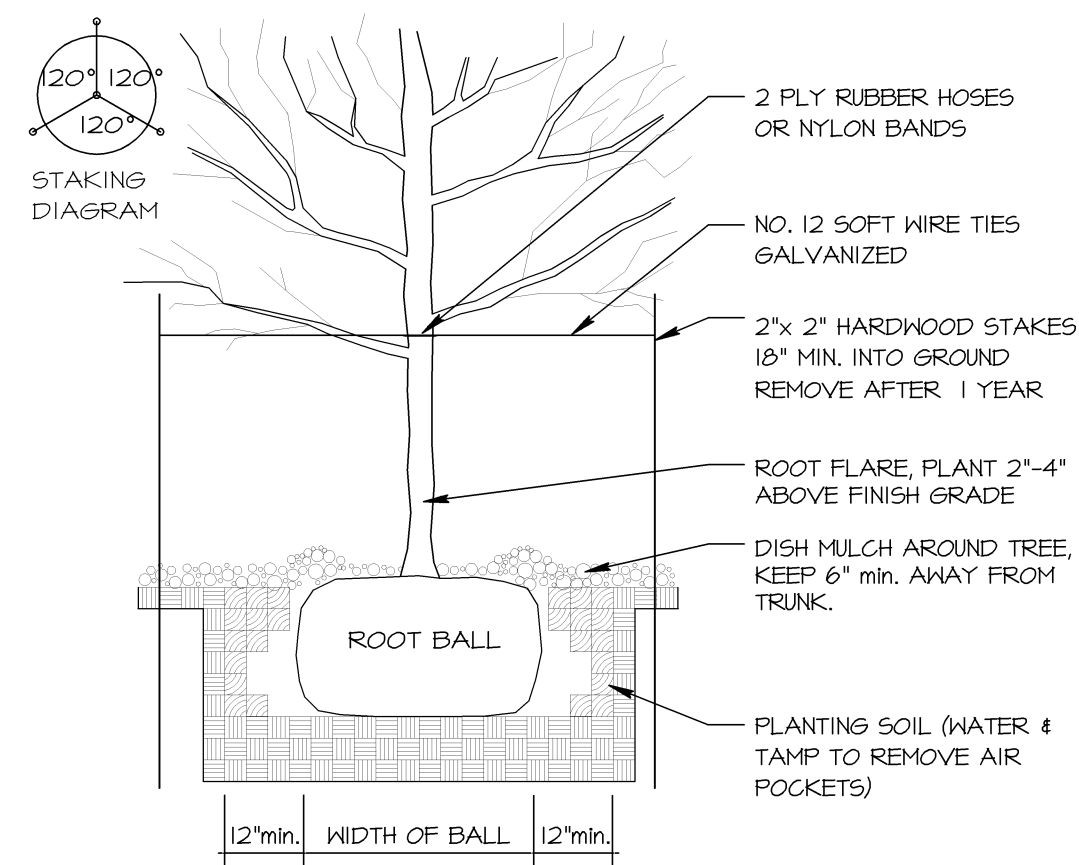
35% KENTUCKY BLUEGRASS
 20% CREEPING RED FESCUE
 20% IMPROVED HARD FESCUE
 25% IMPROVED FINE PERENNIAL RYEGRASS

APPLICATION RATE: 2lbs/1000 Sq. Ft. *
 APPLY STRAW MULCH IMMEDIATELY AFTER SEEDING

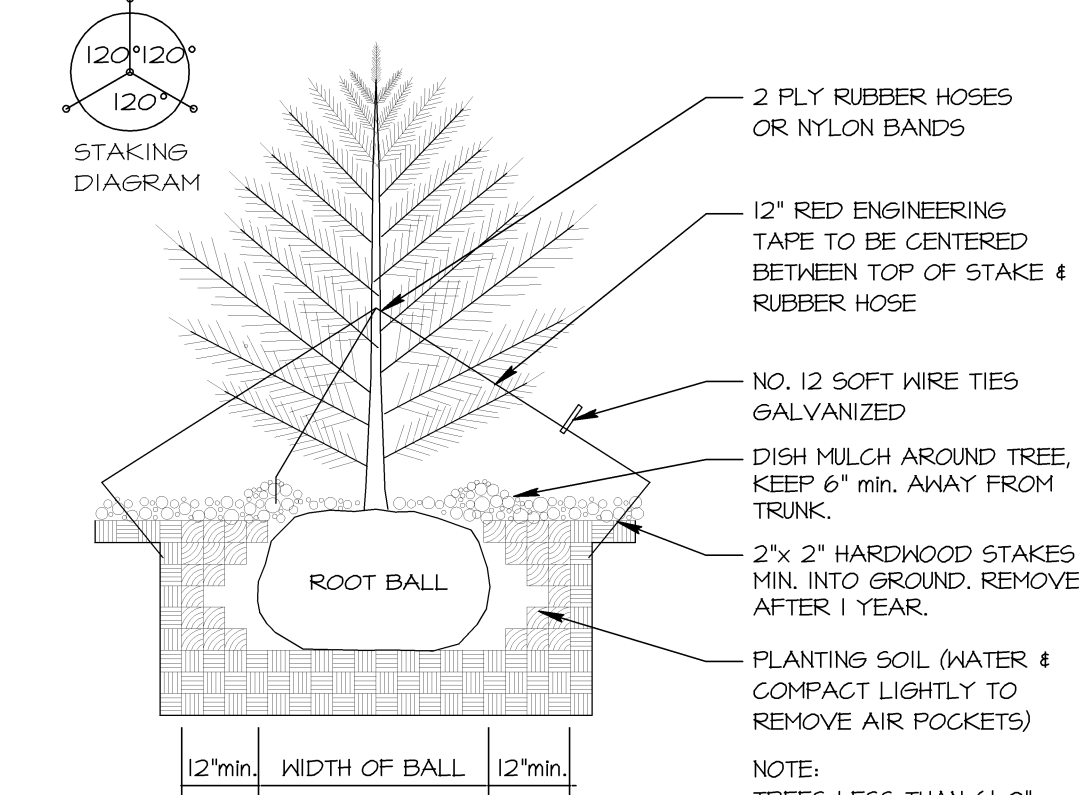
TURF STARTER FERTILIZER, 20-10-10
 APPLICATION RATE: 5lbs/1000 Sq. Ft.

GENERAL NOTES:

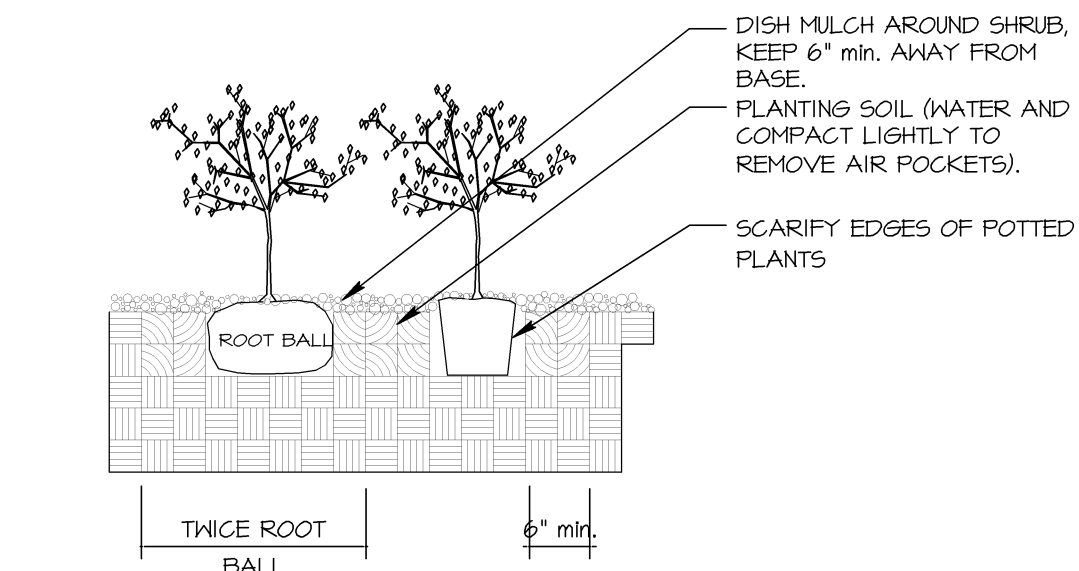
- 1.) ALL FINISHED GRADES TO BE 1" BELOW TOP OF CURBS OR PAVEMENT.
- 2.) BACKFILL AND GRADE ALL PLANTING AREAS WITH MIN. 12" BLENDED TOPSOIL.
- 3.) ALL LAWN AREAS TO BE SEED UNLESS OTHERWISE NOTED.
- 4.) ALL PLANT MATERIAL SHALL CONFORM TO AMERICAN STANDARD FOR NURSERY STOCK.
- 5.) ALL TREES NOT IN A PLANTING BED SHALL BE MULCHED WITH A MINIMUM 1' RADIUS FOR EACH 1 INCH CALIPER. USE SHREDDED HARDWOOD MULCH AT 2" DEPTH.
- 6.) PROVIDE MIN. 2 YEAR WARRANTY ON ALL PLANT MATERIAL.
- 7.) ALL PLANTING BEDS TO BE EDGED WITH COMMERCIAL GRADE PLASTIC EDGING.
- 8.) ALL PLANTING BEDS TO BE MULCHED AT 2" DEPTH WITH HARDWOOD MULCH



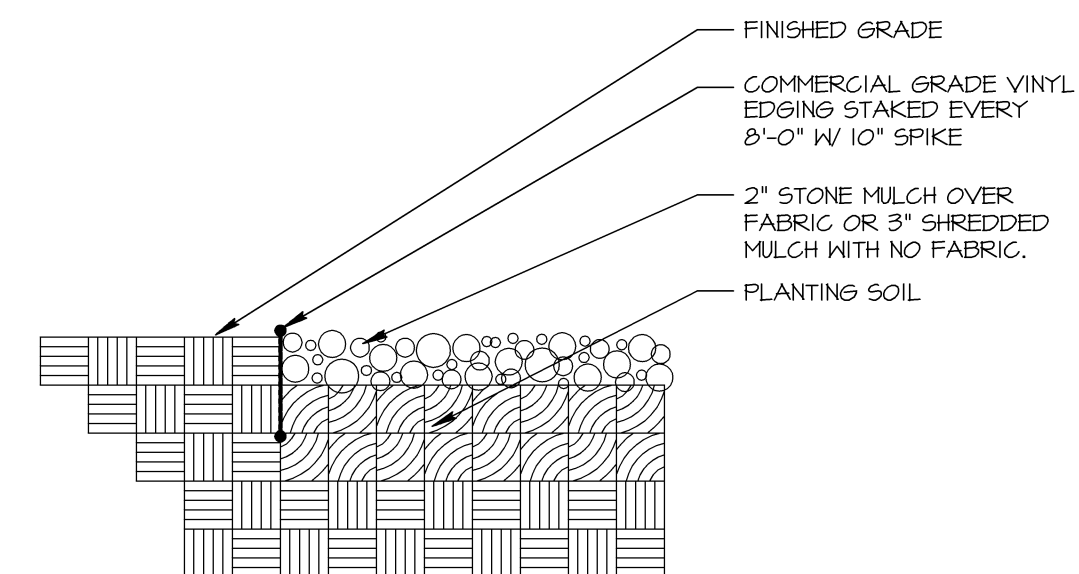
1 DECIDUOUS TREE
N.T.S.



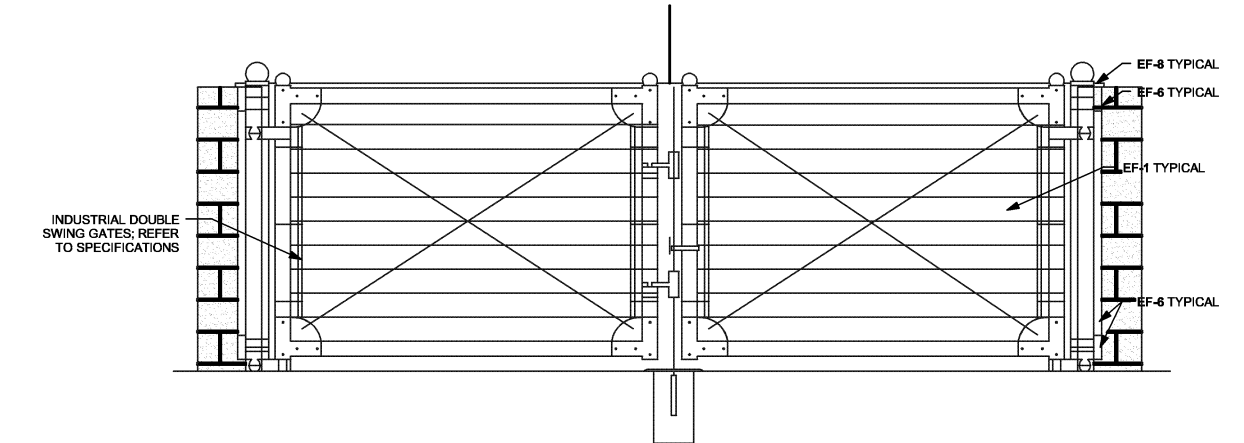
2 CONIFEROUS TREE
N.T.S.



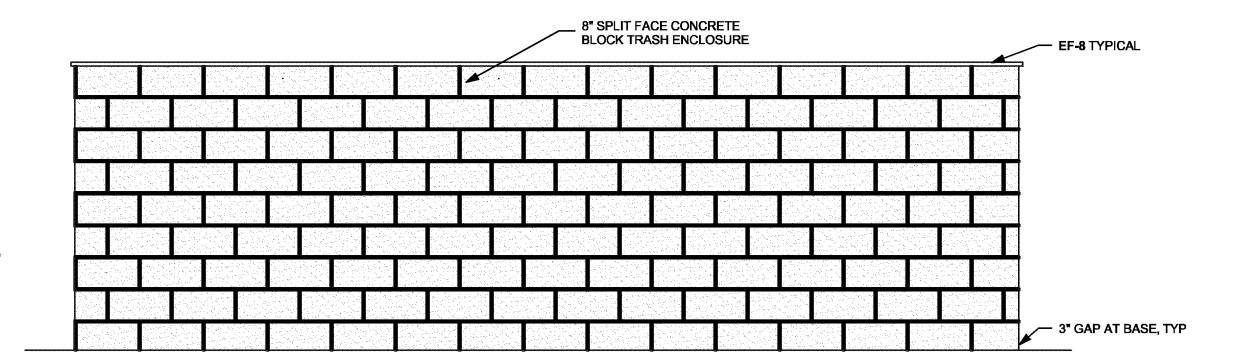
3 SHRUB PLANTING
N.T.S.



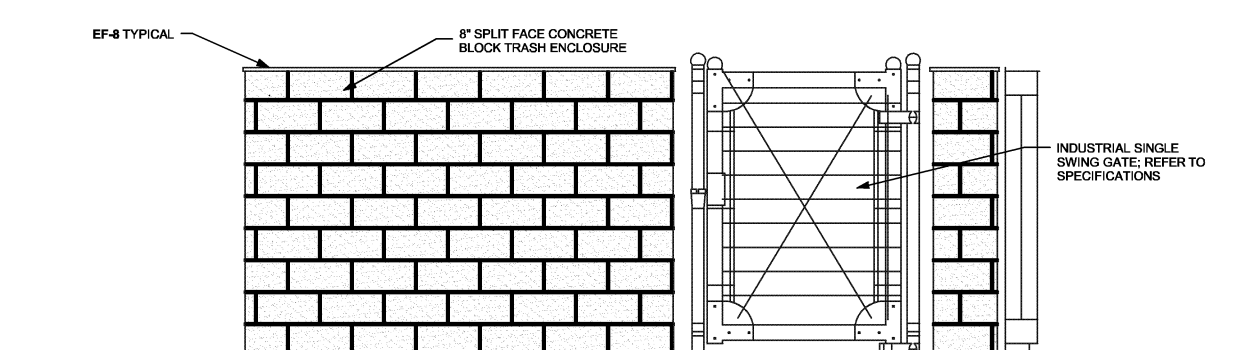
4 PLANTING EDGE
N.T.S.



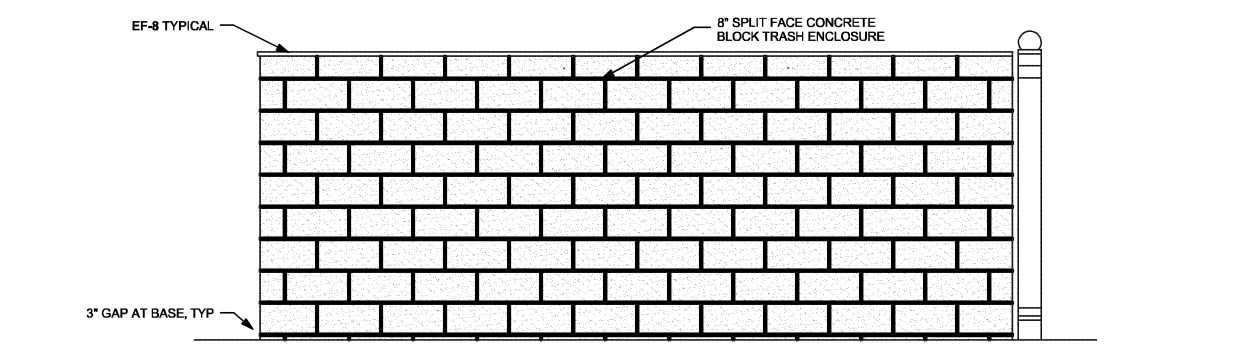
5 DUMPSTER ENCLOSURE FRONT
1/4" = 1'-0"



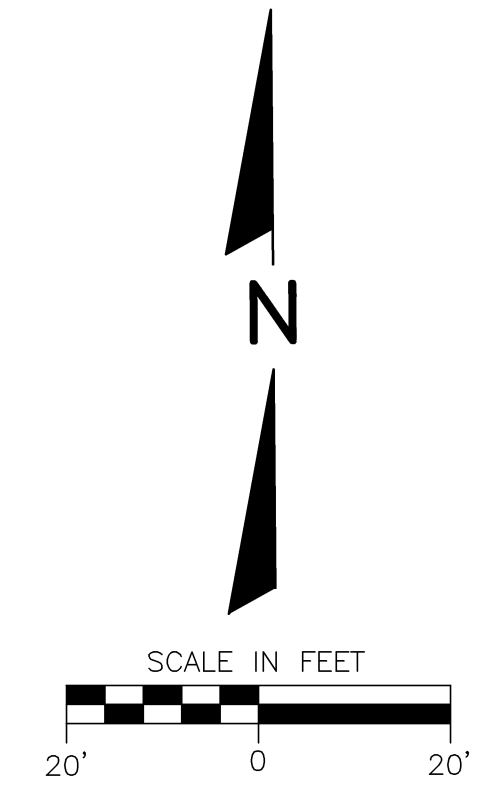
6 DUMPSTER ENCLOSURE REAR
1/4" = 1'-0"



7 DUMPSTER ENCLOSURE LEFT
1/4" = 1'-0"



8 DUMPSTER ENCLOSURE RIGHT
1/4" = 1'-0"



REVISIONS:		TDI ASSOCIATES, INC All Rights Reserved N8 W2290 JOHNSON DRIVE, SUITE B4 WAUKESHA, WISCONSIN 53186 PHONE 262-409-2530 FAX 262-409-2531	 TDI ASSOCIATES, INC. ARCHITECTURE, ENGINEERING, PLANNING	OWNERSHIP OF DOCUMENTS	
NOTE	DATE			This document and the ideas and design incorporated herein, as an instrument of professional service, is the sole property of TDI Associates, Inc., and it shall be used in whole or in part for any other project or purpose without the expressed written authorization of TDI Associates, Inc.	
CITY OF WAUKESHA, WI PIZZA RANCH #8610 - FLEETWOOD DRIVE SITE LANDSCAPE PLAN					
SCALE: 1"= 20'-0"		JOB NO: 15-383.000	DATE: 09-18-17		
DESIGNED BY: ROB	DRAWN BY: ROB	CHECKED BY:			
APPROVED BY:	ENGINEER	DATE	SHEET L-1.0		