

PARKS, RECREATION & FORESTRY

1900 AVIATION DRIVE
WAUKESHA, WISCONSIN 53188-2471
TELEPHONE 262/524-3737 FAX 262/524-3713

Ron Grall, Director
rgrall@waukesha-wi.gov

July 18, 2022

To: Parks, Recreation & Forestry Board (PRFB)

RE: PRFB Agenda Item - Approve the purchase of an Open-Air Shelter Equipment from Poligon for Waukesha Springs Park.

This request is for the final approval to purchase an open-air shelter equipment, through Poligon, in the amount of **\$28,870.00**. This will be constructed in Waukesha Springs Park. This is being funded 50-50 between the City and the YMCA via an existing rental agreement for YMCA's use of Waukesha Springs Park in the summer months. This shelter was bid out through the City's approved purchasing program, Sourcewell. This was approved in the 2021 CIP Major Projects Budget. Installation of the shelter will be quoted out following the City's purchasing policies.

Thank you,

Melissa Lipska

Melissa Lipska
Parks & Forestry Operations Manager



CUSTOM PRICE QUOTE



John Finn
 Reese Recreation
 PO Box 7512
 PROSPECT HEIGHTS, IL 60070
 Phone: 608-588-7697
 Fax:
 Email: jfinn@mhtc.net

CUSTOMER INFORMATION

Name City of Waukesha
 Address 1900 Aviation Dr
 City, State Zip WAUKESHA, WI 53188
 Country United States
 Phone 262-524-3721
 Fax

PROJECT INFORMATION

Project Name Pocket Park
 Job Location WAUKESHA, WI 53188
 Quote Number 161563
 Revision 0
 Freight Miles 286 miles
 Date Quoted June 29, 2022
 Day Quote Expires August 28, 2022

DESIGN CRITERIA

* Building Code 2015 IBC
 * Wind Speed 115
 * Ground Snow Load 30
 Min Clearance Height 7.5'

Calc Books 2
 Drawings 4
 Submittal Approval Required YES
 Sealed Drawings Required YES
 Upper Roof Slope 3:12

** Contact your local municipality to verify building code and loading. Please work with your Inside Sales Coordinator to review pricing if the building code and loading shown on this quote do not match the local requirements of this project location.*

BUILDING DESCRIPTION

Building Quantity	1	
Model and Size	SQR-24MR	20,250.00
	Poligon preliminary (E1) drawing 73241	
Primary Roof	MR	5,900.00
Anchor Bolts		270.00
Extended Columns	MCH of 7.5'	0.00
Electrical Access	With 2 cutouts	450.00
Frame Finish/Color	Poli-5000	0.00

BUILDING TOTALS

Building Price Each **26,870.00**

QUOTE TOTALS

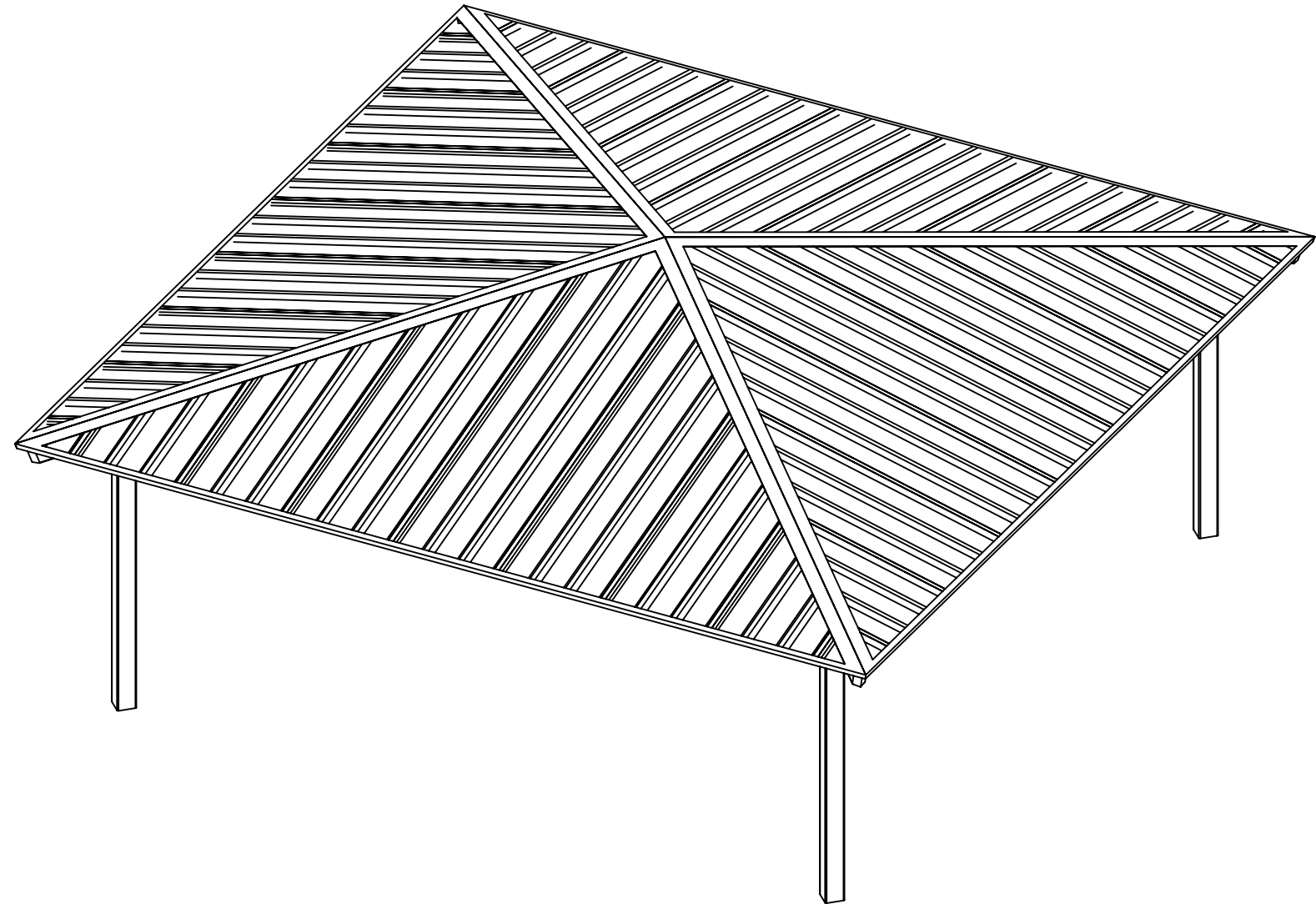
Building Quantity	1	Total Price	26,870.00
		Total Engineering Price	500.00
		State Sales Tax	
		Additional Sales Tax	
		Freight Charge	1,500.00
GRAND TOTAL			28,870.00



PROJECT: POCKET PARK
 LOCATION: WAUKESHA, WI
 BUILDING TYPE: SQR 24
 ROOF TYPE: MULTI-RIB
 BUILDING NUMBER: P14863
 ORDER NUMBER: 73241
 QUOTE NUMBER: 161563

DRAWING LIST:

SHEET NUMBER	DRAWING DESCRIPTION
CS	COVER SHEET
1	ARCHITECTURAL ELEVATIONS
2	STRUCTURAL FRAMING PLAN
3	COLUMN LAYOUT



CERTIFICATES:
 MIAMI-DADE COUNTY CERTIFICATE OF COMPETENCY NO. 21-0819.13
 PCI (POWDER COATING INSTITUTE) 4000 CERTIFIED

FABRICATOR APPROVALS:
 CITY OF PHOENIX, AZ APPROVED FABRICATOR #C08-2010
 CITY OF LOS ANGELES, CA APPROVED FABRICATOR #FB01596
 CITY OF RIVERSIDE, CA APPROVED FABRICATOR #SF_000042
 CITY OF HOUSTON, TX APPROVED FABRICATOR #470
 CLARK COUNTY, NV APPROVED FABRICATOR #264
 STATE OF UTAH APPROVED FABRICATOR 02008-14
 AISC APPROVED FABRICATOR C-00018751

MATERIALS:	DESCRIPTION	ASTM DESIGNATION
	TUBE STEEL	A500 (GRADE B)
	SCHEDULE PIPE	A53 (GRADE B)
	RMT PIPE	A519
	LIGHT GAGE COLD FORMED	A1003 (GRADE 50)
	STRUCTURAL STEEL PLATE	A36
	ROOF PANELS (STEEL)	A653



GENERAL NOTES:
 UNLESS NOTED OTHERWISE, THIS STRUCTURE WAS DESIGNED TO ONLY SUPPORT WHAT IS SHOWN ON THESE DRAWINGS. THE MANUFACTURER MUST BE CONTACTED IF ANYTHING ELSE IS TO BE ATTACHED TO THIS STRUCTURE (WALLS, COLUMN WRAPS, RAILINGS, ETC.) SO THE DESIGN OF THIS STRUCTURE CAN BE REVIEWED AND POSSIBLY REVISED.

UNLESS NOTED OTHERWISE, THIS STRUCTURE WAS DESIGNED ASSUMING A 20' SEPARATION BETWEEN ANY ADJACENT STRUCTURE WITH AN EAVE HEIGHT EQUAL TO OR GREATER THAN THE EAVE HEIGHT OF THIS STRUCTURE. IF THAT SEPARATION DOES NOT EXIST, THE MANUFACTURER MUST BE CONTACTED SO THE DESIGN OF THIS STRUCTURE CAN BE REVIEWED AND POSSIBLY REVISED.

STRUCTURAL STEEL SHALL BE DETAILED, FABRICATED, AND ERECTED IN ACCORDANCE WITH THE LATEST EDITION OF THE AMERICAN INSTITUTE OF STEEL CONSTRUCTION (AISC) SPECIFICATION MANUAL.

ALL WELDING IS PERFORMED BY AMERICAN WELDING SOCIETY (AWS) CERTIFIED WELDERS AND CONFORMS TO THE LATEST EDITION OF AWS D1.1 OR D1.3 AS REQUIRED.

PARTS SHOWN MAY BE UPGRADED DUE TO STANDARDIZED FABRICATION. REFER TO THE SHIPPING BILL OF MATERIALS FOR POSSIBLE SUBSTITUTIONS.

FOR PROPER FIELD INSTALLATION OF THE BUILDING IT IS RECOMMENDED THAT THE PRIMARY FRAME INSTALLER AND THE ROOF INSTALLER HAVE A MINIMUM FIVE (5) YEARS DOCUMENTED EXPERIENCE INSTALLING THIS TYPE OF PRODUCT.

FOR PROPER FIELD INSTALLATION OF THE BUILDING IT IS RECOMMENDED THAT ELECTRIC WIRING, IF REQUIRED, BE RUN THROUGH THE STRUCTURAL MEMBERS BEFORE THE BUILDING IS ERECTED.

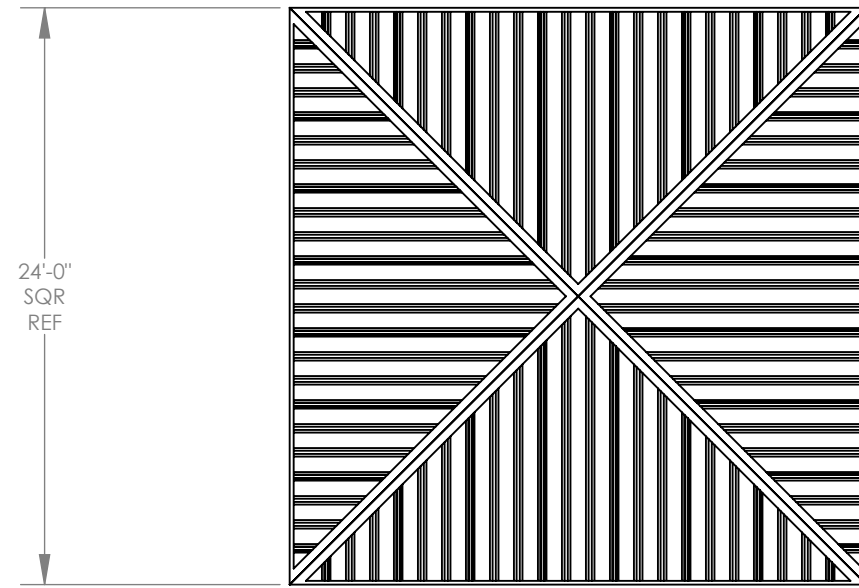
STOP!!
NOT FOR CONSTRUCTION
 USE FOR PRELIMINARY
 PLANNING AND ESTIMATING
 ONLY

poligon
 by PORTER CORP
 WWW.POLIGON.COM
 MAIN: (616) 888-3500
 FIELD SUPPORT: (616) 888-3504

REV LEVEL: A
 SCALE: 1:48
 DRAWN BY: jacob.heller
 PRINT DATE: 6/28/2022
 JOB NO: P14863
 CAD MODEL: ~E1-P14863

PROJECT: Pocket Park
 PROJECT LOCATION: Waukesha, WI
 DRAWING: COVER SHEET

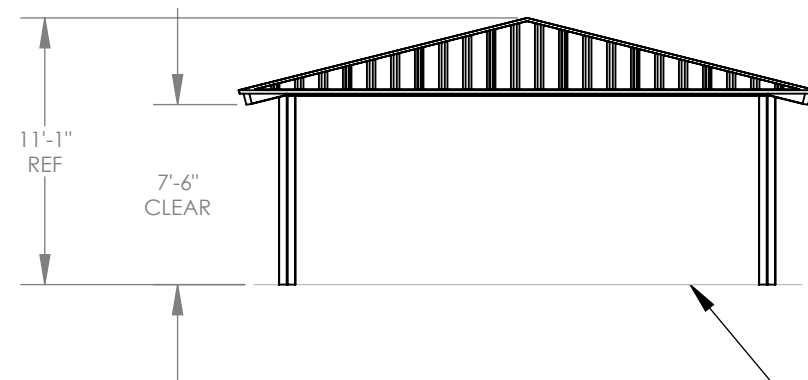




TOP VIEW

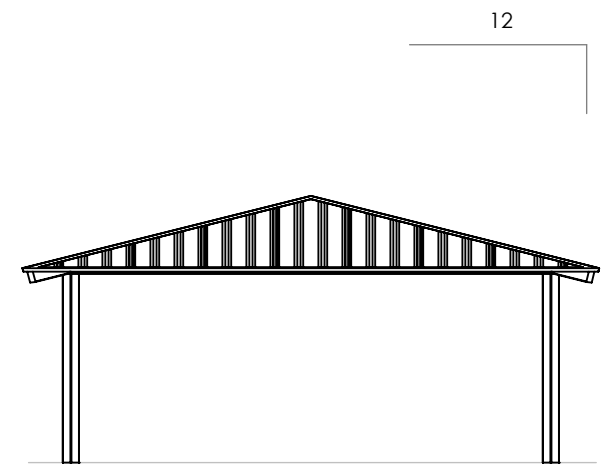


ISOMETRIC VIEW



FRONT VIEW

FINISH GRADE
(ASSUMED AT CONSTANT
ELEVATION UNLESS
OTHERWISE NOTED)



SIDE VIEW

GENERAL ROOF NOTES:

1. METAL ROOFING:
 - 24 GAUGE
 - GALVALUME COATED
 - KYNAR 500 PAINTED
2. TRIM COLOR MATCHES ROOF
3. SEE POLIGON.COM FOR COLOR OPTIONS

STOP!!
NOT FOR CONSTRUCTION

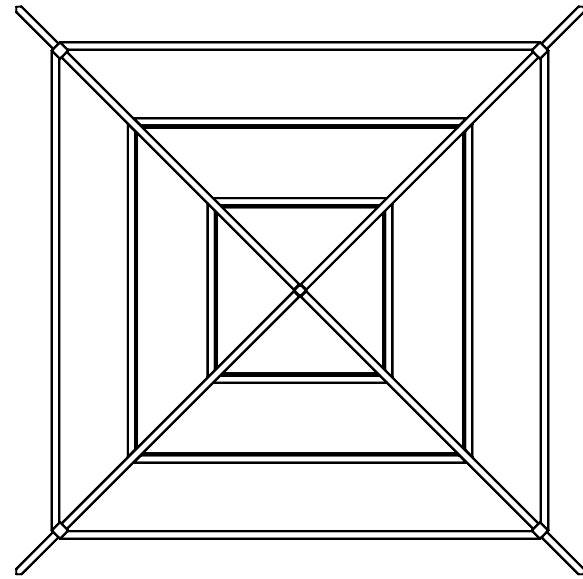
USE FOR PRELIMINARY
PLANNING AND ESTIMATING
ONLY

REV LEVEL:	A
SCALE:	1:96
DRAWN BY:	jacob.heller
PRINT DATE:	6/28/2022
JOB NO.:	P14863
CAD MODEL:	~E1-P14863

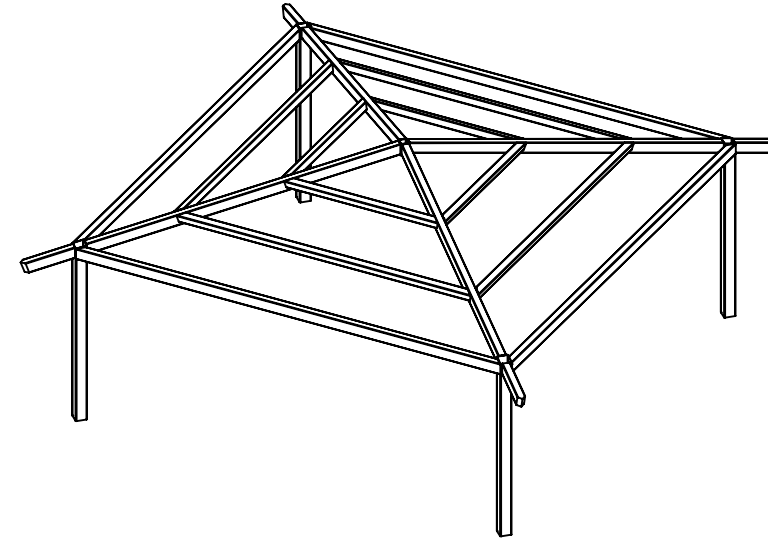
PROJECT:	Pocket Park
PROJECT LOCATION:	Waukesha, WI
DRAWING:	ARCHITECTURAL ELEVATIONS

SHEET

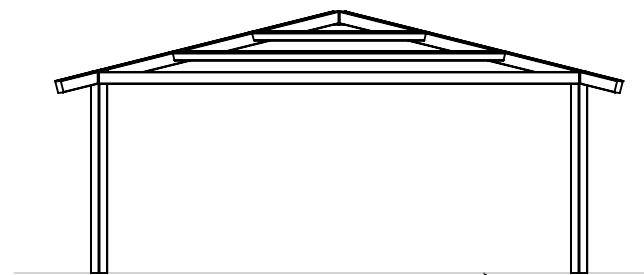
1



TOP VIEW

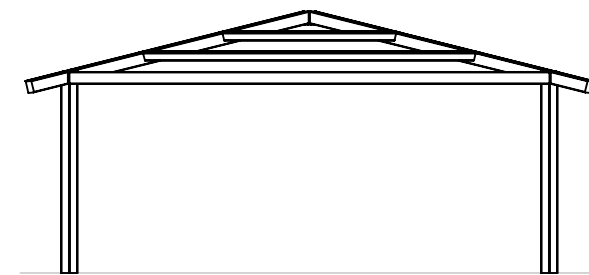


ISOMETRIC VIEW



FRONT VIEW

FINISH GRADE
(ASSUMED AT CONSTANT
ELEVATION UNLESS
OTHERWISE NOTED)



SIDE VIEW

STOP!!
NOT FOR CONSTRUCTION
USE FOR PRELIMINARY
PLANNING AND ESTIMATING
ONLY

REV LEVEL:	A
SCALE:	1:96
DRAWN BY:	jacob.heller
PRINT DATE:	6/28/2022
JOB NO.:	P14863
CAD MODEL:	~E1-P14863

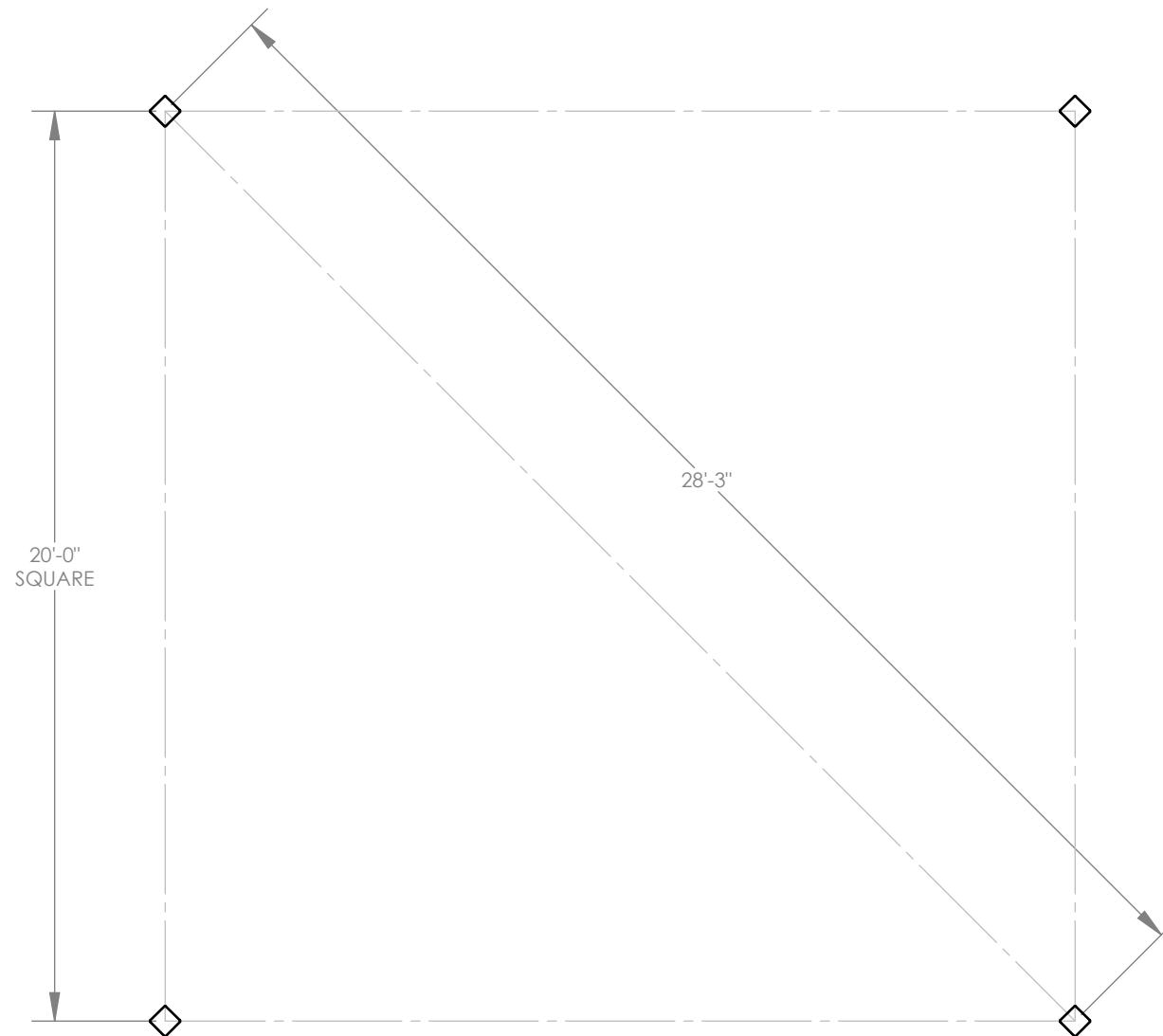
PROJECT:	Pocket Park
PROJECT LOCATION:	Waukesha, WI
DRAWING:	STRUCTURAL FRAMING PLAN

SHEET

2

STOP!!
NOT FOR CONSTRUCTION

USE FOR PRELIMINARY
PLANNING AND ESTIMATING
ONLY



ANCHOR BOLT LAYOUT NOTES:

1. ENGINEERING WILL DETERMINE REQUIRED ANCHOR BOLT LAYOUT AFTER ENGINEERING PACKAGE IS ORDERED.
2. CUSTOMER MAY SUGGEST PREFERRED ANCHOR BOLT LAYOUT.

PROJECT: Pocket Park
PROJECT LOCATION: Waukesha, WI
DRAWING: COLUMN LAYOUT

SHEET

3

PRINT DATE: 6/28/2022
JOB NO: P14863
CAD MODEL: ~E1-P14863

DRAWN BY: jacob.heller

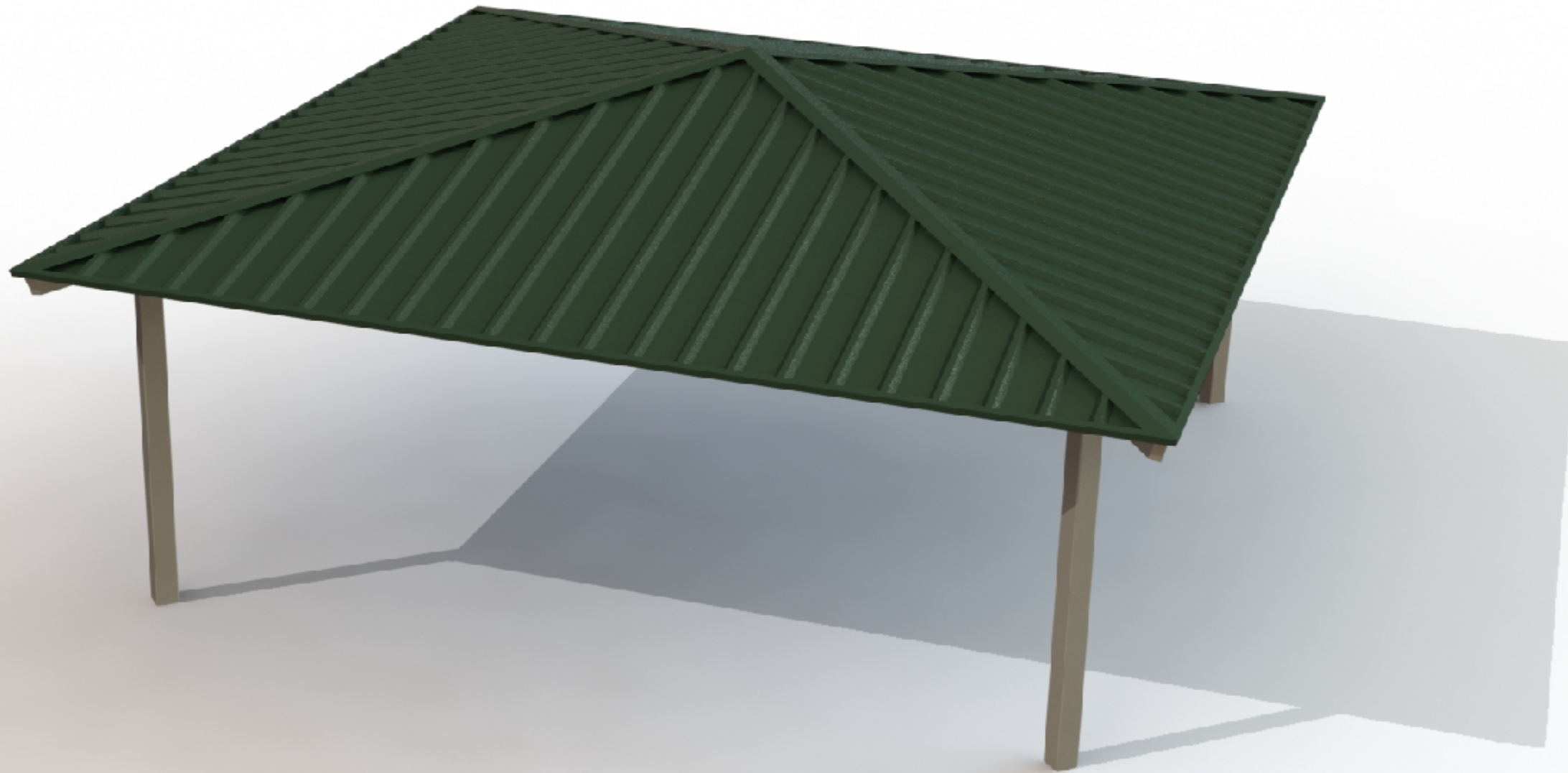
REV LEVEL: A

SCALE: 1:48

poligon
by PORTER CORP

WWW.POLIGON.COM
MAIN: (616) 888-3500
FIELD SUPPORT: (616) 888-3504

poligon[®]



FRAME COLOR: **SURREY BEIGE**
ROOF COLOR: **EVERGREEN**
COLORS SHOWN ARE FOR REFERENCE ONLY.
CONTACT INFO@POLIGON.COM TO REQUEST ACTUAL COLOR SAMPLES.

Pocket Park
Waukesha, WI
SQR 24