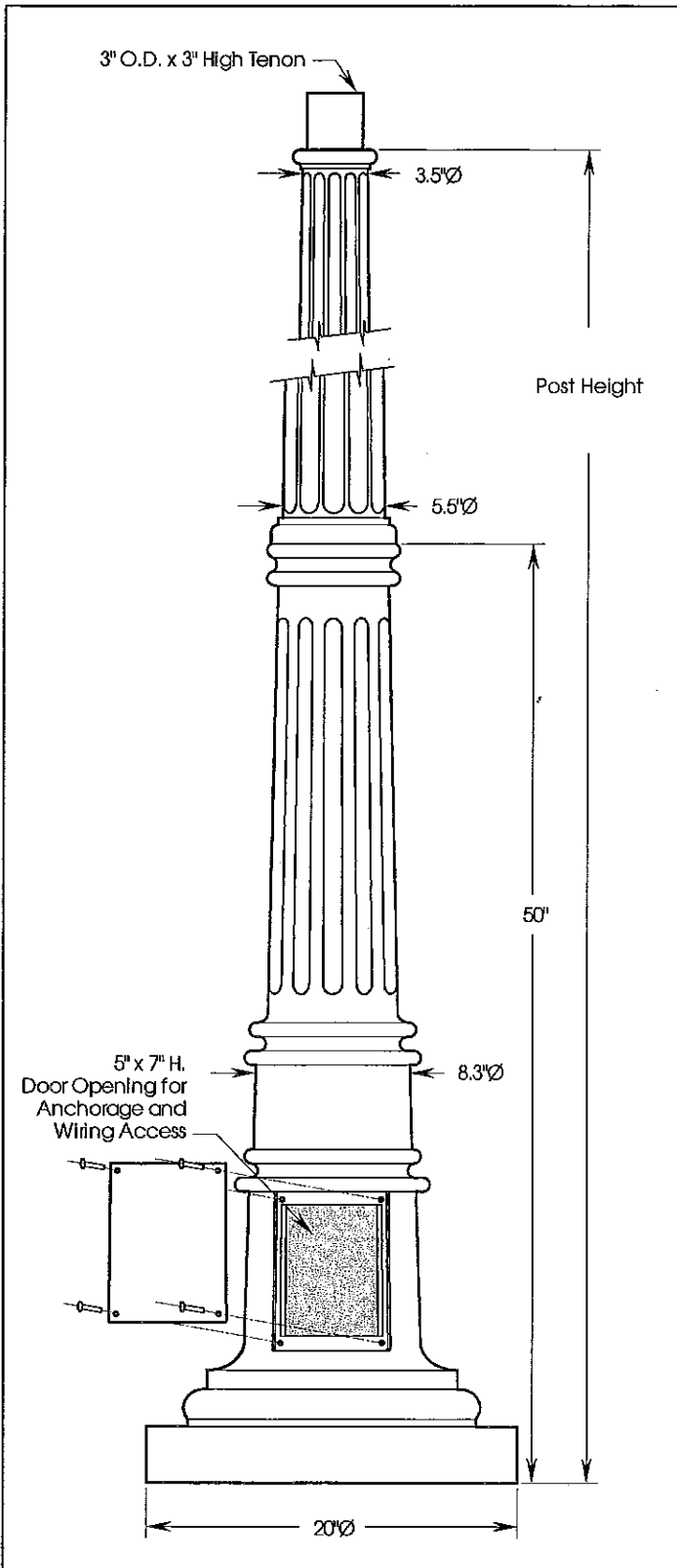


# BROOKFIELD Series Cast Aluminum Posts



## ORDERING INFORMATION

Choose the **boldface** catalog nomenclature that best suits your needs and write it on the appropriate line.

Example: PA BF20 13 ANBK Options

**PA BF20 13 ANBK**

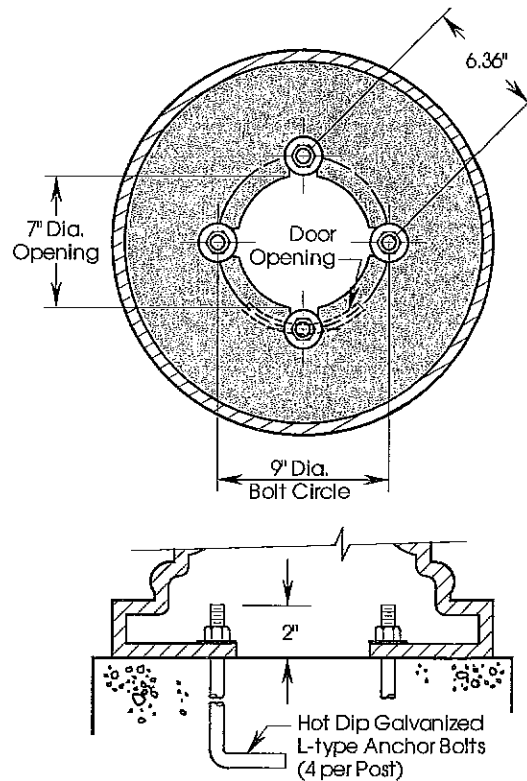
Post Series	Height	Finish <sup>1</sup>
PA BF20	11	ANBK Black
Post, Cast Aluminum	13	ANDB Dark Bronze
	15	ANDG Dark Green
BROOKFIELD	16	ANVG Verde Green
20" base		ANPP Prime Painted
		CM Custom Match
		CS Custom Select
		RAL colors

### Options<sup>1</sup>

- \_\_\_\_\_ Receptacles
  - \_\_\_\_\_ Banner Arms
  - \_\_\_\_\_ Flagpole Holders
  - \_\_\_\_\_ Custom Logos
  - \_\_\_\_\_ Signage
- (see Signage & Accessories section in the catalog or contact Antique Street Lamps)

NOTES:  
1. For finish specifications and color options, see Finish section in catalog or contact Antique Street Lamps.

## ANCHORAGE GUIDE



## ANTIQUÉ Street Lamps

2011-B W. Rundberg Ln. • Austin, TX 78758 • ph(512) 977-8444 • fax(512) 977-9622

Changing the way the world experiences light.









## Benefits

- Up to three times longer life span than what you would expect from incumbent HID technology
- Significantly longer life leads to reduced maintenance and material costs
- Good color rendering for enhanced visibility and safety
- Typical Applications Include:
  - Downtown Areas
  - City Streets
  - Campuses
  - Commercial Parking
  - Residential Streets
  - Parks

## Traditional Acorn

The Lighting Science Post Top Luminaire is a distinct, yet versatile LED-based design with unlimited residential and commercial applications. Classic elegance combined with LED technology offers many advantages over traditional HID and compact fluorescent sources such as longer life, reduction in maintenance costs, lighter weight, higher color rendering index and cooler operating temperature. LSG's new LED offering provides the opportunity to convert to environmentally safe and more uniform light distribution. This full cutoff luminaire meets dark or low lighting requirements by eliminating light above 90 degrees to reduce sky glow and control light trespass.

### Features

Lumen Output*	4000, 6000
Input Power*	50W, 75W
Efficacy*	80 (lm/w)
Color Temperature*	4000K, 5000K
Color Rendering Index (CRI)*	70
<b>Rated Life</b>	
L70	50,000 hours
Housing	Low Copper Cast Aluminum
Optical Distribution	Type II, Type III, Type II Street Side Optimized, Type III Street Side Optimized, Type IV, Type V
Operating Temperature	-20°C to +40°C
Voltage	100-277 VAC @ 50-60 Hz
Weight	40 lbs
Warranty	5 Year
Certification	    
Environment	

\*Nominal Values

### Preliminary Specification

December 2010

North America

Australia

Europe

877-999-5742

www.lsgc.com

Specifications subject to change.

Copyright © Lighting Science Group Corporation 2010 All rights reserved.