

1 EXTERIOR LIGHTING CALCULATIONS
 LC100 SCALE 1/16"=1'-0"

LUMINAIRE SCHEDULE		
SYMBOL	LABEL	DESCRIPTION
○	OB1.180	180 DEGREE DISTRIBUTION BOLLARD, 4000K
○	OB1.360	360 DEGREE DISTRIBUTION BOLLARD, 4000K
□	OP1.TFTM	LED SITE LIGHT ON 18 FT POLE WITH A 6 INCH TALL CONCRETE BASE, 4000K
□	OP1.T3M	LED SITE LIGHT ON 18 FT POLE WITH A 6 INCH TALL CONCRETE BASE, 4000K
—	OL1	LINEAR AIMABLE UP-LIGHT MOUNTED IN STRUCTURE OF CANOPY, 4000K
○	OD1	EXTERIOR DOWNLIGHT, 4000K

REVISIONS <table border="1" style="width:100%; border-collapse: collapse;"> <thead> <tr> <th>NO.</th> <th>DESCRIPTION</th> <th>DATE</th> </tr> </thead> <tbody> <tr><td> </td><td> </td><td> </td></tr> <tr><td> </td><td> </td><td> </td></tr> <tr><td> </td><td> </td><td> </td></tr> </tbody> </table>	NO.	DESCRIPTION	DATE										SCHEMATIC DESIGN SET NOT FOR CONSTRUCTION STRANG ARCHITECTURE ENGINEERING INTERIOR DESIGN 4395 EMERALD POINT ROAD MADISON, WI 53705-4395	SCHEMATIC DESIGN SET NOT FOR CONSTRUCTION PROJECT TITLE SUMMIT BRANCH - MORELAND BLVD 2208 E. MORELAND BLVD WAUKESHA, WI 53186	SCHEMATIC DESIGN SET NOT FOR CONSTRUCTION SHEET NAME EXTERIOR LIGHTING CALCULATIONS PROJECT NO. 2018022 DATE: 05-10-2018 DRAWING SET PLAN REVIEW SHEET NO. LC100 COPYRIGHT STRANG, INC. 2018
NO.	DESCRIPTION	DATE													

LED bollards with 180° light distribution

Post construction: One piece extruded aluminum with internally welded die-cast aluminum base. Die castings are marine grade, copper free ($\leq 0.3\%$ copper content) A360.0 aluminum alloy.

Enclosure: Heavy walled, die-cast aluminum cap. Clear 1/4" thick borosilicate glass with pure anodized aluminum reflector. Fully gasketed for weather tight operation using high temperature silicone gasket.

Electrical: 7.2W LED luminaire, 10 total system watts, -30°C start temperature. Integral 120V through 277V electronic LED driver, 0-10V dimming. LED module(s) are available from factory for easy replacement. Standard LED color temperature is 3000K with a >80 CRI. Available in 4000K (>80 CRI); add suffix K4 to order. **Note:** LEDs supplied with luminaire. Due to the dynamic nature of LED technology, LED luminaire data on this sheet is subject to change at the discretion of BEGA-US. For the most current technical data, please refer to www.bega-us.com.

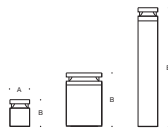
Anchor base: Heavy cast aluminum, slotted for precise alignment. Mounts to BEGA 79 824 anchorage kit. Bollard secures to base with one stainless steel set screw. The mounting system allows the luminaire to be adjusted independent of anchor bolt orientation.

Finish: All BEGA standard finishes are polyester powder coat with minimum 3 mil thickness. Available in four standard BEGA colors: Black (BLK); White (WHT); Bronze (BRZ); Silver (SLV). To specify, add appropriate suffix to catalog number. Custom colors supplied on special order.

CSA certified to U.S. and Canadian standards, suitable for wet locations. Protection class IP65

Weight: 19.0 lbs.

Luminaire Lumens: 411



LED bollards · 180°

	Lamp	A	B	Anchorage
77 753	7.2W LED	6 1/2	39 3/8	79 817

Type:
 BEGA Product:
 Project:
 Voltage:
 Color:
 Options:
 Modified:



1000 BEGA Way, Carpinteria, CA 93013 (805) 684-0533 FAX (805) 566-9474 www.bega-us.com
 ©copyright BEGA 2017 Updated 10/17

SUMMIT CREDIT UNION
 MORELAND

TYPE: OB1_180

LED Bollards with rotationally symmetrical distribution

Post construction: One piece extruded aluminum, with a one piece aluminum top housing and base, internally welded into an assembly. Die castings are marine grade, copper free ($\leq 0.3\%$ copper content) A360.0 aluminum alloy.

Enclosure: Heavy walled, die-cast aluminum cap. Clear $\frac{3}{16}$ " thick borosilicate glass with pure anodized aluminum cone reflector. Fully gasketed using high temperature silicone rubber O-ring gaskets.

Electrical: 14.4W LED luminaire, 20 total system watts, -20°C start temperature. Integral 120V through 277V electronic LED driver, 0-10V, TRIAC, and ELV dimmable. LED module(s) are available from factory for easy replacement.

Standard LED color temperature is 3000K with a >80 CRI. Available in

4000K (>80 CRI); add suffix K4 to order.

Note: Due to the dynamic nature of LED technology, LED luminaire data on this sheet is subject to change at the discretion of BEGA-US. For the most current technical data, please refer to www.bega-us.com.

Anchor base: Heavy cast aluminum, slotted for precise alignment. Mounts to BEGA 79817 anchorage kit (supplied).

Finish: All BEGA standard finishes are polyester powder coat with minimum 3 mil thickness. Available in four standard BEGA colors: Black (BLK); White (WHT); Bronze (BRZ); Silver (SLV). To specify, add appropriate suffix to catalog number. Custom colors supplied on special order.

UL listed for US and Canadian Standards, suitable for wet locations. Protection class IP65.

Luminaire Lumens: 746



	Lamp	A	B	Anchorage
99 570	14.4W LED	6 1/2	39 3/8	79 817



Type:
 BEGA Product:
 Project:
 Voltage:
 Color:
 Options:
 Modified:

1000 BEGA Way, Carpinteria, CA 93013 (805) 684-0533 FAX (805) 566-9474 www.bega-us.com
 ©copyright BEGA 2017 Updated 09/17

SUMMIT CREDIT UNION
 MORELAND

TYPE: OB1_360

Juno

2" IC 600 AND 1000 LUMENS LED ROUND ADJUSTABLE 2LEDTRIM G2 ADJ



Project: _____

Fixture Type: _____

Location: _____

Contact/Phone: _____

PRODUCT DESCRIPTION

2 inch aperture recessed downlight is IC rated for insulated or non-insulated applications • Luminaire produces up to 1000 lumens and is available with optical distributions approximating that of 75W MR16 halogen lamps

- Low profile form factor allows luminaire to fit in 2 x 6 construction
- Designed to provide 50,000 hours of life • 5 year limited warranty on LED Components.

ENVIRONMENTALLY FRIENDLY, ENERGY EFFICIENT

- No harmful ultraviolet or infrared wavelengths
- No lead or mercury, RoHS compliant
- Comparable light output up to a 75W MR16 halogen lamp

PRODUCT SPECIFICATIONS

LED Light Engine Exceptional fixture to fixture color consistency within a 3-step MacAdam ellipse • 2700K, 3000K, 3500K, and 4000K color temperatures are available with 80 CRI or 90 CRI minimum.

Modular Optics Available with field interchangeable optics in 18° Spot, 24° Narrow Flood, or 40° Flood distributions • Gimbal provides up to 35° vertical aiming and 360° horizontal aiming.

Aesthetic Trim Trim features die cast beveled knife edge trim ring for clean ceiling interface available in white, black, satin nickel, or brushed bronze • Die cast baffles are available in white, black, satin nickel, or brushed bronze

LED Driver Choice of dedicated 120 volt (120) driver or universal voltage (MVOLT) driver that accommodates input voltages from 120-277 volts AC at 50/60Hz • Power factor > 0.9 • Dedicated 120 volt driver (120) is dimmable with the use of most incandescent, magnetic low voltage and electronic low voltage dimmers • Universal voltage driver (MVOLT) is dimmable with the use of most 0-10V protocol dimmers • For a list of compatible dimmers, see [JUNO2ING2-DIM](#).

Life Rated for 50,000 hours at 70% lumen maintenance.

Labels ENERGY STAR® Certified • 90CRI fixtures are certified to the high efficacy requirements of California T24 JA8-2016 • Meets energy code Air Leakage requirements per ASTM E283 • UL and cUL listed for damp locations.

Junction Box Includes (2) ½" knock-outs equipped with pryout slots • Push-in electrical connectors for field connections.

Mounting Remodel style plaster frame installs from below the ceiling and accommodates ceiling thicknesses from ½" to 1" • For thicker ceilings up to 1 ½", order 2JCTA150 • New Construction mounting frame, 2NCFM, is also available with Patented (US Patent D552,969) Real Nail 3° telescoping bar hangers to position fixture and locate wiring prior to ceiling installation • Recommend a minimum of 5.5" cavity depth to install properly • Flexible supply is recommended and non-flexible supply requires top access.

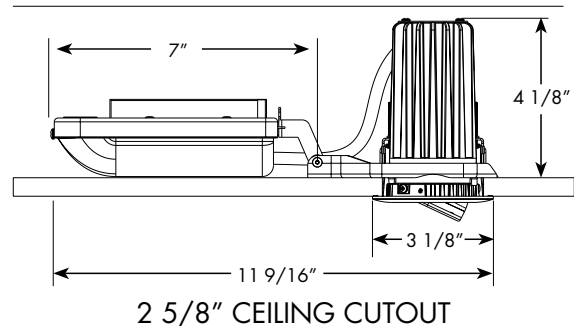
Specifications subject to change without notice.



Trim Finishes



DIMENSIONS



ENGINEERING DATA (600L)

	Dedicated 120V (120)		Universal Voltage (MVOLT)	
	Voltage	120	120	277
Input Power	7.5 (±5%)	7.2	7.5 (±5%)	
Input Current	.06	.06	.03	
Frequency	50/60Hz	50/60Hz		
Power Factor	>0.9	>0.9	>0.9	

ENGINEERING DATA (1000L)

	Dedicated 120V (120)		Universal Voltage (MVOLT)	
	Voltage	120	120	277
Input Power	11.5 (±5%)	10.9	11.4 (±5%)	
Input Current	.10	.09	.04	
Frequency	50/60Hz	50/60Hz		
Power Factor	>0.9	>0.9	>0.9	

AcuityBrands.

1300 S. Wolf Road • Des Plaines, IL 60018 • Phone (847) 827-9880 • Fax (847) 827-2925 • Visit us at www.acuitybrands.com/juno-recessed
Printed in U.S.A. ©2015 - 2017 Acuity Brands Lighting, Inc. Rev. Rev. 12/7/17

1 of 5

SUMMIT CREDIT UNION
MORELAND

TYPE: OD1

2" IC 600 AND 1000 LUMENS LED ROUND ADJUSTABLE 2LEDTRIM G2 ADJ

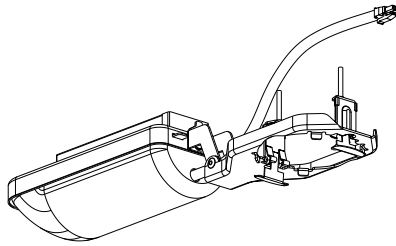
ORDERING INFORMATION DRIVER AND TRIM EACH ORDERED SEPARATELY.

DRIVER:

Example: 2LEDDRIVER G2 06LM 120 FRPC

Series	Generation	Lumens	Voltage	Driver
2LEDDRIVER Juno Recessed 2" Driver	G2 Generation 2	06LM 600 Nominal Lumens 10LM 1000 Nominal Lumens	120 120V MVOLT Multi-Volt (120-277V)	FRPC Forward/Reverse Phase Cut ZT 0-10V Dimming

Note: 120V must be ordered with FRPC.
MVOLT must be ordered with ZT



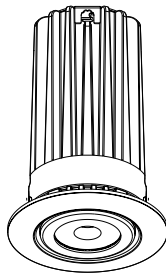
MOUNTING FRAME/DRIVER ASSEMBLY

Note: Driver assembly only intended for use with Gen2 LED trim modules. Not backward compatible with previous generation.

TRIM:

Example: 2LEDTRIM G2 ADJ 27K 80CRI FL BL

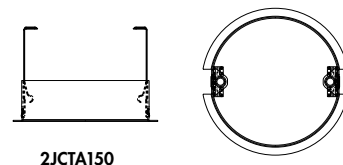
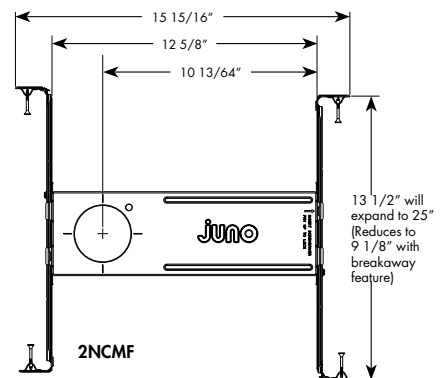
Series	Generation	Trim Designation	Color Temperature	CRI	Distribution	Trim Finish
2LEDTRIM Juno Recessed 2" LED Trim	G2 Generation 2	ADJ Round Adjustable	27K 2700K 30K 3000K 35K 3500K 40K 4000K	80CRI 80+ CRI 90CRI 90+ CRI	FL Flood NFL Narrow Flood SP Spot	BL Black BZ Bronze SN Satin Nickel WH White



TRIM/LED ASSEMBLY

ACCESSORIES

Catalog No.	Description
2NCFM	New Construction Mounting Frame with Real Nail® 3 bar hangers
2JCTA150	Thick Ceiling adapter for 1" - 1½" thick ceiling
LEDOPTIC2 SP	18° Spot Optic
LEDOPTIC2 NFL	24° Narrow Flood Optic
LEDOPTIC2 FL	40° Flood Optic



DATE	PROJECT	FIRM	TYPE
------	---------	------	------

THE L50 INCLUDES PATENTED OPTICAL DESIGN THAT DELIVERS THE WIDEST RANGE OF BEAM ANGLE OPTIONS FOR PRECISE COVE, WALL GRAZING, WALL WASHING OR LINE OF LIGHT APPLICATIONS. EXCLUSIVE FLIP TO FLAT™ HINGE DESIGN PROVIDES FLEXIBILITY WHEN MANAGING SMALL COVE DETAILS. TROV OFFERS SMOOTH, FLICKER FREE DIMMING DOWN TO 0%.

FEATURES :

- DIM TO 0%, ELV REVERSE PHASE
- 24 BEAM ANGLES
- MULTI-VOLT
- FLIP TO FLAT™
- 6 CCT OPTIONS
- 80+ AND 90+ CRI OPTIONS
- IP54 INTERIOR AND IP66 EXTERIOR OPTIONS



MODEL/ SIZE	INTERIOR/ EXTERIOR	LENGTH	POWER	CCT	CRI	VOLTAGE	OPTICS
L50	I E	12" 48"	02 04 06 08 10 12	WHITE CCT 22 27 30 35 40 50	MONO COLOR GR**** BL AM RD***	80 90* Blank For Color	MULT (120-277V) GRAZING 9 x 9 9 x 17 9 x 29 9 x 59 15 x 15 15 x 23 15 x 35 15 x 65 COVE 120" Asym LINE OF LIGHT LOL WASHING 25 x 25 25 x 33 25 x 45 25 x 75 39 x 9 55 x 25 40 x 40 40 x 48 40 x 60 40 x 90 45 x 15 70 x 40 70 x 70

EXAMPLE: L50-I-48-10-27-90-MULT-15x65 *90 CRI not available in 2200K or 5000K **120 is only available with Exterior option. See L35 spec sheet for interior cove options. ***Red is not available in 12W or 10W. ****Green is not available in 12W.

PERFORMANCE	WATTS	OPTIC	LUMEN OUTPUT	EFFICACY
	2W	ASYM	110 lm/LF (361 lm/m)	55 lm/W
	4W	ASYM	302 lm/LF (1037 lm/m)	76 lm/W
	6W	ASYM	482 lm/LF (1614 lm/m)	80 lm/W
	8W	ASYM	675 lm/LF (2224 lm/m)	84 lm/W
	10W	ASYM	785 lm/LF (2644 lm/m)	79 lm/W
	12W	ASYM	923 lm/LF (2752 lm/m)	77 lm/W

ALL LUMEN DATA IS FROM 4000K 80CRI FIXTURES. PLEASE SEE PHOTOMETRY SPEC SHEET FOR ADDITIONAL LUMEN DATA.

COLOR RENDERING INDEX	80+, 90+			
COLOR CONSISTENCY	2-STEP MACADAM ELLIPSE			
LUMEN DEPRECIATION / RATED LIFE	WATTS	L70 @ 25C	L70 @ 50C	L90 @ 25C L90 @ 50C
	2W-12W	>150,000	>70,000	>50,000 >25,000

* CALCULATIONS FOR LED FIXTURES ARE BASED ON MEASUREMENTS THAT COMPLY WITH IES LM-80 TESTING PROCEDURES AND IES TM-21 CALCULATOR

ELECTRICAL	POWER CONSUMPTION	2W*/LF (6.6W/M); 4W/LF (13.2W/M); 6W/LF (19.8W/M); 8W/LF (26.4W/M); 10W/LF (33W/M); 12W/LF (39.6W/M) * 3W/LF (9.9W/M) at 220V -277V																																																																	
	MAX FIXTURE RUN LENGTH	<table border="1"> <thead> <tr> <th></th> <th colspan="2">2W/LF</th> <th colspan="2">4W/LF</th> <th colspan="2">6W/LF</th> <th colspan="2">8W/LF</th> <th colspan="2">10W/LF</th> <th colspan="2">12W/LF</th> </tr> <tr> <th>Volts</th> <th>Max Run all 1'</th> <th>Max Run all 4'</th> <th>Max Run all 1'</th> <th>Max Run all 4'</th> <th>Max Run all 1'</th> <th>Max Run all 4'</th> <th>Max Run all 1'</th> <th>Max Run all 4'</th> <th>Max Run all 1'</th> <th>Max Run all 4'</th> <th>Max Run all 1'</th> <th>Max Run all 4'</th> </tr> </thead> <tbody> <tr> <td>120</td> <td>214</td> <td>214</td> <td>186</td> <td>186</td> <td>152</td> <td>152</td> <td>114</td> <td>114</td> <td>91</td> <td>91</td> <td>76</td> <td>76</td> </tr> <tr> <td>220</td> <td>374</td> <td>392</td> <td>340</td> <td>340</td> <td>277</td> <td>277</td> <td>209</td> <td>209</td> <td>95</td> <td>167</td> <td>95</td> <td>139</td> </tr> <tr> <td>277</td> <td>374</td> <td>494</td> <td>374</td> <td>428</td> <td>349</td> <td>349</td> <td>263</td> <td>263</td> <td>95</td> <td>190</td> <td>95</td> <td>175</td> </tr> </tbody> </table>		2W/LF		4W/LF		6W/LF		8W/LF		10W/LF		12W/LF		Volts	Max Run all 1'	Max Run all 4'	Max Run all 1'	Max Run all 4'	Max Run all 1'	Max Run all 4'	Max Run all 1'	Max Run all 4'	Max Run all 1'	Max Run all 4'	Max Run all 1'	Max Run all 4'	120	214	214	186	186	152	152	114	114	91	91	76	76	220	374	392	340	340	277	277	209	209	95	167	95	139	277	374	494	374	428	349	349	263	263	95	190	95	175
	2W/LF		4W/LF		6W/LF		8W/LF		10W/LF		12W/LF																																																								
Volts	Max Run all 1'	Max Run all 4'	Max Run all 1'	Max Run all 4'	Max Run all 1'	Max Run all 4'	Max Run all 1'	Max Run all 4'	Max Run all 1'	Max Run all 4'	Max Run all 1'	Max Run all 4'																																																							
120	214	214	186	186	152	152	114	114	91	91	76	76																																																							
220	374	392	340	340	277	277	209	209	95	167	95	139																																																							
277	374	494	374	428	349	349	263	263	95	190	95	175																																																							
	POWER FACTOR	4W, 6W, 8W, 10W, 12W >0.9, 2W<0.9																																																																	
	OPERATING VOLTAGE DRIVER	MULTIVOLT: 110-277VAC, 50/60 Hz																																																																	
	STARTUP TEMPERATURE	INTEGRAL TO FIXTURE; DE-RATED POWER AND SYNCHRONOUS START-UP AT FULL BRIGHTNESS																																																																	
	OPERATING TEMPERATURE	-40°F TO 122°F (-40°C TO 50°C)																																																																	
	STORAGE TEMPERATURE	-40°F TO 176°F (-40°C TO 80°C)																																																																	

ECOSENSE LIGHTING INC.
837 NORTH SPRING STREET
SUITE 103
LOS ANGELES, CA 90012

P • 310.496.6255
F • 310.496.6256
T • 855.632.6736
855.6.ECOSEN

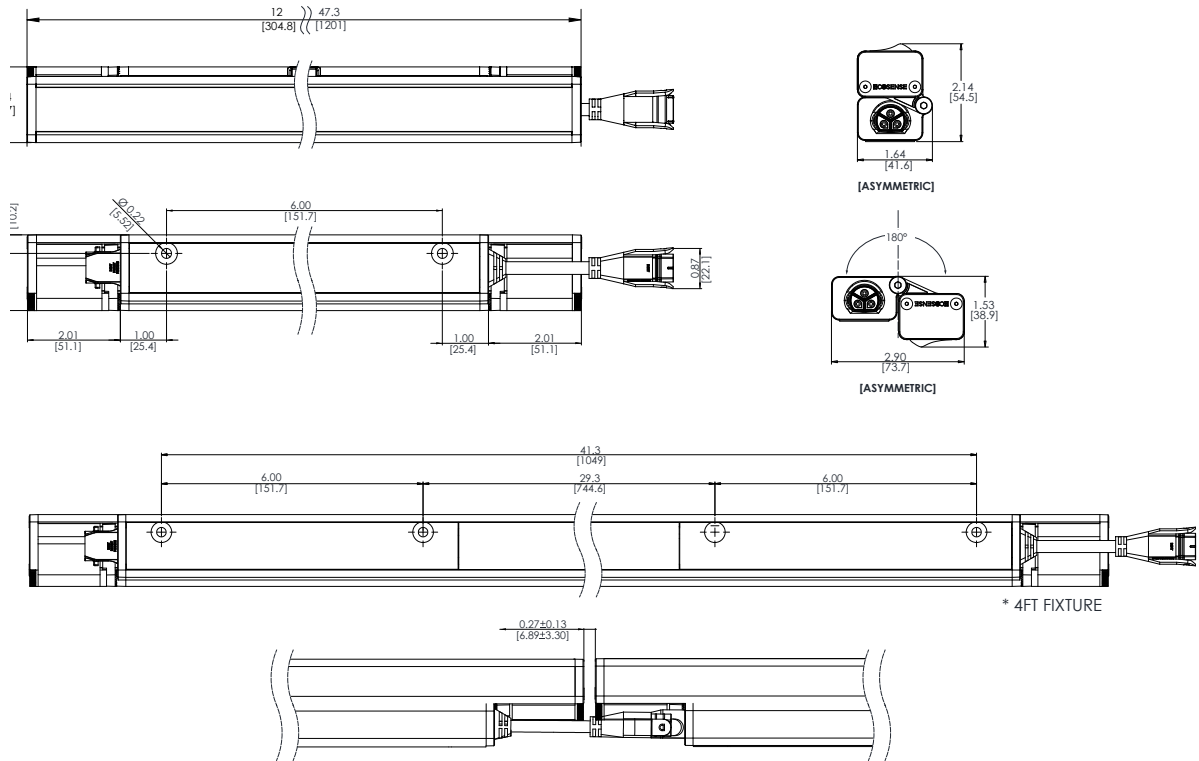
SPECIFICATIONS SUBJECT TO CHANGE WITHOUT NOTICE. VISIT ECOSENSELIGHTING.COM FOR THE MOST CURRENT SPECIFICATIONS.
© 2017 ECOSENSE LIGHTING INC. ALL RIGHTS RESERVED. ECOSENSE, THE ECOSENSE LOGO, RISE, TROV, SLIM COVE AND ECOSPEC ARE REGISTERED TRADEMARKS OF ECOSENSE LIGHTING INC.
FREEDOM TO CREATE™

ECOSENSELIGHTING.COM

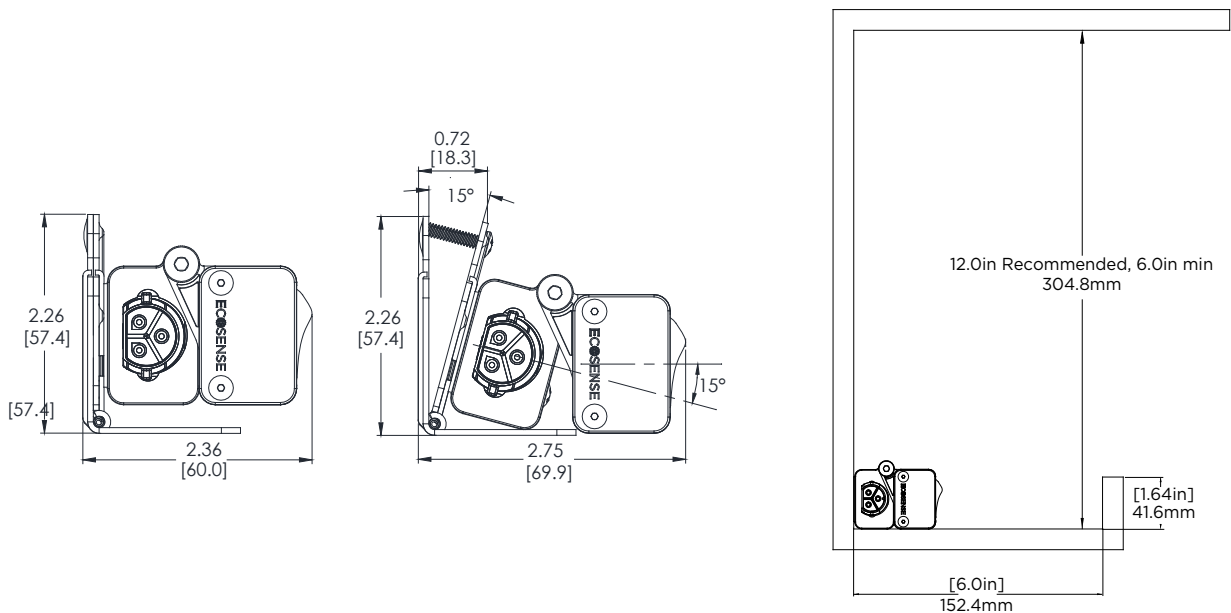
1/3

20171120

DATE	PROJECT	FIRM	TYPE
------	---------	------	------



Fine Adjustable L-Bracket:



ECOSENSE LIGHTING INC.
837 NORTH SPRING STREET
SUITE 103
LOS ANGELES, CA 90012

P • 310.496.6255
F • 310.496.6256
T • 855.632.6736
855.6.ECOSEN

SPECIFICATIONS SUBJECT TO CHANGE WITHOUT NOTICE. VISIT
ECOSENSELIGHTING.COM FOR THE MOST CURRENT SPECIFICATIONS.
© 2017 ECOSENSE LIGHTING INC. ALL RIGHTS RESERVED. ECOSENSE,
THE ECOSENSE LOGO, RISE, TRÖV, SLIM COVE AND ECOSPEC ARE
REGISTERED TRADEMARKS OF ECOSENSE LIGHTING INC.
FREEDOM TO CREATE™

ECOSENSELIGHTING.COM

3/3

20171120



D-Series Size 0 LED Area Luminaire



Catalog Number
Notes
Type

Hit the Tab key or mouse over the page to see all interactive elements.

A+ Capable Luminaire

This item is an A+ capable luminaire, which has been designed and tested to provide consistent color appearance and system-level interoperability.

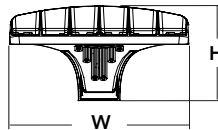
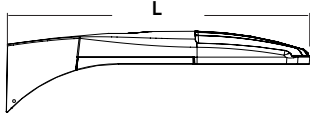
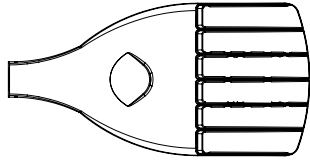
- All configurations of this luminaire meet the Acuity Brands' specification for chromatic consistency
- This luminaire is A+ Certified when ordered with DTL® controls marked by a **shaded background**. DTL DLL equipped luminaires meet the A+ specification for luminaire to photocontrol interoperability¹
- This luminaire is part of an A+ Certified solution for ROAM® or XPoint™ Wireless control networks, providing out-of-the-box control compatibility with simple commissioning, when ordered with drivers and control options marked by a **shaded background**¹

To learn more about A+, visit www.acuitybrands.com/aplus.

- See ordering tree for details.
- A+ Certified Solutions for ROAM require the order of one ROAM node per luminaire. Sold Separately: [Link to Roam](#); [Link to DTL DLL](#)

Specifications

EPA:	0.95 ft ² (.09 m ²)
Length:	26" (66.0 cm)
Width:	13" (33.0 cm)
Height:	7" (17.8 cm)
Weight (max):	16 lbs (7.25 kg)



A+ Capable options indicated by this color background.

Ordering Information

EXAMPLE: DSX0 LED P6 40K T3M MVOLT SPA DDBXD

Series	LEDs	Color temperature	Distribution	Voltage	Mounting		
DSX0 LED	Forward optics P1 P4 P7 P2 P5 P3 P6 Rotated optics P10 ¹ P12 ¹ P11 ¹ P13 ¹	30K 3000 K 40K 4000 K 50K 5000 K AMBPC Amber phosphor converted ²	T1S Type I short T2S Type II short T2M Type II medium T3S Type III short T3M Type III medium T4M Type IV medium TFTM Forward throw medium T5VS Type V very short	T5S Type V short T5M Type V medium T5W Type V wide BLC Backlight control ^{2,3} LCCO Left corner cutoff ^{2,3} RCCO Right corner cutoff ^{2,3}	MVOLT ^{4,5} 120⁶ 208 ^{5,6} 240 ^{5,6} 277 ⁶ 347 ^{5,6,7} 480 ^{5,6,7}	Shipped included SPA Square pole mounting RPA Round pole mounting WBA Wall bracket SPUMBA Square pole universal mounting adaptor ⁸ RPUMBA Round pole universal mounting adaptor ⁸ Shipped separately KMA8 DDBXD U Mast arm mounting bracket adaptor (specify finish) ⁹	
Control options			Other options		Finish (required)		
Shipped installed NLTAIR2 nLight AIR generation 2 enabled ¹⁰ PER NEMA twist-lock receptacle only (control ordered separate) ¹¹ PER5 Five-wire receptacle only (control ordered separate) ^{11,12} PER7 Seven-wire receptacle only (control ordered separate) ^{11,12} DMG 0-10V dimming extend out back of housing for external control (control ordered separate) PIR Bi-level, motion/ambient sensor, 8-15' mounting height, ambient sensor enabled at 5fc ^{5,13,14} PIRH Bi-level, motion/ambient sensor, 15-30' mounting height, ambient sensor enabled at 5fc ^{5,13,14} PIRHN Network, Bi-Level motion/ambient sensor ¹⁵ PIR1FC3V Bi-level, motion/ambient sensor, 8-15' mounting height, ambient sensor enabled at 1fc ^{5,13,14}			PIRH1FC3V Bi-level, motion/ambient sensor, 15-30' mounting height, ambient sensor enabled at 1fc ^{5,13,14} BL30 Bi-level switched dimming, 30% ^{5,16,17} BL50 Bi-level switched dimming, 50% ^{5,16,17} PNMTDD3 Part night, dim till dawn ^{5,18} PNMTSD3 Part night, dim 5 hrs ^{5,18} PNMT6D3 Part night, dim 6 hrs ^{5,18} PNMT7D3 Part night, dim 7 hrs ^{5,18} FAO Field adjustable output ¹⁹		Shipped installed HS House-side shield ²⁰ SF Single fuse (120, 277, 347V) ⁶ DF Double fuse (208, 240, 480V) ⁶ L90 Left rotated optics ¹ R90 Right rotated optics ¹ DDL Diffused drop lens ²⁰ Shipped separately BS Bird spikes ²¹ EGS External glare shield ²¹		DDBXD Dark bronze DBLXD Black DNAXD Natural aluminum DWHXD White DDBTXD Textured dark bronze DBLTXD Textured black DNATXD Textured natural aluminum DWHGXD Textured white



One Lithonia Way • Conyers, Georgia 30012 • Phone: 800.279.8041 • www.lithonia.com
 © 2011-2018 Acuity Brands Lighting, Inc. All rights reserved.

DSX0-LED
 Rev. 03/21/18
 Page 1 of 7

Performance Data

Lumen Output

Lumen values are from photometric tests performed in accordance with IESNA LM-79-08. Data is considered to be representative of the configurations shown, within the tolerances allowed by Lighting Facts. Contact factory for performance data on any configurations not shown here.

Forward Optics																											
LED Count	Drive Current	Power Package	System Watts	Dist. Type	30K (3000 K, 70 CRI)					40K (4000 K, 70 CRI)					50K (5000 K, 70 CRI)					AMBPC (Amber Phosphor Converted)							
					Lumens	B	U	G	LPW	Lumens	B	U	G	LPW	Lumens	B	U	G	LPW	Lumens	B	U	G	LPW			
40	700	P5	89W	T1S	10,831	2	0	2	122	11,668	2	0	2	131	11,816	2	0	2	133								
				T2S	10,820	2	0	2	122	11,656	2	0	2	131	11,803	2	0	2	133								
				T2M	10,876	2	0	2	122	11,716	2	0	2	132	11,864	2	0	2	133								
				T3S	10,532	2	0	2	118	11,346	2	0	2	127	11,490	2	0	2	129								
				T3M	10,849	2	0	2	122	11,687	2	0	2	131	11,835	2	0	2	133								
				T4M	10,613	2	0	3	119	11,434	2	0	3	128	11,578	2	0	3	130								
				TFTM	10,842	2	0	2	122	11,680	2	0	2	131	11,828	2	0	2	133								
				TSVS	11,276	3	0	1	127	12,148	3	0	1	136	12,302	3	0	1	138								
				TSS	11,286	3	0	1	127	12,158	3	0	1	137	12,312	3	0	1	138								
				TSM	11,257	4	0	2	126	12,127	4	0	2	136	12,280	4	0	2	138								
				TSW	11,344	4	0	3	127	12,221	4	0	3	137	12,375	4	0	3	139								
				BLC	8,890	1	0	2	100	9,576	1	0	2	108	9,698	1	0	2	109								
				LCCO	6,615	1	0	3	74	7,126	1	0	3	80	7,216	1	0	3	81								
				RCCO	6,615	1	0	3	74	7,126	1	0	3	80	7,216	1	0	3	81								
				40	1050	P6	134W	T1S	14,805	3	0	3	110	15,949	3	0	3	119	16,151	3	0	3	121	6,206	2	0	2
T2S	14,789	3	0					3	110	15,932	3	0	3	119	16,134	3	0	3	120	6,322	2	0	2	69			
T2M	14,865	3	0					3	111	16,014	3	0	3	120	16,217	3	0	3	121	6,201	2	0	2	68			
T3S	14,396	3	0					3	107	15,509	3	0	3	116	15,705	3	0	3	117	6,247	1	0	2	69			
T3M	14,829	2	0					3	111	15,975	3	0	3	119	16,177	3	0	3	121	6,308	2	0	2	69			
T4M	14,507	2	0					3	108	15,628	3	0	3	117	15,826	3	0	3	118	6,275	1	0	2	69			
TFTM	14,820	2	0					3	111	15,965	3	0	3	119	16,167	3	0	3	121	6,203	1	0	2	68			
TSVS	15,413	4	0					1	115	16,604	4	0	1	124	16,815	4	0	1	125	6,671	2	0	0	73			
TSS	15,426	3	0					1	115	16,618	4	0	1	124	16,828	4	0	1	126	6,569	2	0	0	72			
TSM	15,387	4	0					2	115	16,576	4	0	2	124	16,786	4	0	2	125	6,491	3	0	1	71			
TSW	15,506	4	0					3	116	16,704	4	0	3	125	16,915	4	0	3	126	6,504	3	0	2	71			
BLC	12,151	1	0					2	91	13,090	1	0	2	98	13,255	1	0	2	99								
LCCO	9,041	1	0					3	67	9,740	1	0	3	73	9,863	1	0	3	74								
RCCO	9,041	1	0					3	67	9,740	1	0	3	73	9,863	1	0	3	74								
40	1300	P7	166W					T1S	17,023	3	0	3	103	18,338	3	0	3	110	18,570	3	0	3	112				
				T2S	17,005	3	0	3	102	18,319	3	0	3	110	18,551	3	0	3	112								
				T2M	17,092	3	0	3	103	18,413	3	0	3	111	18,646	3	0	3	112								
				T3S	16,553	3	0	3	100	17,832	3	0	3	107	18,058	3	0	3	109								
				T3M	17,051	3	0	3	103	18,369	3	0	3	111	18,601	3	0	3	112								
				T4M	16,681	3	0	3	100	17,969	3	0	3	108	18,197	3	0	3	110								
				TFTM	17,040	3	0	3	103	18,357	3	0	4	111	18,590	3	0	4	112								
				TSVS	17,723	4	0	1	107	19,092	4	0	1	115	19,334	4	0	1	116								
				TSS	17,737	4	0	2	107	19,108	4	0	2	115	19,349	4	0	2	117								
				TSM	17,692	4	0	2	107	19,059	4	0	2	115	19,301	4	0	2	116								
				TSW	17,829	5	0	3	107	19,207	5	0	3	116	19,450	5	0	3	117								
				BLC	13,971	2	0	2	84	15,051	2	0	2	91	15,241	2	0	2	92								
				LCCO	10,396	1	0	3	63	11,199	1	0	3	67	11,341	1	0	3	68								
									10,396	1	0	3	63	11,199	1	0	3	67	11,341	1	0	3	68				



One Lithonia Way • Conyers, Georgia 30012 • Phone: 800.279.8041 • www.lithonia.com
 © 2011-2018 Acuity Brands Lighting, Inc. All rights reserved.

DSX0-LED
 Rev. 03/21/18
 Page 5 of 7

SUMMIT CREDIT UNION
 MORELAND

TYPE: OP1