

# CERTIFIED SURVEY MAP NO.

ALL THAT PART OF LOT 3 OF CERTIFIED SURVEY MAP NO. 8738 AND PART OF CERTIFIED SURVEY MAP NO. 9747, BEING LOCATED IN A PART OF THE SOUTHWEST 1/4 OF THE SOUTHEAST 1/4 OF SECTION 31, TOWN 7 NORTH, RANGE 19 EAST, IN THE CITY OF WAUKESHA, WAUKESHA COUNTY, WISCONSIN.

## OVERALL DETAIL SHEET

**PREPARED BY:**  
TRIO ENGINEERING, LLC  
4100 N. CALHOUN ROAD  
SUITE 300  
BROOKFIELD, WI 53005  
PHONE: 262-790-1480

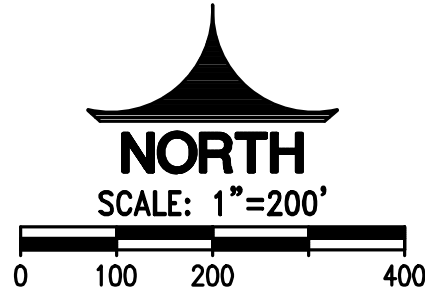
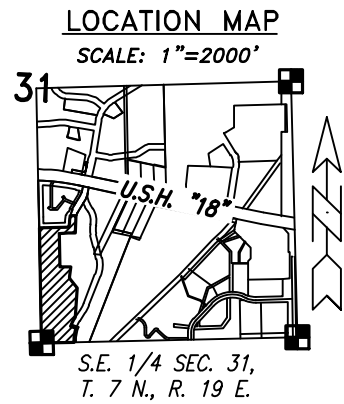
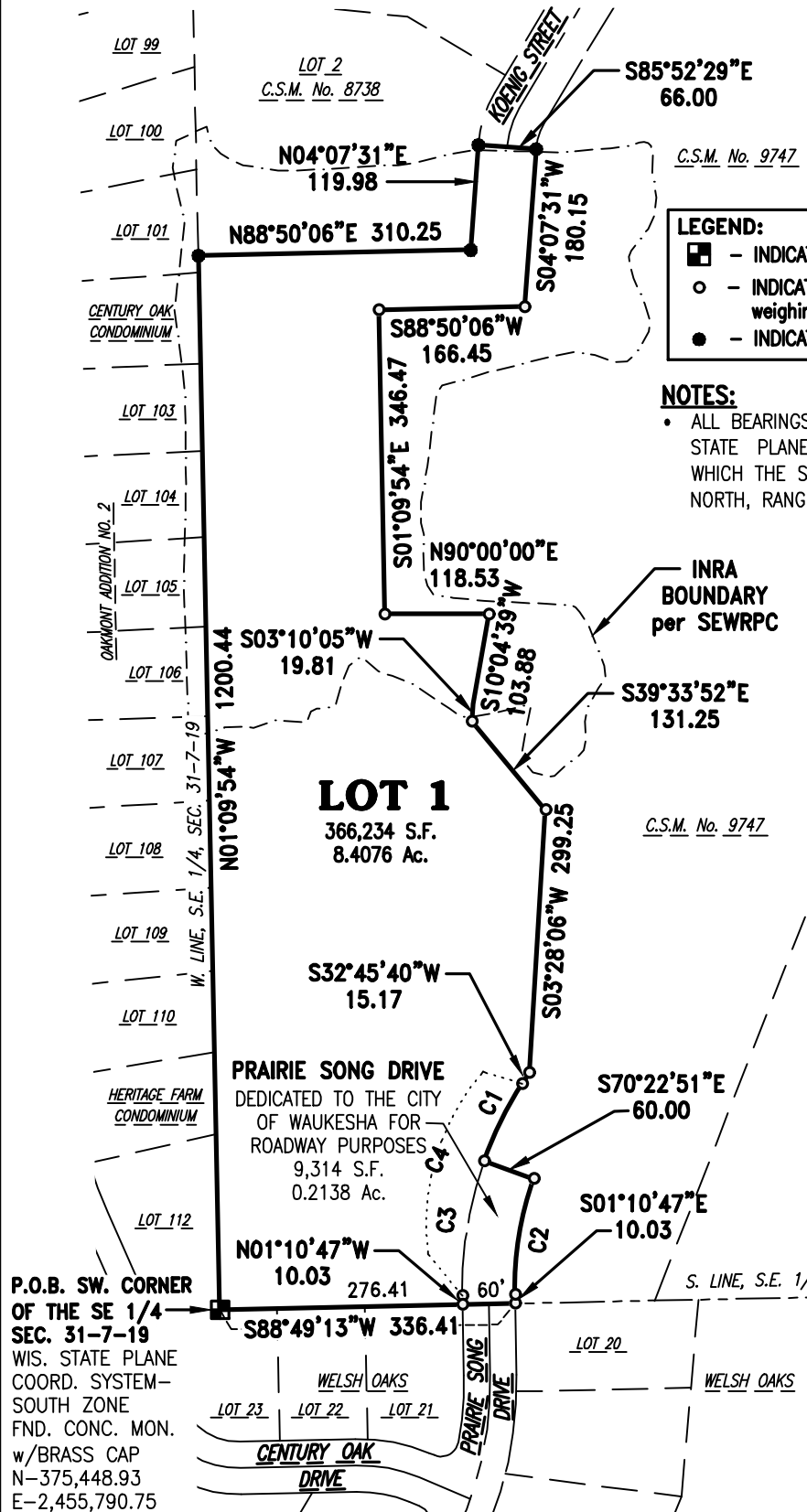
**OWNER:**  
BIELINSKI HOMES, INC.  
1830 MEADOW LN  
SUITE A  
PEWAUKEE, WI 53027

**LEGEND:**

- - INDICATES Section Corner (See Plan for Details)
- - INDICATES "Set" 0.750" O.D. X 18" long reinforcing bar weighing 1.502 lbs. per lineal foot.
- - INDICATES "Found" 1" iron pipe, unless noted otherwise.

**NOTES:**

- ALL BEARINGS ARE REFERENCED TO GRID NORTH OF THE WISCONSIN STATE PLANE COORDINATE SYSTEM, SOUTH ZONE (NAD-27), IN WHICH THE SOUTH LINE OF THE S.E. 1/4 OF SECTION 31, TOWN 7 NORTH, RANGE 19 EAST, BEARS N88°49'13"E.



NE. CORNER OF THE  
NE 1/4 SEC. 6-6-19  
21.17  
N88°49'13"E 2641.68  
MONU. TO MONU. SE. CORNER OF THE  
SE 1/4 SEC. 31-7-19  
WIS. STATE PLANE COORD. SYSTEM- SOUTH  
ZONE, FND. CONC. MON. w/BRASS CAP  
N-375,503.31 E-2,456,431.63

**CURVE DATA**

NO.	RADIUS	CENTRAL ANGLE	ARC	CHORD	CHORD BEARING	TANGENT IN	TANGENT OUT
C1	430.00	13°08'31"	98.63	98.41	S26°11'24.5"W	S32°45'40"W	S19°37'09"W
C2	370.00	20°47'56"	134.31	133.58	S09°13'11"W	S19°37'09"W	S01°10'47"E
C3	430.00	20°47'56"	156.09	155.24	S09°13'11"W	S19°37'09"W	S01°10'47"E
C4	430.00	33°56'27"	254.72	251.01	S15°47'27"W	S32°45'40"W	S01°10'47"E



DRAFTED THIS 30TH DAY OF JULY, 2020  
THIS INSTRUMENT WAS DRAFTED BY DEBORAH L. JOERS, S-2132

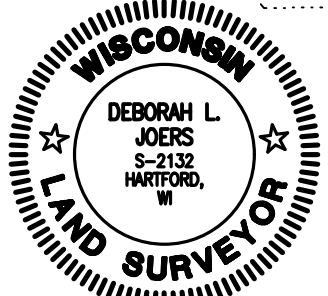
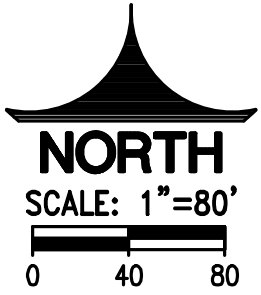
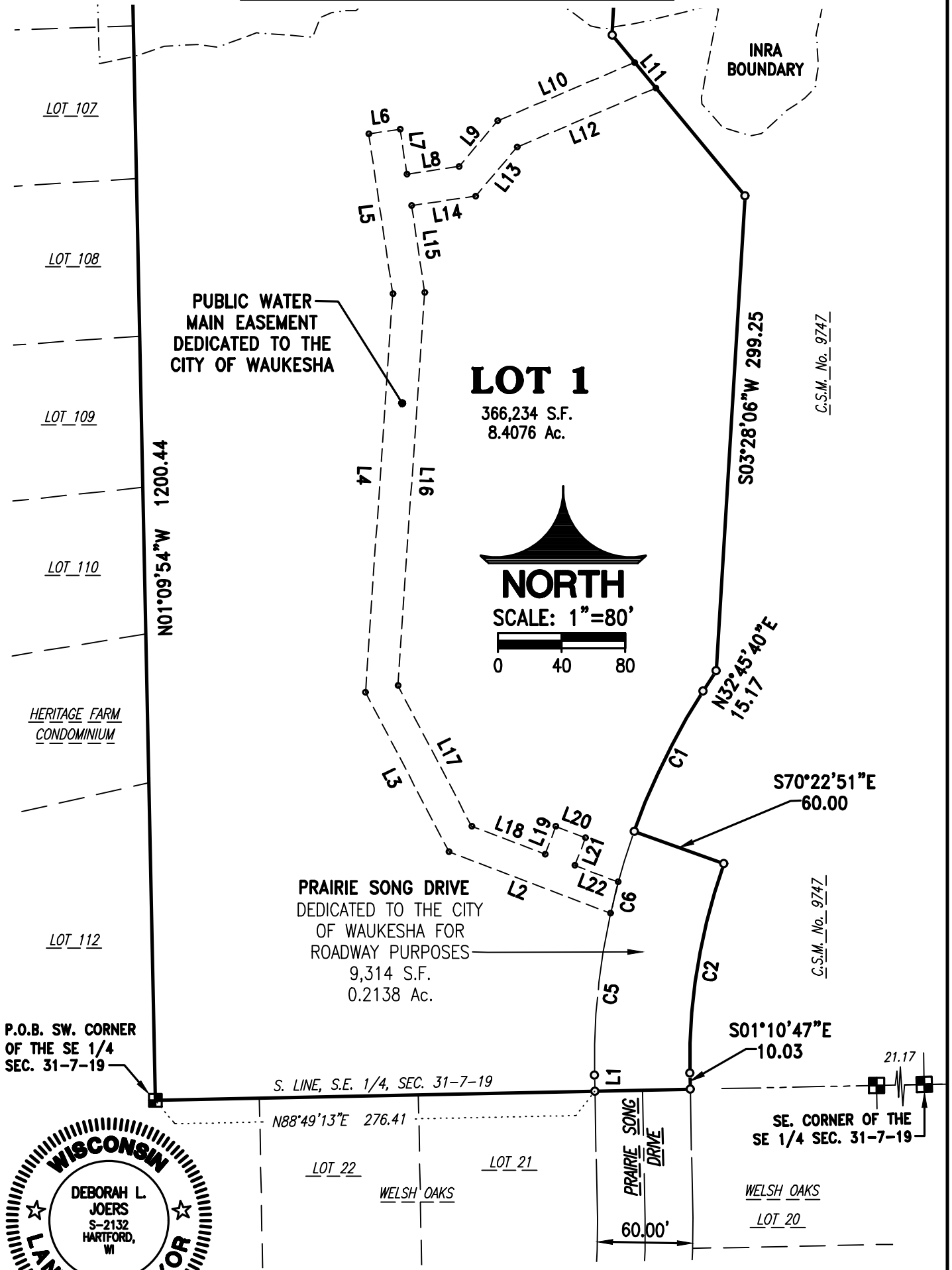
JOB NO. 01-006-966  
SHEET 1 OF 5

C:\Users\field\computer\Documents\Debs Work\PRAIRIE SONG\530CSM01.dwg

# CERTIFIED SURVEY MAP NO. \_\_\_\_\_

ALL THAT PART OF LOT 3 OF CERTIFIED SURVEY MAP NO. 8738 AND PART OF CERTIFIED SURVEY MAP NO. 9747, BEING LOCATED IN A PART OF THE SOUTHWEST 1/4 OF THE SOUTHEAST 1/4 OF SECTION 31, TOWN 7 NORTH, RANGE 19 EAST, IN THE CITY OF WAUKESHA, WAUKESHA COUNTY, WISCONSIN.

## EASEMENT DETAIL SHEET



DRAFTED THIS 30TH DAY OF JULY, 2020  
THIS INSTRUMENT WAS DRAFTED BY DEBORAH L. JOERS, S-2132

JOB NO. 01-006-966  
SHEET 2 OF 5

C:\Users\field computer\Documents\Debs Work\PRAIRIE\_SONG\530CSM01.dwg

## CERTIFIED SURVEY MAP NO. \_\_\_\_\_

ALL THAT PART OF LOT 3 OF CERTIFIED SURVEY MAP NO. 8738 AND PART OF CERTIFIED SURVEY MAP NO. 9747, BEING LOCATED IN A PART OF THE SOUTHWEST 1/4 OF THE SOUTHEAST 1/4 OF SECTION 31, TOWN 7 NORTH, RANGE 19 EAST, IN THE CITY OF WAUKESHA, WAUKESHA COUNTY, WISCONSIN.

### EASEMENT DETAIL SHEET

#### CURVE TABLE:

NO.	RADIUS	CENTRAL ANGLE	ARC	CHORD	CHORD BEARING	TANGENT IN	TANGENT OUT
C5	430.00	13°41'11"	102.72	102.47	N05°39'49"E	S12°30'24"W	S01°10'47"E
C6	430.00	2°41'06"	20.15	20.15	S13°50'58"W	S15°11'31"W	S12°30'24"W

#### LINE TABLE:

Line #	BEARING	LENGTH
L1	N01°10'47"W	10.03'
L2	N69°10'31"W	108.69'
L3	N27°39'31"W	113.24'
L4	N03°55'03"E	251.09'
L5	N08°33'37"W	101.63'
L6	N81°26'23"E	20.00'
L7	S08°33'37"E	28.55'
L8	N81°26'23"E	33.26'
L9	N40°16'37"E	37.48'
L10	N66°56'08"E	93.66'
L11	S39°33'52"E	20.86'
L12	S66°56'08"W	94.85'
L13	S40°16'37"W	40.25'
L14	S81°26'23"W	40.77'
L15	S08°33'37"E	55.26'
L16	S03°55'03"W	247.62'
L17	S27°39'31"E	100.00'
L18	S69°10'31"E	49.49'
L19	N20°49'29"E	18.73'
L20	S69°10'31"E	20.00'
L21	S20°49'29"W	18.73'
L22	S69°10'31"E	29.18'



**4100 N. CALHOUN ROAD**  
**Suite 300**  
**Brookfield, WI 53005**  
**Phone: (262) 790-1480**  
**Fax: (262) 790-1481**



DRAFTED THIS 30TH DAY OF JULY, 2020  
 THIS INSTRUMENT WAS DRAFTED BY DEBORAH L. JOERS, S-2132

JOB NO. 01-006-966  
 SHEET 3 OF 5



