



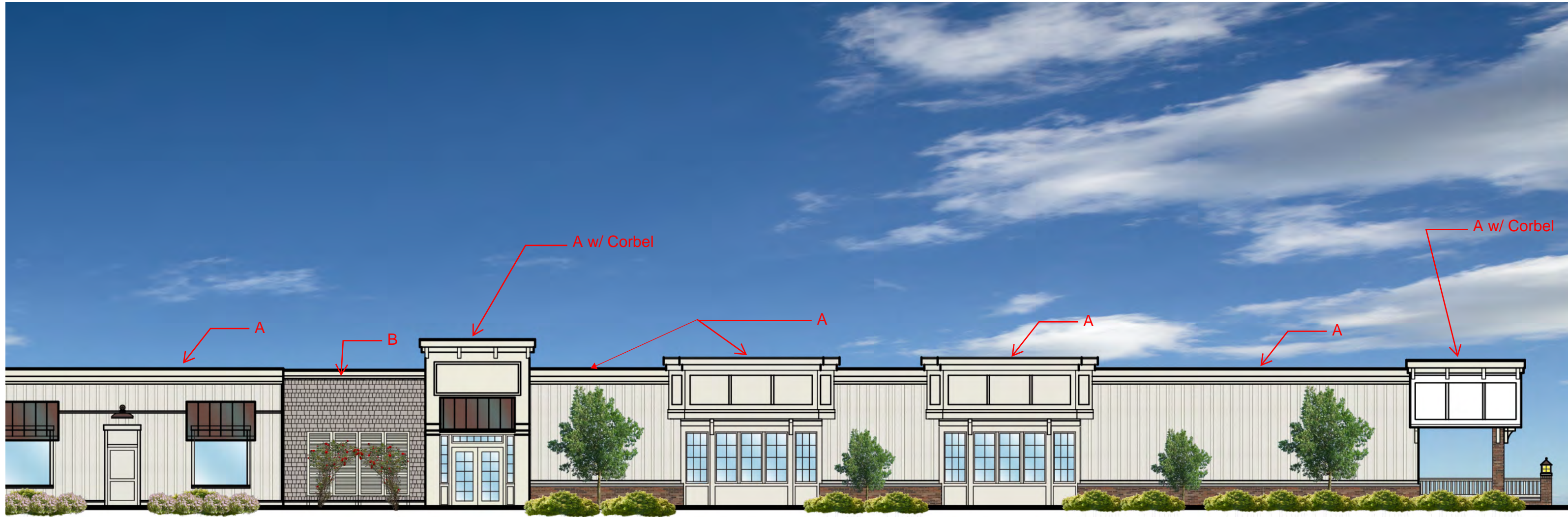
**West Elevation**



**South Elevation**



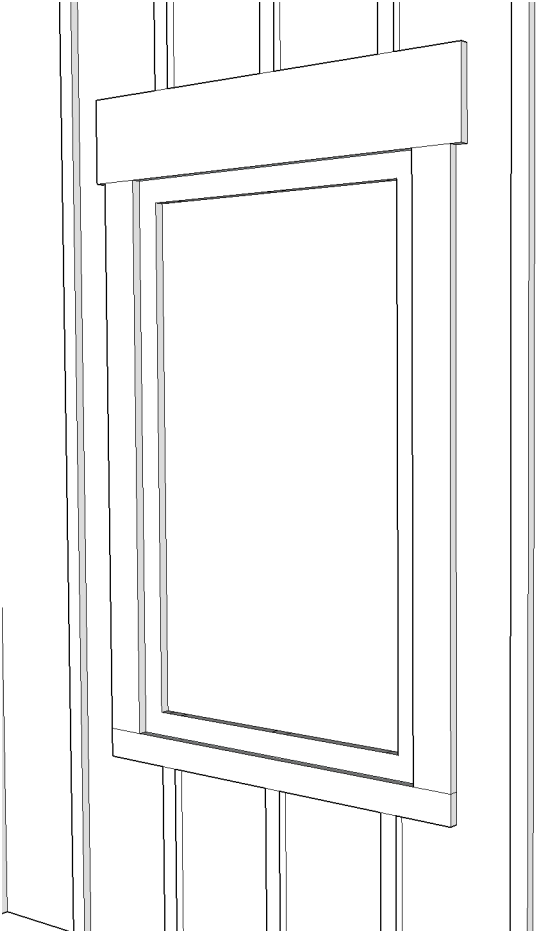
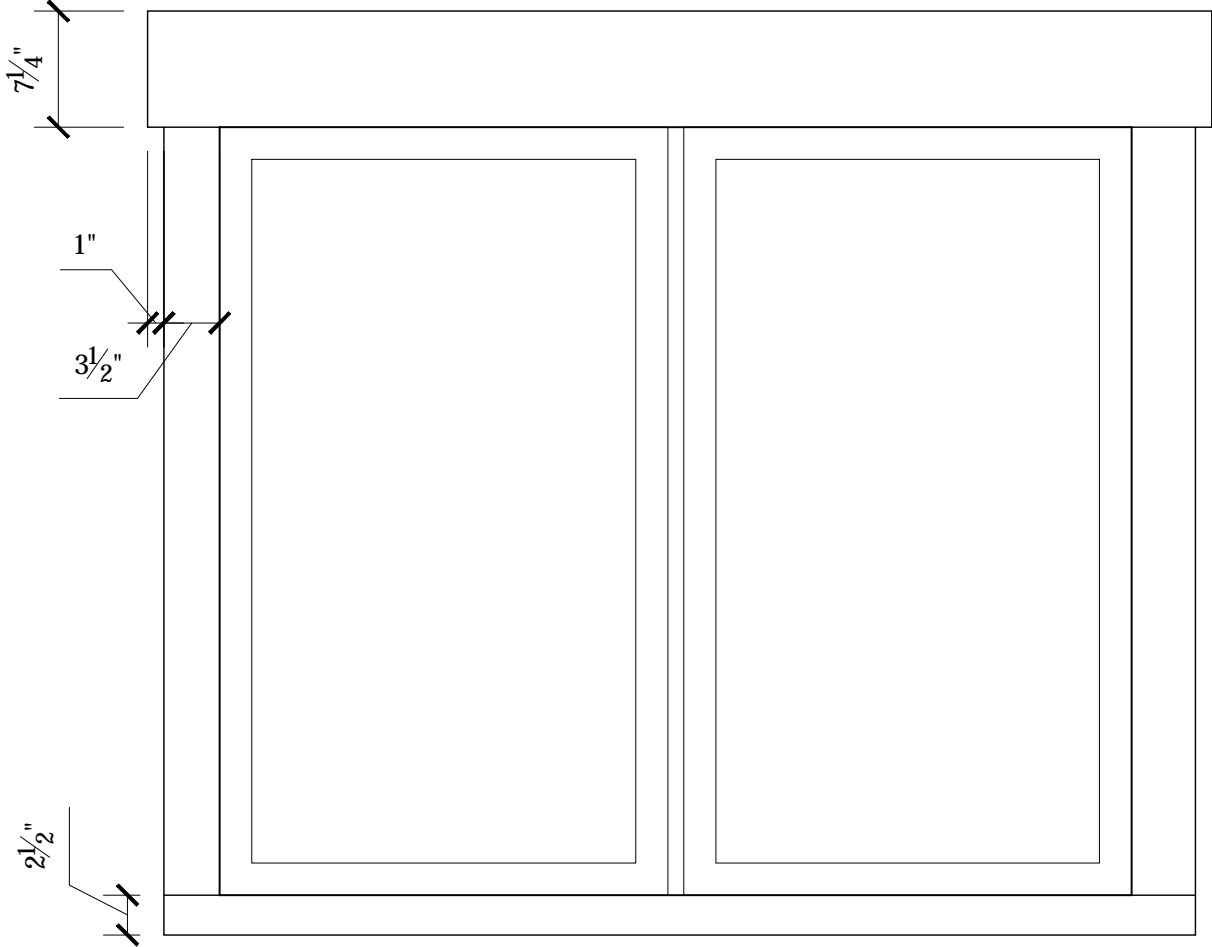
**South Elevation A**



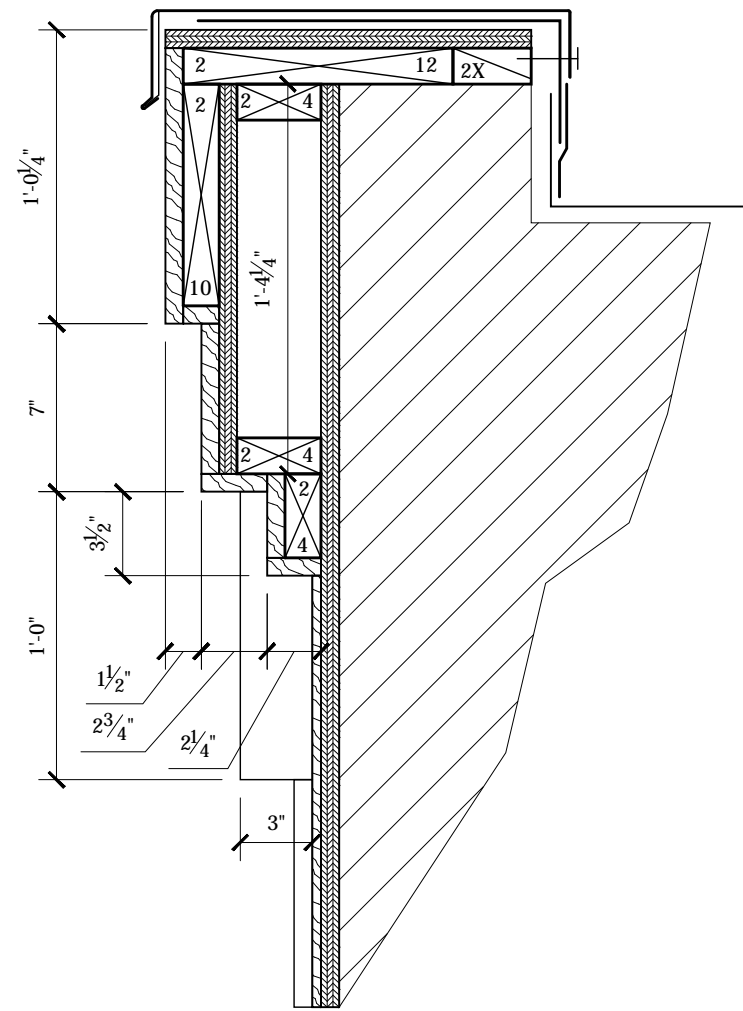
**South Elevation B**



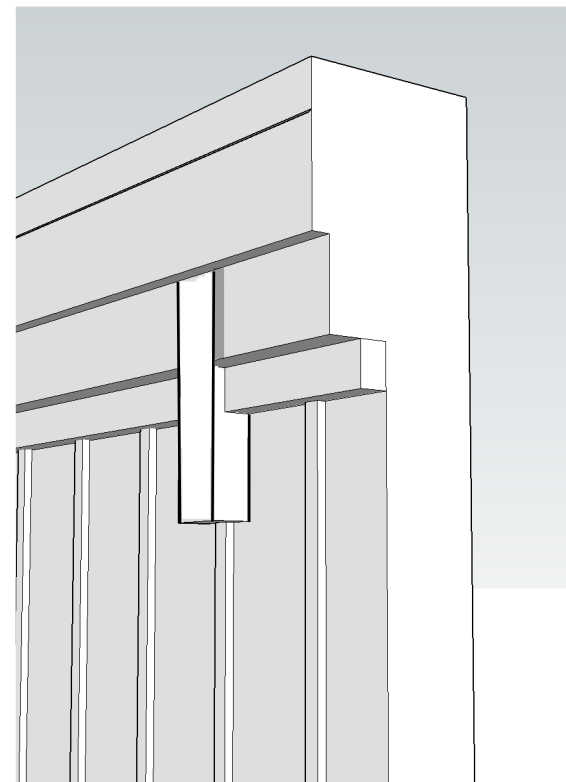
**East Elevation**



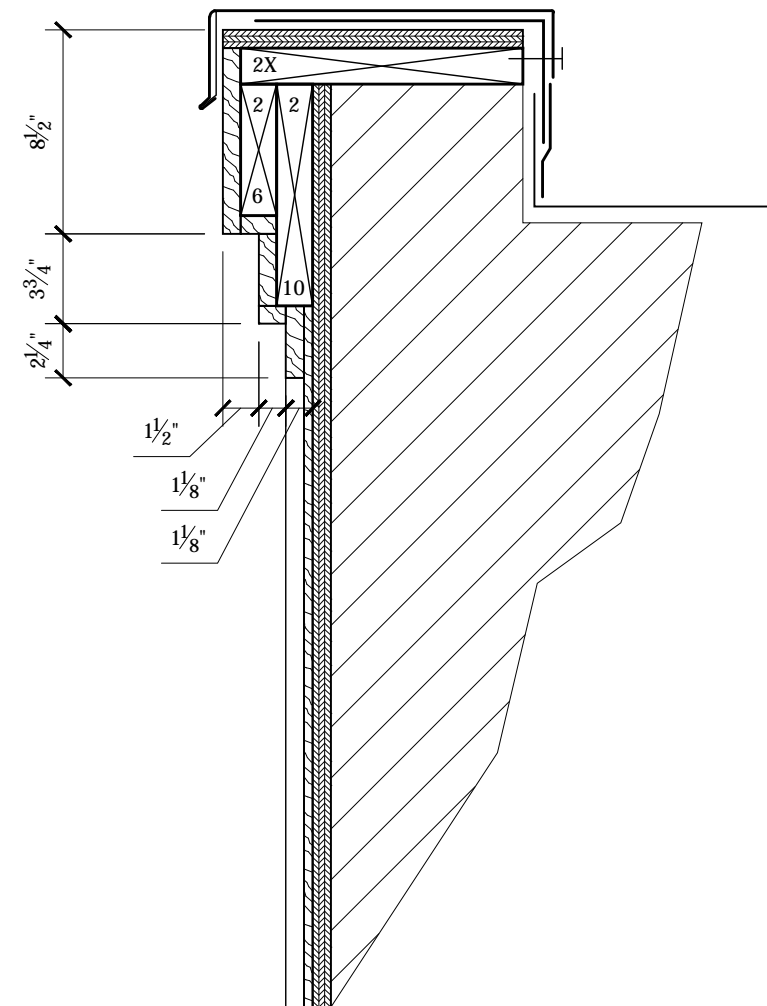
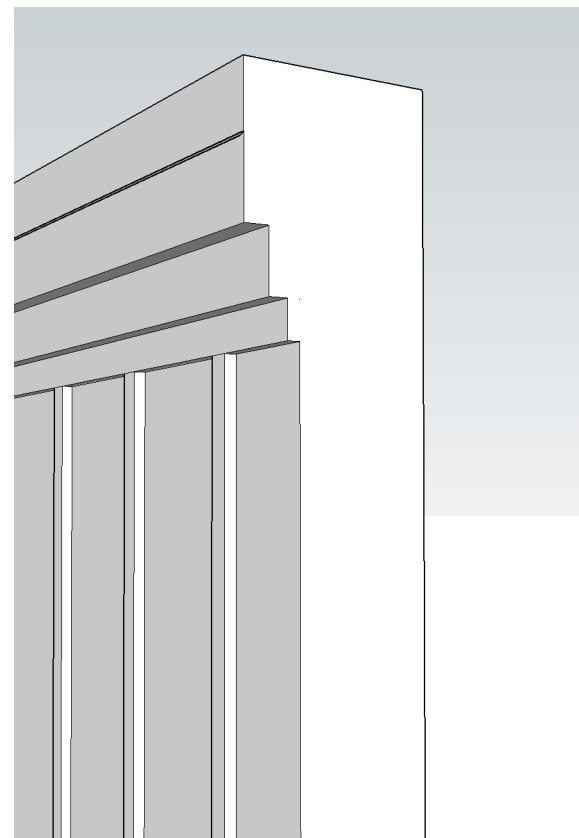
All windows are existing. This drawing shows the trim sizing for the casement windows and exit doors. The elaborate large windows have existing trim to remain.



**1** COPING PROFILE A  
NTS



more robust coping - style B



**1** COPING PROFILE B  
NTS

more robust coping - style B