





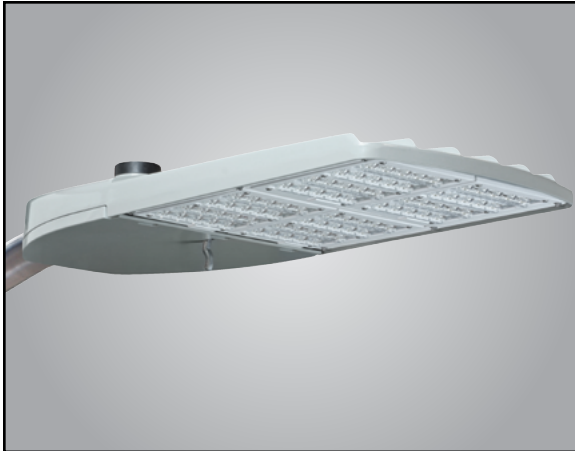


Consistent with LEED® goals & Green Globes™ criteria for light pollution reduction

R1

# Autobahn Series ATB2 Roadway Lighting

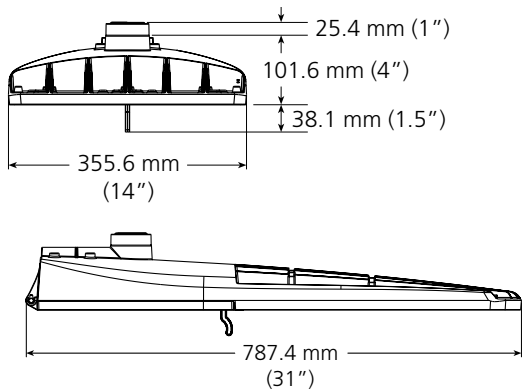
## PRODUCT OVERVIEW



### Applications:

- Roadways
- Off ramps
- Residential streets
- Parking lots

### DIMENSIONS



Effective Projected Area (EPA)  
The EPA for the ATB2 is 0.78 sq. ft.,  
Approx. Wt. = 21 lbs. (9.53 kg)

### STANDARDS

DesignLights Consortium® (DLC) qualified product. Not all versions of this product may be DLC qualified. Please check the DLC Qualified Products List at [www.designlights.org/QPL](http://www.designlights.org/QPL) to confirm which versions are qualified.

Color temperatures of  $\leq 3000\text{K}$  must be specified for International Dark-Sky Association certification.

Rated for  $-40^{\circ}\text{C}$  to  $40^{\circ}\text{C}$  ambient.

CSA Certified to U.S. and Canadian standards  
Complies with ANSI: C136.2, C136.10, C136.14, C136.31, C136.15, C136.37

Note: Specifications subject to change without notice.

Autobahn Series – AEL\_0109\_ATB2

### Features:

#### OPTICAL

**Same Light:** Performance is comparable to 250-400W HPS roadway luminaires.

**White Light:** Correlated color temperature - 4000K, 70 CRI minimum, 3000K, 70CRI minimum or optional 5000K, 70 CRI minimum.

Unique IP66 rated LED light engines provided 0% uplight and restrict backlight to within sidewalk depth, providing optimal application coverage and optimal pole spacing.

Available in Type II, III, IV, & V roadway distributions.

#### ELECTRICAL

**Expected Life:** LED light engines are rated  $>100,000$  hours at  $25^{\circ}\text{C}$ , L70. Electronic driver has an expected life of 100,000 hours at a  $25^{\circ}\text{C}$  ambient.

**Lower Energy:** Saves an average of 40-60% over comparable HPS platforms.

**Robust Surge Protection:** Three different surge protection options provide a minimum of ANSI C136.2 10kV/5kA protection. 20kV/10kA protection is also available.

#### MECHANICAL

**Easy to Maintain:** Includes standard AEL lineman-friendly features such as tool-less entry, 3 station terminal block and quick disconnects. Bubble level located inside the electrical compartment for easy leveling at installation.

Rugged die-cast aluminum housing is polyester powder-coated for durability and corrosion resistance. Rigorous five-stage pre-treating and painting process yields a finish that achieves a scribe creepage rating of 7 (per ASTM D1654) after over 5000 hours exposure to salt fog chamber (operated per ASTM B117).

Four-bolt mast arm mount is adjustable for arms from 1-1/4" to 2" (1-5/8" to 2-3/8" O.D.) diameter and provides a 3G vibration rating per ANSI C136.

Wildlife shield is cast into the housing (not a separate piece).

#### CONTROLS

NEMA 3 Pin photocontrol receptacle is standard, with the Acuity designed ANSI 7 Pin receptacle optionally available.

Premium solid state locking sale photocontrol - PCSS (10 year rated life). Extreme long life sold state locking style photocontrol - PCLL (20 year rated life).

Mult-level dimming available to provide scheduled dimming as specified by the customer.

Optional onboard Adjustable Output module allows the light output and input wattage to be modified to meet site specific requirements, and can also allow a single fixture to be flexibly applied in many different applications.

# Autobahn Series ATB2

## Roadway Lighting

### ORDERING INFORMATION

Example: ATB2 40LEDE70 MVOLT R2

Series	Performance Packages	Voltage	Optics
<b>ATB2</b> Autobahn LED Roadway	<b>40BLEDE70</b> 40B Chips, 700mA Driver <b>40BLEDE10</b> 40B Chips, 1050mA Driver <b>40BLEDE13</b> 40B Chips, 1300mA Driver <b>40BLEDE15</b> 40B Chips, 1500mA Driver <b>60BLEDE70</b> 60B Chips, 700mA Driver <b>60BLEDE85</b> 60B Chips, 850mA Driver <b>60BLEDE10</b> 60B Chips, 1050mA Driver <b>60BLEDE13</b> 60B Chips, 1300mA Driver <b>60BLEDE15</b> 60B Chips, 1500mA Driver <b>80BLEDE70</b> 80B Chips, 700mA Driver <b>80BLEDE85</b> 80B Chips, 850mA Driver <b>80BLEDE10</b> 80B Chips, 1050mA Driver <b>80BLEDE12</b> 80B Chips, 1200mA Driver <b>80BLEDE15</b> 80B Chips, 1500mA Driver	<b>MVOLT</b> Multi-volt, 120-277V <b>347</b> 347V <b>480</b> 480V	<b>R2</b> Roadway Type II <b>R3</b> Roadway Type III <b>R4</b> Roadway Type IV <b>R5</b> Roadway Type V

Options
---------

#### Color Temperature (CCT)

- (Blank)** 4000K CCT, 70 CRI Min.
- 3K** 3000K CCT, 70 CRI Min.
- 5K** 5000K CCT, 70 CRI Min.

#### Paint

- (Blank)** Gray (Standard)
- BK** Black
- BZ** Bronze
- DDB** Dark Bronze
- GI** Graphite
- WH** White

#### Surge Protection

- (Blank)** Standard 10kV/5kA SPD
- 20** 20kV/10KA SPD
- MP<sup>1</sup>** MOV Pack
- IL<sup>1</sup>** SPD with Indicator Light

#### Terminal Block

- (Blank)** Terminal Block (Standard)
- T2** Wired to L1 & L2 Positions

#### Misc.

- BL** External Bubble Level
- HS** House-Side Shield
- NL** Nema Label
- XL** Not CSA Certified
- HK** Hingekeepers

#### Controls

- (Blank)** 3 Pin NEMA Photocontrol Receptacle (Standard)
- P7<sup>2</sup>** 7 Pin Photocontrol Receptacle (Dimmable Driver Included)
- NR** No Photocontrol Receptacle
- AO<sup>2</sup>** Field Adjustable Output
- DM** 0V-10V Dimmable Driver (Controls by others)
- ML<sup>3,4</sup>** Multi-Level Dimming
- PCSS<sup>1</sup>** Solid State Lighting Photocontrol (120-277V)
- PCLL** Solid State Long Life Photocontrol
- SH** Shorting Cap

#### Packaging

- (Blank)** Single Unit (Standard)
- JP** Job Pack (24/Pallet)

#### Notes

1. Not available in 347 or 480V.
2. Not available with DM or ML options.
3. Not available with AO, DM or P7 options.
4. Dimming schedule and light level information required from the customer in order to configure product. Contact Infrastructure Technical Support to proceed.



AEL Headquarters, 3825 Columbus Road, Granville, OH 43023  
 www.americanelectricalighting.com  
 © 2014-2017 Acuity Brands Lighting, Inc. All Rights Reserved. ATB2 06/06/17

**Warranty** Five-year limited warranty. Complete warranty terms located at: [www.acuitybrands.com/CustomerResources/Terms\\_and\\_conditions.aspx](http://www.acuitybrands.com/CustomerResources/Terms_and_conditions.aspx)  
 Actual performance may differ as a result of end-user environment and application. All values are design or typical values, measured under laboratory conditions at 25 °C. Specifications subject to change without notice.

*Please contact your sales representative for the latest product information.*

# Autobahn Series ATB2

## Roadway Lighting

### PERFORMANCE PACKAGE

Performance Package	Drive Current (mA)	Input Watts	Optic	4000K CCT		LLD @ 25°C		
				Delivered Lumens	Efficacy (LPW)	50k Hours	75k Hours	100k Hours
40B	700	88	R2	11607	132	0.97	0.97	0.96
	1000	133		16360	123	0.95	0.93	0.92
	1300	171		19544	114	0.93	0.90	0.87
	1500	198		21384	108	0.93	0.90	0.87
	700	88	R3	11552	131	0.97	0.97	0.96
	1000	133		16249	122	0.95	0.93	0.92
	1300	171		19462	114	0.93	0.90	0.87
	1500	198		21331	108	0.93	0.90	0.87
	700	88	R4	11768	134	0.97	0.97	0.96
	1000	133		16593	125	0.95	0.93	0.92
	1300	171		19877	116	0.93	0.90	0.87
	1500	198		21799	110	0.93	0.90	0.87
	700	88	R5	12388	141	0.97	0.97	0.96
	1000	133		17499	132	0.95	0.93	0.92
	1300	171		20795	122	0.93	0.90	0.87
1500	198	22828		115	0.93	0.90	0.87	
60B	700	130	R2	18193	140	0.97	0.97	0.96
	850	165		21436	130	0.95	0.93	0.92
	1000	204		24940	122	0.95	0.93	0.92
	1300	254		29357	116	0.93	0.90	0.87
	1500	291		32052	110	0.93	0.90	0.87
	700	130	R3	17714	136	0.97	0.97	0.96
	850	165		21351	129	0.95	0.93	0.92
	1000	204		25520	125	0.95	0.93	0.92
	1300	254		29991	118	0.93	0.90	0.87
	1500	291		32709	112	0.93	0.90	0.87
	700	130	R4	17984	138	0.97	0.97	0.96
	850	165		21446	130	0.95	0.93	0.92
	1000	204		25423	125	0.95	0.93	0.92
	1300	254		29898	118	0.93	0.90	0.87
	1500	291		32527	112	0.93	0.90	0.87
	700	130	R5	18561	143	0.97	0.97	0.96
	850	165		22402	136	0.95	0.93	0.92
	1000	204		26128	128	0.95	0.93	0.92
1300	254	30964		122	0.93	0.90	0.87	
1500	291	33922		117	0.93	0.90	0.87	
80B	700	177	R2	23037	130	0.97	0.97	0.96
	850	214		27086	127	0.95	0.93	0.92
	1000	268		31920	119	0.95	0.93	0.92
	1200	330		36826	112	0.93	0.90	0.88
	1500	388		40326	104	0.91	0.87	0.83
	700	177	R3	23934	135	0.97	0.97	0.96
	850	214		26879	126	0.95	0.93	0.92
	1000	268		32416	121	0.95	0.93	0.92
	1200	330		37042	112	0.93	0.90	0.88
	1500	388		41858	108	0.91	0.87	0.83
	700	177	R4	23230	131	0.97	0.97	0.96
	850	214		27263	127	0.95	0.93	0.92
	1000	268		32329	121	0.95	0.93	0.92
	1200	330		37293	113	0.93	0.90	0.88
	1500	388		41611	107	0.91	0.87	0.83
	700	177	R5	24776	140	0.97	0.97	0.96
	850	214		28865	135	0.95	0.93	0.92
	1000	268		34319	128	0.95	0.93	0.92
1200	330	39552		120	0.93	0.9	0.88	
1500	388	44747		115	0.91	0.87	0.83	

**Note:** Information shown above is based on 4000K nominal system data. To calculate 3000K lumen values, multiply the 4000K lumens by .93. Individual fixture performance may vary. Specifications subject to change without notice.

ATB2 LLD Multiplier	15°C	20°C	25°C	30°C	35°C	40°C
	1.02	1.01	1	0.99	0.97	0.96

To calculate the LLD for a temperature other than 25°C, multiply the LLD @ 25°C (shown in the performance package table) by the LLD multiplier for the selected temperature.



AEL Headquarters, 3825 Columbus Road, Granville, OH 43023  
 www.americanelectricalighting.com  
 © 2014-2017 Acuity Brands Lighting, Inc. All Rights Reserved. ATB2 06/06/17

**Warranty** Five-year limited warranty. Complete warranty terms located at: [www.acuitybrands.com/CustomerResources/Terms\\_and\\_conditions.aspx](http://www.acuitybrands.com/CustomerResources/Terms_and_conditions.aspx)  
 Actual performance may differ as a result of end-user environment and application. All values are design or typical values, measured under laboratory conditions at 25 °C. Specifications subject to change without notice.

*Please contact your sales representative for the latest product information.*



Provides a comfortable 60° cut-off to both the actual and reflected source. Utilizes a robust frame-in kit, light engine and reflector design that is designed for a wide variety of installation conditions with a plenum depth of 4-1/2".

Project: \_\_\_\_\_  
 Location: \_\_\_\_\_  
 Cat.No: \_\_\_\_\_  
 Type: **C2**  
 Lamps: \_\_\_\_\_ Qty: \_\_\_\_\_  
 Notes: \_\_\_\_\_

### Frame (frame + trim = complete product)

example: 6RN

Series	Aperture	Installation	Options
6 6-inch Non-IC	R Round	N New construction (Non-IC)	— Universal 120/277V (specify for Power Over Ethernet) LC Chicago Plenum EM Emergency <sup>1</sup>
		R Remodeler (Non-IC)	— Universal 120/277V (specify for Power Over Ethernet) 3 347V (not compatible with ELV dimming)
		A AirSeal (IC) <sup>1</sup>	— Universal 120/277V (specify for Power Over Ethernet) 3IP 347V with Interact Pro (for use with 0-10V engines only) IP Interact Pro (for use with 0-10V engines only)

### Trim

example: P6RDL20835CDZ10U

Series	Style	Lumen	CRI/CCT	Reflector	Flange	Dimming <sup>2</sup>	Voltage
P6R LyteProfile 6-inch Round	DL Downlight LW Lensed Wall Wash	10 1000lm	827 80CRI / 2700K	CL Specular clear	— White (matte)	Z10 0-10V 1% L Lutron LDE1 EcoSystem (fade-to-black)	U Universal 120/277/347V
		15 1500lm	830 80CRI / 3000K	CC Comfort clear	P Polished		
		20 2000lm	835 80CRI / 3500K	CD Comfort clear diffuse	— White (matte) B Black (matte)	P Power over Ethernet (PoE) E Ethernet 48V DC	
		25 2500lm	840 80CRI / 4000K	WH White (matte)			
		30 3000lm	850 80CRI / 5000K	BK Black (matte)			
		35 3500lm					

Only compatible with 1000 (10) to 2500 (25) lumen configurations

### Accessories

- CAEM** Field installable EM pack (for use with new construction frame only)
- AMS** ActiLume multi-sensor (optional accessory for PoE configurations)
- SWZDT** SpaceWise wireless controller with dwell time functionality (compatible with all 0-10V options, see SWZDT spec sheet)
- SRAINT** InterAct Office Accessory (for use with Lightolier UniFrame 0-10V products)

1. Emergency (EM) frame includes emergency battery with ceiling and reflector mountable test switch (see page 2 for details and limitations).  
 Integral emergency battery not compatible with Power over Ethernet configurations.  
 2. Consult factory for available Dali and 0-10V dimming to 0.1% availability.

Note: For reflector mounted test switch add "EM" to end of catalog code (example: P6RDL20835CDZ10UEM). Leave blank for ceiling mounted test switch. Reflector mounted test switch requires above ceiling access and 1.25" max ceiling thickness for downlight only. See LED-EM spec sheet for more details.

# P6R LyteProfile 6"

## Round Downlight & Lensed Wall Wash

### Features

#### Optics

- Provides a 60° cutoff (physical and reflected)
- Wide beam distribution for general illumination
- Spun and anodized reflectors available in specular (clear), semi-specular (comfort clear and diffuse finishes. Also available in white and black painted finishes.

#### Quality of light

- Lumen Maintenance: L80 at 60,000 hours
- Color consistency: 3 SDCM
- 80 CRI minimum

#### Construction (New Construction)

- Galvanized stamped steel for dry / plaster ceilings.
- Pre-installed telescoping mounting bars (13"-24")
- Frame accommodates C- channel, black iron, and 3/4" EMT for mounting distances greater than 24" between joists.
- Manufactured from 20 gage galvanized steel construction with rolled edge aperture to guide cutting tools for perfect hole cutting.

**Max ceiling thickness is 2" (51 mm).  
Including PoE frame 4.88" (124 mm).**

#### Patented install Mounting frame

- Pre-installed mounting bars allow for fast and tool-less install into T-grid & hat channel ceilings
- Close-cut aperture design eliminates an undesired gap between ceiling material and reflector.
- Simple plug-and-play connection between frame and light engine from below the ceiling allows for:
  - Easy upgrades
  - Technology changes
  - Repairs and troubleshooting

#### Dimming

- Advance 0-10V 1% dimming
- Lutron Hi-lume EcoSystem H Series 1% dimming
- EldoLED ECOdrive Dali 1% dimming
- EldoLED SOLOdrive 0-10V 0.1% dimming
- EldoLED DMX POWERdrive

#### Light engine

- Quick connect power pack allow for easy installation and replacement from below ceiling with no need for additional wiring. This allows for:
- Frame and ceiling installation to be performed while still finalizing details such as lumen packages, CCT and control type.
  - Easy replacement of electronics at end of life with minimal wasted material and labor required.
  - Ease and upgradability of technology.

### Optical systems

#### Comfort throughout the space:

True 50° physical cutoff and 45° reflected cutoff

#### Quality of light:

2 SDCM ensures color consistency from fixture to fixture and over the luminaire's long lifetime.

### Wired Controls Options

#### Interact Office Wired (PoE):

- PoE based IoT connected lighting solution for large enterprises that span across multiple floors, buildings and require multiple gateways.
- Use Interact Office software and insights to increase building efficiency, achieve building wide integration and optimize space through occupancy analytics.
- Supports advanced IoT Apps on Personal Control, Space Management, wayfinding, room/desk reservation and offers open APIs for light control and data exchange.
- PoE lighting controller is accessible from below.
- Integral sensor option for occupancy sensing (PIR) and/or daylight harvesting available for additional energy savings.
- Optional integral emergency controller and battery pack provides 600lm nominal output.
- Test switch and indicator light mounted on side of chassis on one end.
- Emergency battery has a 3 month pre-installed shelf life, and must be stored and installed in environments of 20C to 30C (-4F to 86F) ambient, and 45-85% relative humidity.
- For more information on Interact Office Wired, visit: [www.interact-lighting.com/office](http://www.interact-lighting.com/office) or [www.usa.lighting.philips.com/systems/systemareas/offices](http://www.usa.lighting.philips.com/systems/systemareas/offices).

#### Interact Office Wired (PoE), Static White and Tunable White:

- A wireless IoT connected lighting solution for large enterprises that span across multiple floors, buildings and require multiple gateways.
- View all your projects under one dashboard and easily compare insights from multiple projects in one view.
- Compatible Zigbee Green Power wall dimmer and wireless Occupancy or Daylight & Occupancy sensors available.
- Use Interact Office software and insights to increase building efficiency, achieve building wide integration and optimize space through occupancy analytics.
- Supports advanced IoT Apps on wayfinding, room/desk reservation and offers open APIs
- Requires compatible Interact Office Gateway and internet connectivity for commissioning.
- For more information on Interact Office Wireless, visit: [www.interact-lighting.com/office](http://www.interact-lighting.com/office) or [www.usa.lighting.philips.com/systems/systemareas/offices](http://www.usa.lighting.philips.com/systems/systemareas/offices).

### Interact Pro (IAP)

- Interact Pro brings the power of connected lighting to small and medium businesses without the complexity usually associated with connected lighting.
- Interact Pro includes an app, a portal and a broad portfolio of wireless Luminaires, lamps and retrofit kits all working on the same system.
- Commissioning via Interact Pro App (Android or iPhone).
- Prepare commissioning remotely via Interact Pro portal.
- Requires compatible Interact Pro Gateway and internet connectivity for commissioning.
- Compatible with UID8451/10 ZigBee Greenpower wireless dimmer switch.
- Compatible with wireless Occ sensor (OCC SENSOR IA CM IP42 WH 10/1) or wireless Day/Occ sensor (OCC MULTI SENSOR IA CM WH 10/1).
- For more information on Interact Pro visit: [www.interact-lighting.com/pro](http://www.interact-lighting.com/pro).
- For more information on Interact Ready visit: [www.philips.com/interact-ready](http://www.philips.com/interact-ready).

### Power over Ethernet

#### Powered via Philips PoE lighting controller:

complies with FCC rules per Title 47 part 15 (Class A) for EMI / RFI (conducted & radiated). PoE lighting controller accessible from below ceiling.

**Rated life:** 60,000 hrs at 80% lumen maintenance based on IES LM-80-08 and TM-21-11.

### Emergency

For reflector mounted test switch add "EM" to end of the catalog code (example: P6RDL20835CDZ10UEM). Leave blank for ceiling mounted test switch.

Reflector mounted test switch requires above ceiling access and 1.25" max ceiling thickness for downlight only. See LED-EM spec sheet for more details.

### ENERGY STAR® exceptions

- 500lm configurations
- Black finishes
- PoE drivers

### Labels and Listings

- cULus listed for wet locations
- CCEA (frames with \*LC suffix)
- ENERGY STAR® certified
- RoHS certified

### Warranty

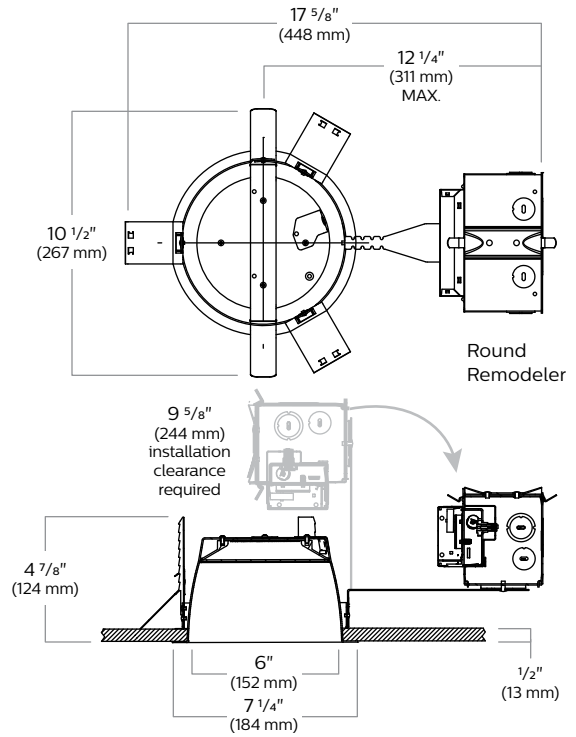
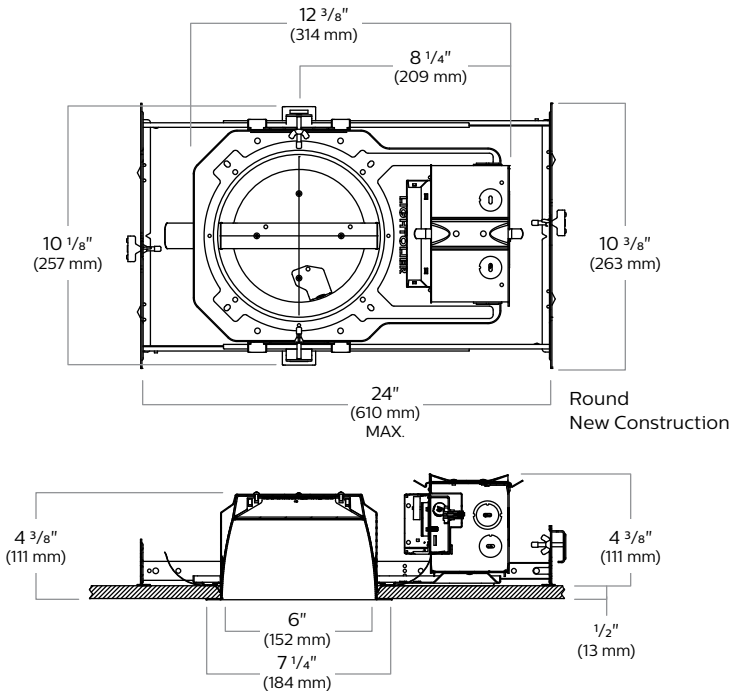


5 year limited warranty  
Visit [Signify.com/warranties](http://Signify.com/warranties) for more information on Signify's standard 5-year limited warranty on complete luminaire systems.

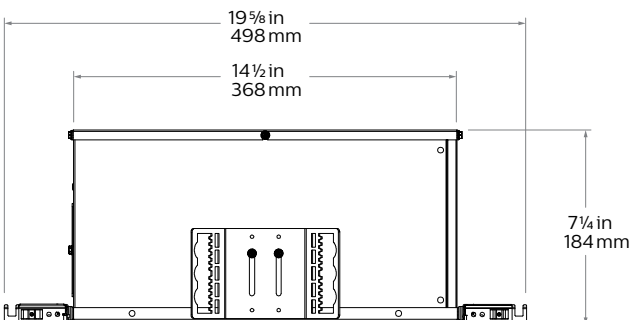
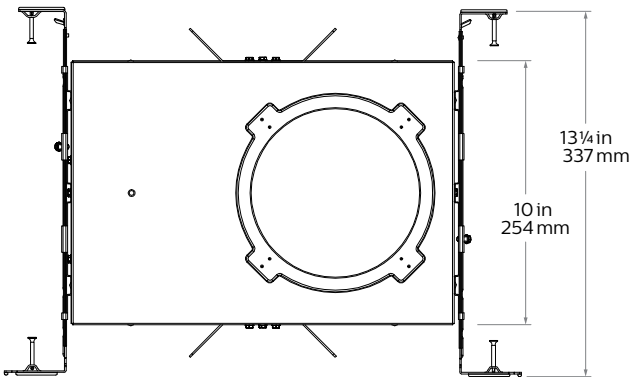
# P6R LyteProfile 6"

## Round Downlight & Lensed Wall Wash

### Dimensions



### AirSeal (A)



### Electrical

Product	Input Volts	Input Freq.	Input Current (A)	Input Power (W)
P6*10*Z10U	120	50/60Hz	0.083	10
	277		0.038	10
P6*15*Z10U	120	50/60Hz	0.125	15
	277		0.061	15
P6*20*Z10U	120	50/60Hz	0.17	21
	277		0.078	21
P6*25*Z10U	120	50/60Hz	0.21	25
	277		0.096	26
P6*30*Z10U	120	50/60Hz	0.27	32
	277		0.12	33
P6*35*Z10U	120	50/60Hz	0.32	38
	277		0.14	37

Product	Input Volts	Input Freq.	Input Current (A)	Input Power (W)
P6*10*LU	120	50/60Hz	0.093	10
	277		0.046	10
P6*15*LU	120	50/60Hz	0.13	15
	277		0.07	15
P6*20*LU	120	50/60Hz	0.175	20
	277		0.085	21
P6*25*LU	120	50/60Hz	0.21	25
	277		0.099	25
P6*30*LU	120	50/60Hz	0.274	31
	277		0.122	31
P6*35*LU	120	50/60Hz	0.32	36
	277		0.14	37

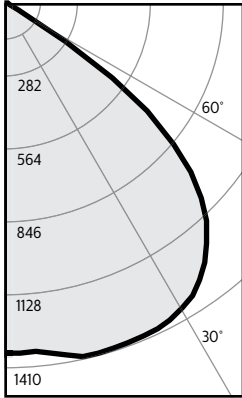


# P6R LyteProfile 6"

## Round Downlight & Lensed Wall Wash

### P6RDL30835CLZ10U • 30W LED, 80 CRI, 3500 K

#### Candela Curves



Angle	Mean CP	Lumens
0	1361	131
5	1362	
10	1391	
15	1408	398
20	1403	
25	1397	644
30	1372	
35	1316	820
40	1218	
45	1073	816
50	852	
55	506	428
60	60	
65	12	17
70	6	
75	3	4
80	2	
85	1	1
90	0	

#### Single unit data

Height to Lighted Plane	Initial center beam foot-candles	Beam dia. (ft)*
5'	54	7.5'
6'	38	9.0'
7'	28	10.5'
8'	21	12.0'
9'	17	13.5'

\* Beam diameter is where foot-candles drop to 50% of maximum.

#### Multiple unit data - RCR 2

Spacing on center	Initial center beam foot-candles	Watts per sq.ft.
5'	141.2	1.34
6'	92.7	0.88
7'	66.2	0.63
8'	55.2	0.52
9'	44.1	0.42

38"x38"x10" Room, Workplane 2.5' above floor, 80/50/20% Reflectances

#### Coefficients of utilization

Ceiling	80%				70%		50%		30%		0%
	70	50	30	10	50	10	50	10	50	10	0
Wall											

RCR Zonal cavity method - Effective floor reflectance = 20%

Room Cavity Ratio	RCR										
	0	1	2	3	4	5	6	7	8	9	10
0	119	119	119	119	116	116	111	111	106	106	100
1	112	108	105	102	106	101	102	98	98	95	90
2	104	98	93	88	96	87	93	85	90	83	80
3	97	88	82	77	87	76	84	75	81	73	70
4	90	80	72	67	78	66	76	66	74	65	62
5	83	72	64	59	71	58	69	58	67	57	55
6	77	65	58	52	65	52	63	51	61	51	49
7	72	60	52	46	59	46	57	46	56	46	44
8	67	55	47	42	54	41	53	41	51	41	39
9	62	50	43	38	50	37	48	37	47	37	35
10	58	46	39	34	46	34	45	34	44	34	32

#### Zonal lumens & percentages

Zone	Lumens	%Luminaire
0-30	1173.33	36.0%
0-40	1993.21	61.2%
0-60	3236.94	99.3%
0-90	3258.47	100.0%

#### CRI and CCT adjustment factors

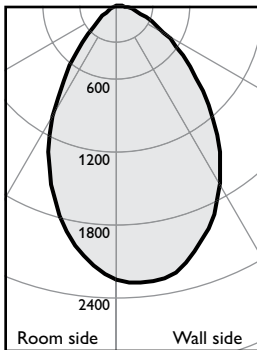
90 CRI 2700K = 84%
80 CRI 2700K = 100%
80 CRI 3000K = 100%
80 CRI 3500K = 105%

#### Report<sup>1</sup>: 1552GFR

Output lumens:	3258 lms	Efficacy:	107.5 lm/w
Spacing Criterion:	1.5	CCT <sup>3</sup> :	3500 K
Beam Angle:	101°	CRI:	80 min
Input Watts <sup>2</sup> :	30.3 W		

### P6RLW30835CLPZ10U • 30W LED, 80 CRI, 3500 K

#### Candela Curve



Report<sup>1</sup>: 1560GFR

Efficacy:	104.6 lm/w
Output lumens:	3177 lms
Input watts <sup>2</sup> :	30.3 W
CRI:	80 min
CCT <sup>3</sup> :	3500 K

#### Multiple unit data

Footcandles on wall

Distance from ceiling in feet	2' from wall		
	3' on ctr.		
1	74	48	74
2	111	91	111
3	96	90	96
4	74	72	74
5	56	56	56
6	43	44	43
7	35	35	35
8	29	29	29
9	24	24	24
10	21	21	21
12	17	17	17
14	15	15	15

#### Multiple unit data

Footcandles on wall

Distance from ceiling in feet	3' from wall		
	3' on ctr.		
1	28	25	28
2	56	54	56
3	69	67	69
4	67	67	67
5	59	59	59
6	50	50	50
7	42	42	42
8	36	36	36
9	31	31	31
10	27	27	27
12	21	21	21
14	18	18	18

#### Multiple unit data

Footcandles on wall

Distance from ceiling in feet	3' from wall		
	4' on ctr.		
1	24	18	24
2	46	38	46
3	55	49	55
4	52	49	52
5	46	45	46
6	38	38	38
7	33	33	33
8	28	28	28
9	24	24	24
10	21	21	21
12	17	17	17
14	14	15	14

1. Tested using absolute photometry as specified in LM79: IESNA Approved Method for the Electrical and Photometric Measurements of Solid-State Lighting Products.
2. Wattage: controlled to within 5%
3. Correlated Color Temperature: within specs as defined in ANSI\_NEMA\_ANSI C78.377-2008: Specifications for the Chromaticity of Solid State Lighting Products.

The information presented in this document is not intended as any commercial offer and does not form part of any quotation or contract.



## DESCRIPTION

The Lumière Eon LED 303-W1-LEDB1 is a compact, low profile, dimmable LED direct and indirect luminaire providing both uplight and downlight simultaneously. The luminaire features full vertical adjustment (180°) for easy aiming and mounts directly to any wall or ceiling surface over a standard 4" square junction box. It is standard with a universal input LED driver (120 - 277V, 50/60 Hz). Dimming is achieved with a standard ELV, reverse phase dimming driver or an optional 0-10V dimming driver. 303-W1-LEDB1 may be used indoors or outdoors and carries an IP66 rating.

<b>Catalog #</b>		<b>Type</b>
<b>Project</b>		
<b>Comments</b>		<b>Date</b>
<b>Prepared by</b>		

## SPECIFICATION FEATURES

### Construction

Head and back plate are precision machined from corrosion-resistant 6061-T6 aluminum. A universal mounting plate and one piece silicone key hole gasket is provided for adaption to junction box or surface. Stainless steel hardware is included.

### Mounting

The luminaire mounts directly to a standard 4" square junction box. For further mounting information see technical notes section on page 2.

### Optical

LightBAR™ and optical assembly are sealed by a diffused, impact resistant tempered glass lens. The uplight portion is always a T5X (Extra Wide Flood), while

the downlight portion is available in three distributions: T2 (lateral throw), T4 (forward throw) and T5X. The optical assembly is available in several color temperatures: 2700K, 3000K, 3500K, 4000K and TSAM (Amber). Both color temperature and distribution must be specified when ordering – see catalog logic for details. The specified distribution (T2, T4 or T5X) is associated with the downlight. An edge-lit option is available.

### Electrical

The 8.5W 303-W2-LEDB2 is standard with an ELV trailing edge phase dimmable driver that accepts a universal input (120-277, 50/60Hz). It will operate in -40°C to 50°C [-40°F to 122°F]. The driver incorporates surge protection. An optional 0-10V dimming driver is also available.

### Finish

The luminaires are double protected by a RoHS compliant chemical film undercoating and polyester powder coat paint finish, surpassing the rigorous demands of the outdoor environment. A variety of standard colors are available. RAL and custom color matches available upon request. Luminaires can also be brushed with a clear coat finish. The LightBAR™ cover plates are standard white and may be specified to match finish of luminaire housing (LCF).

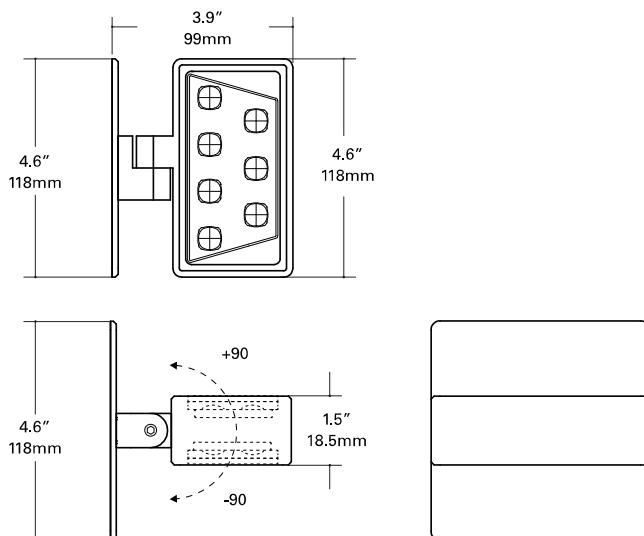
### Warranty

Lumière warrants the EON series of fixtures against defects in material and workmanship for five (5) years. Auxiliary equipment such as LED drivers carries the original manufacturer's warranty.



## 303-W2-LEDB2 EON LED

**APPLICATIONS:**  
CEILING / WALL MOUNT  
DIRECT - INDIRECT



### CERTIFICATION DATA

UL and cUL Wet Location Listed  
LM79 / LM80 Compliant  
ROHS Compliant  
IP66 Ingressed Protection Rated

### TECHNICAL DATA

35°C Maximum Temperature Rating  
External Supply Wiring 90°C Minimum

## ORDERING INFORMATION

Sample Number: 303-W2-LEDB2-2700-UNV-T2-DIM10-BK-EDGE

Series	Color Temperature	Input Voltage	Optics	Dimming	Finish <sup>1</sup>	Options <sup>2,3</sup>
303-W2-LEDB2  Head contains two (2) Mini LightBAR™ - one on top and bottom.	2700=2700K 3000=3000K 3500=3500K 4000=4000K TSAM =Turtle Safe Amber (585-595nm)	UNV=Universal 120-277, 50/60Hz	T2=Type II, Lateral Throw T4=Type IV, Forward Throw T5X=Type V, Extra Wide Flood	DIMELV=Trailing Edge Phase DIM10=0-10V Dimming	Painted BK=Black BZ=Bronze CS=City Silver WT=White <b>Premium Finish</b> BA=Brushed NSS=Solid Stainless Steel	EDGE=Edge lit glass lens LCF=LightBAR cover plate matches housing finish

NOTES: 1 Custom and RAL color matching available upon request. Consult factory for further information. 2 Add suffix in the order shown. 3 LCF option not available when WT (white) finish is selected.

**LUMEN MAINTENANCE**

Ambient Temperature	TM-21 Lumen Maintenance (72,000 Hours)	TM-21 Reported L70(10k) (Hours)	Theoretical L70 (Hours)
25°C	> 94%	> 60,000	365,000
40°C			
50°C			

**CURRENT DRAW**

Model	Line Voltage	Current Draw
303-W2-LEDB2	120-277V, 50/60Hz	0.13A

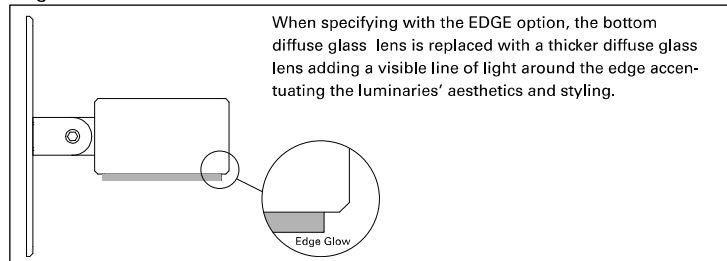
**LUMENS - CRI/CCT TABLE**

Optic Type	Distribution	Watts	Delivered Lumens <sup>1</sup>	LPW	CCT (K) / Color	CRI nom./ Wavelength
T2 (Lateral Throw)		15.5	696	45	2700	95
			1156	75	3000	75
			808	52	3500	85
			1274	82	4000	75
		12.1	354	29	TSAM (Amber)	585-595nm
T4 (Forward Throw)		15.5	653	42	2700	95
			1084	70	3000	75
			758	49	3500	80
			1195	77	4000	75
		12.1	332	28	TSAM (Amber)	585-595nm
T5X (Extra Wide Flood)		15.5	731	47	2700	95
			1214	79	3000	75
			849	55	3500	85
			1338	87	4000	75
		12.1	372	31	TSAM (Amber)	585-595nm

NOTES: 1 When the LCF option is selected use a lumen multiplier of .85

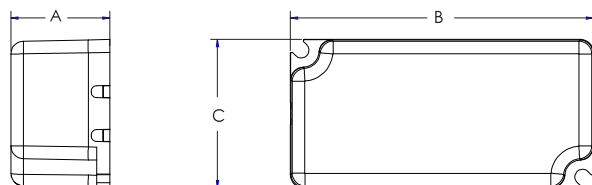
**OPTIONS**

**Edge**



**TECHNICAL NOTES**

- Junction box size and depth is important when specifying product. Recommended junction boxes include 2-1/8" deep, 4" square weld/drawn Crouse Hinds part numbers TP403, TP434, TP494, TP196, TP395 or equivalent. Use with included universal mounting plate or with Crouse-Hinds part number TP480 or equivalent cover with similar fixture mounting locations.
- The universal wall plate provided with all EON wall mount fixtures can be used with an outdoor rated two gang 30.5 cubic inch capacity outlet box. Cooper Crouse-Hinds part numbers TP7086 – TP7122 or equivalent. The universal mounting plate will attach with four (4) 6-32 pan head/flat stainless steel screws (not provided).
- Driver can be remote mounted in a junction box a max distance of 25 feet (voltage drop needs to be considered) or placed in the junction box behind the luminaire.
- When specifying with the EDGE option, the diffused glass becomes thicker adding a visible line of light around the edge accentuating the luminaires' aesthetics and styling.
- If Luminaire will not be dimmed, the Luminaire must be ordered with DIMELV option, but does not have to be dimmed.
- Driver Dimensions:



Luminaire Type	Dimming Type	Driver Dimensions in [mm]		
		A	B	C
303-W2-LEDB2	DIMELV	.98 [25.0]	3.36 [85.3]	1.49 [37.9]
	DIM10	1.18 [30.0]	3.49 [88.6]	1.64 [41.6]