



**PROPOSED EXTERIOR LIGHTING
PACKAGE FOR:**

BEAUDRY SERVICES
1522 PEARL STREET
WAUKESHA, WI

FOR CITY OF WAUKESHA PLAN COMMISION SUBMITTAL

75 Enterprise Rd.
262-646-6828

Delafield, WI 53018
262-646-6829

www.lyons-electric.com



Project: _____
 Location: _____
 Cat.No: _____
 Type: _____
 Lamps: _____ Qty: _____
 Notes: _____

Philips Gardco LED floodlight FX2 features a sleek design with precision injection molded optics. The numerous optical distributions provide versatility for use in many outdoor lighting applications.

Ordering guide

example: FX2160G2TAA33NA5EDDSP2

Luminaire	Number of LEDs	Generation	Mounting	Finish	Distributions	LED Selection	Voltage	Drive Current	Photo Control ³	Dimming Control ⁴	Surge Suppression
FX2		G2	T								
FX2 LED floodlight	128 128 LEDs	G2 Generation 2	T Tenon (1.5" - 2.375" O.D.)	A Black B White H Bronze I Gray	SP Spot (12" round) RSP Rectangular Spot RM Rectangular Medium Flood RN Rectangular Narrow Flood A33 Asymmetric 33" Flood	N Neutral White 4000K, 70 CRI C Cool White 5700K, 70 CRI W Warm White 3000K, 70 CRI	A 120-277 VAC (50/60Hz) B 347-480 VAC (50/60Hz)	3 350 mA 5 530mA 6³ 630mA	E 120 VAC Button Eye H 208/240/277 VAC Button Eye N None	Standard: DMG 0-10V Dimming Driver (controls by others) Optional DynaDimmer:¹ DA 4 Hrs 25% Reduction DB 4 Hrs 50% Reduction DC 4 Hrs 75% Reduction DD 6 Hrs 25% Reduction DE 6 Hrs 50% Reduction DF 6 Hrs 75% Reduction DG 8 Hrs 25% Reduction DH 8 Hrs 50% Reduction DJ 8 Hrs 75% Reduction DZ Custom Dimming Schedule N None	Standard: SP1 Standard 10kV 5kA Optional: SP2 Optional 20kV 10kA

1. Available in 120-277VAC (A) only.
 2. If using dimming in conjunction with a motion sensor, consult factory.
 3. The 630mA (6) drive current is only available with 160LED (160) option and it is not available with 347-480VAC (B) voltage.

FX2 LED floodlight

Floodlights

Accessories

Shield Accessories

(order separately, field installed, specify Finish at placeholder F)

FX1-V Vandal Shield

FX1-G-(F) Glare Shield

Note: Can use Vandal Shield and Glare Shield together. For FX2 order quantity two (2) Accessories.

Mounting Accessories

(order separately, specify Finish at placeholder F)

FX1-WBT-(F) Wall Mount Arm with 2-3/8" tenon (weight: 4 lbs, EPA: 0.25 sq.ft.)

FX1-RSB-2-(F) Twin Mount Bullhorn

FX1-RSB-3-(F) Triple Mount Bullhorn

FX1-RSB-3-120-(F) Triple Mount Bullhorn @ 120 degrees

FX1-RSB-4-(F) Quad Mount Bullhorn

FX1-RSB-4-90-(F) Quad Mount Bullhorn @ 90 degrees

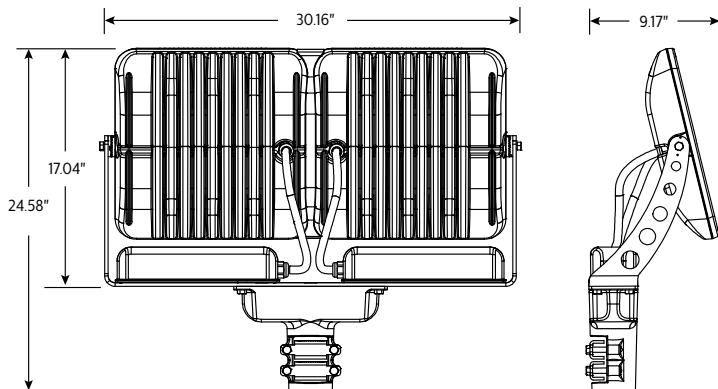
Note: Accessories have FX1 prefix, but are used with both FX1 and FX2, EXCEPT for SM which is FX1 only (not shown above).

LED Wattage and Lumen Values

Neutral White Ordering Codes	Total LEDs	LED Current (mA)	Color Temp. (K)	Average System Wattage ¹	SP		RSP		RM		RN		A33	
					Lumen Output ^{2,3}	Efficacy (LPW)	Lumen Output ^{2,3}	Efficacy (LPW)	Lumen Output ^{2,3}	Efficacy (LPW)	Lumen Output ^{2,3}	Efficacy (LPW)	Lumen Output ^{2,3}	Efficacy (LPW)
FX2128G2...N...3	128	350	4000	139	17888	129	16100	116	16204	117	16399	118	17086	123
FX2128G2...N...5	128	530	4000	210	26087	124	23480	112	23632	112	23916	114	24918	118
FX2160G2...N...3	160	350	4000	171	22376	131	20140	118	20270	119	20513	120	21373	125
FX2160G2...N...5	160	530	4000	261	32771	126	29496	113	29687	114	30043	115	31302	120
FX2160G2...N...6	160	630	4000	311	37667	121	33903	109	34122	110	34532	111	35979	116

1. Wattage and lumen output may vary by +/- 8% due to LED manufacturer forward volt specification and ambient temperature. Wattage shown is average for 120V through 277V input. Actual wattage may vary by an additional +/- 10% due to actual input voltage.
2. Lumen values based on photometric tests performed in compliance with IESNA LM-79.
3. Contact outdoorlighting.applications@philips.com for additional photometric tests or information.

Dimensions



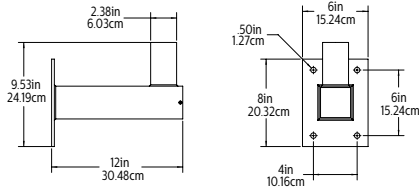
- Width**
9.17"
- Height**
24.58"
- Length**
30.16"
- EPA**
2.9 sq. ft
- Max. Weight**
45 lbs
- IESNA classifications**
See IES files.

FX2 LED floodlight

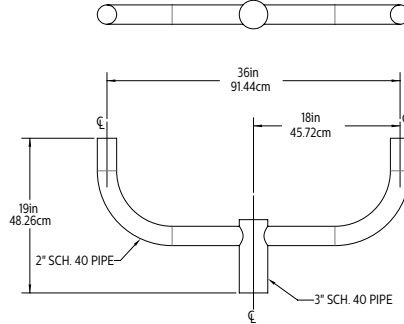
Floodlights

Dimensions

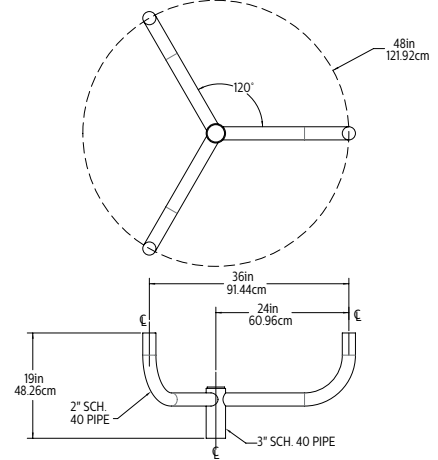
Wall Arm Mount



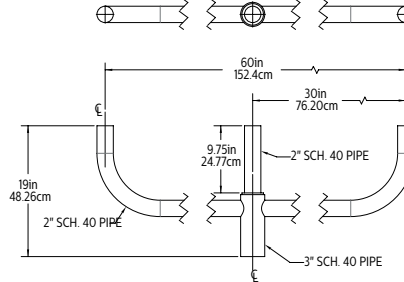
RSB-2



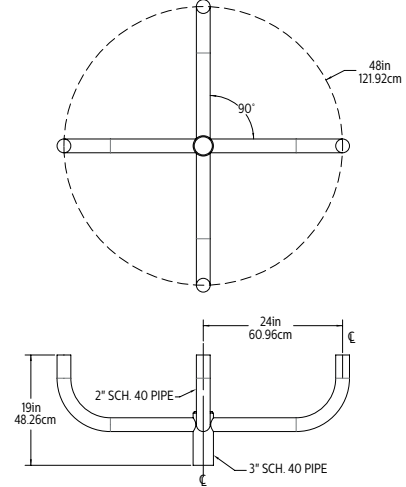
RSB-3-120



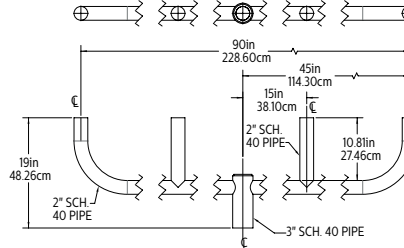
RSB-3



RSB-4-90



RSB-4



Specifications

Housing, Heat Sink and Lens Assembly

The housing is constructed of low copper die-cast aluminum with a sleek contemporary design and low EPA. The housing is a unique thermal dissipating design with wide channels that allow for natural removal of dirt and debris. The tempered glass lens is held in place with a low copper die cast aluminum lens frame and stainless steel hardware, one piece silicone gasket provides IP66 seal.

Mounting

The FX2 has one mounting option, Tenon Mount. The tenon mount option includes a cast aluminum adaptor, cast from low copper aluminum allow for mounting to a 1.5" to 2.375" O.D. vertical tenon. The FX2 utilizes a dual clamp mounting system made from HSLA structural steel that is zinc plated to protect against corrosion. The FX2 is field rotatable by 10 degree increments (180 degrees backward and 90 degrees forward) on a yoke which is formed from a 1/4" thick, laser-cut aluminum sheet.

LED Module

Composed of high performance white LEDs. Color temperatures as per ANSI/NEMA bin Warm White, 3000 Kelvin nominal (3045 +/- 175K or 2870K to 3220K), Neutral White, 4000 Kelvin nominal (3985 +/- 275K or 3710K to 4260K), or Cool White, 5700 Kelvin Nominal (5667 +/- 355K or 5312K to 6020K), CRI 70 Min. LEDs tested by ISO 17025-2005 accredited lab in accordance with IESNA LM-80 guidelines extrapolations in accordance with IESNA TM-21. Metal core board ensures greater heat transfer and longer lifespan. RoHS compliant.

FX2 LED floodlight

Floodlights

Specifications

Optical System

Choice of Spot (SP), Rectangular Spot (RSP), Asymmetric 33° Flood (A33), Rectangular Narrow Flood (RN) and Rectangular Medium Flood (RM). Composed of high performance UV stabilized optical grade polymer refractor lenses to achieve desired distribution optimized to get maximum spacing, target lumens and a superior lighting uniformity. Performance shall be tested per LM-63, LM-79 and TM-15 (IESNA) certifying its photometric performance.

Driver

Driver comes standard with dimming compatible 0-10V. High power factor of 90%. Electronic driver, operating range 50/60 Hz. Auto adjusting universal voltage input from 120 to 277 VAC or 347 to 480 VAC rated for both application line to line or line to neutral, Class I, THD of 20% max. Certified in compliance to UL1310 cULus requirement (dry and damp location). The current supplying the LEDs will be reduced by the driver if the driver experiences internal overheating as a protection to the LEDs and the electrical components. Output is protected from short circuits, voltage overload and current overload. Automatic recovery after correction. Standard built in driver surge protection of 2.5kV (min).

Finish

Thermoset polyester powdercoat is electrostatically applied after a five-stage conversion cleaning process and bonded by heat fusion thermosetting. Laboratory tested for superior weatherability and fade resistance in accordance with ASTM B117 specifications. Powdercoat is 3.0 - 6.0 mil thickness. Textured finish.

Predicted Lumen Depreciation Data

Ambient Temperature °C	System Current	Calculated L ₇₀ hrs ^{1,2}	L ₇₀ per TM21 ^{2,3}	Lumen Maintenance @ 60,000hrs
25 °C	630 mA	>100,000	>60,000	96%

1. Predicted performance derived from LED manufacturer's data and engineering design estimates, based on IESNA LM-80 methodology. Actual experience may vary due to field application conditions.
2. L₇₀ is the predicted time when LED performance depreciates to 70% of initial lumen output.
3. Calculated per IESNA TM 21-11. Published L₇₀ hours limited to 6 times actual LED test hours.

Other Integrated Features

Surge Protection: Each luminaire is provided as standard with surge protector (Philips designed SP1) tested in accordance with ANSI/IEEE C62.45 per ANSI/IEEE C62.41.2 Scenario I Category C High Exposure 10kV/5kA waveforms for Line Ground, Line Neutral and Neutral Ground. Enhanced surge protection (SP2) is available as an option.

LED Products Manufacturing Standard

The electronic components sensitive to electrostatic discharge (ESD) such as light emitting diodes (LEDs) are assembled in compliance with EC61340-5-1 and ANSI/ESD S20.20 standards so as to eliminate ESD events that could decrease the useful life of the product.

Wiring

#18 AWG wires provided for field wiring, at least 12" accessible. Due to the inrush current that occurs with electronic drivers, recommend using a time delay or slow blow fuse to avoid unnecessary and unwanted fuse blowing that can occur with fast acting fuses.

Hardware

All exposed screws shall be stainless and/or corrosion resistant. All seals and sealing devices are made and/or lined with EPDM and/or silicone and/or rubber.

Luminaire Useful Life

Refer to IES files for energy consumption and delivered lumens for each option. Based on ISTMT in situ thermal testing in accordance with UL1598 and UL8750, using LM-80 data from LED manufacturers and engineering prediction methods, the luminaire useful life is expected to reach 100,000+ hours with >L70 lumen maintenance @ 25°C. Luminaire useful life accounts for LED lumen maintenance and additional factors, including LED life, driver life, PCB substrate, solder joints on/off cycles and burning hours for nominal applications.

Vibration Resistance

FX2 meets the ANSI C136.31, American National Standard for Roadway and Area Lighting Luminaire Vibration specifications tested for over 100,000 cycles in each plane by an independent lab for Normal Applications 1.5G.

Options

Custom 0-10V dimming schedule (DZ) is available by contacting the factory. As an alternative, Wireless Controls options are also available - contact the factory for details.

IP Rating

Robust IP66 seal around the entire perimeter of the optical compartment. Flexible IP67 rated anti-wicking connector between optical and electrical compartments.

Certifications and Compliance

cULus Listed for Canada and USA. FX2 Floodlight LED luminaires with neutral white color temperature are DesignLights Consortium qualified. Entire luminaire is rated for operation in ambient temperature of -40°C (-40°F) up to +40°C (+104°F).

Limited Warranty

5-year limited warranty. See philips.com/warranties for details and restrictions. Visit our eCatalog or contact your local sales representative for more information.

© 2016 Philips Lighting Holding B.V. All rights reserved. Philips reserves the right to make changes in specifications and/or to discontinue any product at any time without notice or obligation and will not be liable for any consequences resulting from the use of this publication. philips.com/luminaires



Philips Lighting North America Corporation
200 Franklin Square Drive, Somerset, NJ 08873
Tel. 855-486-2216

Philips Lighting Canada Ltd.
281 Hillmount Rd, Markham, ON, Canada L6C 2S3
Tel. 800-668-9008

Project Name _____	Date _____
Catalog # _____	Type _____

VIENTO MEDIUM

SITE & AREA LED LUMINAIRE



APPLICATIONS

- Auto Dealership Sales Lots
- Parking Lots
- Educational/Business Campuses
- Parks & Recreation Areas
- Security Areas
- Mall & Retail Spaces

APPROVALS

- ETL listed: Complies with UL 1598 and CSA C22.2 No. 250.0-08 Suitable for wet locations.
- 3G Vibration Rated for Bridge/Overpass Applications per ANSI C136.31-2010, Test Level 2.
- IP 66 Optics and Housing.
- Select models DLC Qualified. For a complete list of DLC Qualified products, please visit: www.xtralight.com/dlc or www.designlights.org/ql

PRODUCT PERFORMANCE

MODEL	LUMENS	EFFICACY
VNT- M 100, 144 & 200*	Over 21500	Up to 118

* For detailed information see page 2.

FEATURES

- Outstanding photometric performance results in sites with excellent uniformity, optimal pole spacing and lower power density.
- Optics are completely sealed against moisture and environmental contaminants (IP66).
- Low profile architectural design offers a contemporary appearance with excellent light output.
- Field serviceable luminaire utilizing Lumileds LED technology.
- Controls ready luminaire for independent operation or remote management.
- Operating temperature -40°C to +40°C (-40°F to +104°F).

CONSTRUCTION

- Housing: One-piece die-cast aluminum has integral heat sink fins to optimize thermal management through conductive and convective cooling.
- The LED driver is mounted in direct contact with the casting to promote low operating temperature and long life.
- Housing and door are protected with a thermoset TGIC-polyester powder coat finish using a tightly controlled multi-stage process to a uniform 3 mil thickness (min). This finish provides superior protection from corrosion and maximum environmental durability.

MOUNTING

- Integral arm facilitates quick and easy installation.
- Stainless steel hardware fastens the integral arm securely to poles.

OPTICS

- Precision molded optics for superior uniformity, minimal light trespass and maximum pole spacing.
- Optical grade polymer is UV stabilized and impact resistant.
- IP66 rated LED light engines prevent dust and moisture from degrading performance.
- Distributions: Type II, Type III, Type IV and Type V. Types II, III, and IV available rotated right or left 90°, factory installed.
- Best in class Lumileds LEDs with 3000K (min 80 CRI), 4000K, 5000K and 5700K CCT (min 70 CRI).
- Zero uplight (U0) is night sky friendly, reduces wasted light.
- Lumen Maintenance: >100,000hrs L₇₀ @ 25°C (see page 2 for details).

ELECTRICAL

- Voltage: 120-277V 50/60Hz driver (standard); 347-480V 50/60Hz driver (optional).
- Class 2 electronic drivers are designed to have a power factor >90%, THD <20%, and an expected life of 100,000 hours with <1% failure rate.
- Surge Protection: 10kV/10kA standard.
- NEMA twist-lock receptacle available as an option.
- Photocontrol or shorting cap required for operation, but not included.
- Dimming: 0-10v dimmable driver available as an option.
- Passive Infrared (PIR) Photo/Motion Sensor available as an option.

WARRANTY

- 10 year limited warranty.



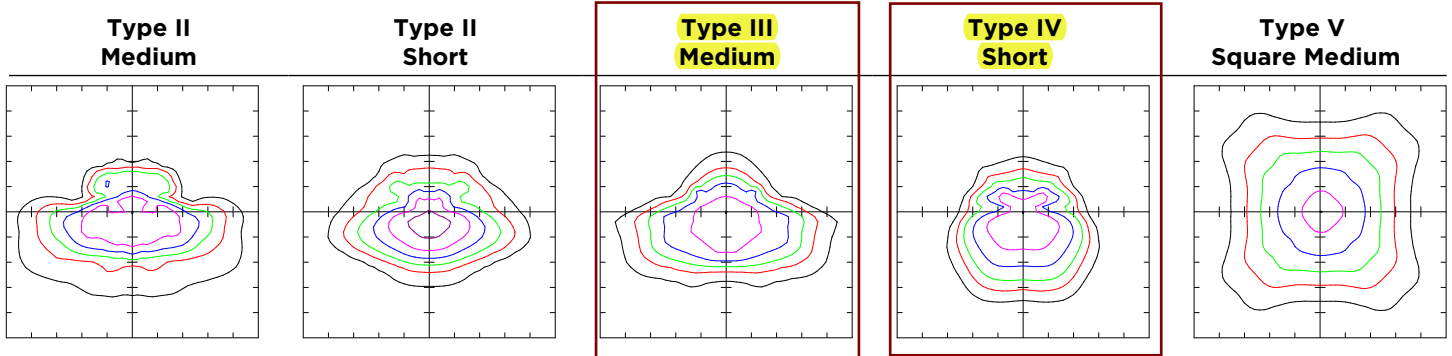
VIENTO MEDIUM

SITE & AREA LED LUMINAIRE

IES DISTRIBUTION TYPES

ISO Lines

Distance in Units of Mounting Height Values Based on 25 Foot Mounting Height.



LUMEN CHARTS

5000K CCT

Model	Type II Medium				
	IES Report	BUG Rating	Lumens	System Watts	Lm/W
100	ATAL017357	B2-U1-G2	13549	104.6	130
144	ATAL017358	B3-U2-G3	18769	158.9	118
200	ATAL017359	B3-U2-G3	22954	218	105

Model	Type II Short				
	IES Report	BUG Rating	Lumens	System Watts	Lm/W
100	ATAL017354	B2-U1-G2	13723	104.4	131
144	ATAL017355	B3-U1-G3	18898	159.1	119
200	ATAL017356	B3-U1-G3	23197	218.6	106

Model	Type III Medium				
	IES Report	BUG Rating	Lumens	System Watts	Lm/W
100	ATAL017360	B2-U1-G3	13497	104.4	129
144	ATAL017361	B2-U1-G3	18761	159.1	118
200	ATAL017362	B3-U2-G3	23213	218.1	106

Model	Type IV Short				
	IES Report	BUG Rating	Lumens	System Watts	Lm/W
100	ATAL017363	B2-U1-G3	13815	104.4	132
144	ATAL017364	B2-U1-G3	19180	159.3	120
200	ATAL017365	B3-U1-G3	23513	217.8	108

Model	Type V Square Medium				
	IES Report	BUG Rating	Lumens	System Watts	Lm/W
100	ATAL017366	B4-U1-G3	14138	104.5	135
144	ATAL017367	B4-U1-G3	19544	159.3	123
200	ATAL01368	B5-U1-G3	23970	218.7	110

Additional CCT Information

Lumen Maintenance vs Ambient Temperature

Ambient (°C)	TM-21 Lumen Maintenance (60,000 hrs)	Theoretical L70 Hours	Calculated Lumen Maintenance			
			25K hr.	50K hr.	75K hr.	100K hr
25	88.84%	162,000	96.44%	90.94%	85.76%	80.88%
30	87.75%	149,000	95.94%	90.02%	84.45%	79.24%
35	86.62%	137,000	95.42%	89.05%	83.09%	77.54%
40	85.80%	130,000	94.93%	88.31%	82.16%	76.43%

* Lumen maintenance calculations based on test report ATAL011439

Lumen Multiplier vs Ambient

Ambient (°C)	Lumen Multiplier
-30	1.040
0	1.025
25	1.000
30	0.990
35	0.986
40	0.978

Lumen Multiplier vs CCT

CCT	Multiplier
3000K	0.84
4000K	0.94
5000K	1.0
5700K	0.99



WORKING HARDER. LIGHTING SMARTER.®

VNTLED-MEDIUM
171404

www.xtralight.com • (800) 678-6960 • customerservice@xtralight.com

All information is believed to be accurate at the time of publication. Please contact customer service or visit www.xtralight.com for the most updated product specifications. XtraLight® reserves the right to change specifications without notice.

VIENTO MEDIUM

SITE & AREA LED LUMINAIRE

LIGHTING CONTROLS

Passive Infrared (PIR)
Photo/Motion Sensor



Adjustable Control Parameters [Defaults]

HIGH Mode - sensor detects motion, light output will RAMP UP to HIGH [DEFAULT = 10V].

LOW Mode - sensor stops detecting motion, TIME DELAY expires, light output will FADE DOWN to LOW [DEFAULT = 1V].

TIME DELAY - period that must elapse after sensor stops detecting motion, resuming LOW mode [DEFAULT = 5 MINUTES].

CUT OFF - period that must elapse after resuming LOW mode before luminaire is switched OFF [DEFAULT = 1 HOUR].

SENSITIVITY - response of the PIR to motion within the sensor coverage area [DEFAULT = MAXIMUM].

SETPOINT - when enabled, the selectable ambient light level that will hold the luminaire OFF or LOW when motion is detected [DEFAULT = DISABLED].

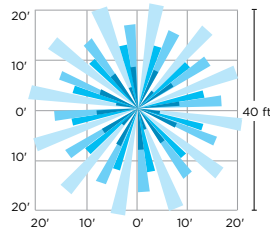
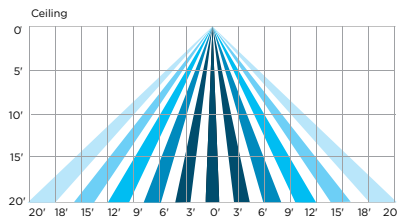
PHOTOCELL - when enabled, sensor will force the load OFF after the ambient light has exceeded the SETPOINT for at least one minute, or ON when the ambient light level goes below the SETPOINT [DEFAULT = DISABLED].

RAMP UP TIME - period for light output to change from LOW to HIGH [DEFAULT = DISABLED, instantly to HIGH].

FADE DOWN TIME - period for light output to change from HIGH to LOW [DEFAULT = DISABLED, instantly to LOW].

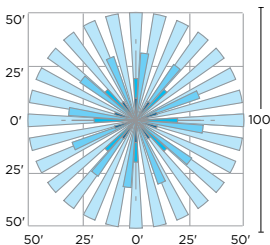
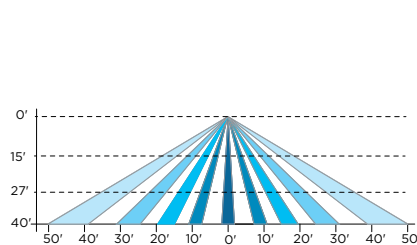
LOCK SETTINGS - time delayed IR communication lock initiated from a FSIR-100 handheld remote to prevent unauthorized changes to the parameters. [DEFAULT = DISABLED].

Sensor Coverage Options



OPTION B

FSP-211L3
20' Mounting Height
40' Diameter



OPTION D

FSP-211L7
40' Mounting Height
100' Diameter

VIENTO MEDIUM

SITE & AREA LED LUMINAIRE

ORDER LOGIC

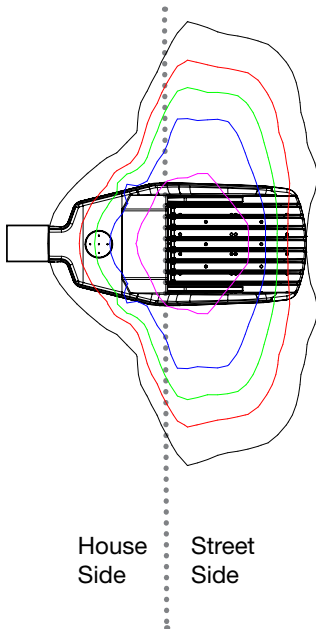
Sample part no.: **VNT-LED-M-02-200-3M-N-UI-N-4-10-X-X-BZ-HO**

VNT LED	M	02					10			HO
Size & Model Combinations: VNT-LED-M-02-100 VNT-LED-M-02-144 VNT-LED-M-02-200	MODULES	OPTICS	DRIVER	SURGE	MOUNT	HIGH OUTPUT				
	02	2M Type II Medium 2S Type II Short 3M Type III Medium 4S Type IV Short 5M Type V Square Medium	UIN Multi-Volt 120-277V (Std) DIM Dimmable Multi-Volt 120-277V HVU 347-480V HVD Dimmable 347-480V	10 10kV/10kA	X None (Std) A Angle Mount	HO				
	SIZE	MODEL	ORIENTATION	CCT	CONTROLS	COLOR	OPTIONS			
	M Medium	100 144 200	N Normal (Forward) R ¹ Right L ¹ Left	3 3000K 4 4000K 5 5000K S 5700K	X None (STD) 3 ² Twist-Lock Receptacle, 3-pin 5 ^{3,2} Twist-Lock Receptacle, 5-pin 7 ^{3,2} Twist-Lock Receptacle, 7-pin B ³ FSP-211L3@20'MH/40'DIA D ³ FSP-211L7@40'MH/100'DIA	BZ Bronze WH White	HS¹ House Side Shield			

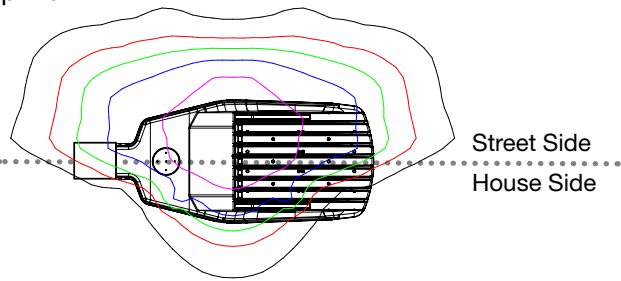
1. Not available with 5M Optics.
2. Photocontrol not included.
3. Requires 0-10V dimming driver [DIM] or [HVD] option.

Rotated Asymmetric Optics (Type II, Type III & Type IV)

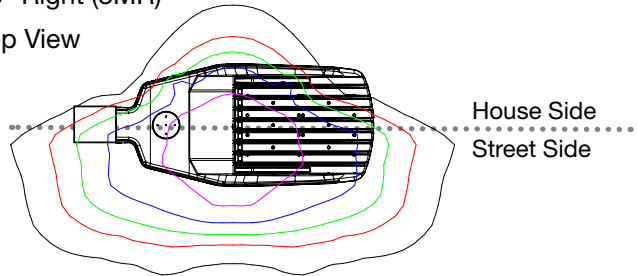
Normal (3MN)
Top View



90° Left (3ML)
Top View



90° Right (3MR)
Top View



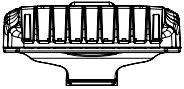
VIENTO MEDIUM

SITE & AREA LED LUMINAIRE

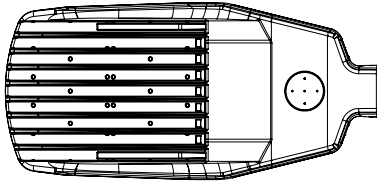
DIMENSIONAL DATA

- 29 lbs
- 29.0" L x 13.8" W x 6.5" H

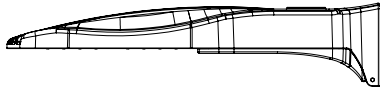
Front View



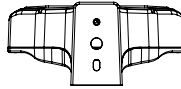
Top View



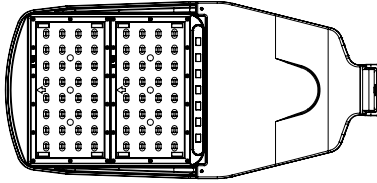
Side View



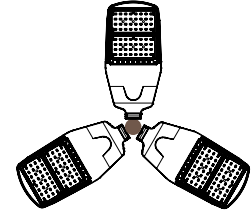
Back View



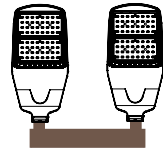
Bottom View



Three at 120°
EPA: 3.16 sq. ft.

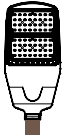


DUAL SSA
EPA: 1.75 sq. ft.



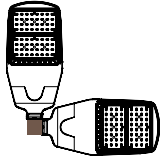
SINGLE

EPA: 1.47 sq. ft.



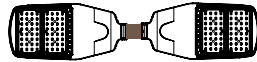
Two at 90°

EPA: 2.21 sq. ft.



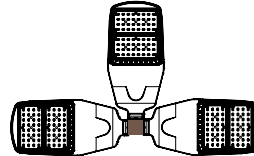
Two at 180°

EPA: 2.95 sq. ft.



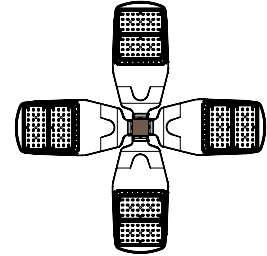
Three at 90°

EPA: 3.68 sq. ft.



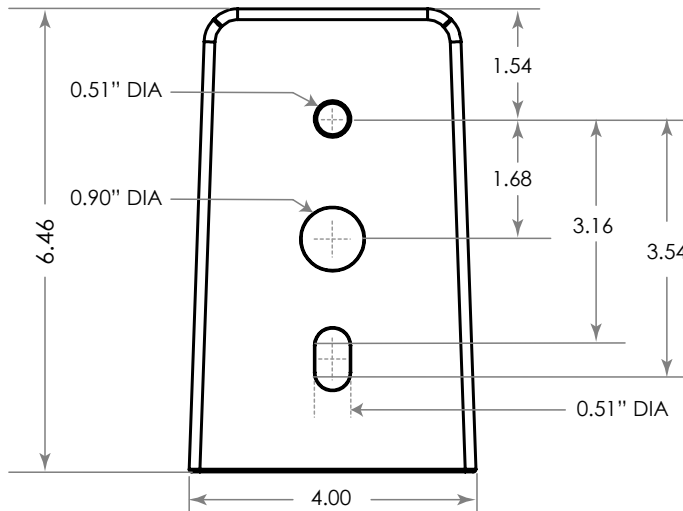
Four at 90°

EPA: 3.68 sq. ft.



MOUNTING DATA

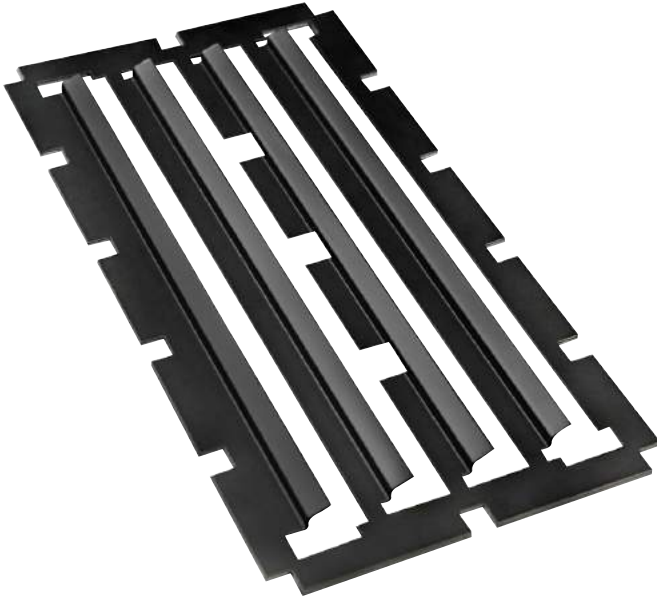
Back Mounting Detail



VIENTO MEDIUM

SITE & AREA LED LUMINAIRE

HOUSE SIDE SHIELD OPTICS ACCESSORY



FEATURES

- Significantly reduces backlight to minimize light trespass.
- Available for Type II Medium (2M), Type II Short (2S), Type III Medium (3M) and Type IV Short (4S) optics, both NORMAL and rotated LEFT/RIGHT.
- Factory installed as an option when ordered with the luminaire.
- Field installable (tool-free) when ordered as a separate accessory.

CONSTRUCTION

- Low-profile, precision fabricated CNC design.
- Flat black TGIC-polyester powder coat finish using tightly controlled multi-stage process to a uniform 3 mil thickness (min). This finish provides superior protection from corrosion and maximum environmental durability.

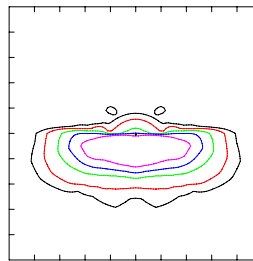
DIMENSIONS

- 11.38" L x 6.13" W x 0.4" H • 0.45 lbs

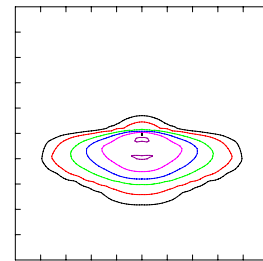
IES DISTRIBUTION TYPES

ISO Lines Distance in Units of Mounting Height Values Based on 25 Foot Mounting Height

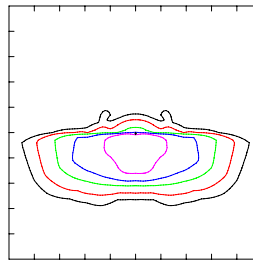
Type II Medium + HSS



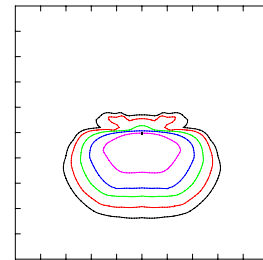
Type II Short + HSS



Type III Medium + HSS



Type IV Short + HSS



LUMEN CHART

5000K CCT						
Model	Optic Type + HSS	IES Report	BUG Rating	Lumens	System Watts	Lm/W
200	TYPE II M	ATAL015436	B1-U0-G3	14,107	212.0	66.5
200	TYPE II S	ATAL015344	B1-U0-G2	13,488	212.8	63.4
200	TYPE III M	ATAL015345	B1-U0-G3	14,298	213.0	67.1
200	TYPE IV S	ATAL015347	B1-U0-G3	13,959	212.8	65.6



VNTLED-MEDIUM
171404

www.xtralight.com • (800) 678-6960 • customerservice@xtralight.com

All information is believed to be accurate at the time of publication. Please contact customer service or visit www.xtralight.com for the most updated product specifications. XtraLight® reserves the right to change specifications without notice.

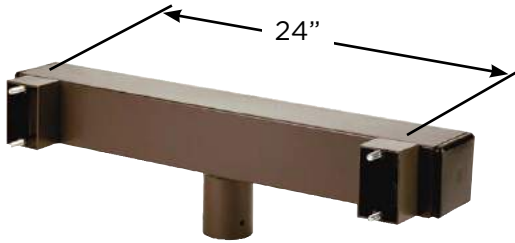
WORKING HARDER. LIGHTING SMARTER.®

VIENTO MEDIUM

SITE & AREA LED LUMINAIRE

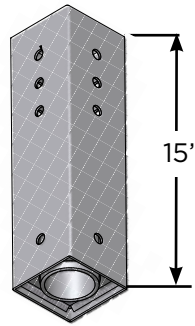
MOUNTING ACCESSORIES

Standard in Bronze and White (custom colors available, consult factory).



Shoulder-to-Shoulder Adaptor
SSA

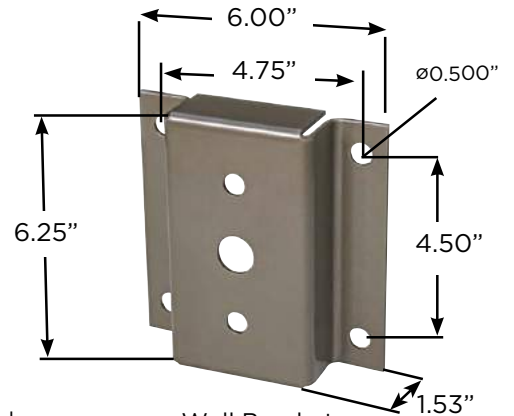
EPA: 0.90 sq. ft. - 27 lbs



Tenon Mount Adaptor - Square or Round
TMAS 4"/5"/6" SQ
TMAR 4"/5" DIA*

EPA: 0.4 sq. ft. 10 - 16 lbs

*Requires Round Pole Adaptor **VNT-RPA**



Wall Bracket
VNT-WB



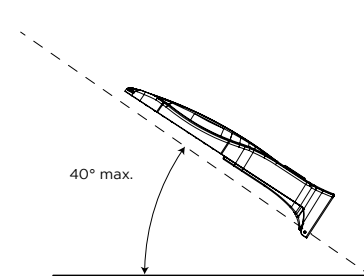
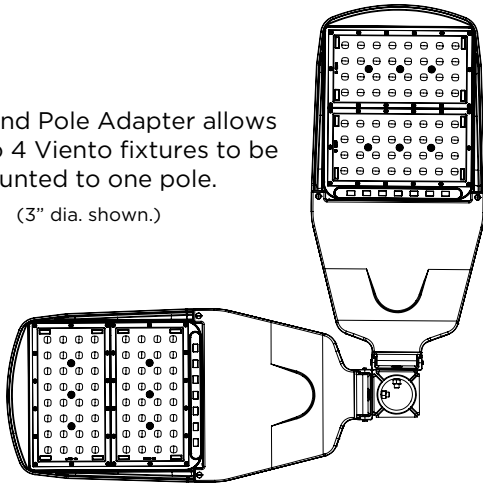
Round Pole Adaptor
VNT-RPA
3" to 5" Diameter
EPA: 0.03 sq. ft. - 0.75 lbs.



Adjustable Slip Fitter
VNT-ASF
(180° - 10° increments)
EPA: 0.127 sq. ft. - 6.0 lbs

The Round Pole Adapter allows for up to 4 Viento fixtures to be mounted to one pole.

(3" dia. shown.)

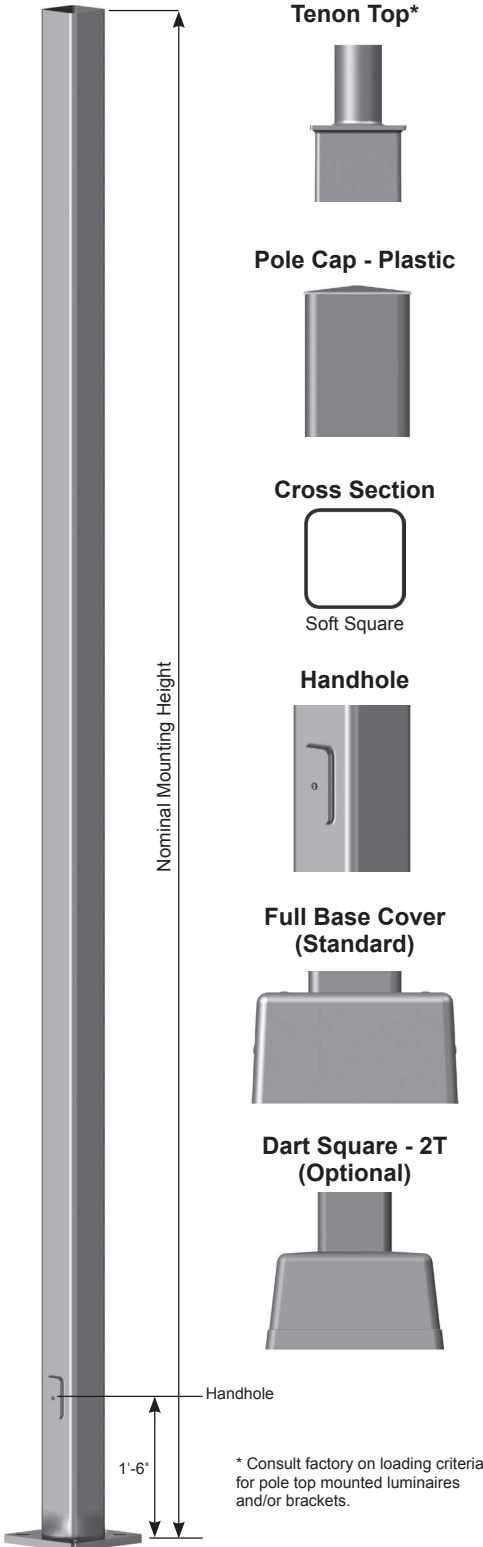


NOTES:

1. Viento with ASF accessory needs to be ordered with "A" mounting code (see Ordering Guide for details)
2. Note: No more than 40° up angle.

Valmont # DS330 400Q250 D1 DB FBC AB CUT (22-FT)

Job Name: <u>Beudry Services</u>	Client Name: _____
Job Location - City: _____ State: _____	Created By: _____ Date: _____
Product: <u>Types OP1 & OP2</u> Quote: _____	Customer Approval: _____ Date: _____



SPECIFICATIONS

Pole Shaft - The pole shaft is fabricated from hot rolled welded steel tubing of one-piece construction with a minimum yield strength of 55 KSI.

Pole Top - A removable pole cap is provided for poles receiving drilling patterns for side-mount luminaire arm assemblies. For top mount luminaire and/or bracket consult the factory. Consult the luminaire manufacturer for correct tenon size or drill pattern. Other pole top options include pole cap only (PC) or plain top (PL) which is typical when the pole top diameter matches the necessary slip fit dimensions.

Handhole - A reinforced handhole with grounding provision is provided at 1'-6" from the base end of the pole assembly. Each handhole includes a cover and the cover attachment hardware. All pole assemblies are provided with a 2.5" x 5" rectangular handhole. Handhole dimensions are nominal.

Base Cover - A two-piece full base cover fabricated from ABS plastic is provided with each pole assembly. Additional base cover options, including the dart square (2T) cast aluminum cover, are available upon request.

Anchor Bolts - Anchor bolts conform to ASTM F1554 Grade 55 and are provided with two hex nuts and two flat washers. Bolts have an "L" bend on one end and are galvanized a minimum of 12" on the threaded end.

Hardware - All structural fasteners are galvanized high strength carbon steel. All non-structural fasteners are galvanized or zinc-plated carbon steel or stainless steel.

Finish - Standard finishes are either Galvanized (GV) or Finish Painted (FP). Additional finish options including Finish Paint over Galvanizing (FPGV) or any of the V-PRO™ Finish Coating Systems are available upon request. See the product ordering code for color options.

Design Criteria - Please reference Design Criteria Specification for appropriate design conditions.

SOFT SQUARE STEEL DS330

Fatigue Resistant



STRUCTURES

Valmont # DS330 400Q250 D1 DB FBC AB CUT (22-FT)

Job Name: _____	Client Name: _____
Job Location - City: _____ State: _____	Created By: _____ Date: _____
Product: _____ Quote: _____	Customer Approval: _____ Date: _____

DESIGNATION, LOAD AND DIMENSIONAL DATA

NOMINAL MOUNTING HEIGHT	DESIGN INFORMATION						POLE DIMENSIONS ³				DESIGNATION
	80 MPH w/1.3 GUST		90 MPH w/1.3 GUST		100 MPH w/1.3 GUST		SHAFT BASE SQUARE ³ (IN)	SHAFT TOP SQUARE (IN)	WALL THK (GA)	STRUCTURE WEIGHT ² (LBS)	
	MAX EPA ¹ (SQFT)	MAX WEIGHT ¹ (LBS)	MAX EPA ¹ (SQFT)	MAX WEIGHT ¹ (LBS)	MAX EPA ¹ (SQFT)	MAX WEIGHT ¹ (LBS)					
10'-0"	30.6	765	23.8	595	18.9	473	4.00	4.00	11	75	400Q100
12'-0"	24.4	610	18.8	470	14.8	370	4.00	4.00	11	90	400Q120
14'-0"	19.9	498	15.1	378	11.7	293	4.00	4.00	11	100	400Q140
16'-0"	15.9	398	11.8	295	8.9	223	4.00	4.00	11	115	400Q160
18'-0"	12.6	315	9.2	230	6.7	168	4.00	4.00	11	125	400Q180
20'-0"	9.6	240	6.7	167	4.5	150	4.00	4.00	11	140	400Q200
	17.7	443	12.7	343	9.4	235	5.00	5.00	11	185	500Q200
	28.1	703	21.4	535	16.2	405	5.00	5.00	7	265	500W200
25'-0"	4.8	150	2.6	100	1.0	50	4.00	4.00	11	170	400Q250
	10.8	270	7.7	188	5.4	135	4.00	4.00	7	245	400W250
	9.8	245	6.3	157	3.7	150	5.00	5.00	11	225	500Q250
	18.5	463	13.3	333	9.5	238	5.00	5.00	7	360	500W250
30'-0"	6.7	168	4.4	110	2.6	65	4.00	4.00	7	291	400W300
	4.7	150	2.0	50	N/A	N/A	5.00	5.00	11	265	500Q300
	10.7	267	6.7	167	3.9	100	5.00	5.00	7	380	500W300
	19.0	475	13.2	330	9.0	225	6.00	6.00	7	520	600W300
35'-0"	5.9	150	2.5	100	N/A	N/A	5.00	5.00	7	440	500W350
	12.4	310	7.6	190	4.2	105	6.00	6.00	7	540	600W350
40'-0"	7.2	180	3.0	75	N/A	N/A	6.00	6.00	7	605	600W400

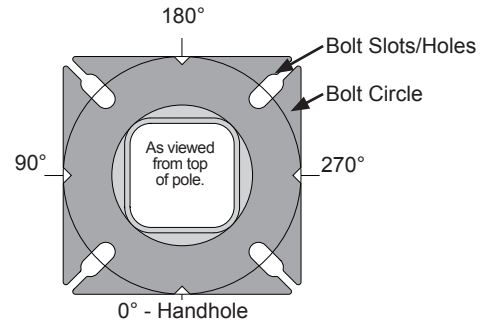
CUT - 22FT

- Maximum EPA (Effective Projected Area) and weight values are based on side mounted fixtures only. Consult factory on loading criteria for pole top mounted luminaires and/or brackets. Variations from sizes above are available upon inquiry at the factory. Satisfactory performance of poles is dependent upon the pole being properly attached to a supporting foundation of adequate design.
- Structure weight is a nominal value which includes the pole shaft and base plate only.
- Belled-bottom will have reduced thickness due to the cold-working process. However, the belled-bottom meets or exceeds the structural capacity of the original square section. In addition, the rounded section provides better fatigue resistance.

ANCHORAGE DATA

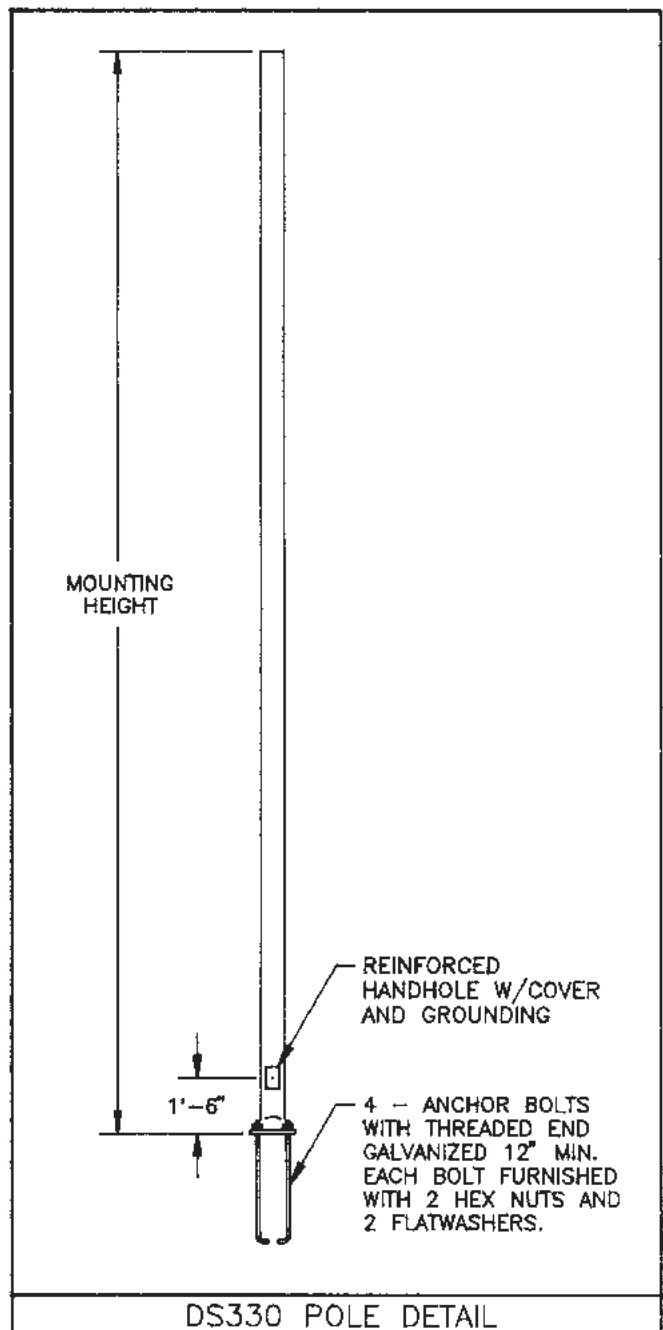
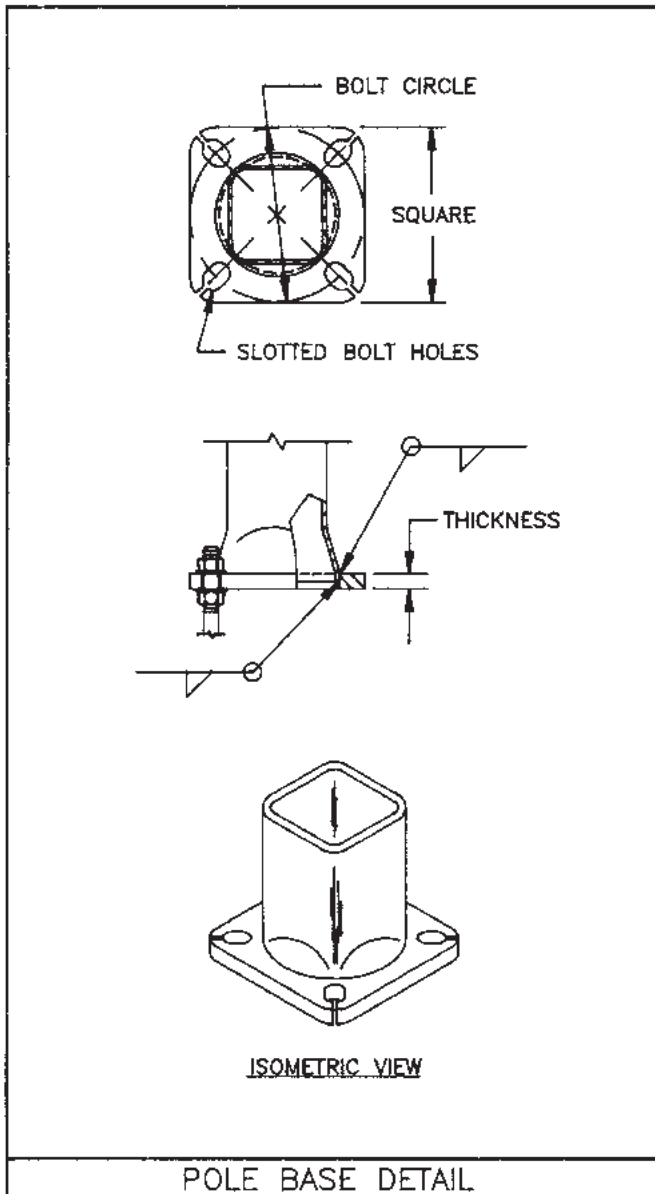
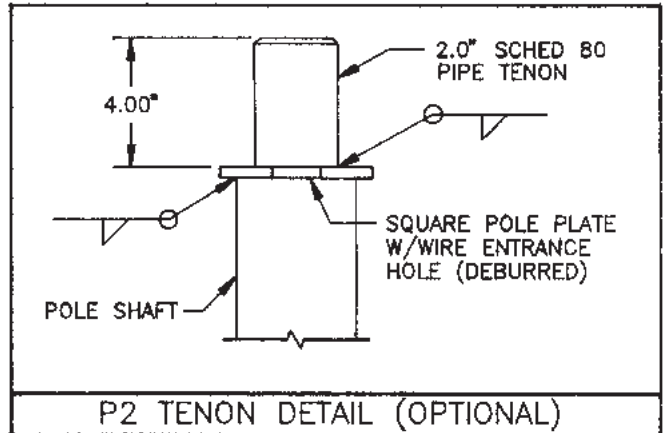
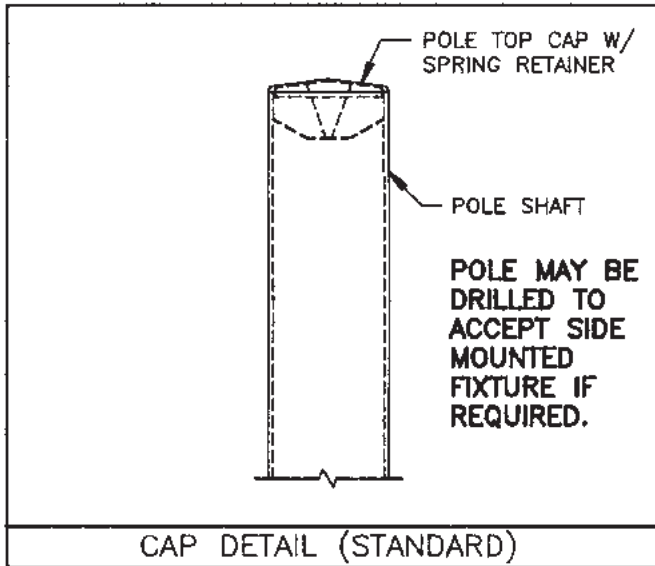
POLE		BASE PLATE				ANCHOR BOLTS			
POLE BASE SQUARE (IN)	WALL THK (GA)	BOLT CIRCLE		SQUARE (IN)	THK (IN)	DIA x LENGTH x HOOK (IN)	PROJECTION (IN)	± (IN)	
		DIA (IN)	± (IN)						
4.00	11	8.50	0.50	8.25	0.750	0.75 x 17.00 x 3.00	3.50	0.25	
4.00	7	8.50	0.50	8.25	0.875	0.75 x 17.00 x 3.00	3.63	0.25	
5.00	11	11.00	1.00	11.00	1.000	0.75 x 17.00 x 3.00	3.75	0.25	
5.00	7	11.00	1.00	11.00	1.000	0.75 x 17.00 x 3.00	3.75	0.25	
6.00	7	12.00	1.00	12.50	1.000	1.00 x 36.00 x 4.00	4.25	0.25	

Anchor Base Detail



STANDARD ORDERING CODE STRUCTURE

MODEL	DESIGNATION	FIXTURE MOUNTING	FINISH SYSTEM	STANDARD COLOR OPTIONS	BASE COVER	ANCHOR BOLTS	SUPPLEMENTAL INFO
DS330	400Q250	Drill Mounting (See Orientation) D1 = (1) Drilling @ 270° D2 = (2) Drillings @ 90° & 270° D4 = (4) Drillings @ 0°, 90°, 180°, & 270° D5 = (2) Drillings @ 180° & 270° D6 = (3) Drillings @ 90°, 180°, & 270° Tenon Mounting P2 = 2.38" OD x 4" tenon P4 = 4.00" OD x 6" tenon P5 = 2.88" OD x 4" tenon P6 = 2.88" OD x 5" tenon P7 = 2.38" OD x 5" tenon P9 = Special Size (Specify) Other Options PC = Pole Cap PL = Plain Top (No Cap)	GV = Galvanized FP = Finish Painted -----OPTIONAL----- FPGV = Finish Paint over Galvanizing VP30 = V-PRO™ 30 System VP32 = V-PRO™ 32 System VP53 = V-PRO™ 53 System VP54 = V-PRO™ 54 System VP57 = V-PRO™ 57 System VP100 = V-PRO™ 100 System VP105 = V-PRO™ 105 System	GV = Galvanized BK = Black DB = Dark Bronze MB = Medium Bronze WH = White LG = Light Gray CB = Bronze DG = Dark Green ST = Sandstone HG = Hunter Green SG = Slate Gray SL = Silver SC = Special Color (Specify)	FBC = Full Base Cover -----OPTIONAL----- 2T = Square Dart Cover	AB = With Anchor Bolts LAB = Without Anchor Bolts	SL CUT 22-FT



SPC7207 02/17 valmontstructures.com carries the most current spec information and supersedes these guidelines.

Project Name	Type
Catalog #	Date

VIENTO LED WALL PACK

VNTW 5500 - 11000L



APPLICATIONS

- Building Facades
- Entry Ways
- Sidewalks
- Security Lighting
- Accent Lighting
- General Exterior Lighting

APPROVALS

- ETL listed. Complies with UL1598 and CSA 22.2
- Lighting Facts Listed
- Suitable for Wet Locations

PRODUCT PERFORMANCE (TYPE 4S OPTICS SHOWN)

MODEL	CCT	WATTS	LUMENS	EFFICACY
5500L	4000K	55.73	6017	108.0
8000L	4000K	79.61	8498	106.8
11000L	4000K	109.13	10678	97.9

FEATURES

- Uniform light distribution, ideal for building facades, entry ways, sidewalks and general security or accent lighting.
- LED provides a significant energy savings over HID.
- Operating Temperatures:
-40°C to +40°C (-40°F to +104°F) or -40°C to +38°C (-40°F to +100°F) with the emergency battery back-up option.
- Custom colors are available (consult factory).
- Designed for ease of installation.

CONSTRUCTION

- Housing: Two-piece die-cast aluminum has integral heat sink fins to optimize thermal management through conductive and convective cooling.
- Housing and back box are protected with a thermoset TGIC-polyester powder coat finish.
- The LED driver is mounted in direct contact with the casting to promote low operating temperature and long life.
- Silicone gasket is included to prevent leakage and provide weather-tight protection.
- All fasteners are stainless steel.

OPTICS

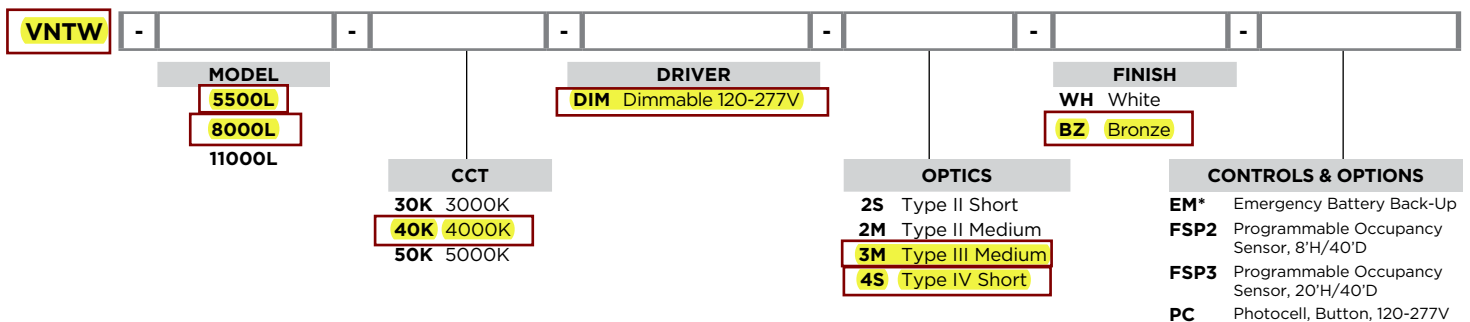
- Optical grade polymer is UV stabilized and impact resistant.
- IP66 rated LED light engines prevent dust and moisture from degrading performance.
- Distributions: Type II Short, Type II Medium, Type III Medium and Type IV Short.
- Best in class Lumileds LEDs with 3000K (min 80 CRI), 4000K, and 5000K CCT (min 70 CRI).
- Lumen Maintenance: >100,000hrs L70 @ 25°C .

ELECTRICAL

- Voltage: 120-277V 50/60Hz driver (standard).
- Class 2 electronic drivers are designed to have a power factor >90%, THD <20%, and an expected life of 100,000 hours with <1% failure rate.
- Dimming: 0-10v dimmable driver standard.
- Passive Infrared (PIR) Photo/Motion Sensor optional.
- Emergency battery backup option (EM) is available for some models; EM suited for cold weather, has external test button and LED indicator light to notify when the heater is on.
- Surge Protection: 10kV/10kA standard.

ORDER LOGIC

SAMPLE CATALOG NUMBER: VNTW-8000L-40K-DIM-2M-BZ



* Not available for the 11000L model.



VIENTO LED WALL PACK

VNTW 5500 - 11000L

DIMENSIONAL DATA

Weights

5500L Model

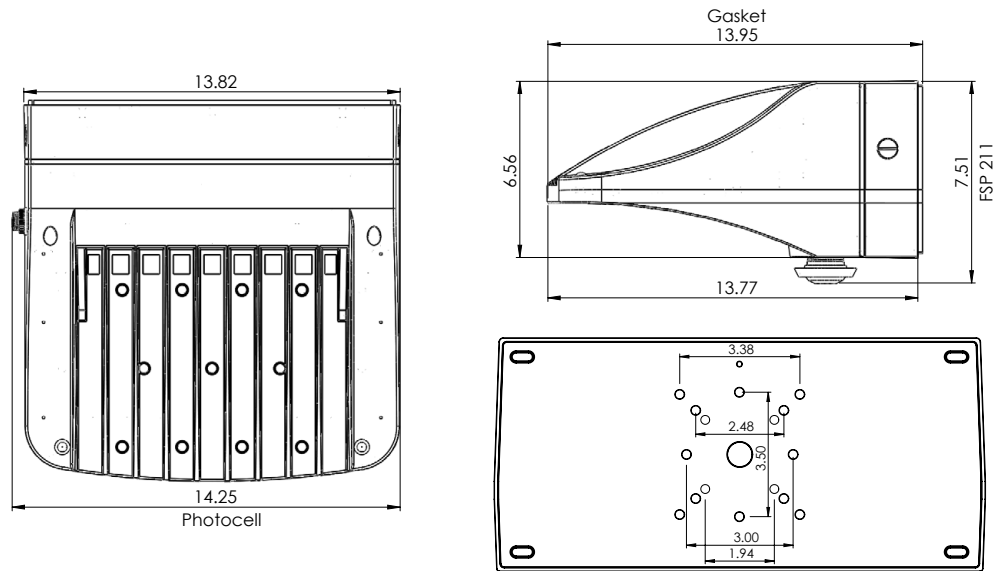
17.3 lbs. (20.1 lbs. with EM)

8000L Model

18.0 lbs. (20.8 lbs. with EM)

11000L Model

18.0 lbs.



MOUNTING



SMART ENGINEERING DESIGN EASY TO INSTALL CONTEMPORARY APPEARANCE

- Make necessary holes in Back Plate gasket included with the luminaire.
- Peel adhesive and adhere gasket to back of Back Plate.
- Mount luminaire Back Plate to wall as needed using surface mounted conduit or existing junction box.
- Hang luminaire housing back on hinges.
- Connect supply wires to quick disconnect provided.
- Swing luminaire up and close up.
- Replace housing screws and power on.

For more detailed installation instructions, please visit www.xtralight.com and download the PDF from our VNTW product page.

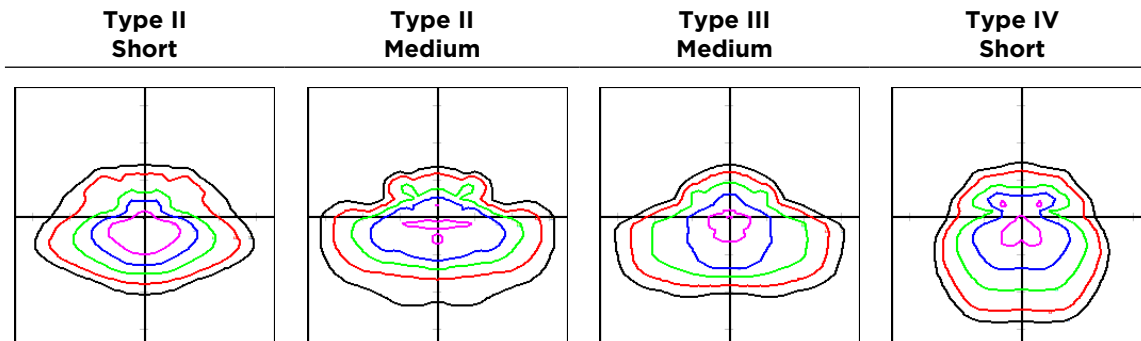
VIENTO LED WALL PACK

VNTW 5500 - 11000L

IES DISTRIBUTION TYPES

ISO Lines

Distance in Units of Mounting Height Values Based on 25 Foot Mounting Height.



PHOTOMETRIC DATA

4000K CCT

Model	Type II Short			
	IES Report	Lumens	System Watts	Lm/W
5500L	ATAL016425	5969	55.70	107.2
8000L	ATAL016424	8428	79.56	105.9
11000L	ATAL016351	10587	109.29	96.9

Model	Type II Medium			
	IES Report	Lumens	System Watts	Lm/W
5500L	ATAL016423	5943	55.73	106.7
8000L	ATAL016422	8376	79.63	105.2
11000L	ATAL016352	10493	109.12	96.2

Model	Type III Medium			
	IES Report	Lumens	System Watts	Lm/W
5500L	ATAL016421	5903	55.72	106.0
8000L	ATAL016420	8292	79.58	104.2
11000L	ATAL016353	10398	109.13	95.3

Model	Type IV Short			
	IES Report	Lumens	System Watts	Lm/W
5500L	ATAL016419	6017	55.73	108.0
8000L	ATAL016418	8498	79.61	106.8
11000L	ATAL016354	10678	109.13	97.9

Additional CCT Information

Lumen Multiplier vs CCT

CCT	Multiplier
3000K	0.83
4000K	1.0
5000K	0.98



VNTW-5500.11000L
170506

www.xtralight.com • (800) 678-6960 • customerservice@xtralight.com

WORKING HARDER. LIGHTING SMARTER.®

All information is believed to be accurate at the time of publication. Please contact customer service or visit www.xtralight.com for the most updated product specifications. XtraLight® reserves the right to change specifications without notice.

VIENTO LED WALL PACK

VNTW 5500 - 11000L

LIGHTING CONTROLS

Passive Infrared (PIR)
Photo/Motion Sensor



Adjustable Control
Parameters [Defaults]

HIGH Mode - sensor detects motion, light output will RAMP UP to HIGH [DEFAULT = 10V].

LOW Mode - sensor stops detecting motion, TIME DELAY expires, light output will FADE DOWN to LOW [DEFAULT = 1V].

TIME DELAY - period that must elapse after sensor stops detecting motion, resuming LOW mode [DEFAULT = 5 MINUTES].

CUT OFF - period that must elapse after resuming LOW mode before luminaire is switched OFF [DEFAULT = 1 HOUR].

SENSITIVITY - response of the PIR to motion within the sensor coverage area [DEFAULT = MAXIMUM].

SETPOINT - when enabled, the selectable ambient light level that will hold the luminaire OFF or LOW when motion is detected [DEFAULT = DISABLED].

PHOTOCELL - when enabled, sensor will force the load OFF after the ambient light has exceeded the SETPOINT for at least one minute, or ON when the ambient light level goes below the SETPOINT [DEFAULT = DISABLED].

RAMP UP TIME - period for light output to change from LOW to HIGH [DEFAULT = DISABLED, instantly to HIGH].

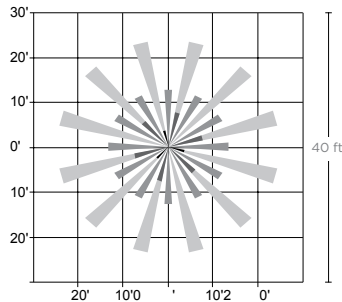
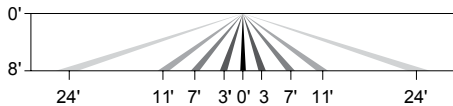
FADE DOWN TIME - period for light output to change from HIGH to LOW [DEFAULT = DISABLED, instantly to LOW].

LOCK SETTINGS - time delayed IR communication lock initiated from a FSIR-100 handheld remote to prevent unauthorized changes to the parameters. [DEFAULT = DISABLED].

Sensor Coverage Options

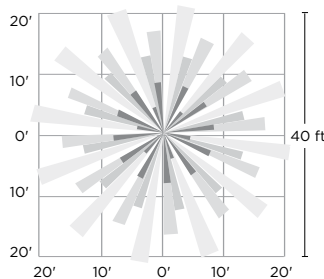
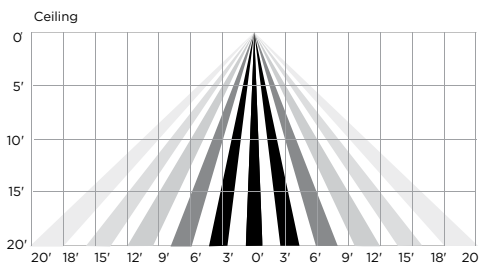
OPTION FSP2

FSP-211L2 8' Mounting Height
40' Diameter



OPTION FSP3

FSP-211L3 20' Mounting Height
40' Diameter



WORKING HARDER. LIGHTING SMARTER.®

VNTW-5500.11000L
170506

www.xtralight.com • (800) 678-6960 • customerservice@xtralight.com

All information is believed to be accurate at the time of publication. Please contact customer service or visit www.xtralight.com for the most updated product specifications. XtraLight® reserves the right to change specifications without notice.



PHILIPS
Stonco

Wall mount

LytePro LED Sconce

LPW16



Project: **Beaudry Services**

Location: _____

Cat.No: _____

Type: **WP4**

Quantity: _____

Notes: _____

The Philips Stonco LytePro LED Small Wall Sconce LPW16 features outstanding value in a compact, architectural design. This wall sconce features state-of-the-art, long-life and maintenance savings, in a combined discreet LED package with high precision over-optic design. This powerful and precise combination offers outstanding energy savings with excellent photometric performance. LPW16 is ideal for entryways and corridors in addition to wall lighting applications requiring strong lateral spacing and forward pattern projection.

Stocked luminaires – Ordering guide (LPW16 products are only available in the following stock luminaire configurations shown)

Catalog Number	Description	Master Pack, Qty	UPC Code
LPW16-58BZ	LPW16, 30W, 530mA, 4000K, 120-277V, Bronze textured paint	6	786034960540
LPW16-51BZPCB	LPW16, 30W, 530mA, 4000K, 120V, Bronze textured paint, w/button photocell	6	786034960557
LPW16-78BZ	LPW16, 40W, 700mA, 4000K, 120-277V, Bronze textured paint	6	786034960502
LPW16-78DGY	LPW16, 40W, 700mA, 4000K, 120-277V, Dark gray textured paint	6	786034960489
LPW16-71BZPCB	LPW16, 40W, 700mA, 4000K, 120V, Bronze textured paint, w/button photocell	6	786034960519

Stocked accessories - Ordering guide (Must be ordered separately)

Catalog Number	Description	Master Pack, Qty	UPC Code
LPWCVRPLT-BZ	LPW Universal wall cover mounting plate, Bronze textured paint	(none)	786034960618

LPW16 LytePro LED Small Wall Sconce

Features

LPW16 wall sconce delivers 3,374 lumens at 36W, with an efficacy of 93 lumens per watt. Other wattages available per charts noted below--.

- LP16W-5, 30W LED may effectively replace 70-100W HID luminaires²
- LP16W-7, 40W LED may effectively replace 100-150W HID luminaires¹
- 4000K neutral white at 70 CRI (minimum) is standard
- Button photocell available in 120V, bronze luminaires only
- 5-year limited warranty, see philips.com/warranties for specific details

Performance/Specifications (LP16W-7)

Distribution	Type 3
Initial Lumens	3,374
Average Wattage	36
Lumens/Watt	93
BUG Rating*	B1/U0/G1
Luminaire Weight	~6lbs (2.7Kg)

Performance/Specifications (LP16W-5)

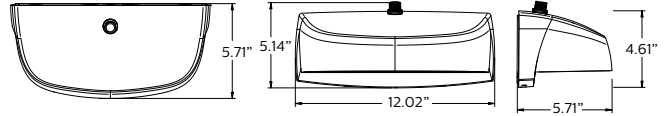
Distribution	Type 3
Initial Lumens	2,698
Average Wattage	28
Lumens/Watt	96
BUG Rating	B1/U0/G1
Luminaire Weight	~6lbs (2.7Kg)

Ratings/Approbations/Certifications

Ingress Protection	IP65 Optical
DLC Listed	DLC QPL
cETLus	Certified for use in wet locations
Rated Ambient Temperature	-40°C (-40°F) to 40°C (104°F)

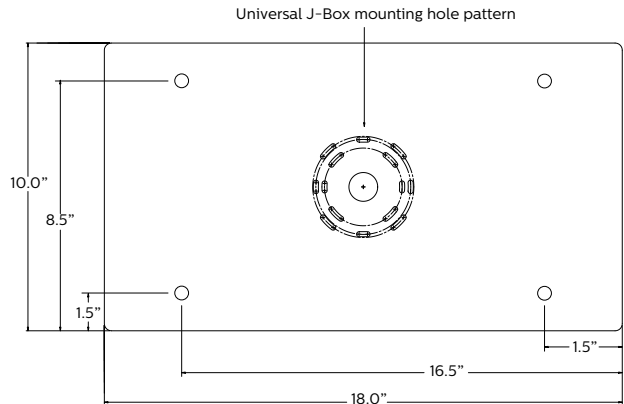
2. Comparable equivalency to HID and other lamp sources depends on multiple criteria including mounting height, fixture spacing, efficiency, performance and classification of the luminaire being replaced and application lighting criteria required for the given project.
3. PCB shown for placement only, available on specific models only (see ordering guide).

Fixture Dimensions³



Accessory Dimensions (ordered separately)

LPWCVRPLT-BZ LPW Universal wall cover mounting plate, 0.08" aluminum, bronze textured paint (used to cover larger pre-existing opening or surfaces, field installed). Offers same J-Box pattern as luminaire or may lagged to wall using (4) knockouts.

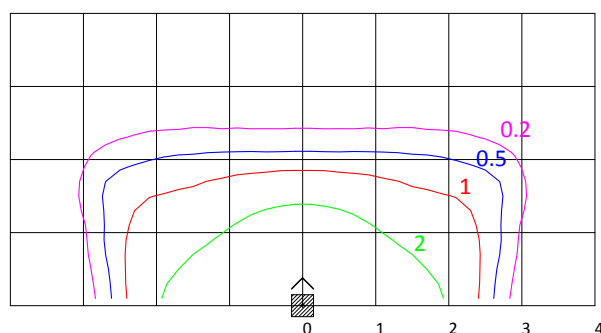


Distribution Pattern

LPW16-7 10' MOUNTING HEIGHT

MOUNTING HEIGHT	8'	10'	12'
MULTIPLIER	1.60	1.0	0.70

- Isolines shown at 2.0, 1.0, 0.5, & 0.2 FC.
- Choose mounting height. Use MULTIPLIER (X) EXISTING FC VALUE = NEW FC VALUE.
- FC values are based on initial lumen output.
- Gridline spacing is in units of chosen mounting height
- For LPW16-5 configuration, scale down by 29%.



LPW16 LytePro LED Small Wall Sconce

General Description

The Philips Stonco LytePro LED Small Wall Sconce LPW16 combines excellent performance, design and value to meet the needs of the energy and budget conscious. The LPW16 is available for use in downward facing, surface wall mount applications, over recessed j-boxes or where power can be directly fed through back surface, whereby connections splices can be made inside the luminaire housing. Five SKU's are available as in-stock configurations only (2-day quick ship).

40W Model: Two standard units are available in two different finishes. 120V button photocell is available in bronze only. 30W Model: Standard units available in bronze only, with and without photocell. 30W model is California Title 24 compliant.

Housing

Die-cast housing houses both the LED and driver assemblies. Design incorporates an integrated heat sink to maximize thermal performance and reliability. Backplate is corrosion free, composite polycarbonate, with built-in level bubble, offers integral interlocking hook and mount design for easy installation.

Mounting

Easy interlocking hook and mount housing/backplate design for easy installation. Mounts over 3.5", 4" octagonal j-boxes and single gang switch boxes or can be directly lagged to surface. Ensure proper steps for gasket/sealing luminaire to surface.

IP Rating

Optical compartment is IP65 rated.

LED Board and Array

Provides up to 93 lm/W in LPW16-7 and 96 lm/W in LPW16-5 at the system level. Standard color temp is 4000K +/- 250K, minimum 70 CRI.

Electrical

Driver efficiency (>90% standard), 120-277V. Temp range: -40°C (-40°F) to 40°C (104°F). Open/short circuit protection. Inherent surge protection up to (4KVA). RoHS compliant.

Listings

Product is cETLus listed suitable for Wet Locations. Suitable for use in ambients from -40°C to 40°C (-40°F to 104°F). DesignLights Consortium® qualified. Stocked SKUs of the LPW family are made in China.

Finish

Each luminaire receives a fade and abrasion resistant, electrostatically applied, thermally cured, triglycidal isocyanurate (TGIC) textured polyester powdercoat finish.

Warranty

LPW16 luminaires, the LED arrays, and the drivers are all covered by a 5-year limited warranty. See philips.com/warranties for details.

LED Performance:

PREDICTED LUMEN DEPRECIATION DATA^{4,6}

Ambient Temp. °C	Calculated L70 hrs ⁵	Reported L70 Per TM-21 ^{5,6}	Calculated Lumen Maint. % @60,000 hrs
up to 40°C	>200,000 hrs	>60,000 hrs	94.0%

4. Calculated performance derived from LED manufacturer's data and engineering design estimates, based on IESNA LM-80 methodology. Actual experience may vary due to field application conditions.

5. L70 is the predicted time when LED performance depreciates to 70% of initial lumen output.

6. Reported per IESNA TM21-11. Published L70 hours limited to 6 times actual LED test hours.



© 2016 Philips Lighting Holding B.V. All rights reserved. Philips reserves the right to make changes in specifications and/or discontinue any product at any time without notice or obligation and will not be liable for any consequences resulting from the use of this publication. philips.com/luminaires



Philips Lighting North America Corporation
200 Franklin Square Drive, Somerset, NJ 08873
Tel. 855-486-2216

Philips Lighting Canada Ltd.
281 Hillmount Rd, Markham, ON, Canada L6C 2S3
Tel. 800-668-9008