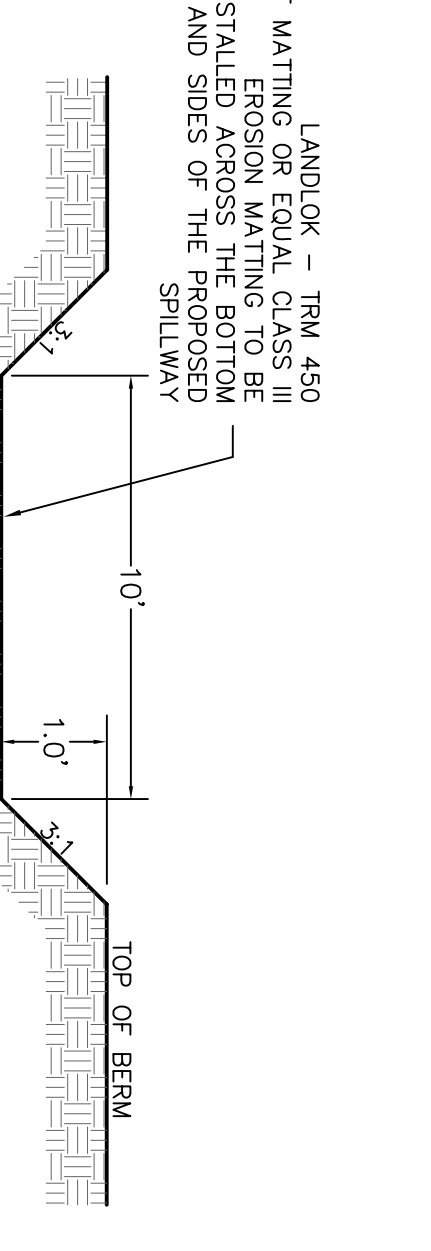
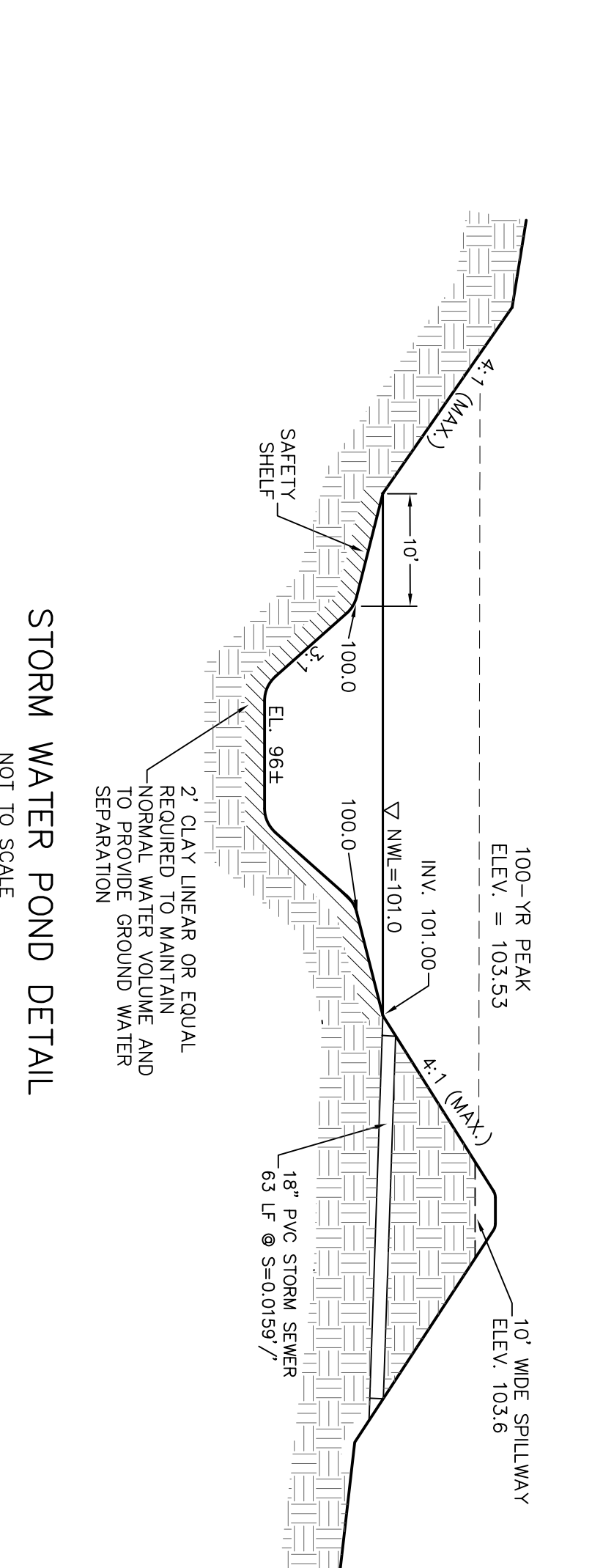
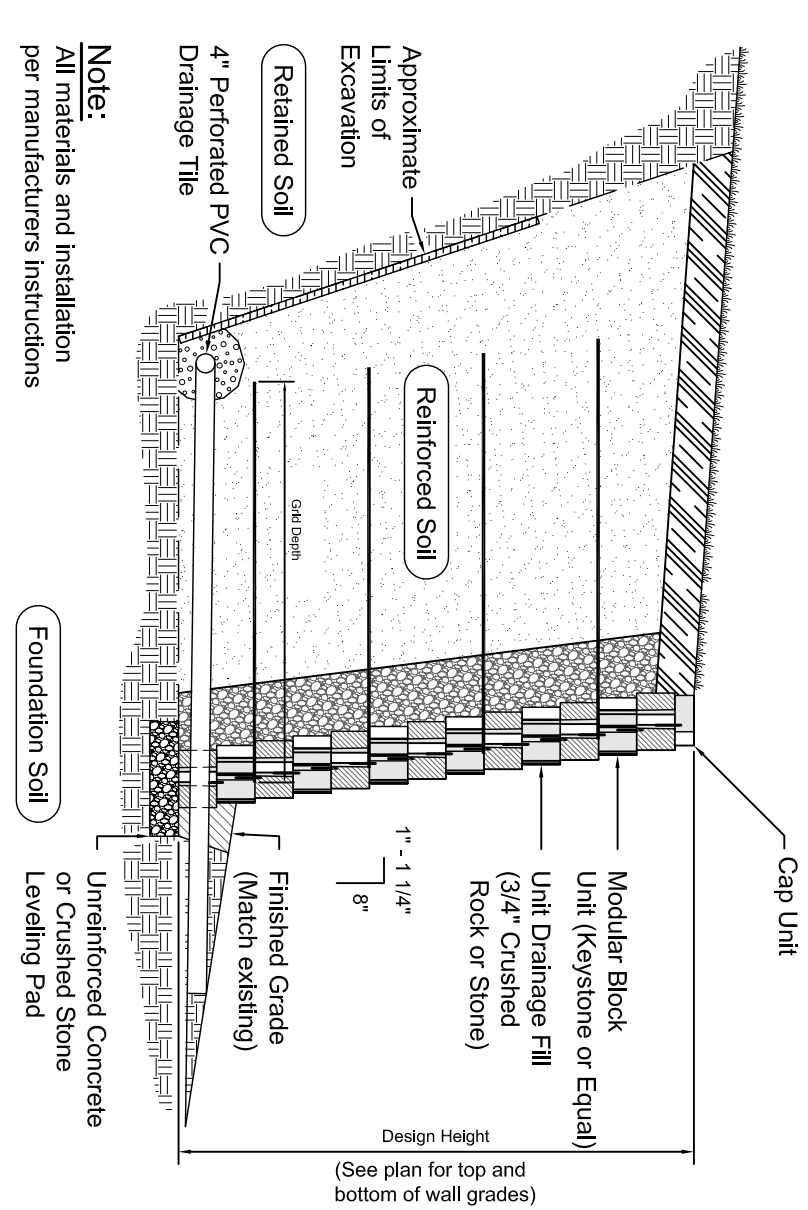
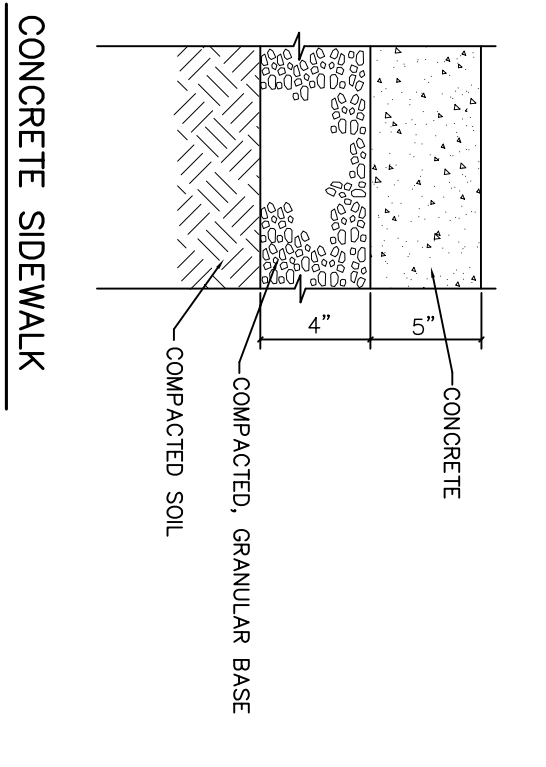
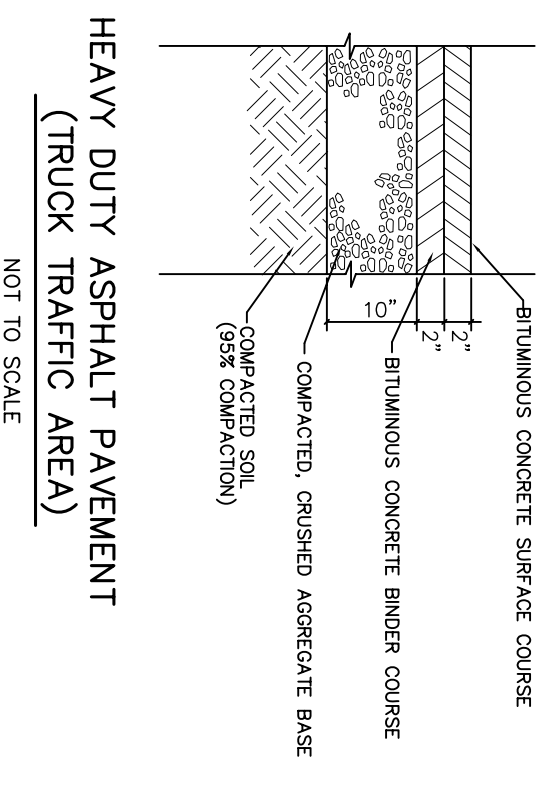
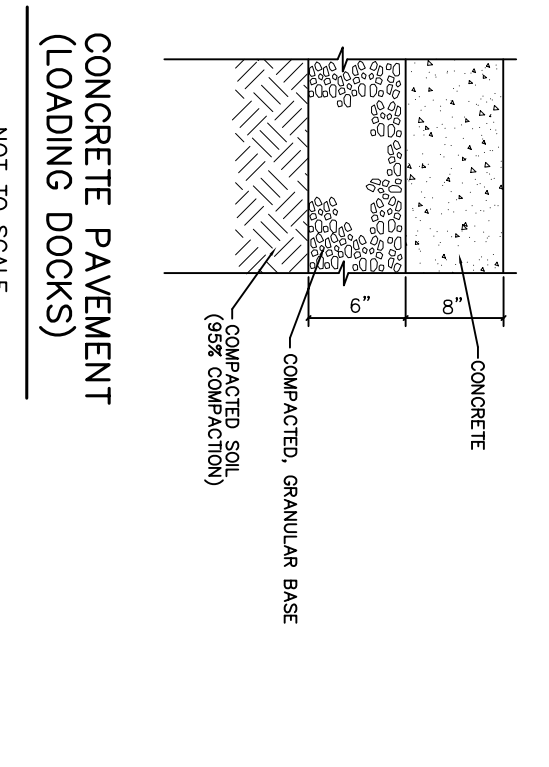
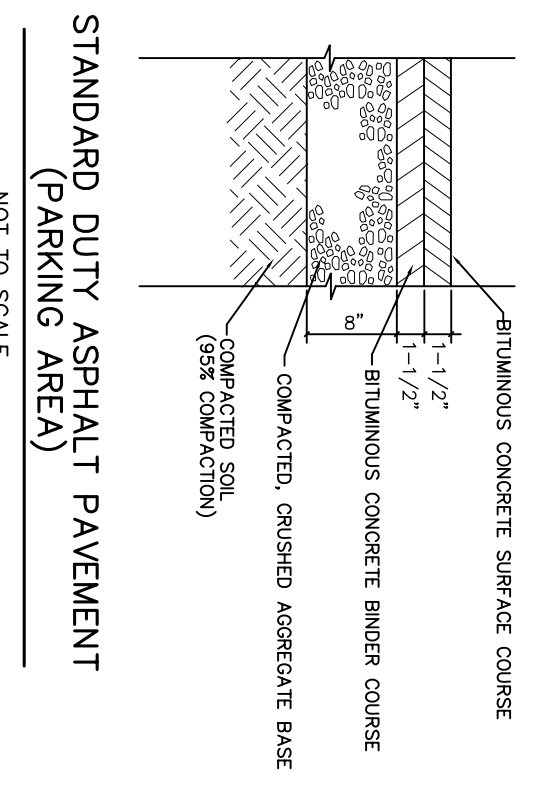
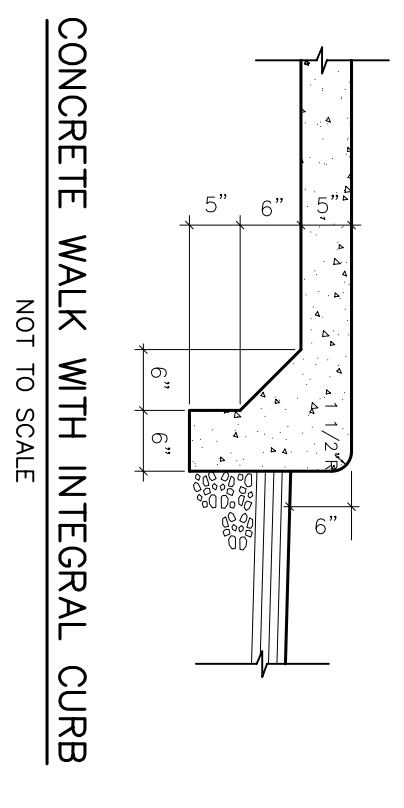
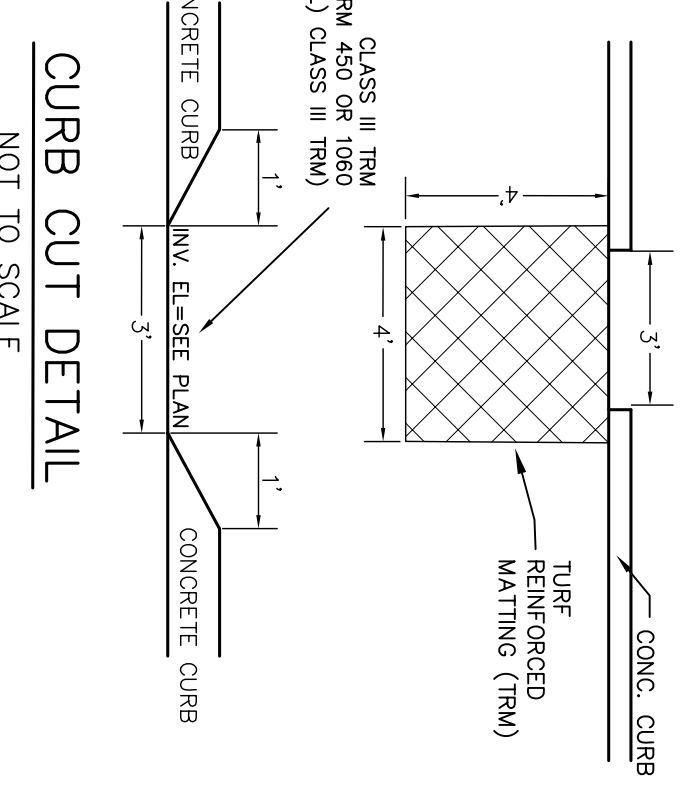
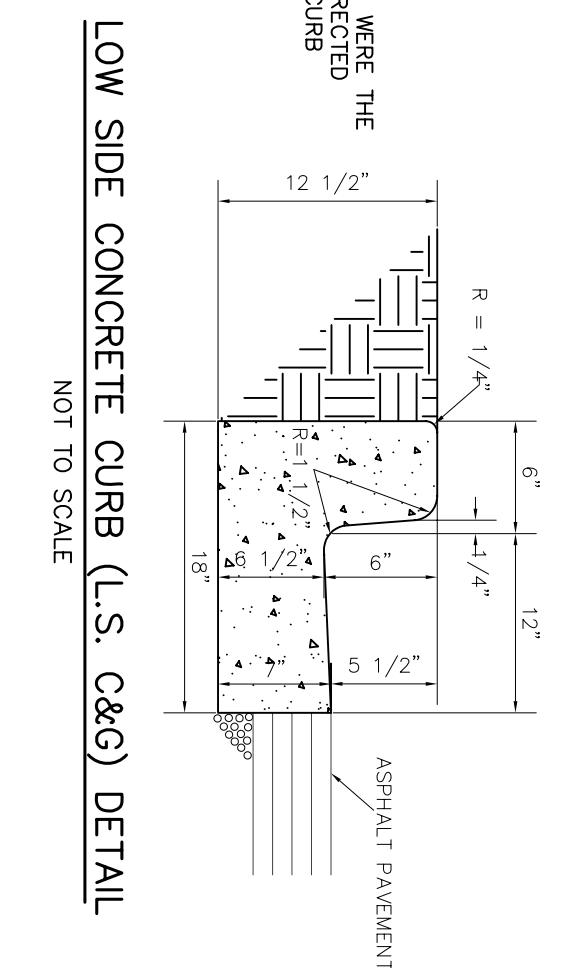
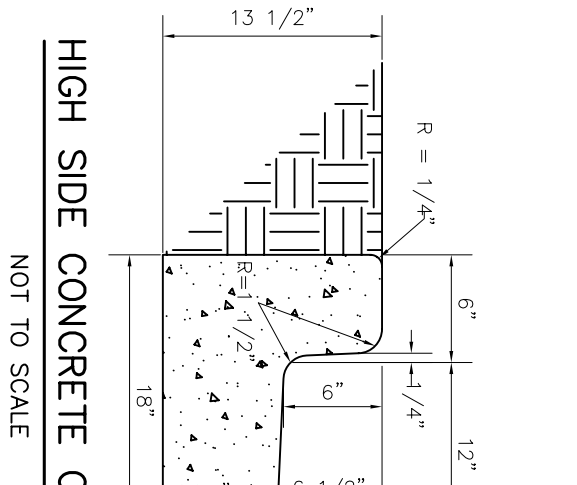
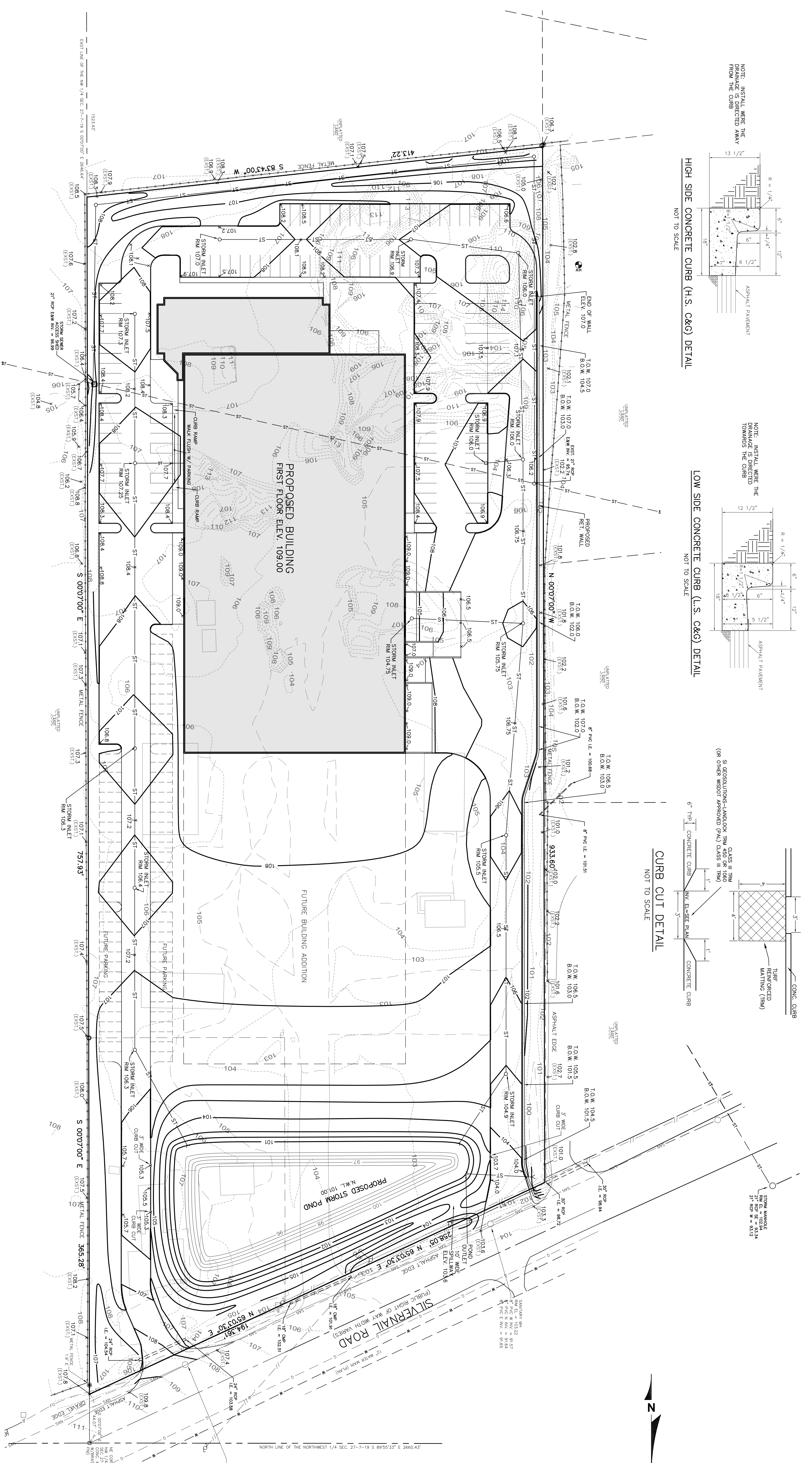


OBERLIN FILTER
831 SILVER NAIL RD. WAUKESHA, WI

SITE GRADING PLAN
C1.0



LEGEND

- - - - - EXISTING CONTOUR
- PROPOSED CONTOUR
- PROPOSED ELEVATION
- EXISTING STORM SEWER
- PROPOSED STORM SEWER

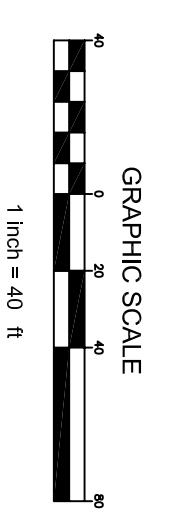
CALL OUTS

1. ALL PROPOSED SPOT GRADES SHOWN ARE AT BOTTOM OF SILVER NAIL ROAD (C114-17)

2. WISCONSIN COUNTY PERMIT REQUIRED FOR ANY WORK WITHIN SILVER NAIL ROAD (C114-17)

3. PROJECT BENCHMARK - WEST INVERT OF SANITARY MANHOLE FOUND ON THE SOUTH SIDE OF SILVER NAIL ROAD IN FRONT OF BUILDING #809. ELEV. = 108.28

4. SITE BENCHMARK - NORTH RIM OF SANITARY MANHOLE FOUND #809. ELEV. = 108.28



APRIL 23, 2014
JOB NO.: C1E1416R1