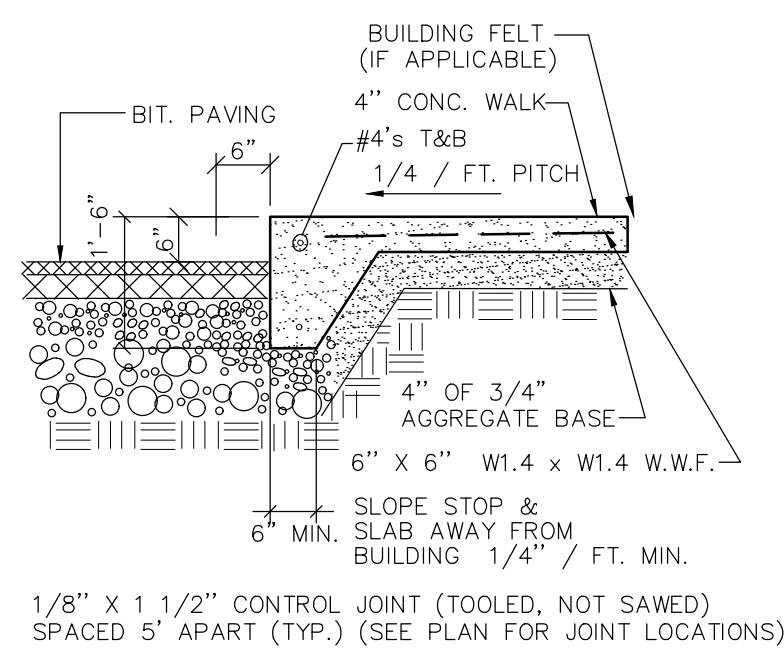
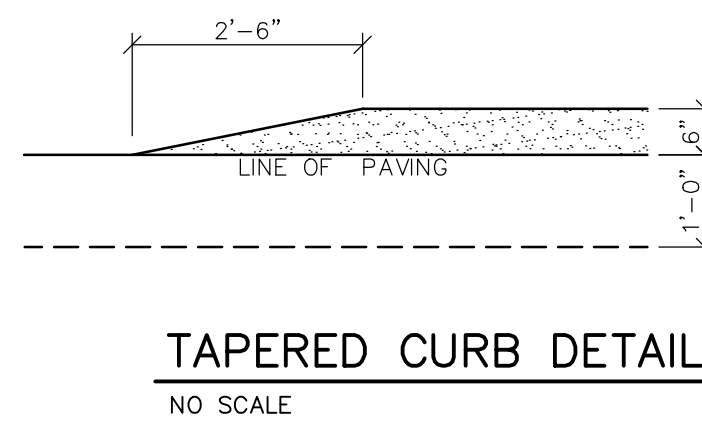


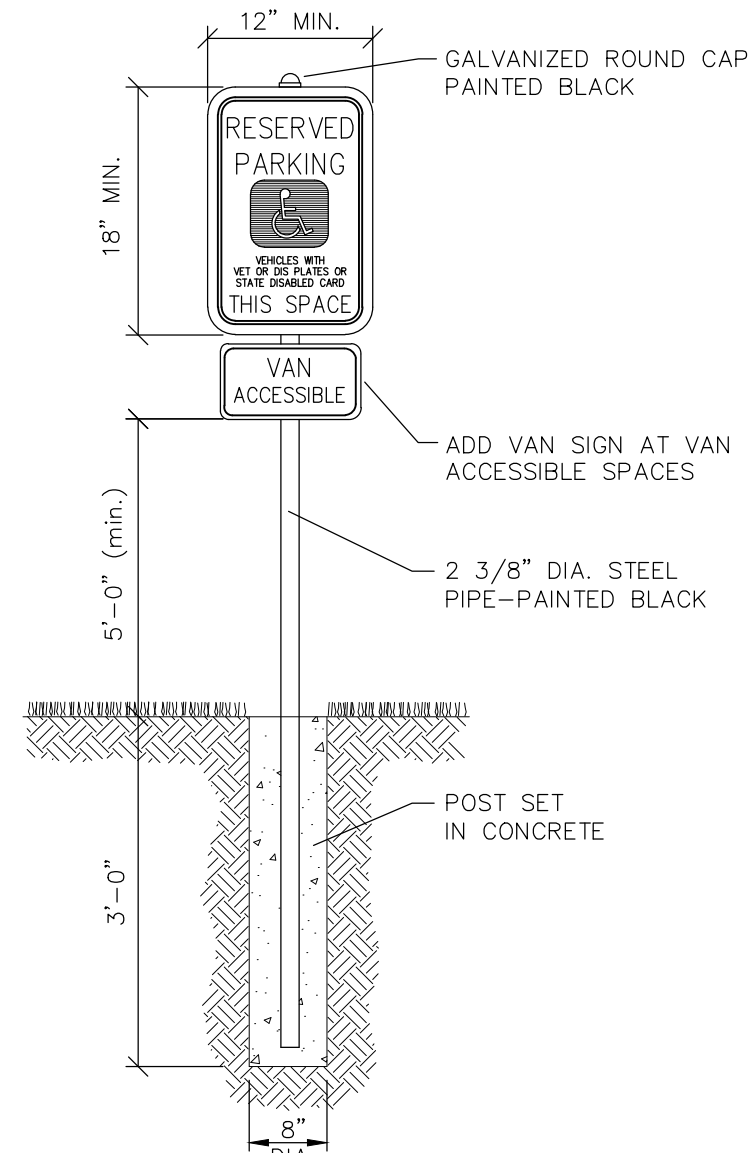
18" CONCRETE CURB & GUTTER DETAIL
NO SCALE



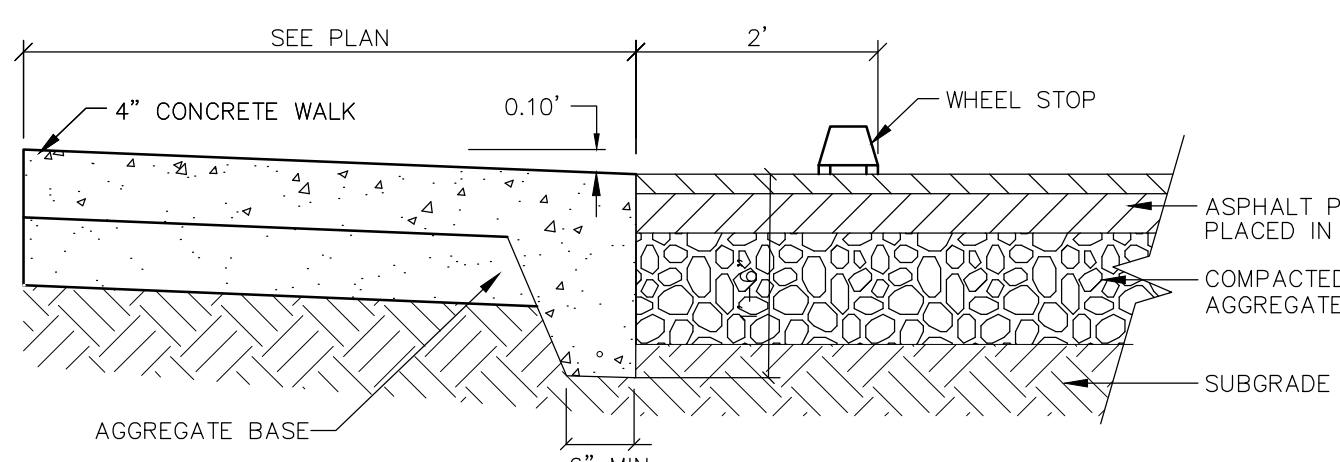
RAISED WALK DETAIL
NO SCALE



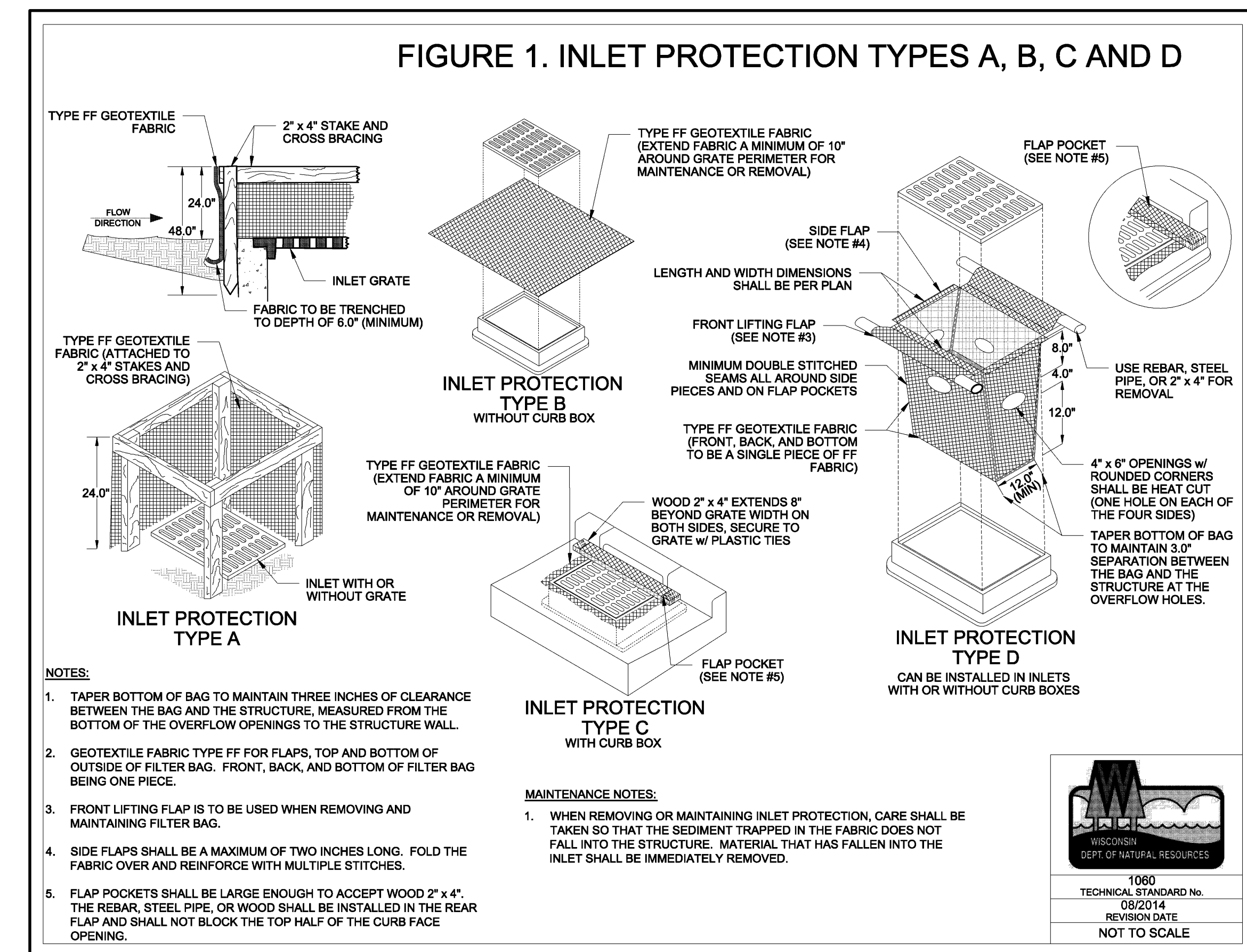
TAPERED CURB DETAIL
NO SCALE



HANDICAP SIGNAGE DETAIL
NO SCALE

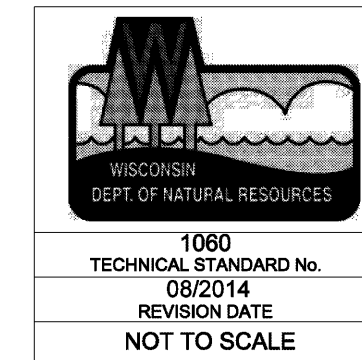


FLUSH WALK DETAIL
NO SCALE

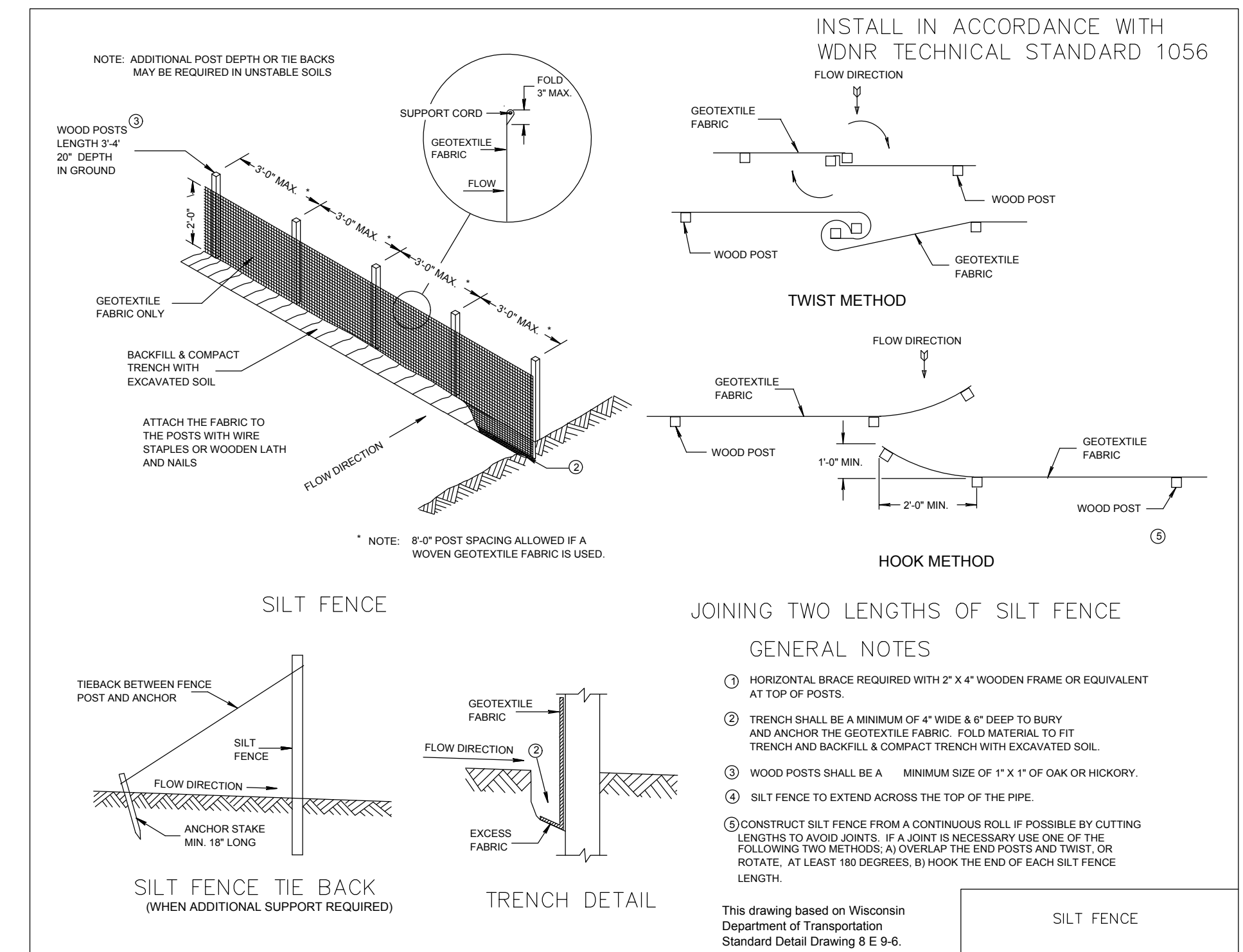


- NOTES:**
- TAPER BOTTOM OF BAG TO MAINTAIN THREE INCHES OF CLEARANCE BETWEEN THE BAG AND THE STRUCTURE, MEASURED FROM THE BOTTOM OF THE OVERFLOW OPENINGS TO THE STRUCTURE WALL.
 - GEOTEXTILE FABRIC TYPE FF FOR FLAPS, TOP AND BOTTOM OF OUTSIDE OF FILTER BAG. FRONT, BACK, AND BOTTOM OF FILTER BAG BEING ONE PIECE.
 - FRONT LIFTING FLAP IS TO BE USED WHEN REMOVING AND MAINTAINING FILTER BAG.
 - SIDE FLAPS SHALL BE A MAXIMUM OF TWO INCHES LONG. FOLD THE FABRIC OVER AND REINFORCE WITH MULTIPLE STITCHES.
 - FLAP POCKETS SHALL BE LARGE ENOUGH TO ACCEPT WOOD 2" x 4", THE REBAR, STEEL PIPE, OR WOOD SHALL BE INSTALLED IN THE REAR FLAP AND SHALL NOT BLOCK THE TOP HALF OF THE CURB FACE.

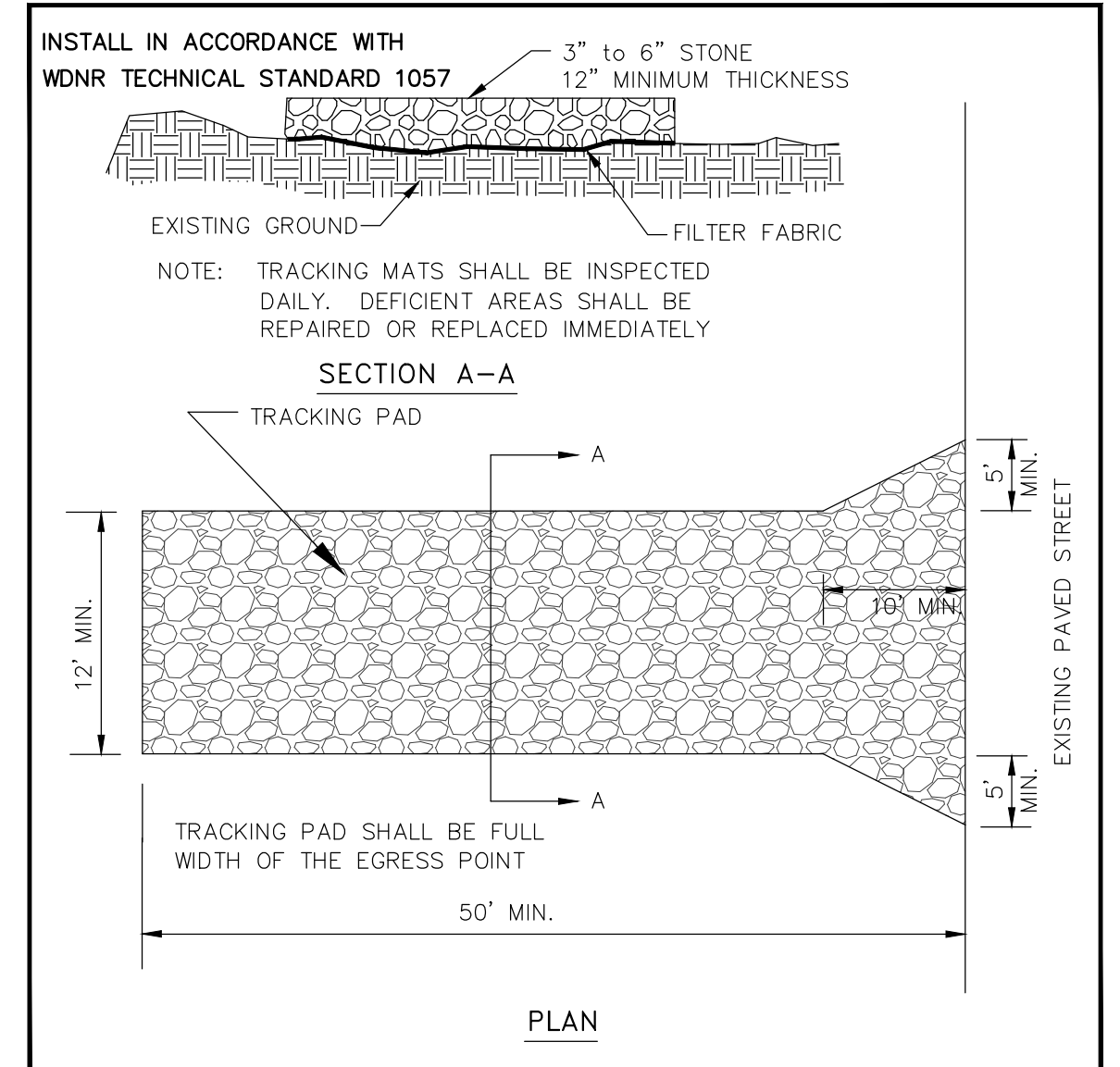
- MAINTENANCE NOTES:**
- WHEN REMOVING OR MAINTAINING INLET PROTECTION, CARE SHALL BE TAKEN SO THAT THE SEDIMENT TRAPPED IN THE FABRIC DOES NOT FALL INTO THE STRUCTURE. MATERIAL THAT HAS FALLEN INTO THE INLET SHALL BE IMMEDIATELY REMOVED.



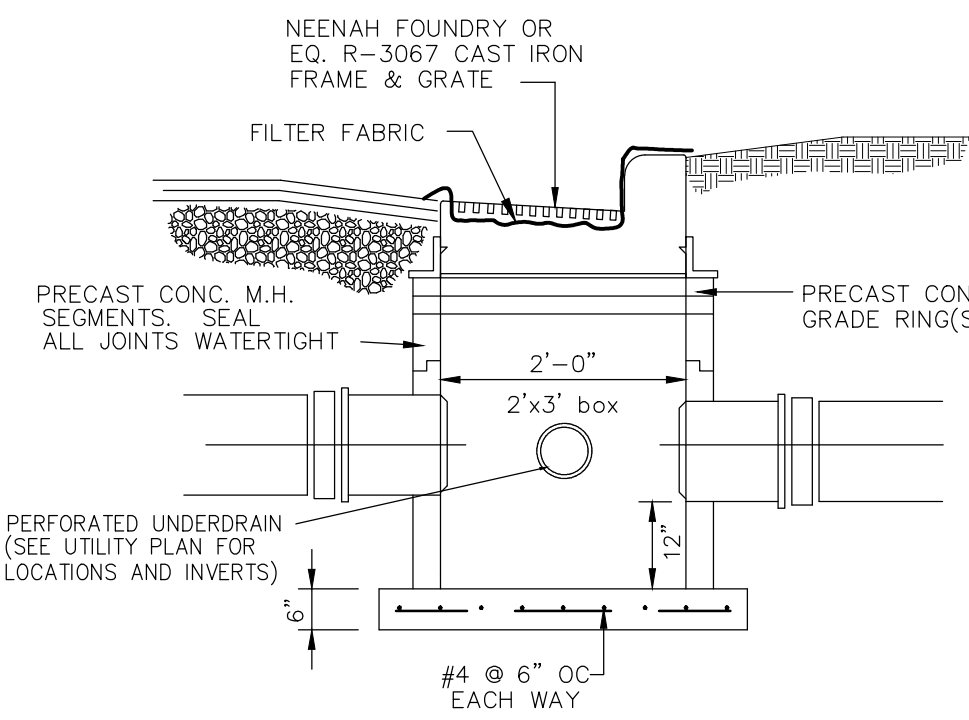
INLET PROTECTION DETAIL
NO SCALE



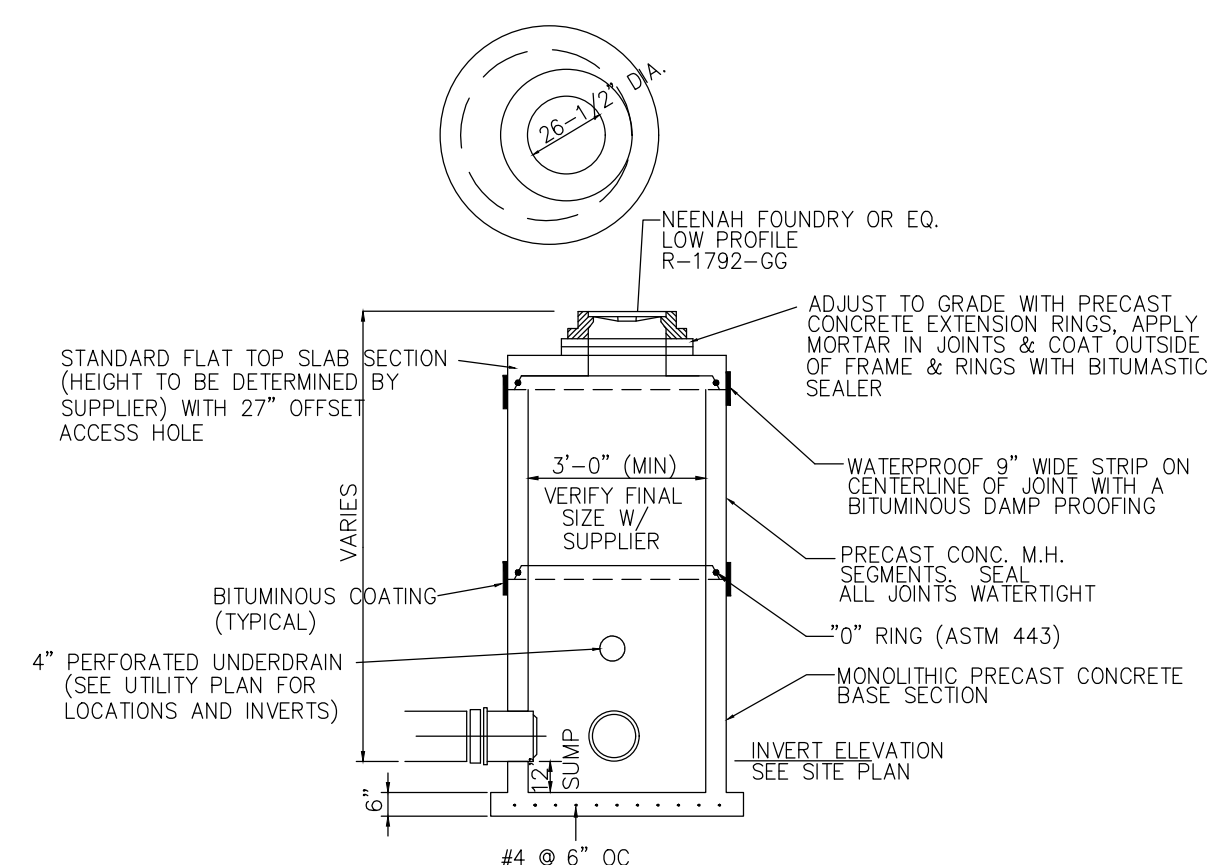
SILT FENCE - INSTALLATION DETAIL
NO SCALE



TRACKPAD DETAILS
NO SCALE



CURB INLET
NO SCALE



CATCH BASIN DETAIL
NO SCALE

SECTION A-A

SECTION B-B

PROJECTION

COMMENTS:
1. STRUCTURE WALL AND SLAB THICKNESSES ARE NOT TO SCALE.
2. CONTACT HYDRO INTERNATIONAL FOR A BOTTOM OF STRUCTURE ELEVATION PRIOR TO SETTING THE STRUCTURE.

DISTRIBUTED BY:
ADVANCED DRAINAGE SYSTEMS, INC. PLEASE CALL OR EMAIL JAMES BRONKHORST FOR PRICING.
JBS@ADS-USA.COM 202-794-2306

DATE: 7/20/18 SCALE: 1/50
DRAWN BY: GJW CHECKED BY: APPROVED BY: [Signature]

DESCRIPTION: 1648-Next Assy
1648-Next Assy
1648-Next Assy
1648-Next Assy

WQU MONTESSORI SCHOOL OF WALKESHA WALKESHA, WI
84 Hutchins Drive
Portland, ME 04102
Tel: +1 (207) 756-6200
Fax: +1 (207) 756-6212
hydro-int.com

ITEM	QTY	DESCRIPTION	SIZE (in)	TYPE
1	1	PRECAST VAULT	122 x 96	
2	1	OUTLET PIPE	15	RCP
3	1	OUTLET MODULE		
4	1	BYPASS HOOD		
5	15	MODULE LID		
6	4	SINGLE SUPPORT FRAME		
7	1	TRIANGULAR SUPPORT BRACKET		
8	1	30" FRAME AND COVER	30	
9	2	24" FRAME AND COVER	24	
10	15	MODULE BODY		
11	6	DUAL SUPPORT FRAME LH		
12	4	BACKER PLATE		

Hydro-Int'l

84 Hutchins Drive
Portland, ME 04102
Tel: +1 (207) 756-6200
Fax: +1 (207) 756-6212
hydro-int.com

DO NOT SCALE DRAWING

REVISIONS:
1. 1648-NEXT ASSY
2. 1648-NEXT ASSY
3. 1648-NEXT ASSY

DATE: 7/20/18 SCALE: 1/50
DRAWN BY: GJW CHECKED BY: APPROVED BY: [Signature]

DESCRIPTION: 1648-Next Assy
1648-Next Assy
1648-Next Assy
1648-Next Assy

WQU MONTESSORI SCHOOL OF WALKESHA WALKESHA, WI
84 Hutchins Drive
Portland, ME 04102
Tel: +1 (207) 756-6200
Fax: +1 (207) 756-6212
hydro-int.com

SECTION H-H
SCALE 1/50

PRECAST DETAIL

SECTION C-C
SCALE 1/50

INLET ORIFICE SECTION D-D
SCALE 1/50

PROJECTION

COMMENTS:
1. STRUCTURE WALL AND SLAB THICKNESSES ARE NOT TO SCALE.
2. CONTACT HYDRO INTERNATIONAL FOR A BOTTOM OF STRUCTURE ELEVATION PRIOR TO SETTING THE STRUCTURE.

DISTRIBUTED BY:
ADVANCED DRAINAGE SYSTEMS, INC. PLEASE CALL OR EMAIL JAMES BRONKHORST FOR PRICING.
JBS@ADS-USA.COM 202-794-2306

DATE: 7/20/18 SCALE: 1/50
DRAWN BY: GJW CHECKED BY: APPROVED BY: [Signature]

DESCRIPTION: 1648-Next Assy
1648-Next Assy
1648-Next Assy
1648-Next Assy

WQU MONTESSORI SCHOOL OF WALKESHA WALKESHA, WI
84 Hutchins Drive
Portland, ME 04102
Tel: +1 (207) 756-6200
Fax: +1 (207) 756-6212
hydro-int.com

ITEM	QTY	DESCRIPTION	SIZE (in)	TYPE
1	1	PRECAST VAULT	122 x 96	
2	1	INLET PIPE	15	
3	1	OUTLET PIPE	15	
4	1	OUTLET MODULE		
5	15	MODULE LID		
6	4	SINGLE SUPPORT FRAME		
7	1	TRIANGULAR SUPPORT BRACKET		
8	1	30" FRAME AND COVER	30	
9	2	24" FRAME AND COVER	24	
10	15	MODULE BODY		
11	6	DUAL SUPPORT FRAME LH		
12	4	BACKER PLATE		

Hydro-Int'l

84 Hutchins Drive
Portland, ME 04102
Tel: +1 (207) 756-6200
Fax: +1 (207) 756-6212
hydro-int.com

DO NOT SCALE DRAWING

REVISIONS:
1. 1648-NEXT ASSY
2. 1648-NEXT ASSY
3. 1648-NEXT ASSY

DATE: 7/20/18 SCALE: 1/50
DRAWN BY: GJW CHECKED BY: APPROVED BY: [Signature]

DESCRIPTION: 1648-Next Assy
1648-Next Assy
1648-Next Assy
1648-Next Assy

WQU MONTESSORI SCHOOL OF WALKESHA WALKESHA, WI
84 Hutchins Drive
Portland, ME 04102
Tel: +1 (207) 756-6200
Fax: +1 (207) 756-6212
hydro-int.com