

**CALCULATION STATISTICS**

OVERALL SITE	PARKING/LOADING/CIRCULATING
AVERAGE 4.5	AVERAGE 4.4
MAXIMUM 57.7	MAXIMUM 19.9
MINIMUM 0.0	MINIMUM 0.4
MAXIMUM 57.7	MAXIMUM 49.81
AVERAGE 4.5	AVERAGE 4.4

**NOTE:**  
FOOTCANDLE LEVELS SHOWN ON THIS PLAN ARE CALCULATED AT GRADE LEVEL.

**FIGURE QUANTITIES**

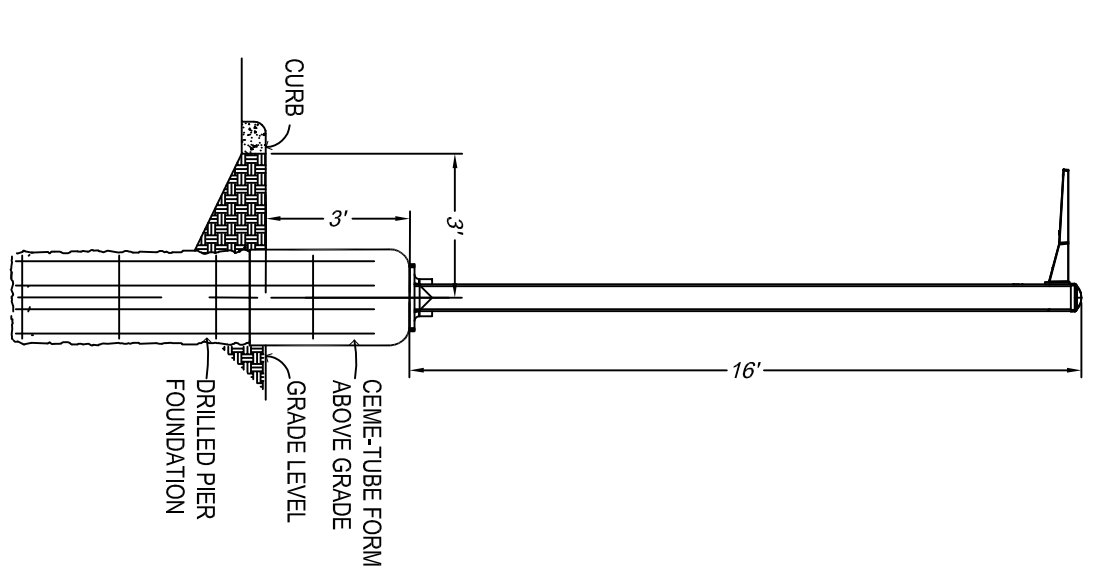
- A - 10
  - B - 2
  - C - 29
  - D - 10
  - E - 2
- PROVIDE (6) 15' POLES

**FIGURE SYMBOLS:**

- A & D LED LIGHT MOUNTED UNDER FUEL CANOPY
- B & F LED STRIP LIGHT MOUNTED IN GABLE
- RECESSED LED DOWNLIGHT
- POLE MOUNTED LED FIXTURE

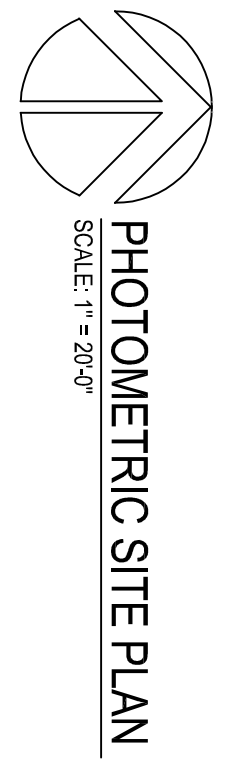
**FIXTURE TYPES:**

- A - IS LIGHTING: SV-LED-2X3-SCFT-DJW-DMK-SQ-WHT MOUNTED UNDER GAS CANOPY MOUNTED FIXTURES WITH FORWARD THROW OPTIC AIMING AT STORE FRONT.
- B - LED STRIP LIGHT MOUNTED IN GABLE LITHONIA-4721-N-LS6
- C - RECESSED LED DOWNLIGHT 60THM-FR035356-RW-ND-125-RW
- D - IS LIGHTING: SV-LED-16-SQ-DMK-SQ-WHT MOUNTED UNDER GAS CANOPY
- E - IS LIGHTING: SV-LED-9-1-SCFT-DJW-SC700-R-WHT-L LITHONIA-4721-N-LS6
- F - LED STRIP LIGHT MOUNTED IN GABLE LITHONIA-4721-N-LS6 FIGURE IS SHOWN DIMMED DOWN TO 20%



**LOT LIGHT ELEVATION DETAIL**

NOT TO SCALE  
POLE IS FOR CAMERA ONLY, NO LIGHT FIXTURE.



**Kwik Trip, Inc.**  
P.O. BOX 2107  
1626 OAK STREET  
LA CROSSE, WI 54602-2107  
PH. (608) 781-8988  
FAX (608) 781-8960

**rasSmith**  
16245 W. Blomquist Road  
Boscald, WI 53005-5788  
(262) 781-1000  
rasSmith.com

**CONVENIENCE STORE #527**

#	DATE	DESCRIPTION

1700 PEWAUKEE RD  
WAUKESHA, WI

DRAWN BY	AMM
SCALE	GRAPHIC
PROJ. NO.	3190494
DATE	2019-12-20
SHEET	E1

**GR@EF**  
275 West Wisconsin Avenue, Suite 300  
Miltona, WI 53023  
414.229.1930  
414.229.0337 fax

2020-01-05-04