

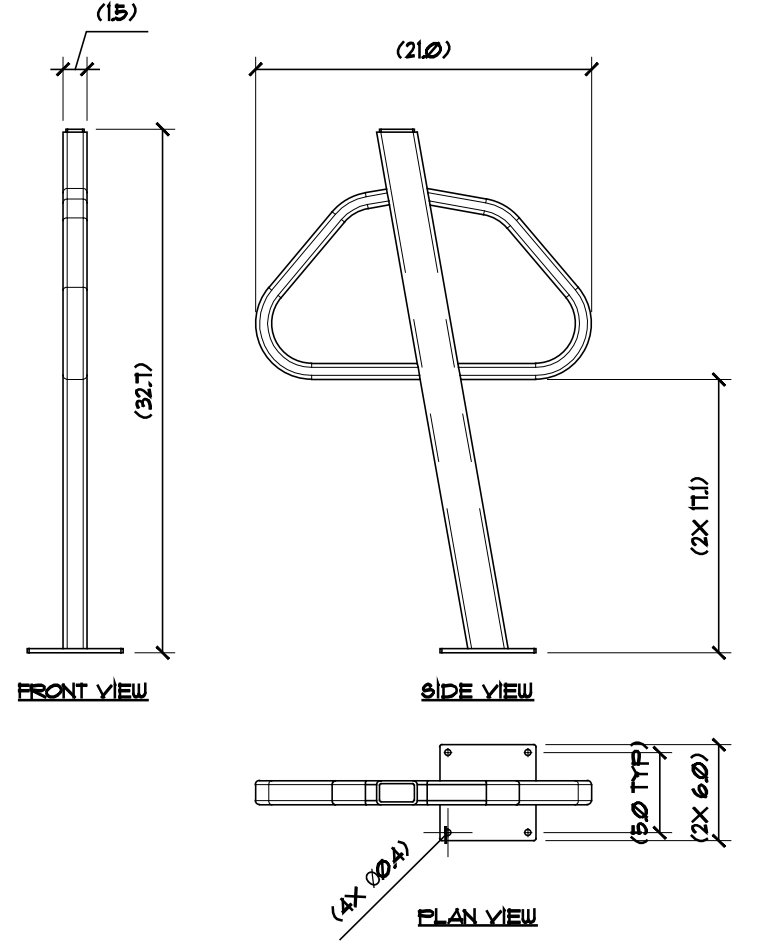
- LEGEND:**
- PROPERTY CORNER
 - PROPERTY LINE
 - SAN SANITARY SEWER
 - STH STORM SEWER
 - WATER MAIN
 - ⊕ FIRE HYDRANT
 - ⊕ UTILITY POLE
 - ⊕ UTILITY POLE W/ LIGHT
 - MANHOLE
 - WATER VALVE
 - CURB INLET
 - STORM SEWER ACCESS COVER
 - ⊕ SPOT ELEVATION
 - ⊕ MONITORING WELL
 - ▨ EXISTING BUILDING

TO OBTAIN LOCATIONS OF PARTICIPANTS UNDERGROUND FACILITIES BEFORE YOU DIG IN WISCONSIN

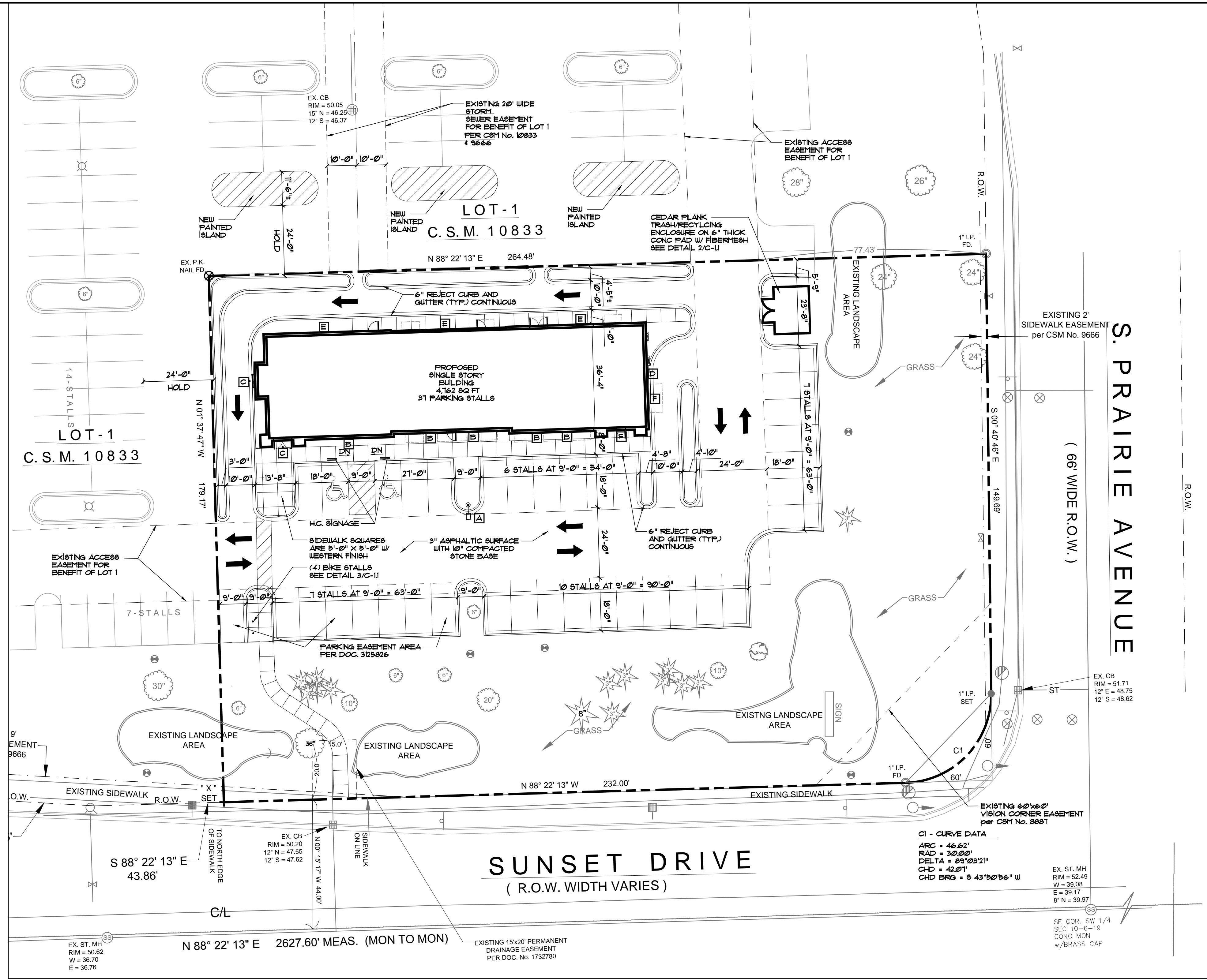


CALL DIGGERS HOTLINE
1-800-242-8811
TOLL FREE
WS STATUTE 102.075(1514)
REQUIRED MIN. 3 WORK DAYS
NOTICE BEFORE YOU EXCAVATE

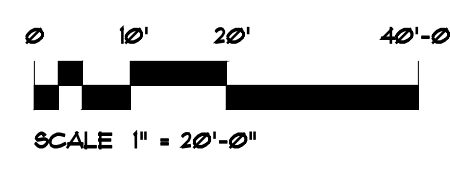
- GENERAL NOTES:**
- ALL PAINT STRIPPING SHALL BE 4" WIDE, YELLOW
 - H.C. CURB CUTS AND RAMPS PER ADA SEC. 41 MAX. SLOPE TO BE 1:12, MIN. WIDTH TO BE 36", FLARE SIDES 12" EACH SIDE WITH MAX. SLOPE OF 1:10. AREA TO BE COLORED CONCRETE WITH TEXTURE IN COMPLIANCE WITH ADA REQUIREMENTS
 - ALL DIMENSIONS ARE FROM FACE OF CONCRETE WALL, FACE OF CURB OR CENTER OF PROPERTY LINE.
 - BITUMINOUS PAVING 18" 3" SURFACE COURSE ON 10" COMPACTED STONE BASE
 - ALL EXTERIOR CONCRETE SIDEWALKS TO BE 6" BAG MIX WITH WESTERN FINISH 4" THICK W/ W/F REINFORCING ON 6" COMPACTED FILL.
 - WATER SERVICE MATERIAL SHALL BE CL 51 D.I.
 - SEWER AND WATER CONSTRUCTION SHALL BE COMPLETED IN ACCORDANCE WITH THE CITY OF WAUKESHA STANDARD SPECIFICATIONS FOR PUBLIC WORKS CONSTRUCTION
 - FIRE PROTECTION SHALL BE PROVIDED IN ACCORDANCE WITH THE REQUIREMENTS OF THE FIRE DEPARTMENT
 - SIDEWALKS AND DRIVEWAY APRON CONSTRUCTION WITHIN THE PUBLIC RIGHTS OF WAY SHALL BE CONSTRUCTED IN ACCORDANCE WITH THE CITY OF WAUKESHA STANDARD SPECIFICATIONS FOR PUBLIC WORKS CONSTRUCTION
 - DURING CONSTRUCTION REMOVE CASTING GRATE ON ALL CATCH BASINS INSTALL WATER PERMEABLE MEMBRANE FOR SILT INFILTRATION PROTECTION AND REINSTALL CASTING GRATE. SECURE MEMBRANE IN THE FLOW LINE WITH 2X4 MATERIAL, MINIMUM
 - EXISTING WATER MAIN VALVES SHALL BE MARKED AND PROTECTED FOR DURATION OF CONSTRUCTION
 - SLOPES GREATER THAN 3:1 SHALL BE LINED WITH EROSION MATTING
 - TRACKED MATERIAL SHALL BE COLLECTED BY THE GENERAL CONTRACTOR AT THE END OF EACH WORKING DAY OR AS REQUIRED BY THE CITY
 - PROVIDE KNOX BOX FOR THE FIRE DEPARTMENT. CO-ORDINATE LOCATION WITH FIRE DEPARTMENT PRIOR TO INSTALLATION
 - ALL "STOP" SIGNS ARE TO BE INSTALLED AT A HEIGHT OF 1 FEET AT ALL DRIVEWAY APPROACHES BEHIND THE PROPERTY LINE
 - THE PUBLIC WORKS DEPARTMENT SHALL BE NOTIFIED A MINIMUM OF 48 HOURS BEFORE THE START OF WORK IN THE RIGHT OF WAY OR UTILITY CONNECTIONS



8ARIS CYCLING GROUP
POST AND RING, 2450 SERIES, FM
BIKE STALL DETAIL
C-1.1 NO SCALE

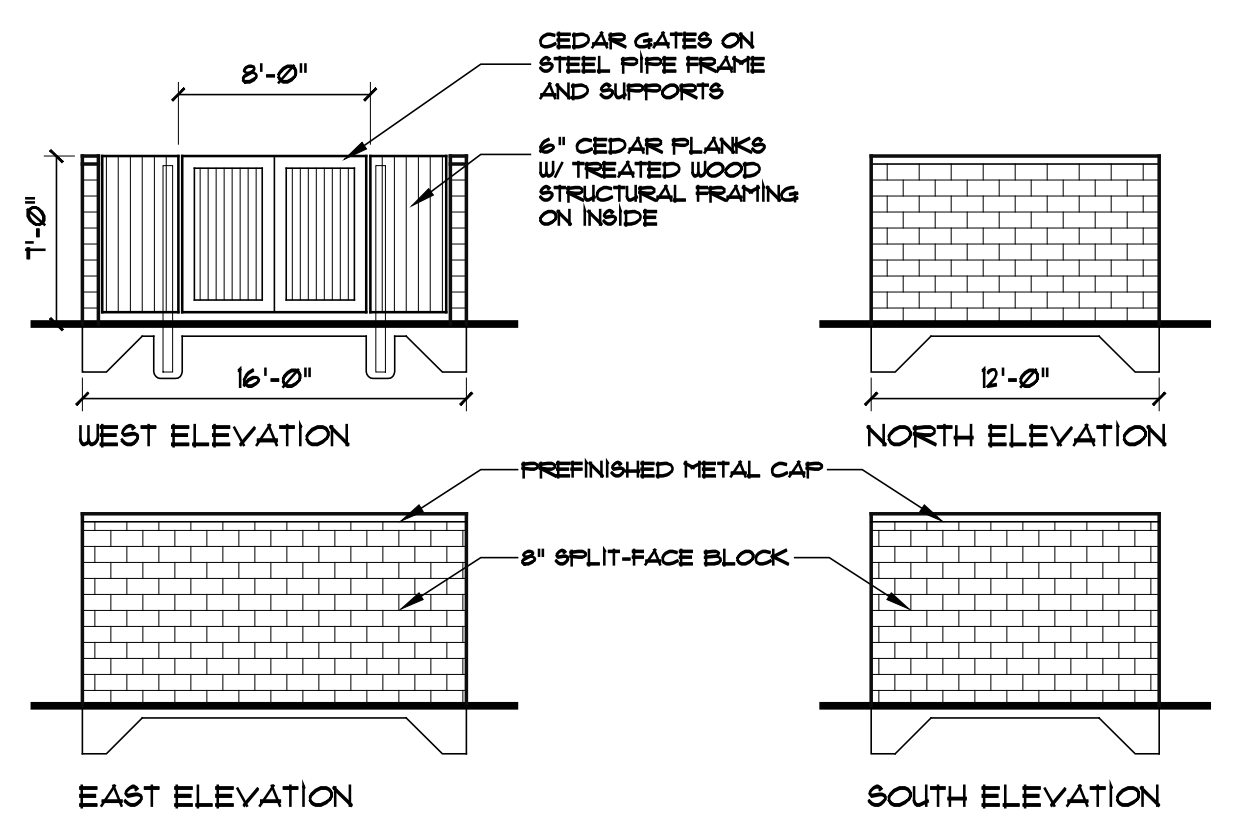


1 SITE PLAN
C-1.1 SCALE: 1" = 20' - 0"

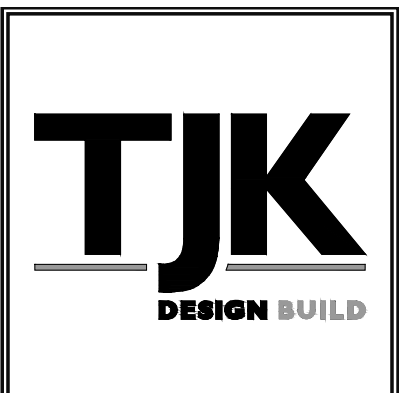


LIGHT FIXTURE KEY

- A COOPER LIGHTING INDUSTRIES, LUMARK 320W MH SINGLE HEAD PARKING LOT LIGHT FIXTURE ON 4" X 20" POLE ON 3'-0" CONC. PIER, MODEL MFT-1-32-23-P-20 (23'-0" FROM GRADE)
- B TERON LIGHTING, ARCHITECTURAL OUTDOOR CITADEL W MODEL ACTDU-M10-TB (8'-0" FROM GRADE)
- C COOPER LIGHTING INDUSTRIES, HALO LED RECESSED CAN LIGHT FIXTURE MODEL 41TBICAT (10'-6" FROM GRADE)
- D COOPER LIGHTING INDUSTRIES, STREETWORKS 150W MH WALL-PAC LIGHT FIXTURE MODEL WKP-15-P-FC-EK (14'-0" FROM GRADE)
- E COOPER LIGHTING INDUSTRIES, STREETWORKS 390W MH WALL-PAC LIGHT FIXTURE MODEL WKP-39-P-FC-EK (11'-4" FROM GRADE)
- F COOPER LIGHTING INDUSTRIES, STREETWORKS 390W MH WALL-PAC LIGHT FIXTURE MODEL WKP-39-P-FC-EK (10'-0" FROM GRADE)



2 TRASH ENCLOSURE DETAIL
C-1.1 NO SCALE



612 WEST MAIN STREET
MADISON, WI 53703
608-257-1090
FAX 608-257-1092

REV	DATE
	10.8.15

COPYRIGHTED DRAWING
© 2011, TJK Design Build, Inc. ALL RIGHTS RESERVED. NEITHER THIS DOCUMENT NOR THE INFORMATION HEREIN MAY BE REPRODUCED, DISTRIBUTED, USED OR DISCLOSED, IN WHOLE OR IN PART, UNLESS EXPRESSLY AUTHORIZED IN WRITING BY TJK Design Build, Inc.

PROPOSED FACILITY FOR:
KLINKE COMMERCIAL DEVELOPMENT
SUNSET DRIVE
WAUKESHA, WISCONSIN

C-1.1
9.18.15