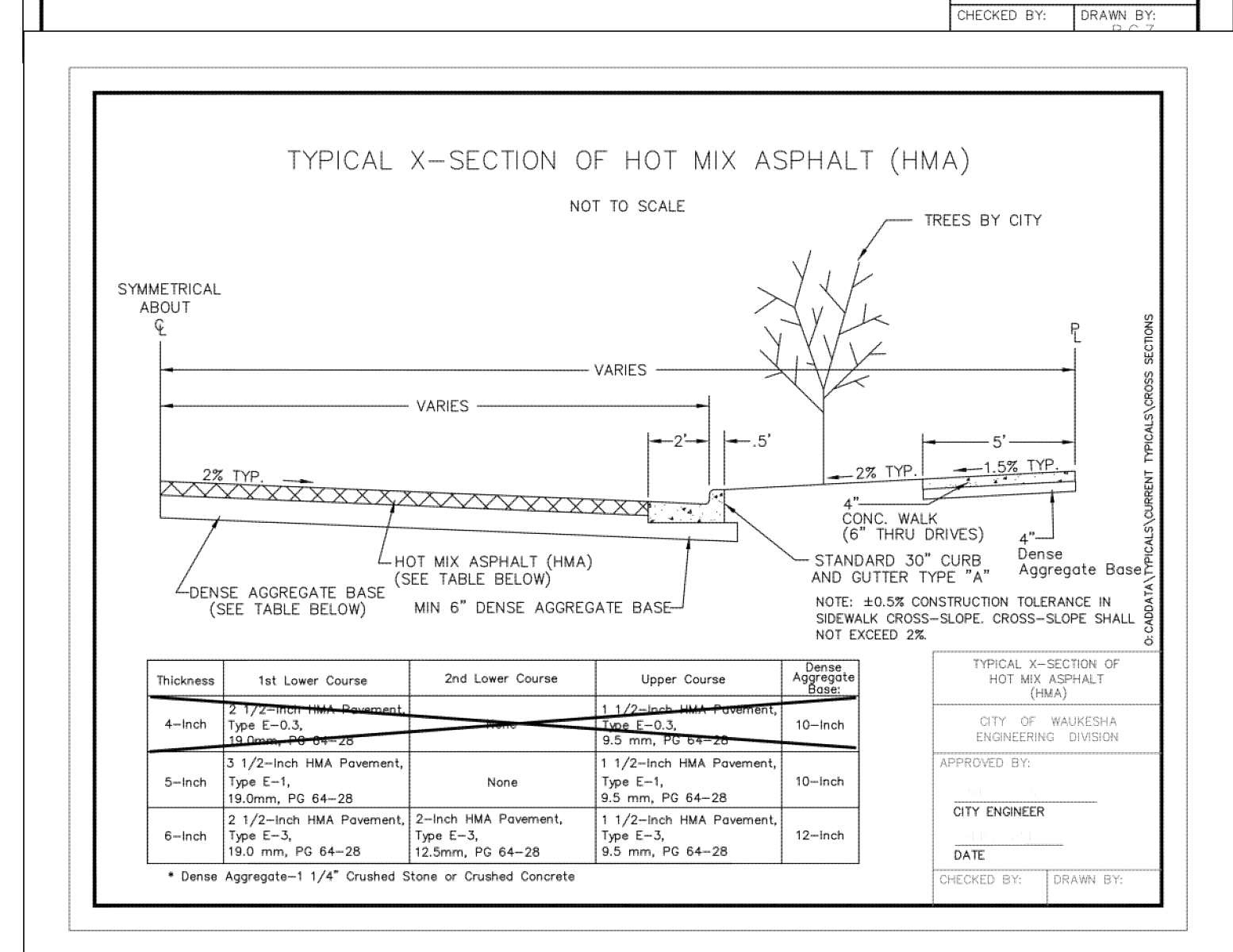
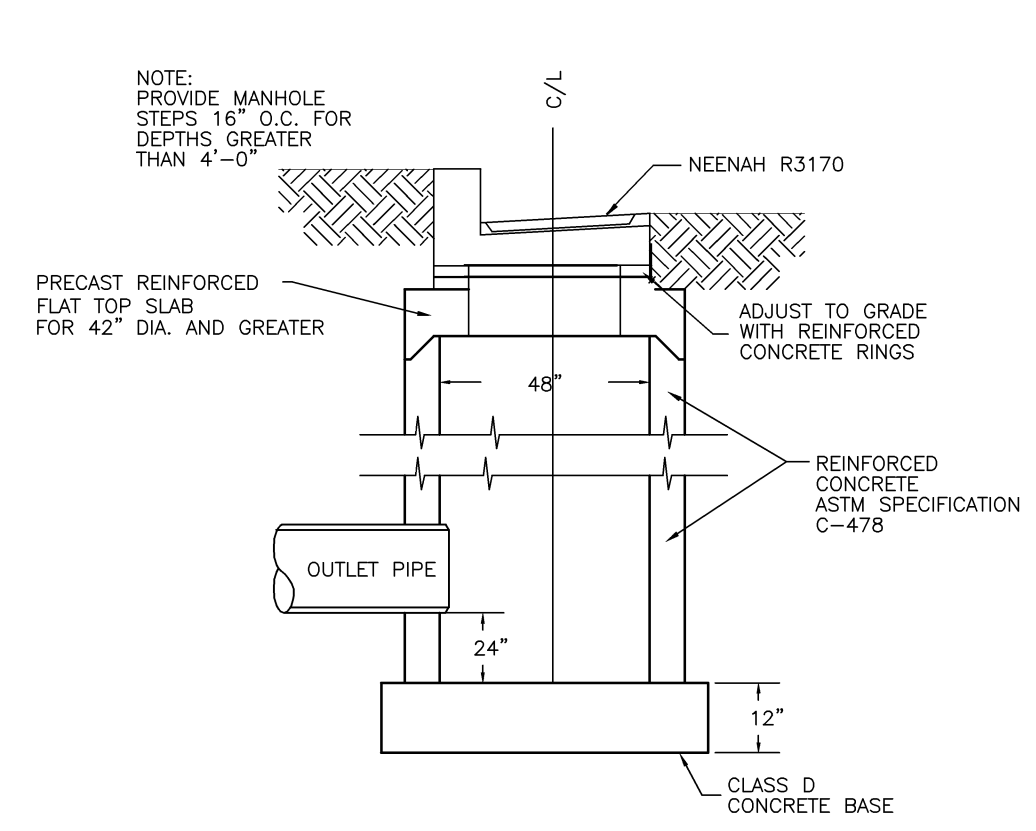
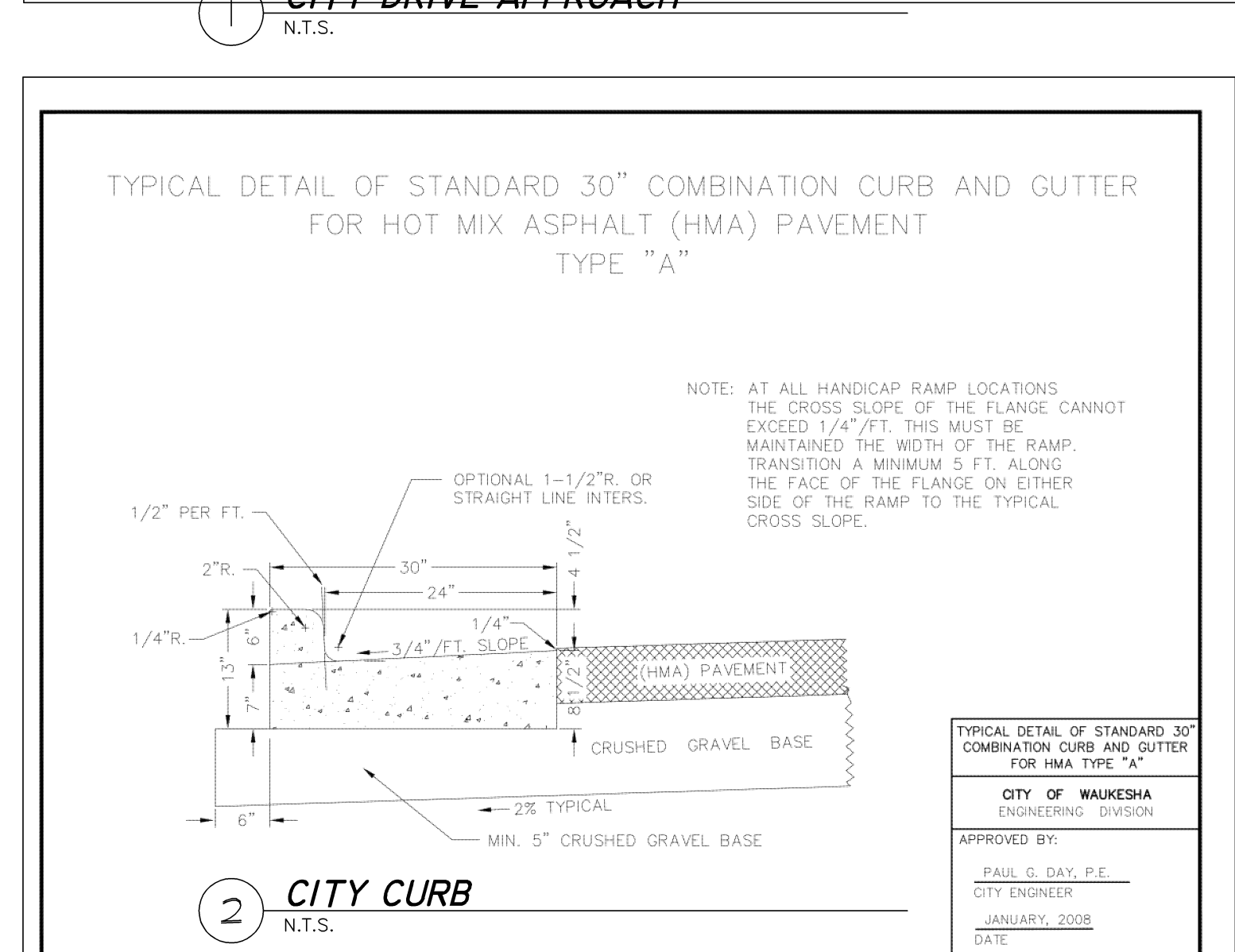
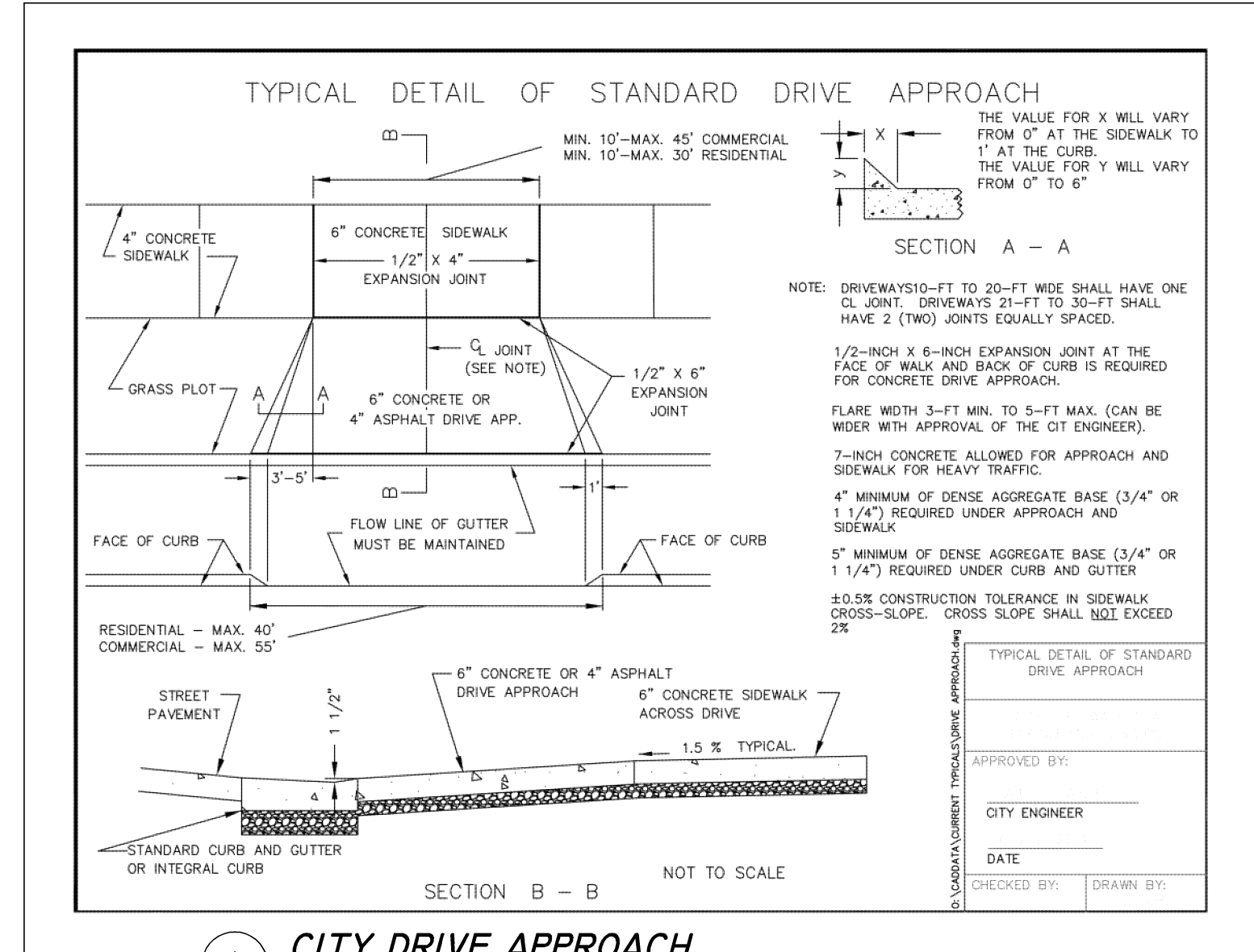
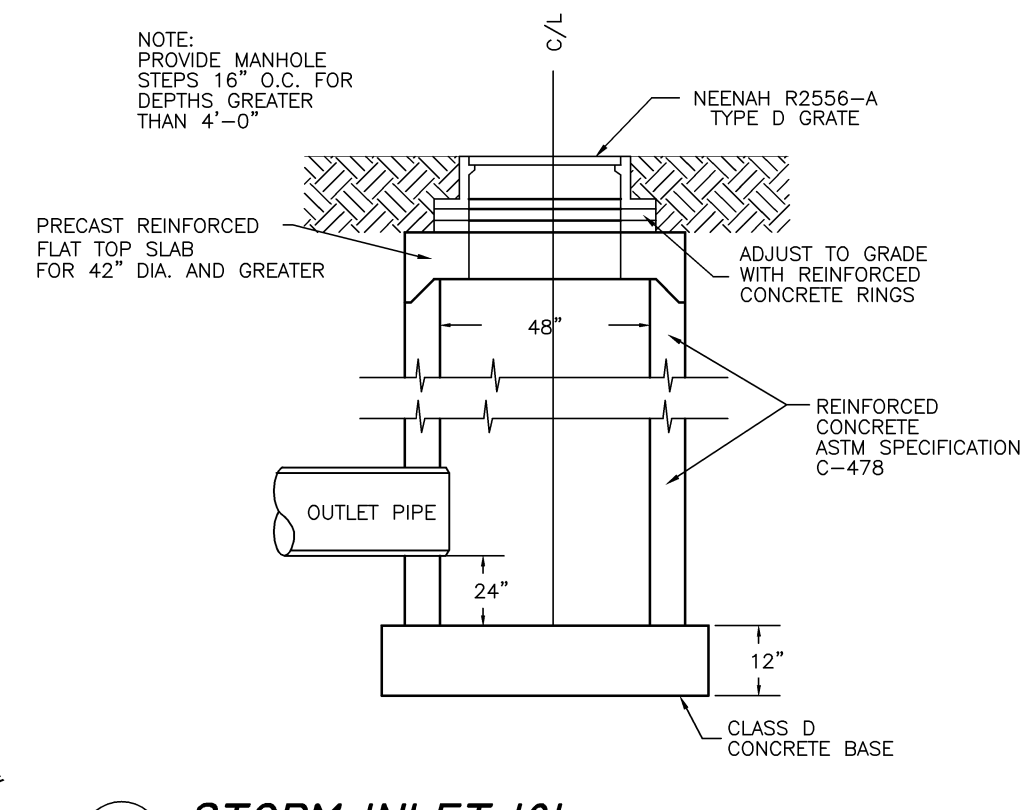
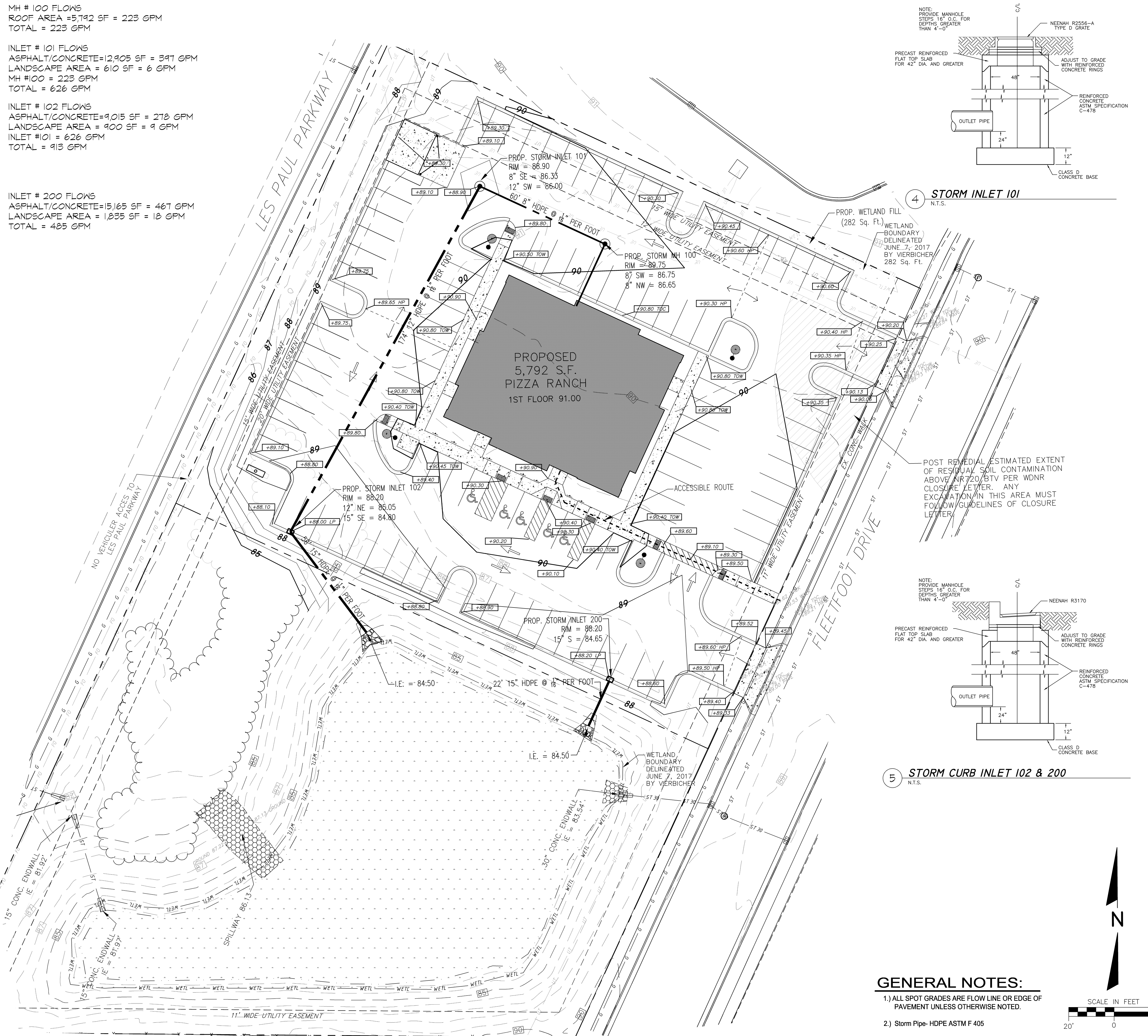


MH # 100 FLOWS
 ROOF AREA = 5,792 SF = 223 GPM
 TOTAL = 223 GPM

INLET # 101 FLOWS
 ASPHALT/CONCRETE = 12,905 SF = 397 GPM
 LANDSCAPE AREA = 610 SF = 6 GPM
 MH #100 = 223 GPM
 TOTAL = 626 GPM

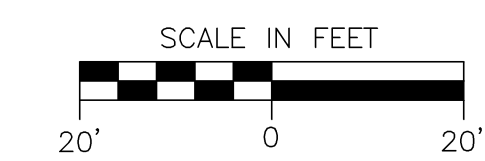
INLET # 102 FLOWS
 ASPHALT/CONCRETE = 9,015 SF = 278 GPM
 LANDSCAPE AREA = 900 SF = 9 GPM
 INLET #101 = 626 GPM
 TOTAL = 913 GPM

INLET # 200 FLOWS
 ASPHALT/CONCRETE = 15,165 SF = 467 GPM
 LANDSCAPE AREA = 1,235 SF = 13 GPM
 TOTAL = 485 GPM



GENERAL NOTES:

- 1) ALL SPOT GRADES ARE FLOW LINE OR EDGE OF PAVEMENT UNLESS OTHERWISE NOTED.
- 2) Storm Pipe- HDPE ASTM F 405



REVISIONS: NOTE DATE		TDI ASSOCIATES, INC All Rights Reserved N8 W2290 JOHNSON DRIVE, SUITE B4 WAUKESHA, WISCONSIN 53186 PHONE 262-409-2530 FAX 262-409-2531		OWNERSHIP OF DOCUMENTS This document and the ideas and design incorporated herein, are the sole property of TDI Associates, Inc. and it is to be used in whole or in part for any other project or purpose without the expressed written authorization of TDI Associates, Inc.	
		 TDI ASSOCIATES, INC. ARCHITECTURE, ENGINEERING, PLANNING			
		CITY OF WAUKESHA, WI PIZZA RANCH #8610 - FLEETWOOD DRIVE SITE GRADING/DRAINAGE PLAN			
		SCALE: 1" = 20'-0"		JOB NO: 15-383.000	
		DESIGNED BY: ROB		DRAWN BY: ROB	
		APPROVED BY: _____		CHECKED BY: _____	
		ENGINEER		DATE	
				SHEET C-3.0	