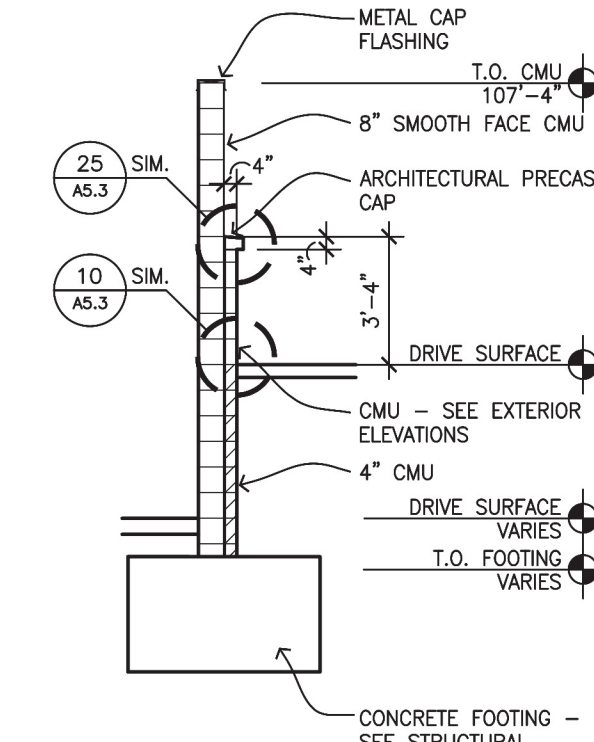
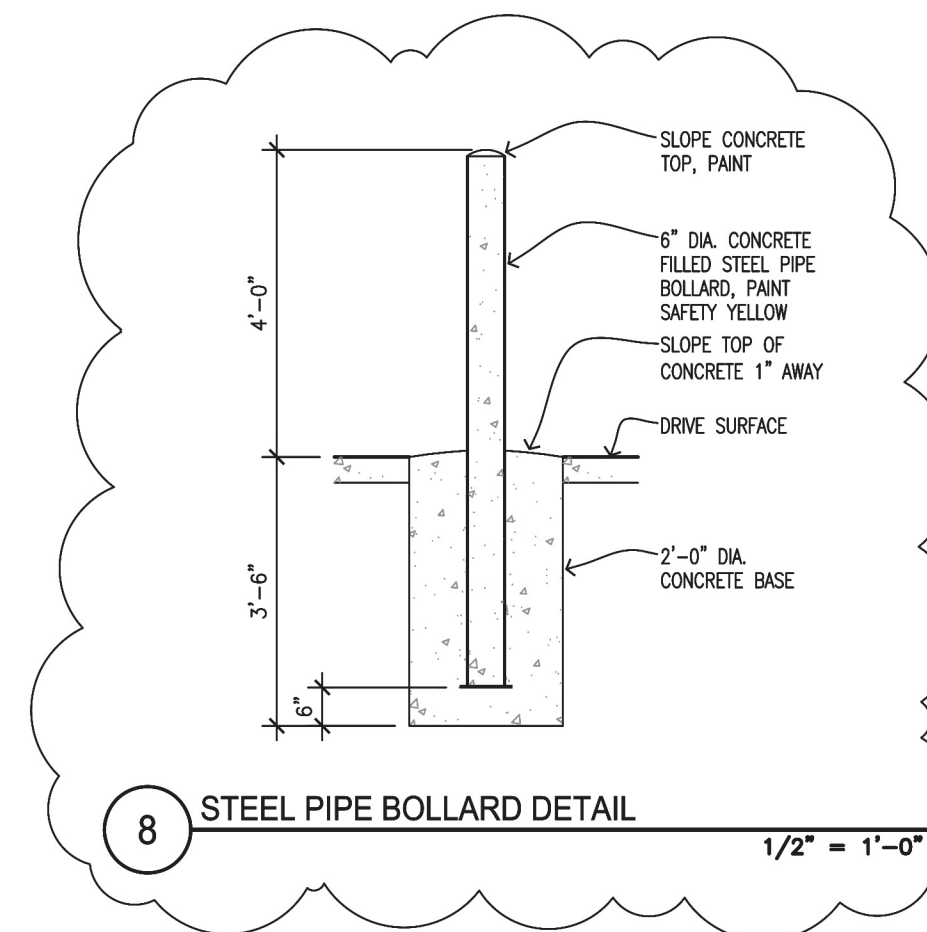


6 WALL SECTION AT TRASH ENCLOSURE
1/4" = 1'-0"

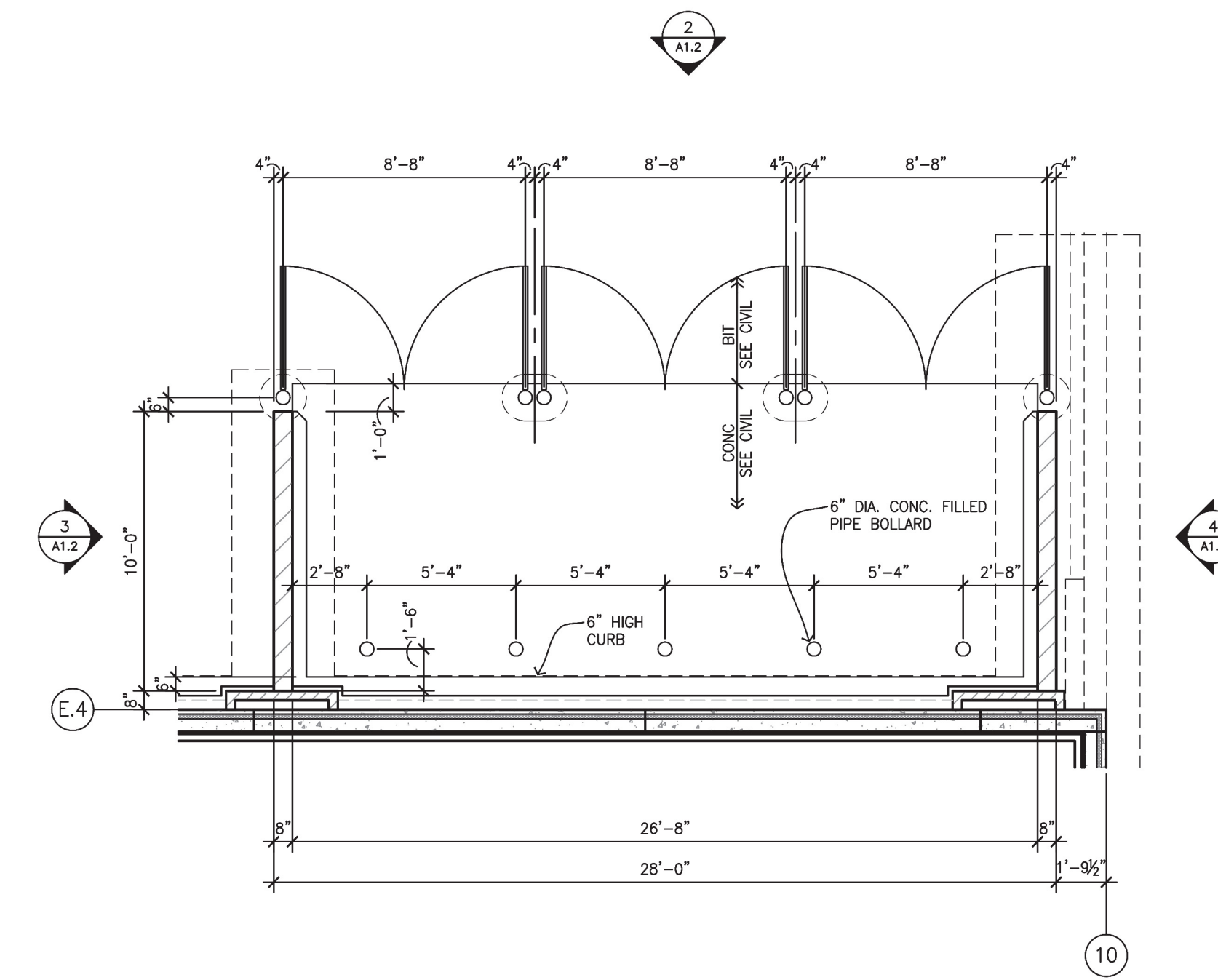


7 WALL SECTION AT LOADING DOCK
1/4" = 1'-0"

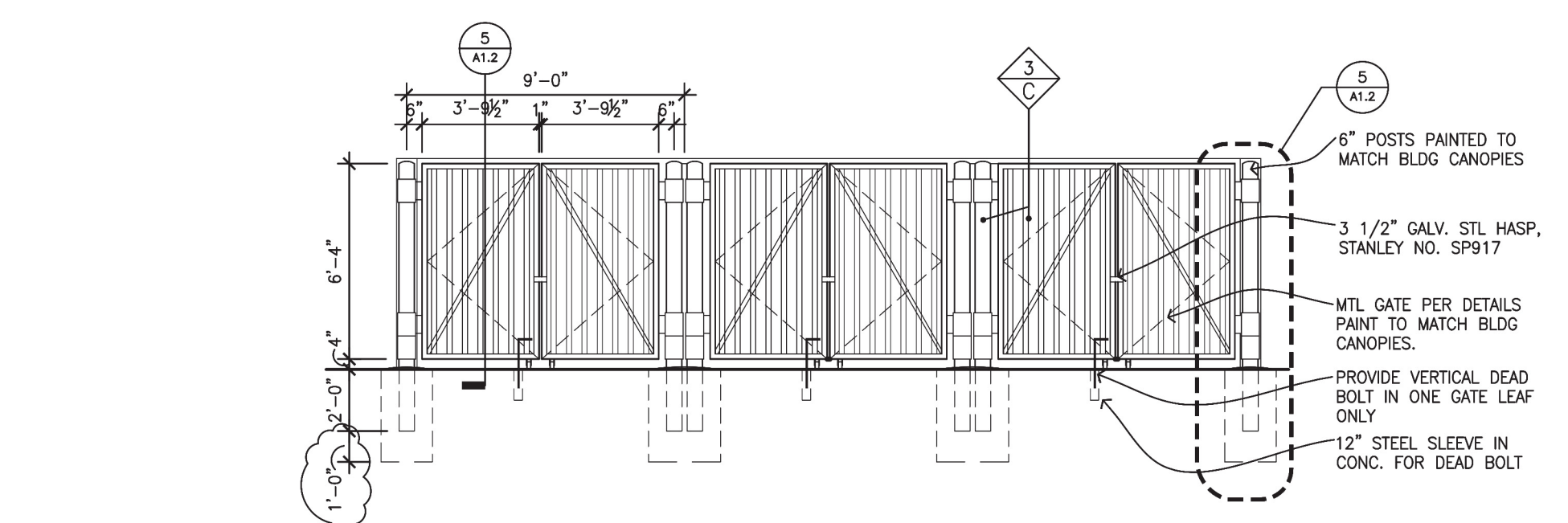
TRASH ENCLOSURE FINISH KEY	
SYMBOL DESIGNATION = ← FINISH ← COLOR	
FINISH	
	ANCHOR BLOCK - ROCKFACED CMU
	ANCHOR BLOCK - SMOOTH FACED CMU
	METAL - PAINTED
COLOR	
	LIMESTONE
	SHERWIN WILLIAMS SW 7723, COLONY BUFF
	SIERRA TAN



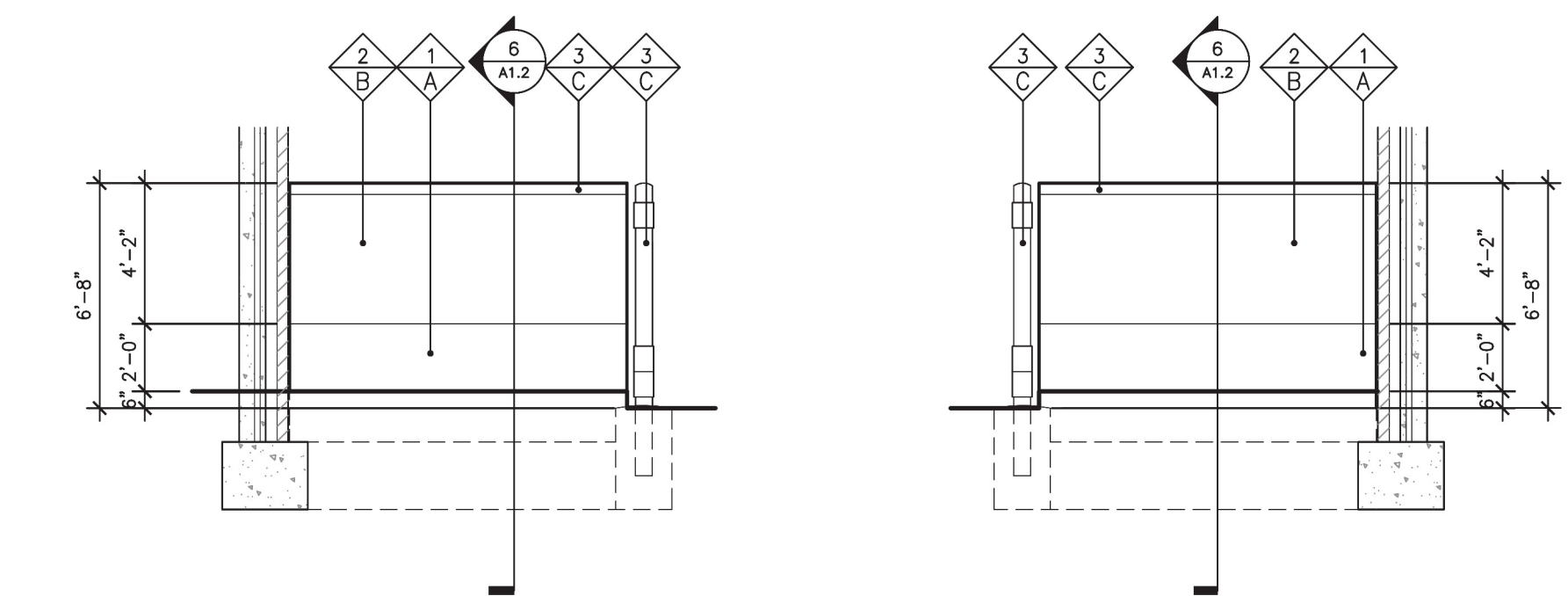
8 STEEL PIPE BOLLARD DETAIL
1/2" = 1'-0"



1 TRASH ENCLOSURE PLAN
1/4" = 1'-0"

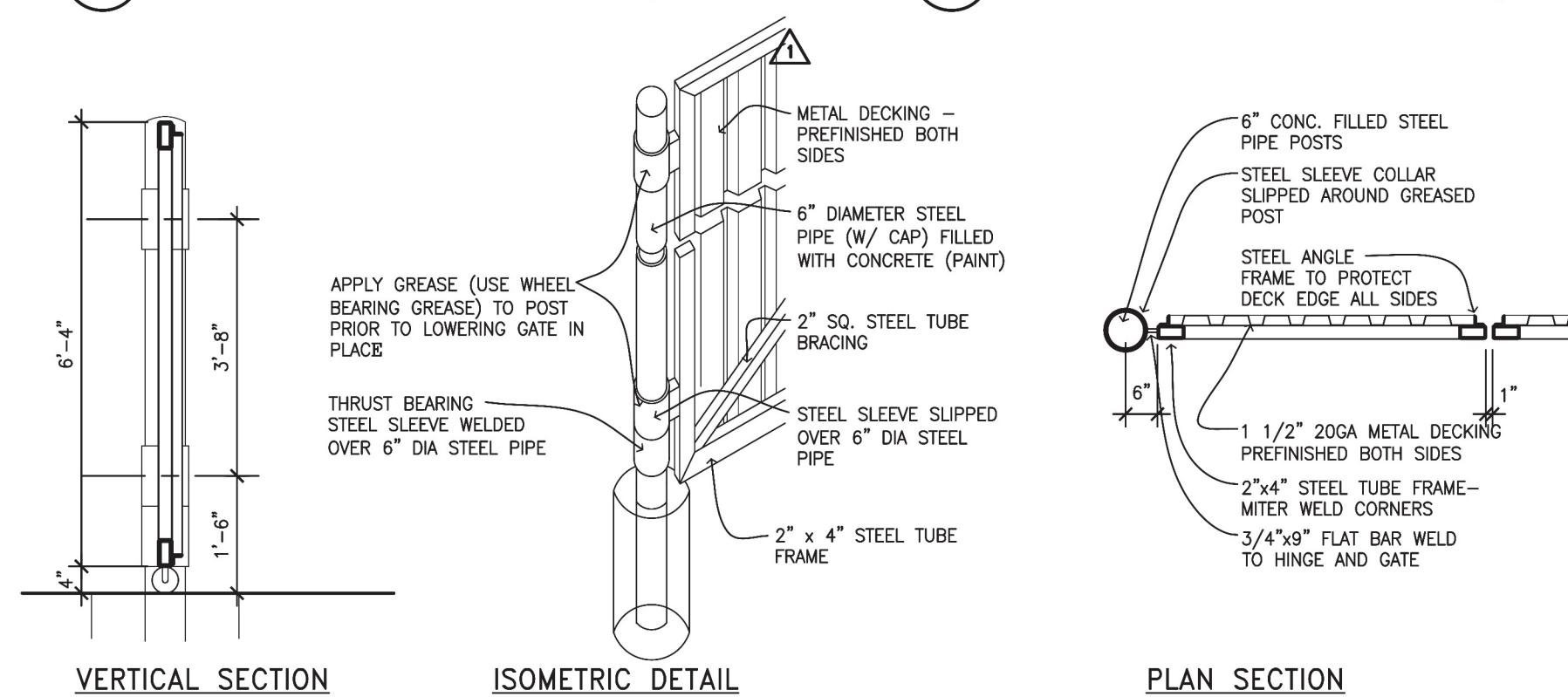


2 ELEVATION @ TRASH ENCLOSURE GATES
1/4" = 1'-0"



4 ELEVATION @ TRASH ENCLOSURE
1/4" = 1'-0"

3 ELEVATION @ TRASH ENCLOSURE
1/4" = 1'-0"



5 GATE DETAILS
N.T.S.