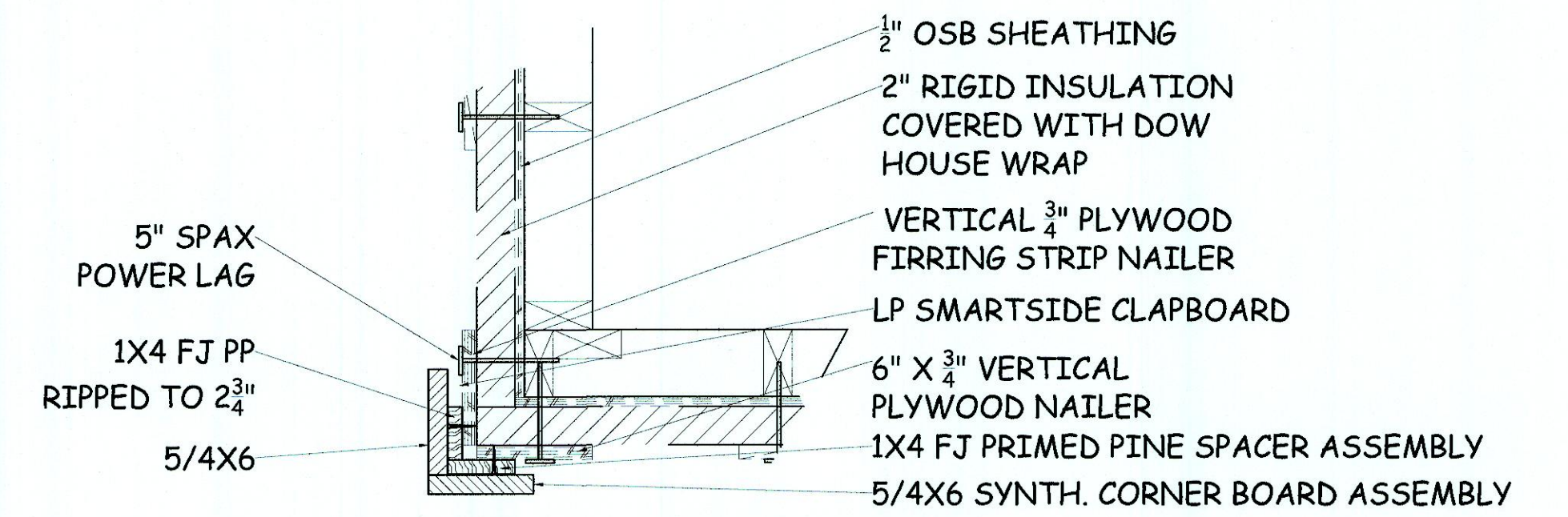


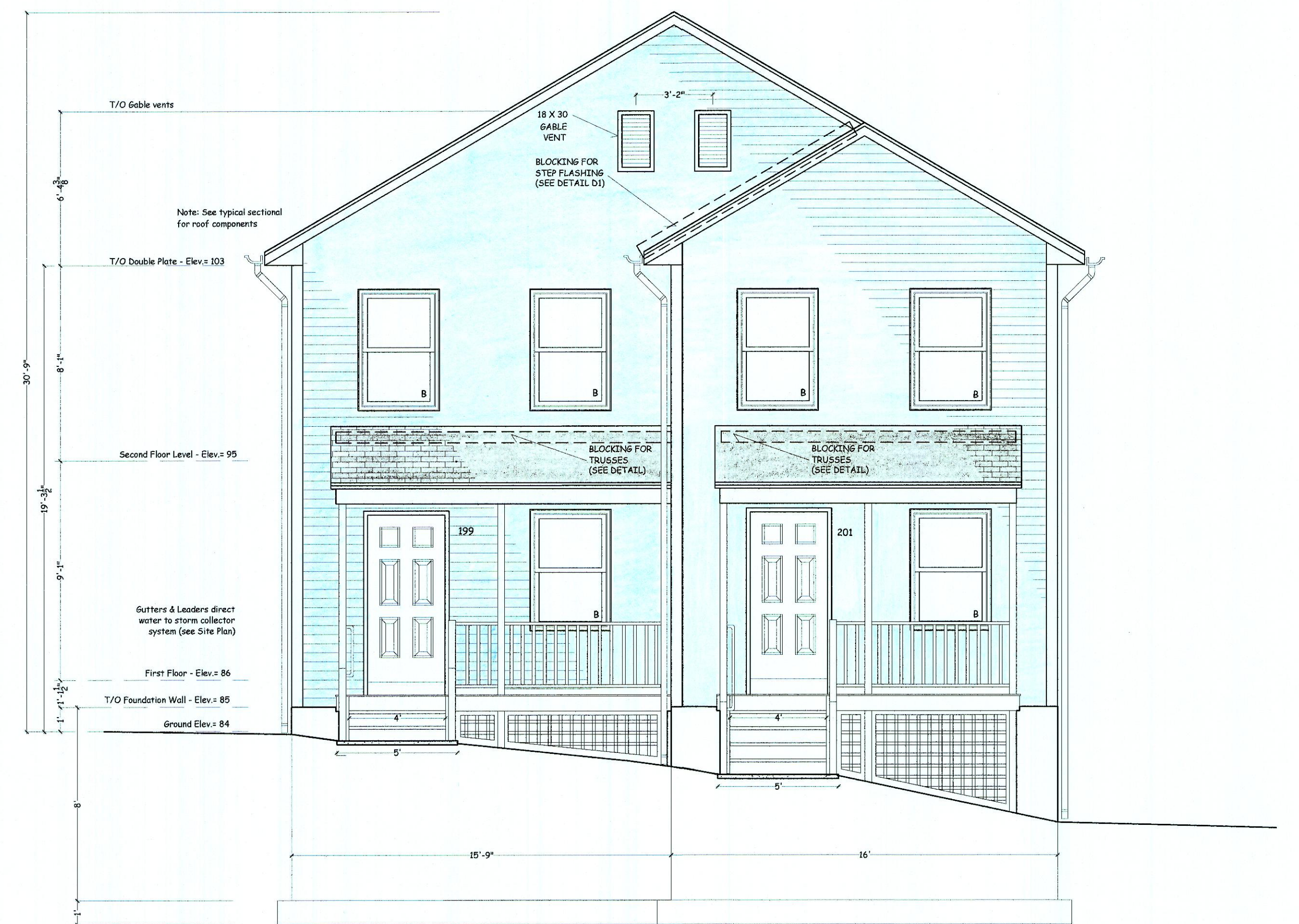
RAKE SOFFIT DETAIL
SCALE: 1/2" = 1'-0"



CORNER BOARD ASSEMBLY DETAIL
SCALE: 1/2" = 1'-0"



LEFT SIDE ELEVATION



FRONT ELEVATION



PROJECT: 199-201 GRANFIELD AVENUE, BRIDGEPORT
Two Family House

Habitat for Humanity of CFC

Drawn & Designed: HFHCF, Construction Division
Maria E. Yrigoyen, M.A.

1542 Barnum Ave., Bridgeport CT 06610
(203)333-2642

www.habitatcfc.org

ELEVATIONS

REVISIONS:

DATE: FEBRUARY 6, 2019

SCALE: 1/4" = 1'-0"

DRAWING No.:

A1.1