

## Scenic Storage

Scenic Storage has been a fixture in Waukesha County for over 20 years. Located just South of Interstate 94 and North of Silvernail Road it has been supplying space for the storage needs of residents, businesses, and contractors.

The site currently has multiple buildings supplying space for small to medium storage needs as well as larger space for RV's etc. There is currently one parcel left that parallels the Interstate which is unbuilt. This is a 2.25 acre site which is currently vacant.

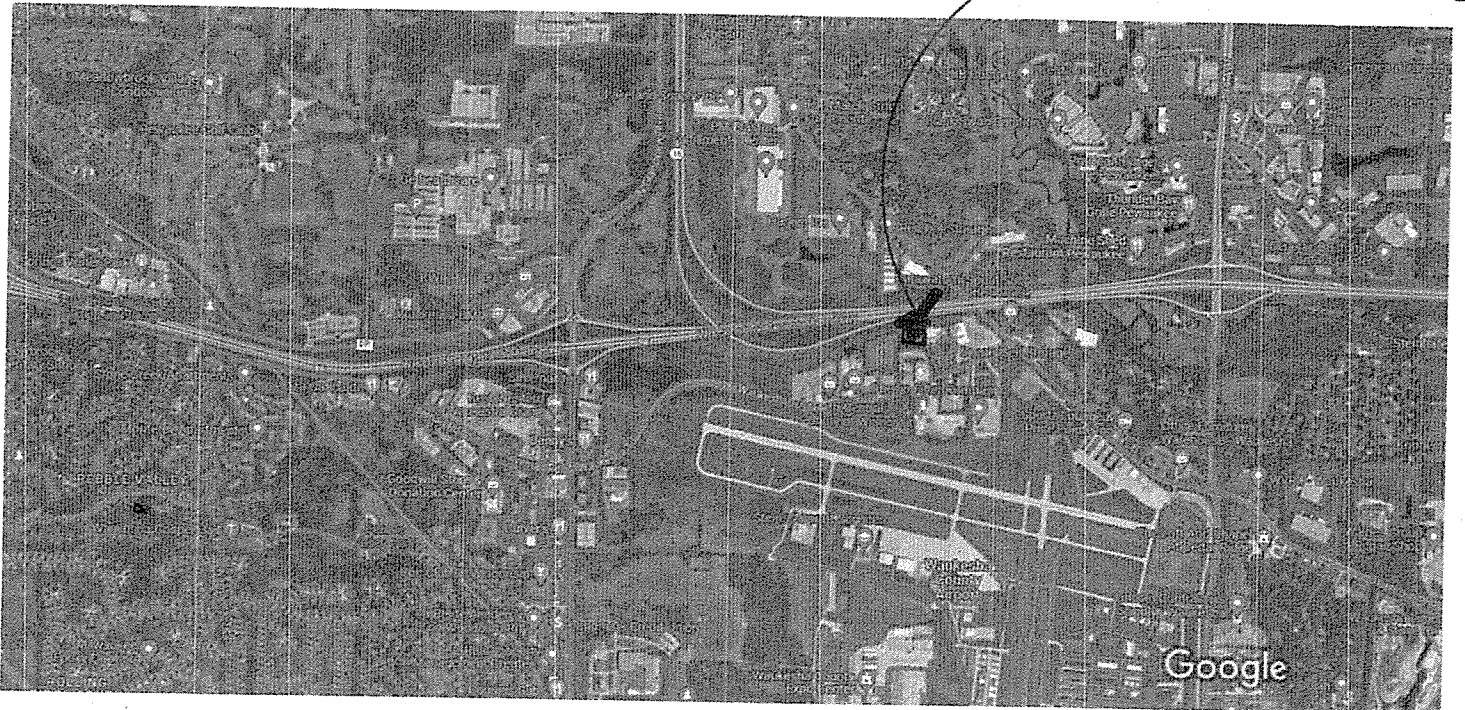
The owner proposes to develop this site with 2 buildings (8,100 sf. and 9,500 sf.) for a total of 17,600 sf. These two structures will be pre-engineered buildings and will be designed to match the other buildings immediately West of this site. Colors of the exterior as well as the exterior materials will match the existing development as well.

Surface parking is available in front of each renters unit and there is hard surface (asphalt) access on all sides of the development.

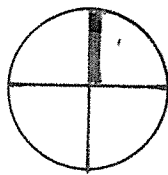
Currently there is a rain garden located on the North side of the development. Our discussions with the Airport has turned up no concerns. The rain garden is designed to hold water a maximum of 24 hours maximum before water seeps into the ground.

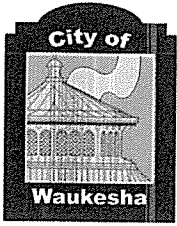
Landscaping will be provided as shown on the Landscape Plan submitted. Additionally there will be lighting to secure the facility after hours designed within City of Waukesha guidelines.

Scenic Storage



Vicinity Map





# City of Waukesha Application for Development Review

Last Revision  
Date:  
Dec. 2019

City of Waukesha Community Development Department - 201 Delafield Street, Suite 200, Waukesha, WI 53188 262-524-3750  
City of Waukesha Department of Public Works Engineering Division—130 Delafield Street, Waukesha, WI 53188 262-524-3600  
www.waukesha-wi.gov

### APPLICANT INFORMATION

Applicant Name: Jeffrey G Panosian  
Applicant Company Name: Scenic Self Storage RE, LLC  
Address: Silvenail Road Tax Key WAKC0951983  
City, State: Waukesha WI Zip: 53072  
Phone: (262)470-4040  
E-Mail: jeffpanosian@gmail.com

### ARCHITECT/ENGINEER/SURVEYOR INFORMATION

Name: RG Keller  
Company Name: Keller Architectural Design, LLC  
Address: W237 S25585 Maple Hill Dr.  
City, State: Waukesha, WI Zip: 53189  
Phone: (414)254-8780  
E-Mail: rgkeller@ymail.com

### PROPERTY OWNER INFORMATION

Applicant Name: Jeffrey G Panosian  
Applicant Company Name: Scenic Self Storage RE, LLC  
Address: 900 Silvermail Road  
City, State: Waukesha, WI Zip: 53072  
Phone: (262)470-4040  
E-Mail: jeffpanosian@gmail.com

### PROJECT & PROPERTY INFORMATION

Project Name: Scenic Self Storage Expansion  
Property Address: Silvermail Road  
Tax Key Number(s): WAKC0951983  
Zoning: B5 Community Business  
Total Acreage: 2.25 Existing Building Square Footage: Existing  
Zero (0)  
Proposed Building/Addition Square Footage: 17,600  
Current Use of Property: Vacant

### PROJECT SUMMARY (Please provide a brief project description.)

Expansion of existing self storage facility.

All submittals require a complete scaled set of digital plans (Adobe PDF) and shall include a project location map showing a 1/2 mile radius, a COLOR landscape plan, COLOR building elevation plans, and exterior lighting photometric maps and cut sheets. A pre-application meeting is required prior to submittal of any applications for Subdivisions, Planned Unit Developments, and Site and Architectural Plan Review. **The deadline for all applications requiring Plan Commission Reviews is Monday at 4:00 P.M,**

### APPLICATION ACKNOWLEDGEMENT AND SIGNATURES

~~30 days prior to the meeting date. The Plan Commission meets the Fourth Wednesday of each month.~~  
I hereby certify that I have reviewed the City of Waukesha Development Handbook, City Ordinances, Submittal Requirements and Checklists and have provided one PDF of all required information. Any missing or incomplete information may result in a delay of the review of your application. By signing this I also authorize The City of Waukesha or its agents to enter upon the property for the purpose of reviewing this application.

Applicant Signature

### For Internal Use Only:

Amount Due (total from page 2): \_\_\_\_\_ Amount Paid: \_\_\_\_\_ Check #: \_\_\_\_\_  
Trakit ID(s) \_\_\_\_\_ Date Paid: \_\_\_\_\_

## City of Waukesha Application for Development Review

**TYPE OF APPLICATION & FEES (CHECK ALL THAT APPLY)** Please note that each application type has different submittal requirements. Detailed submittal checklists can be found in Appendix A of the Development Handbook.

**FEES**

- Plan Commission Consultation **\$200** \_\_\_\_\_
- Traffic Impact Analysis \_\_\_\_\_
  - Commercial, Industrial, Institutional, and Other Non-Residential **\$480**
  - Residential Subdivision or Multi-Family **\$480**
  - Resubmittal (3rd and all subsequent submittals) **\$480**
- ONE OF THE THREE FOLLOWING ITEMS IS REQUIRED FOR SITE PLAN & ARCHITECTURAL REVIEWS (\*):**
- \*  **Preliminary Site Plan & Architectural Review** \_\_\_\_\_
  - Level 1: Buildings/additions less than 10,000 sq.ft. or sites less than 1 acre **\$2,200**
  - Level 2: Buildings/additions between 10,001-50,000 sq.ft. or sites between 1.01 and 10 acres **\$2,320**
  - Level 3: Buildings/additions between 50,001-100,000 sq.ft. or sites between 10.01 and 25 acres **\$2,440**
  - Level 4: Buildings/additions over 100,001 sq.ft. or sites greater than 25.01 acres. **\$2,560**
  - Resubmittal Fees (after 2 permitted reviews) **\$750**
- \*  **Final Site Plan & Architectural Review** \_\_\_\_\_
  - Level 1: Buildings/additions less than 10,000 sq.ft. or sites less than 1 acre **\$1,320**
  - Level 2: Buildings/additions between 10,001-50,000 sq.ft. or sites between 1.01 and 10 acres **\$1,440**
  - Level 3: Buildings/additions between 50,001-100,000 sq.ft. or sites between 10.01 and 25 acres **\$1,560**
  - Level 4: Buildings/additions over 100,001 sq.ft. or sites greater than 25.01 acres. **\$1,680**
  - Resubmittal Fees (3rd and all subsequent submittals) **\$750**
- \*  **Minor Site Plan & Architectural Review (total site disturbance UNDER 3,000 total square feet)** \_\_\_\_\_
  - Projects that do not require site development plans **\$330**
  - Resubmittal Fees (3rd and all subsequent submittals) **\$330**
- Certified Survey Map (CSM) \_\_\_\_\_
  - 1-3 Lots **\$500**
  - 4 lots or more **\$560**
  - Resubmittal (3rd and all subsequent submittals) **\$180**
  - Extra-territorial CSM **\$260**
- Preliminary Subdivision Plat (Preliminary Site Plan Review is also required.) \_\_\_\_\_
  - Up to 12 lots **\$1,270**
  - 13 to 32 lots **\$1,390**
  - 36 lots or more **\$1,510**
  - Resubmittal (3rd and all subsequent submittals) **\$630**
- Final Subdivision Plat (Final Site Plan Review is also required.) \_\_\_\_\_
  - Up to 12 lots **\$660**
  - 13 to 32 lots **\$780**
  - 36 lots or more **\$900**
  - Resubmittal (3rd and all subsequent submittals) **\$480**
  - Extra-territorial Plat **\$540**
- Rezoning and/or Land Use Plan Amendment \_\_\_\_\_
  - Rezoning **\$630**
  - Land Use Plan Amendment: **\$630**
- Conditional Use Permit \_\_\_\_\_
  - Conditional Use Permit with no site plan changes **\$480**
  - Conditional Use Permit with site plan changes **\$480** plus applicable preliminary and final site plan fees above
- Planned Unit Development or Developer's Agreement (Site Plan Review is also required) \_\_\_\_\_
  - New Planned Unit Development or Developer's Agreement **\$1,760**
  - Planned Unit Development or Developer's Agreement Amendment **\$610**
- Annexation **NO CHARGE**
- House/Building Move **\$150**
- Street or Alley Vacations **\$150**

**TOTAL APPLICATION FEES:**

# City of Waukesha

## Development Review Submittal Requirements

### PLAN COMMISSION CONSULTATION SUBMITTAL REQUIREMENTS AND ADDITIONAL INFORMATION

A Plan Commission Consultation may be submitted for review and comment for the owner/developer to ascertain the feasibility of a proposed project. A consultation is not required but may be submitted in advance of an actual submittal for a preliminary plat, CSM, Planned Unit Development, rezoning, conditional use or site plan. The Plan Commission will only provide feedback, no approvals will be given. Prior to applying for a Plan Commission Consultation you must discuss your project with the Planning Division to determine if a Plan Commission Consultation is recommended.

**Review Time:** Approximately 30 days

**Reviewing Departments:** Community Development Planning Division, Public Works Engineering Division, Fire Department, Water Utility.

**Reviewing Boards:** Plan Commission (optional)

**In addition to this application and corresponding application fee you will also need:**

- One (1) digital (PDF) copy of the plans you want conceptual review of
- Attachment A: Development Review Checklist. You should also review all other corresponding checklists that relate to the project that you are seeking conceptual review of and include as much information as possible.
- Cover letter outlining project details.

### TRAFFIC IMPACT ANALYSIS SUBMITTAL REQUIREMENTS AND ADDITIONAL INFORMATION

A Traffic Impact Analysis is required for projects that meet certain criteria. Please refer to the Developer's Handbook Section 4.4 to determine if your project requires a Traffic Impact Analysis

**Review Time:** Approximately 30 days

**Reviewing Departments:** Public Works Engineering Division

**Reviewing Boards:** None, however the Plan Commission may require a copy as part of site plan review process.

**In addition to this application and corresponding application fee you will also need:**

- One (1) digital (PDF) copy of the Traffic Impact Analysis

### PRELIMINARY SITE PLAN & ARCHITECTURAL REVIEW SUBMITTAL REQUIREMENTS AND ADDITIONAL INFORMATION

Preliminary site and architectural plans are required for any new residential development with 4 or more units and all non-residential developments. Preliminary site plan approval is also required for additions or modifications to existing developments and projects where a stormwater management plan is needed. Preliminary approval is required unless it is determined by City staff in the Pre-Application meeting that the project only needs Final Site and Architectural Review.

**Review Time:** Approximately 30 days (45 if Common Council review is needed)

**Reviewing Departments:** Community Development Planning Division, Public Works Engineering Division, Fire Department, Water Utility.

**Reviewing Boards:** Plan Commission. Common Council and Board of Public Works review may be required for certain projects.

**In addition to this application and corresponding application fee you will also need:**

- One (1) digital (PDF) that includes of items listed below
  - Cover letter outlining project details.
  - Color architectural elevations of all sides of the building and color perspective renderings
  - Conceptual Landscape Plan
  - Attachment A: Development Review Checklist
  - Site Plan (see Attachment B: Engineering Plan Checklist)
  - Grading Plan (see Attachment C: Site Grading and Drainage Plan Checklist)
  - Stormwater Management Plan (see Attachment D: Stormwater Management Plan Checklist)
  - Utility Plans (see Attachment H: Sewer Plan Review Checklist)
  - Any other attachments as applicable.

### **FINAL SITE PLAN & ARCHITECTURAL REVIEW PLAN SUBMITTAL REQUIREMENTS AND ADDITIONAL INFORMATION**

Final site and architectural plans are submitted only after the Plan Commission has approved Preliminary Site Plans for any new residential development with 4 or more units and all non-residential developments, including modifications to existing developments. Some projects may bypass Preliminary approval but only if it is determined by City staff in the Pre-Application meeting.

**Review Time:** Approximately 30 days (45 if Common Council review is needed)

**Reviewing Departments:** Community Development Planning Division, Public Works Engineering Division, Fire Department, Water Utility.

**Reviewing Boards:** Plan Commission. Common Council and Board of Public Works review may be required for certain projects.

**In addition to this application and corresponding application fee you will also need:**

- One (1) digital (PDF) that includes of items listed below
  - Cover letter outlining project details.
  - Color architectural elevations of all sides of the building and color perspective renderings
  - Landscape Plan (see Attachment I: Landscape Plan Checklist)
  - Attachment A: Development Review Checklist
  - Site Plan (see Attachment B: Engineering Plan Checklist)
  - Grading Plan (see Attachment C: Site Grading and Drainage Plan Checklist)
  - Stormwater Management Plan (see Attachment D: Stormwater Management Plan Checklist)
  - Utility Plans (see Attachment H: Sewer Plan Review Checklist)

### **MINOR SITE PLAN & ARCHITECTURAL REVIEW SUBMITTAL REQUIREMENTS AND ADDITIONAL INFORMATION**

Minor Site and Architectural review is intended for projects that may not need the extensive submittal requirements for Preliminary and Final Site Plan approval. Projects that qualify for Minor Site Plan submittal may include landscape, façade and building changes or minor site modifications that don't result in the addition of impervious surface.

**Review Time:** Approximately 30 days (45 if Common Council review is needed)

**Reviewing Departments:** Community Development Planning Division, Public Works Engineering Division, Fire Department, Water Utility.

**Reviewing Boards:** Plan Commission. Common Council and Board of Public Works review may be required for certain projects.

**In addition to this application and corresponding application fee you will also need:**

- One (1) digital (PDF) that includes of items listed below
  - Cover letter outlining project details.
  - Architectural elevations of all sides of the building being modified
- In addition, depending on the type of project, you may also need the following items:
  - Site Plan (see Attachment B: Engineering Plan Checklist)
  - Landscape Plan (see Attachment I: Landscape Plan Checklist)

### **CERTIFIED SURVEY MAP SUBMITTAL REQUIREMENTS AND ADDITIONAL INFORMATION**

A Certified Survey Map may be used to divide up to eight (8) lots in Commercial, Industrial, and Mixed Use zoning districts and up to four (4) lots in all other zoning districts.

**Review Time:** Approximately 45-60 days. An extension letter will be required if the approval process will take more than 90 days.

**Reviewing Departments:** Community Development Planning Division, Public Works Engineering Division, Fire Department, Water Utility.

**Reviewing Boards:** Plan Commission. Common Council and Board of Public Works review may be required for certain projects.

**In addition to this application and corresponding application fee you will also need:**

- One (1) digital (PDF) that includes of items listed below
  - Attachment E: Certified Survey Map Checklist
  - Attachment A: Development Review Checklist and other attachments as applicable.

*\*Please note If any exterior architectural, landscape, or site plan changes are required you must also go through Site Plan Review and meet all of those submittal requirements.*

### **PRELIMINARY PLAT SUBMITTAL REQUIREMENTS AND ADDITIONAL INFORMATION**

A Preliminary Plat shall be used to subdivide land in the City. The applicant is responsible for submitting the Preliminary Plat to Waukesha County and the State of Wisconsin for review.

**Review Time:** Approximately 45-60 days. An extension letter will be required if the approval process will take more than 90 days.

**Reviewing Departments:** Community Development Planning Division, Public Works Engineering Division, Fire Department, Water Utility.

**Reviewing Boards:** Plan Commission. Common Council and Board of Public Works review may be required for certain projects.

**In addition to this application and corresponding application fee you will also need:**

- One (1) digital (PDF) that includes of items listed below
  - Attachment F: Preliminary Plat Checklist
  - Cover letter outlining project details.
  - Attachment A: Development Review Checklist and other attachments as applicable
  - Stormwater Management Plan (see Attachment D: Stormwater Management Plan Checklist)

### **FINAL PLAT SUBMITTAL REQUIREMENTS AND ADDITIONAL INFORMATION**

A Final plat shall be used to subdivide land in the City. The applicant is responsible for submitting the Final Plat to Waukesha County and the State of Wisconsin for review.

**Review Time:** Approximately 45-60 days. An extension letter will be required if the approval process will take more than 90 days.

**Reviewing Departments:** Community Development Planning Division, Public Works Engineering Division, Fire Department, Water Utility.

**Reviewing Boards:** Plan Commission. Common Council and Board of Public Works review may be required for certain projects.

**In addition to this application and corresponding application fee you will also need:**

- One (1) digital (PDF) that includes of items listed below
  - Attachment G: Final Plat Checklist
  - Cover letter outlining project details.
  - Attachment A: Development Review Checklist and other attachments as applicable.
  - Stormwater Management Plan (see Attachment D: Stormwater Management Plan Checklist)

### **REZONING & COMPREHENSIVE PLAN AMENDMENT SUBMITTAL REQUIREMENTS AND ADDITIONAL INFORMATION**

This review is for any requests to rezone land or amend the City's Comprehensive Master Plan. For rezonings all property owners within 300 feet of the property will be notified of your request.

**Review Time:** 45-60 Days

**Reviewing Departments:** Community Development Planning & Building Inspection Divisions, Public Works Engineering Division, Fire Department, Water Utility.

**Reviewing Boards:** Plan Commission, Common Council

**Additional Information:** Rezonings must be done in accordance with the Comprehensive Plan. Please consult with Planning staff to determine if a Comprehensive Plan Amendment is also required prior to submitting a rezoning application.

**In addition to this application and corresponding application fee you will also need:**

- One (1) digital (PDF) that includes of items listed below
  - Cover letter outlining project details and rationale for rezoning
  - Rezoning Form including legal description and notarized owner(s) signatures (rezoning applications only)
  - Conceptual Plan (if applicable)

*\*Please note this application fee only covers the rezoning and/or Comprehensive Plan Amendment. If you are proposing site plan changes or are subdividing land you will also need to meet the applicable submittal requirements for those proposals.*

### CONDITIONAL USE PERMIT SUBMITTAL REQUIREMENTS AND ADDITIONAL INFORMATION

Any use listed as a Conditional Use in Chapter 22 (Zoning Code) requires a Public Hearing in front of the Plan Commission prior to building or occupancy permits being issued. All property owners within 300 feet of the property will be notified of your request.

**Review Time:** 30-45 days

**Reviewing Departments:** Community Development Planning & Building Inspection Divisions, Public Works Engineering Division, Fire Department, Water Utility.

**Reviewing Boards:** Plan Commission

**In addition to this application and corresponding application fee you will also need:**

- One (1) digital (PDF) that includes of items listed below
  - Conditional Use Permit Application

*\*Please note If any exterior architectural, landscape, or site plan changes are required you must also go through Site Plan Review and meet all of those submittal requirements.*

### PLANNED UNIT DEVELOPMENT OR DEVELOPER'S AGREEMENT SUBMITTAL REQUIREMENTS AND ADDITIONAL INFORMATION

The PUD Overlay District is intended to permit development that will, over a period of time, be enhanced by coordinated area site planning, diversified location of structures, diversified building heights and types, and/or mixing of compatible uses. The PUD Overlay District under this Chapter will allow for flexibility of overall development design with benefits from such design flexibility intended to be derived by both the developer and the community, while at the same time maintaining insofar as possible the standards or use requirements set forth in the underlying basic zoning district.

Developer's Agreements are used for any project that require public infrastructure improvements (sewer, storm sewer, sidewalks, etc) and other off-site improvements such as median openings, traffic signals, street widening, etc..

**Review Time:** 45-60 days

**Reviewing Departments:** Community Development Planning & Building Inspection Divisions, Public Works Engineering Division, Fire Department, Water Utility.

**Reviewing Boards:** Plan Commission, Common Council. Some projects will also require Board of Public Works review.

**In addition to this application and corresponding application fee you will also need:**

- One (1) digital (PDF) that includes of items listed below
  - Cover letter/statement that outlining project details and all of the required information set forth in the Zoning Ordinance Section 22.52 (4)(a)
  - Rezoning Form including legal description and notarized owner(s) signatures (rezoning applications only)
  - General Development Plan
  - Proposed Supplemental Design Elements (required for all PUDs under the minimum required acreage)

*\*Please note in addition to the PUD submittal requirements your project will also need additional application fees and submittal materials based on the project type. This may include Preliminary and Final Plats, Preliminary and Final Site and Architectural Plans, Certified Survey Maps, Traffic Impact Analysis. Staff will inform you of any additional submittal requirements at the Pre-Application meeting, which is required prior to submitting your application.*

### ANNEXATION SUBMITTAL REQUIREMENTS AND ADDITIONAL INFORMATION

Requests for annexation as permitted under Section 66.0217 Wisconsin Statutes.

**Review Time:** 45-60 days

**Reviewing Departments:** Community Development Planning & Building Inspection Divisions, Public Works Engineering Division, Fire Department, Water Utility.

**Reviewing Boards:** Plan Commission, Common Council

**In addition to this application and corresponding application fee you will also need:**

- One (1) digital (PDF) that includes of items listed below
  - Copy of your State of Wisconsin Request for Annexation Review Application
  - Signed City of Waukesha Direct Annexation Petition
  - Map of property of property to be annexed.
  - A boundary description (legal description of property to be annexed)
  - Any additional information on the annexation.



### **HOUSE/BUILDING MOVE SUBMITTAL REQUIREMENTS AND ADDITIONAL INFORMATION**

Any application to move a home or building from one location to another in the City requires review by staff and the Plan Commission.

**Review Time:** 30-45 days

**Reviewing Departments:** Community Development Planning & Building Inspection Divisions, Public Works Engineering Division, Fire Department, Water Utility, Police Department, Any affected Public Utilities

**Reviewing Boards:** Plan Commission

**In addition to this application and corresponding application fee you will also need:**

- One (1) digital (PDF) that includes of items listed below
  - Address of existing structure and address of final destination for structure
  - Site Plan showing location of house/building at the new location
  - Proposed route for moving structure. Should also include any overhead wires, mailboxes, or other obstructions that will need to be temporarily relocated to allow for the house/building to get to the new site.

### **STREET VACATIONS**

Street Vacations must be reviewed and approved by the Plan Commission.

**Review Time:** 45-60 days

**Reviewing Departments:** Community Development Planning & Building Inspection Divisions, Public Works Engineering Division, Fire Department, Water Utility.

**Reviewing Boards:** Plan Commission, Common Council

**In addition to this application and corresponding application fee you will also need:**

- One (1) digital (PDF) that includes a map and legal description of the areas to be vacated.



CITY OF WAUKESHA
DEPARTMENT OF COMMUNITY DEVELOPMENT

City Hall, 201 Delafield Street, Room 200

Waukesha, WI 53188

Phone (262) 524-3750 Fax (262) 524-3751

CONDITIONAL USE PERMIT APPLICATION

This application must accompany a Plan Commission Application along with the required fee.

The Plan Commission may not make a decision on this request if the property owner is not present at the meeting.

DATE: 30 MAY 2023

[X] NEW APPLICATION

[ ] AMENDMENT TO EXISTING CONDITIONAL USE PERMIT

NAME OF PROJECT OR BUSINESS: Scenic Storage

LOCATION OF USE:

TYPE OF USE: Storage Units

Is this a NEW use or is this use being relocated from somewhere else? YES

If you are relocating a use, where are you relocating it from? No

Do you operate a use in other locations? ? (Circle one) YES NO

If yes, please explain: Facility in Madison, Village of Waukesha

Will the use be occupying an existing building or will you be building a new building? EXISTING NEW

Hours and days of operation:

Number of Employees:

Number of on-site parking stalls available: Non-surface area available in front of units

Length of permit requested (6 month, 1 year, 2 year, permanent):

Current zoning: B-S

Is a License required to operate this use? (Circle one) YES NO If yes, please attach a copy.

Name of licensing authority:

Will any hazardous materials be used? No

The following information must be attached to process the permit:

- [ ] A site map showing the location of the proposed site.
[ ] A site plan showing the location of building(s), parking, landscaping, etc.
[ ] A floor plan of the building showing how it will be used for the proposed use.
[ ] If an existing building, a photo of the building.
[ ] If new, complete development plans must be submitted per the development guidelines.
[ ] If facade changes are proposed, plans must be submitted showing changes.
[ ] A business plan if there is one; otherwise answer the questions on the back.

Please Note: If approved, this permit will be issued to the applicant only and will not be transferrable. This application will become null and void if required fees and materials are not submitted at time of application. Any physical changes made to the building may require the installation of additional fire protection systems. Please contact the Fire Marshal for further discussion.

Please attach a copy of your Business Plan if you have one.

If you do not have written Business Plan or choose not to share it, please answer the following questions:

1. What business will you be in? self storage  
\_\_\_\_\_  
\_\_\_\_\_
2. Explain your business' daily operations. 24 hr. operation secured by gate & private locks on units  
\_\_\_\_\_  
\_\_\_\_\_
3. How will business be managed on a daily basis? on-site mng. during business hours -  
\_\_\_\_\_  
\_\_\_\_\_
4. What are your products or services? storage for individuals & businesses  
\_\_\_\_\_  
\_\_\_\_\_
5. Will your employees need additional parking? no  
\_\_\_\_\_
6. Are employees required to have any certification(s)? no.  
\_\_\_\_\_
7. Who is the owner of the building or premises where your business will be conducted?  
Scenic Storage  
\_\_\_\_\_
8. If you are not owner of the building or premises where your business will be conducted, do you have a lease agreement with the owner? \_\_\_\_\_
9. Are there any insurance requirements for your business? \_\_\_\_\_
10. Will you have property insurance? \_\_\_\_\_
11. Are there any noise considerations/concerns with your business operations? \_\_\_\_\_  
\_\_\_\_\_  
\_\_\_\_\_

## Scenic Storage

Scenic Storage has been a fixture in Waukesha County for over 20 years. Located just South of Interstate 94 and North of Silvernail Road it has been supplying space for the storage needs of residents, businesses, and contractors.

The site currently has multiple buildings supplying space for small to medium storage needs as well as larger space for RV's etc. There is currently one parcel left that parallels the Interstate which is unbuilt. This is a 2.25 acre site which is currently vacant.

The owner proposes to develop this site with 2 buildings (8,100 sf. and 9,500 sf.) for a total of 17,600 sf. These two structures will be pre-engineered buildings and will be designed to match the other buildings immediately West of this site. Colors of the exterior as well as the exterior materials will match the existing development as well.

Surface parking is available in front of each renters unit and there is hard surface (asphalt) access on all sides of the development.

Currently there is a rain garden located on the North side of the development. Our discussions with the Airport has turned up no concerns. The rain garden is designed to hold water a maximum of 24 hours maximum before water seeps into the ground.

Landscaping will be provided as shown on the Landscape Plan submitted. Additionally there will be lighting to secure the facility after hours designed within City of Waukesha guidelines.



BUILDING A WEST ELEVATION RENDERING



BUILDING A EAST ELEVATION RENDERING



BUILDING B WEST ELEVATION RENDERING



BUILDING B SOUTHEAST ELEVATION RENDERING

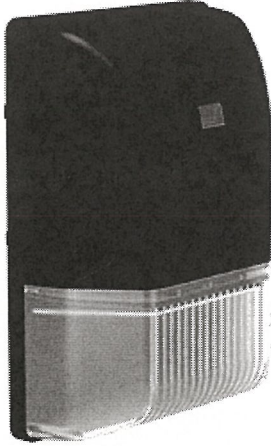




NORTH ELEVATION DAY RENDERING



NORTH ELEVATION NIGHT RENDERING



Color: Bronze

Weight: 2.3 lbs

Project:

Type:

Prepared By:

Date:

**Driver Info**

Type	Constant Current
120V	0.20A
208V	0.10A
240V	0.08A
277V	0.07A
Input Watts	19.3/19.9/19.7W

**LED Info**

Watts	20W
Color Temp	3000K/4000K/5000K
Color Accuracy	80 CRI
L70 Lifespan	100,000 Hours
Lumens	2600/2921/2703
Efficacy	134.7/146.9/137.2 lm/W

**Technical Specifications****Field Adjustability****Field Adjustable:**

Color temperature selectable by 3000K, 4000K and 5000K

**Compliance****UL Listed:**

Suitable for wet locations

**IESNA LM-79 & LM-80 Testing:**

RAB LED luminaires and LED components have been tested by an independent laboratory in accordance with IESNA LM-79 and LM-80.

**DLC Listed:**

This product is listed by Design Lights Consortium (DLC) as an ultra-efficient premium product that qualifies for the highest tier of rebates from DLC Member Utilities. Designed to meet DLC 5.1 requirements.

DLC Product Code: PLLMBSHJ6UX

**Performance****Lifespan:**

100,000-Hour LED lifespan based on IES LM-80 results and TM-21 calculations

**LED Characteristics****LEDs:**

Long-life, high-efficiency, surface-mount LEDs

**Color Uniformity:**

RAB's range of Correlated Color Temperature follows the guidelines of the American National Standard for Specifications for the Chromaticity of Solid State Lighting (SSL) Products, ANSI C78.377-2017.

**Electrical****Driver:**

Constant Current, Class 2, 120-277V, 50/60 Hz, 120V: 0.20A, 208V: 0.10A, 240V: 0.08A, 277V: 0.07A

**Dimming Driver:**

Driver includes dimming control wiring for 0-10V dimming systems. Requires separate 0-10V DC dimming circuit. Dims down to 10%.

**Photocell:**

120-277V Discreet, integrated button photocell included. Photocell is compatible with 120V-277V.

**Construction****IP Rating:**

Ingress protection rating of IP65 for dust and water

**Cold Weather Starting:**

Minimum starting temperature is -40°C (-40°F)

**Ambient Temperature:**

Suitable for use in up to 45°C (113°F)

**Housing:**

Precision die-cast aluminum

**Technical Specifications (continued)**

**Construction**

**Mounting:**

Heavy duty, die-cast junction box with four (4) conduit entries (one top, two side, one back)

**Finish:**

Formulated for high durability and long-lasting color

**Green Technology:**

Mercury and UV free. RoHS-compliant components.

**Other**

**5 Yr Limited Warranty:**

The RAB 5-year, limited warranty covers light output, driver performance and paint finish. RAB's warranty is subject to all terms and conditions found at [rablighting.com/warranty](http://rablighting.com/warranty).

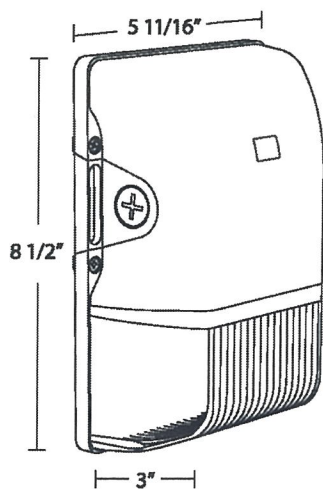
**Equivalency:**

Equivalent to 100W Metal Halide

**Buy American Act Compliance:**

RAB values USA manufacturing! Upon request, RAB may be able to manufacture this product to be compliant with the Buy American Act (BAA). Please contact customer service to request a quote for the product to be made BAA compliant.

**Dimensions**

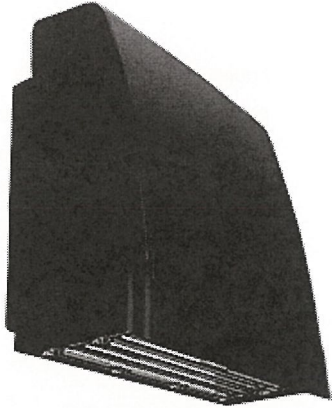


**Features**

- DLC Premium listed
- IP65 Rated
- 100,000-Hour LED lifespan
- 5-Year, Limited Warranty

**Ordering Matrix**

Family	Wattage
BRISK17FA	20
	20 = 20W



Color: Bronze

Weight: 3.0 lbs

Project:

Type:

Prepared By:

Date:

**Driver Info**

Type	Constant Current
120V	0.25A
208V	0.20A
240V	0.15A
277V	0.12A
Input Watts	29.4/28.4/29.7W

**LED Info**

Watts	30W
Color Temp	3000K/4000K/5000K
Color Accuracy	70 CRI
L70 Lifespan	100,000 Hours
Lumens	3540/3813/3768
Efficacy	120.5/134.1/127 lm/W

**Technical Specifications**

**Field Adjustability**

**Field Adjustable:**

Color temperature selectable by 3000K, 4000K and 5000K

**Compliance**

**UL Listed:**

Suitable for wet locations

**IESNA LM-79 & IESNA LM-80 Testing:**

RAB LED luminaires and LED components have been tested by an independent laboratory in accordance with IESNA LM-79 and LM-80.

**DLC Listed:**

This product is listed by Design Lights Consortium (DLC) as an ultra-efficient premium product that qualifies for the highest tier of rebates from DLC Member Utilities. Designed to meet DLC 5.1 requirements.

DLC Product Code: PL8HS37YLUB0

**Performance**

**Lifespan:**

100,000-Hour LED lifespan based on IES LM-80 results and TM-21 calculations

**LED Characteristics**

**LEDs:**

Long-life, high-efficiency, surface-mount LEDs

**Electrical**

**Driver:**

Constant Current, Class 2, 120-277V, 50/60 Hz, 120V: 0.25A, 208V: 0.20A, 240V: 0.15A, 277V: 0.12A

**Dimming Driver:**

Driver includes dimming control wiring for 0-10V dimming systems. Requires separate 0-10V DC dimming circuit. Dims down to 10%.

**Photocell:**

120-277V Integrated button photocell included.

**Note:**

All values are typical (tolerance +/- 10%)

**Construction**

**IP Rating:**

Ingress protection rating of IP65 for dust and water

**Cold Weather Starting:**

Minimum starting temperature is -40°C (-40°F)

**Maximum Ambient Temperature:**

Suitable for use in up to 50°C (122°F)

**Housing:**

Precision die-cast aluminum housing and door frame

**Technical Specifications (continued)**

**Construction**

**Lens:**

Polycarbonate lens

**Mounting:**

Hinged wiring access and conduit entries on the back, sides, top and bottom make installation a snap

**Cut Off:**

Adjustable from 0° (full cutoff) to 90°. 7 settings at 15° each.

**Finish:**

Formulated for high durability and long-lasting color

**Green Technology:**

Mercury and UV free. RoHS-compliant components.

**Other**

**5 Yr Limited Warranty:**

The RAB 5-year, limited warranty covers light output, driver performance and paint finish. RAB's warranty is subject to all terms and conditions found at [rablighting.com/warranty](http://rablighting.com/warranty).

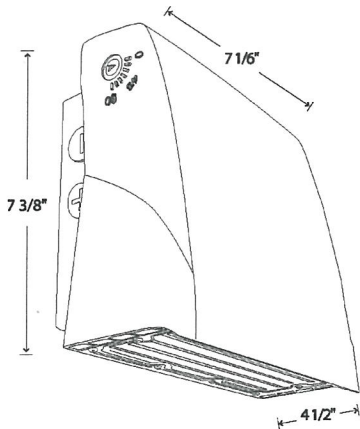
**Equivalency:**

Equivalent to 175W Metal Halide

**Buy American Act Compliance:**

RAB values USA manufacturing! Upon request, RAB may be able to manufacture this product to be compliant with the Buy American Act (BAA). Please contact customer service to request a quote for the product to be made BAA compliant.

**Dimensions**



**Features**

- Selectable CCT
- Adjustable cutoff
- Integrated photocell
- 0-10V dimming standard

**Ordering Matrix**

Family	Wattage	Style
SLIM17FA	30	ADJ
	15 = 15W 30 = 30W	ADJ = Angle Adjustable

### SITE INFORMATION

USDA PLANT HARDINESS ZONE	5a (-20 to -15 Degrees F)
LOT ZONING	B-5 - Community Business
LOT AREA	84,234 SQ. FT. (1.93 Acres)
SITE BUILDING AREA	17,500 SQ. FT.
TOTAL IMPERVIOUS AREA	54,253 SQ. FT. (1.25 Acres)
TOTAL GREENSPACE	29,981 SQ. FT. (0.69 Acres)
SITE LANDSCAPE PERCENTAGE	35.6%
TOTAL PARKING STALLS	- STALLS

### EXISTING CONDITIONS GENERAL NOTES

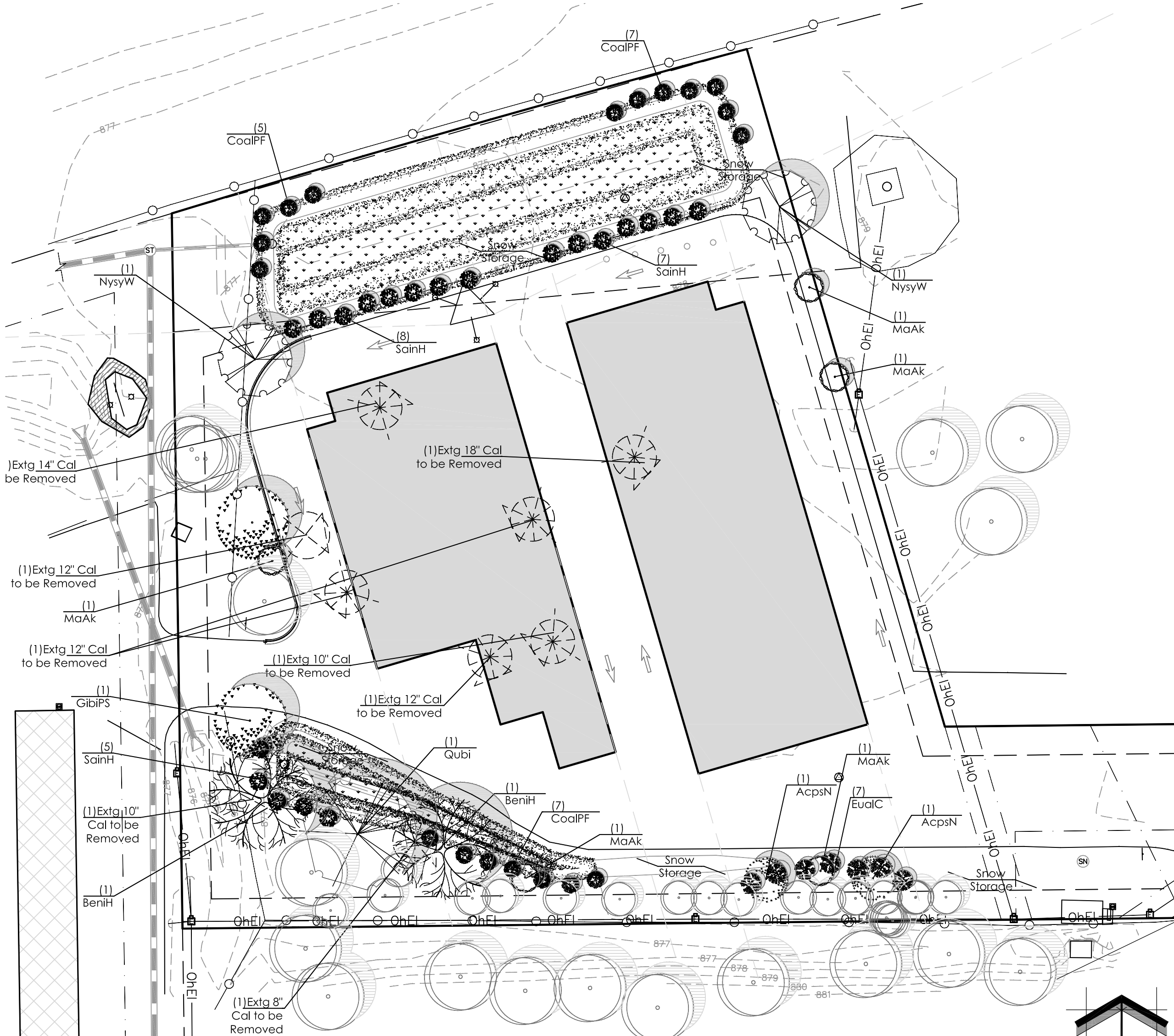
1. INFORMATION PERTAINING TO EXISTING CONDITIONS GIVEN ON THESE LANDSCAPE DRAWINGS REPRESENTS TO THE BEST OF OUR KNOWLEDGE THE ACTUAL EXISTING FIELD CONDITIONS. INSITE LANDSCAPE DESIGN, INC., MAKES NO WARRANTY AS TO THEIR ACCURACY. CONTRACTOR TO FIELD VERIFY EXISTING CONDITIONS IMPERATIVE TO THEIR NEW WORK. REPORT ANY DISCREPANCIES BETWEEN THE DRAWINGS AND FIELD CONDITIONS TO THE LANDSCAPE ARCHITECT FOR REVIEW. ANY WORK PERFORMED PRIOR TO RESOLUTION OF DISCREPANCIES BY THE LANDSCAPE ARCHITECT IS SUBJECT TO REMOVAL AND REPLACEMENT AT NO ADDITIONAL COST TO THE CONTRACT.
2. THE LOCATIONS OF EXISTING UTILITY INSTALLATIONS AS SHOWN ON THIS PLAN ARE APPROXIMATE. THERE MAY BE UNDERGROUND UTILITY INSTALLATIONS WITHIN THE PROJECT AREA OF DISTURBANCE THAT ARE NOT SHOWN. THE CONTRACTOR SHALL BE RESPONSIBLE FOR VERIFYING THE EXISTENCE AND LOCATION OF ALL UNDERGROUND UTILITIES.
3. VERIFY ALL EXISTING CONDITIONS, DIMENSIONS, AND ALIGNMENT OF WALLS, BRING ANY DISCREPANCIES TO THE LANDSCAPE ARCHITECTS ATTENTION PRIOR TO FABRICATION / CONSTRUCTION BEGINS.
4. VERIFY LOCATION OF ACCESS PANELS w/ MECHANICAL AND ELECTRICAL EQUIPMENT FOR ACCESSIBILITY OF MECHANICAL & ELECTRICAL ITEMS. VERIFY LOCATIONS OF ALL BURIED UTILITIES AND STRUCTURES AND LOCATIONS OF ALL OVERHEAD WIRES.
5. VERIFY LOCATION OF ALL EXISTING EASEMENTS.
6. INSITE LANDSCAPE DESIGN, INC. ASSUMES NO RESPONSIBILITY FOR DAMAGES, LIABILITY OR COSTS RESULTING FROM CHANGES OR ALTERATIONS MADE TO THIS PLAN WITHOUT THE EXPRESSED WRITTEN CONSENT OF INSITE LANDSCAPE DESIGN, INC.

### LANDSCAPE PLAN GENERAL NOTES

- PLANT MATERIAL SHOWN ON LANDSCAPE PLAN IS DEPICTED AT MATURE GROWTH.
1. AT LEAST SEVENTY-TWO HOURS PRIOR TO ANY EXCAVATION, CONTRACTOR SHALL VERIFY UTILITY LOCATIONS AS GIVEN BY THE ELECTRIC, GAS, TELEPHONE, WATER, SEWER, AND CABLE TELEVISION COMPANIES, UTILITIES OR ENTITIES. REVIEW WITH OWNER'S REPRESENTATIVE SITE MECHANICAL, SITE ELECTRICAL AND LIGHTING, SITE GRADING AND DRAINAGE, SITE IRRIGATION AND ALL OTHER DRAWINGS PERTAINING TO UNDERGROUND UTILITY LOCATIONS. RECORD SET OF INFORMATION THE SAME AS IN POSSESSION OF OWNER'S REPRESENTATIVE. ALSO REVIEW OWNER'S "MARK SETS" OF ALL OF THESE DRAWINGS IN POSSESSION OF THE CONTRACTOR OR OWNER. MARK ALL SUCH UTILITIES ON THE SITE PRIOR TO COMMENCING. COORDINATE WITH OWNER BEFORE AND DURING CONSTRUCTION. REPAIR ANY DAMAGE TO ANY SYSTEM THAT IS CAUSED BY LANDSCAPE CONTRACTOR AT NO COST TO OWNER.
  2. ALL PLANTINGS SPECIFIED FOR THE CLIMATE CONTROLLED STORAGE PROJECT PLANTING TABLES SHALL COMPLY WITH STANDARDS AS DESCRIBED IN AMERICAN STANDARD OF NURSERY STOCK ANSI Z60.1 2014 AND ANSI STANDARDS FOR PLANTING 2012.
  3. ALL DEVIATIONS FROM THE APPROVED CLIMATE CONTROLLED STORAGE PROJECT PLANS SHALL BE NOTED ON THE RECORD DRAWINGS BY THE CONTRACTOR AND MAY BE EXECUTED ONLY WITH PRIOR APPROVAL FROM THE LANDSCAPE ARCHITECT AND OWNER'S REPRESENTATIVE. VERBAL AGREEMENTS OR REVISIONS WITHOUT A CHANGE ORDER WILL NOT BE RECOGNIZED BY LANDSCAPE ARCHITECT AND OWNER.
  4. ALL PLANTS MUST BE BID AND SELECTED PER THE SPECIES SPECIFIED ON THE PLANS. ANY SPECIES SUBSTITUTIONS MUST BE APPROVED IN WRITING BY LANDSCAPE ARCHITECT. THE SIZES OF PLANT MATERIAL LISTED HEREIN IS A MINIMUM ACCEPTABLE SIZE. ADDITIONALLY, IF EXCESSIVE PRUNING REDUCES THE CROWN THE PLANT SHALL BE REPLACED.
  5. PROTECT PUBLIC FROM CONSTRUCTION WITH BARRIERS AND BARRICADES.
  6. ALL AREAS THAT WERE DISTURBED DURING CONSTRUCTION AND AREAS NOT COVERED WITH PAVEMENT, BUILDING, PLANTING BEDS, OR TREE PITS ARE TO BE TOPSOILED 3" DEEP (MIN.) AND SHALL BE SODDED/SEEDED WITH SPECIFIED LAWN GRASS. LANDSCAPE CONTRACTOR SHALL INCLUDE COST PER SQUARE YARD FOR ADDITIONAL SEED OPERATIONS AS MAY BE POSSIBLY REQUIRED TO REESTABLISH ADJACENT TURF GRASS AREAS WHICH MAY BECOME DAMAGED DURING THE CONSTRUCTION PROCESS OR TO REPAIR DAMAGE DONE BY OTHERS.
  7. CONTRACTOR IS RESPONSIBLE FOR FURNISHING ALL MATERIALS, TOOLS, EQUIPMENT, LABOR, AND PLANTS NECESSARY FOR PROPER PLANTING AND INSTALLATION OF ALL LANDSCAPE MATERIAL.
  8. QUANTITIES ON PLANT MATERIALS LIST ARE FOR CONVENIENCE OF BIDDING ONLY. CONTRACTOR IS RESPONSIBLE FOR ALL PLANTS SHOWN ON LANDSCAPE PLANS AND COVERAGE OF ALL AREAS DELINEATED. THE PLANS ARE TO SUPERSEDE THE PLANT LIST IN ALL CASES.
  9. CONTRACTOR IS RESPONSIBLE FOR ALL ESTIMATING AND BIDDING, ALL AREAS, QUANTITIES MATERIALS SHOULD BE FIELD VERIFIED WITH SITE CONDITION.
  10. WHERE DISCREPANCIES OCCUR BETWEEN THE LANDSCAPE PLANS AND/OR ARCHITECTURAL AND/OR THE CIVIL DRAWINGS (AND ANY OTHER SITE DRAWINGS) THE DISCREPANCIES MUST BE BROUGHT TO THE LANDSCAPE ARCHITECTS ATTENTION FOR COORDINATION AND RESOLUTION.
  11. ALL DISEASED, NOXIOUS OR INAPPROPRIATE MATERIALS SHALL BE REMOVED FROM THE PROPOSED SITE PRIOR TO THE START OF CONSTRUCTION AND DURING THE MAINTENANCE PERIOD.
  12. GENERAL CONTRACTOR SHALL LEAVE THE SITE FREE OF CONSTRUCTION DEBRIS.
  13. ALL LAWN AND PLANTING AREAS SHALL SLOPE TO DRAIN A MINIMUM OF 2% UNLESS NOTED OTHERWISE AND REVIEWED WITH OWNER'S REPRESENTATIVE FOR FINAL APPROVAL.
  14. FINISH GRADES FOR SHRUB AND GROUND COVER AREAS SHALL BE HELD 1" BELOW TOP OF ADJACENT PAVEMENTS AND CURBS, UNLESS NOTED OTHERWISE ON THE PLANS. REFER TO LSP1.2 FOR FURTHER INFORMATION.
  15. ALL PERENNIAL, ANNUAL AND GROUND COVER AREAS TO RECEIVE A BLEND OF ORGANIC SOIL AMENDMENTS PRIOR TO PLANTING. TILL THE FOLLOWING MATERIALS INTO EXISTING TOPSOIL TO A DEPTH OF APPROXIMATELY 8". A DEPTH OF 12" IN TREE PITS. PROPORTIONS AND QUANTITIES MAY REQUIRE ADJUSTMENT DEPENDING ON THE CONDITION OF EXISTING SOIL. REFER TO LSP1.2 FOR FURTHER INFORMATION.  
*PER EVERY 100 SQUARE FEET ADD:* ONE 2 CUBIC FOOT BALE OF PEAT MOSS, 2 POUNDS OF 5-10-5 GARDEN FERTILIZER, 1/4 CUBIC YARD OF COMPOSTED MANURE OR OTHER COMPOSTED, ORGANIC MATERIAL.
  16. ALL SHRUBS TO BE POCKET PLANTED WITH A 50/50 MIX OF COMPOSTED, ORGANIC MATERIAL AND EXISTING SOIL. INSTALL TOPSOIL INTO ALL BEDS AS NEEDED TO ACHIEVE PROPER GRADE. REMOVE ALL EXCESSIVE GRAVEL, CLAY AND STONES. REFER TO LSP1.2 FOR FURTHER INFORMATION.
  17. PLANT ALL TREES SLIGHTLY HIGHER THAN FINISHED GRADE AT ROOT FLARE. BACK FILL HOLE WITH 2/3 EXISTING TOPSOIL AND ORGANIC SOIL AMENDMENTS SPECIFIED IN NOTE 15. AVOID ANY AIR POCKETS. DISCARD ANY GRAVEL CLAY OR STONES. REFER TO LSP1.2 FOR FURTHER INFORMATION.
  18. ALL TREES TO BE INSTALLED, STAKED AND GUYED ACCORDING TO DETAILS. REFER TO ANSI STANDARDS FOR PLANTING 2012 AND DETAILS ON LSP1.2 FOR FURTHER INFORMATION.
  19. PROVIDE A 4'-0" - 5'-0" DIAMETER MULCH RING AT THE ROOT BALL FLARE OF ALL LAWN TREES.
  20. ALL PLANTINGS TO BE WATERED AT THE TIME OF PLANTING, THROUGHOUT CONSTRUCTION AND UPON COMPLETION OF PROJECT AS REQUIRED.
  21. WHERE SPECIFIED, ALL PLANT BEDS, PITS AND TREE RINGS ARE TO RECEIVE A MINIMUM OF 2" - 3" DRESSING OF SHREDDED HARDWOOD OAK BARK MULCH SHAVINGS FREE OF GROWTH, WEEDS, FOREIGN MATTER DETRIMENTAL TO PLANT LIFE OR GERMINATION INHIBITING INGREDIENTS. LANDSCAPE CONTRACTOR TO PROVIDE A SAMPLE TO OWNER FOR APPROVAL. CONTRACTOR TO TAKE CARE WITH INSTALLATION NOT TO DAMAGE OR COVER PLANTS. REFER TO LSP1.2 FOR FURTHER INFORMATION.
  22. **DELUXE 50 GRASS SEED MIX REINDER'S (800) 785-3301**  
20% KENTUCKY BLUE GRASS  
15% NEWPORT KENTUCKY BLUE GRASS  
15% SR 2100 Kentucky Bluegrass  
25% Creeping Red Fescue  
15% Replicator Perennial Ryegrass  
10% Fiesta 4 Perennial Ryegrass  
APPLY AT A RATE OF 200 POUNDS PER ACRE. REFER TO SUPPLIERS SPECIFICATIONS & INSTALLATION CUT SHEETS FOR FURTHER FORMATION
  24. DURING THE INITIAL "30 DAY MAINTENANCE PERIOD" THE LANDSCAPE CONTRACTOR IS REQUIRED TO PROVIDE AND ON-GOING PLEASANT VISUAL ENVIRONMENT WHEREAS ANY PLANT WHICH IS NOT RESPONDING TO TRANSPLANTING OR THRIVING SHALL IMMEDIATELY BE REPLACED. NEW LAWNS SHALL BE WATERED AND REPAIRED AND WEEDS MUST CONSTANTLY BE REMOVED. NO EXCEPTIONS WILL BE GRANTED.  
MAINTENANCE NOTE:  
MAINTENANCE IS THE RESPONSIBILITY OF THE PROPERTY OWNER TO MAINTAIN REQUIRED LANDSCAPING IN ACCORDANCE WITH THE MUNICIPALITY'S PROPERTY MAINTENANCE CODE AND AN APPROVED MAINTENANCE PLAN. THE MAINTENANCE MUST INCLUDE, AT A MINIMUM, METHODS FOR PROVIDING THE FOLLOWING:  
• NECESSARY IRRIGATION (IF REQUIRED)  
• INTEGRATED PEST MANAGEMENT,  
• PROPER FERTILIZATION  
• TREE CARE AND PRUNING, SHRUB TIP CLIPPING AND SHAPING AS REQUIRED  
• REPLACEMENT OF LOST VEGETATION, AND ALL DISEASED, DAMAGED, OR DEAD MATERIAL WILL BE REPLACED BY THE END OF THE FOLLOWING PLANTING SEASON IN PERPETUITY.  
• WEED MANAGEMENT AND BED CARE.
  25. ALL NEWLY PLANTED TREES AND SHRUBS ARE TO RECEIVE AN APPLICATION OF AN ANTI-TRANSPIRANT SPRAY THAT WILL EFFECTIVELY REDUCE THE WATER LOSS OF TRANSPIRATION OF PLANT MATERIAL AND REDUCE THE STRESS OF TRANSPLANTATION. IT IS RECOMMENDED AS PART OF THE ONGOING MAINTENANCE THAT ANY BROADLEAF EVERGREEN AND CONIFEROUS TREE AND SHRUBS (EXCLUDING ARBOVITAE) RECEIVE AN APPLICATION OF AN ANTI-DESICANT SPRAY TO REDUCE THE LOSS OF MOISTURE DUE TO WINTER DESICCATION.
  26. MAINTENANCE. THE OWNER SHALL TEND AND MAINTAIN ALL PLANT MATERIALS IN A HEALTHY GROWING CONDITION AS PER THE APPROVED PLAN. PLANTINGS SHALL BE REPLACED WHEN NECESSARY AND KEPT FREE FROM REFUSE & DEBRIS. ALL PLANTING MATERIAL WHICH IS DYING OR DAMAGED BEYOND RECOVERY SHALL BE REPLACED WITHIN SIX (6) MONTHS OR BY THE NEXT PLANTING SEASON, WHICHEVER COMES FIRST.
  27. LANDSCAPE / SITE DEMOLITION CONTRACTOR TO VERIFY LOCATIONS OF EXISTING TREES AND SHRUBS TO BE SALVAGED AND CLEARLY TAG THEM WITH MARKING TAPE AND CONSTRUCTION FENCE.

**DESIGN COMPLIANCE:** THIS LANDSCAPE PLAN IS ACCURATE AND IN COMPLIANCE WITH THE CITY OF WAUKESHA LANDSCAPE REQUIREMENTS SET FOR IN SECTION 22.18 LANDSCAPING 22.18.4 REQUIRED LANDSCAPE PLANTING.  
(Am. #39-02) The number of plant materials required in order to achieve an appropriate and complete landscape plan for a site shall be provided so that plant materials shall consist of a mixture of trees, shrubs, and ground cover as approved by the Plan Commission. Business, industrial, institutional, and park development shall plant appropriate trees, shrubs, and ground cover—as approved by the Plan Commission—based on the size of the project.  
22.18.6 MINIMUM SIZE OF PLANTINGS. All plantings under this subsection shall be in accordance with the following:  
Deciduous trees shall be a minimum size of two and one half (2 1/2) inches in diameter at four and one half (4 1/2) feet above grade.  
Coniferous trees shall be a minimum of six (6) feet in height.  
Shrubs shall be a minimum of eighteen (18) inches in height or spread.  
Ornamental trees shall be a minimum size of one and one half (1 1/2) inches in diameter at four and one half (4 1/2) feet above grade.

**CONTRACTOR NOTE:** THE LANDSCAPE CONTRACTOR/GENERAL CONTRACTOR ARE RESPONSIBLE TO INSTALL THE LANDSCAPE AS PER THE APPROVED PLAN. IF ANY CHANGES OR DEVIATIONS ARE MADE FROM THIS APPROVED PLAN, THE LANDSCAPE CONTRACTOR / GENERAL CONTRACTOR ARE RESPONSIBLE FOR UPDATING THE PLANS ACCORDINGLY AND SUBMITTING THOSE REVISED PLANS FOR APPROVAL AND "SIGN OFF" WITH THE CITY OF WAUKESHA. THE LANDSCAPE CONTRACTOR / GENERAL CONTRACTOR ARE ALSO RESPONSIBLE FOR VERIFYING THAT ANY PLANT MATERIAL SUBSTITUTIONS OR MODIFICATIONS THAT ARE MADE TO THE APPROVED LANDSCAPE DESIGN DOCUMENTS WILL NOT CHANGE OR ALTER ANY OF THE REQUIRED SUPPORTING LANDSCAPE REQUIREMENT CALCULATIONS. UPON COMPLETION OF THE CONSTRUCTION PROJECT AND FILE THAT AFFIDAVIT WITH THE CITY OF WAUKESHA



### PROPOSED LANDSCAPE PLAN

Proposed Plant Material Table

Quantity	Code Name	Symbol	Scientific Name	Common Name	Planting Size	Comments
2	AcpsN		Acer pseudoesbolarum 'Northwind'	Northwind Korean Maple	2 1/2'-Cal - B&B	
2	BeniH		Betula nigra 'Heritage'	Heritage River Birch	2 1/2'-Cal - B&B	
2	GibiPS		Ginkgo biloba 'Princeton Sentry'	Princeton Sentry Maidenhair Tree	2 1/2'-Cal - B&B	
5	MaAk		Malus 'Adirondack'	Adirondack Flowering Crab	1 1/2'-Cal - B&B	
2	NysyW		Nyssa sylvatica 'Wildfire'	Wildfire Black Gum	2 1/2'-Cal - B&B	
1	Qubi		Quercus bicolor	Swamp White Oak	2 1/2'-Cal - B&B	
-	Extg		Existing to Remain	Existing		
1	Extg		Existing to be Removed	Existing to be Removed	Extg 12' Cal Demo	
1	Extg		Existing to be Removed	Existing to be Removed	Extg 10' Cal Demo	

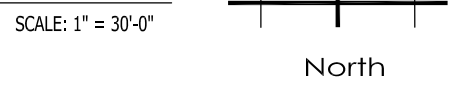
Quantity	Code Name	Symbol	Scientific Name	Common Name	Planting Size	Comments
3	Extg		Existing to be Removed	Existing to be Removed	Extg 14' Cal Demo	
1	Extg		Existing to be Removed	Existing to be Removed	Extg 12' Cal Demo	
1	Extg		Existing to be Removed	Existing to be Removed	Extg 18' Cal Demo	
1	Extg		Existing to be Removed	Existing to be Removed	Extg 8' Cal Demo	
1	Extg		Existing to be Removed	Existing to be Removed	Extg 10' Cal Demo	

Quantity	Code Name	Symbol	Scientific Name	Common Name	Planting Size	Comments
19	CoaIPF		Cornus alba 'Prairie Fire'	Prairie Fire Dogwood	18" - 24" - Cont	
7	EuaIC		Euonymus alatus 'compatus'	Dwarf Burning Bush	18" - 24" - Cont	
20	SainH		Salix integra 'Hakuro-nishiki'	Dappled Willow	18" - 24" - Cont	

### Stormwater Management Areas

Quantity	Symbol	Supplier	Type
		Cardno	Economy Prairie Seed Mix - mixture contains 7 native permanent grass/ sedge species and 15 native forb species. Apply at 10 PLS pounds per acre. Refer to cut sheets for mix specifics and installation instructions.

Quantity	Symbol	Supplier	Type
		Cardno	Rainwater Renewal Seed Mix - mixture contains 15 native permanent grass/ sedge species and 19 native forb species. Refer to cut sheets for mix specifics and installation instructions.



NOT FOR CONSTRUCTION - PRELIMINARY - FOR ESTIMATING AND REVIEW ONLY - DO NOT SCALE THESE DRAWINGS - These progress documents reflect progress & intent & may be subject to change, including additional notes and detail. These are not final construction documents and should not be used for final bidding or construction-related purposes.

Project:

## CLIMATE CONTROLLED STORAGE

Silvernail Road  
Waukesha, WI 53072

Issuance and Revisions:

Date	Number	Description
05/26/23		Plan Commission Submittal

COPYRIGHT InSite Landscape Design Inc. 2020 ALL RIGHTS RESERVED  
THIS DRAWING IS NOT TO BE REPRODUCED, CHANGED, COPIED OR ASSIGNED TO ANY THIRD PARTY IN ANY FORM OR MANNER WITHOUT FIRST OBTAINING THE EXPRESSED WRITTEN PERMISSION OF InSite Landscape Design, Inc. THE CLIENT AGREES TO INDEMNIFY AND HOLD THE InSite Landscape Design Inc. HARMLESS FROM ANY DAMAGES, LIABILITY, OR COST, INCLUDING ATTORNEY'S FEES AND COSTS OF DEFENSE ARISING FROM ANY CHANGES OR ALTERATIONS MADE BY ANYONE OTHER THAN THE InSite Landscape Design Inc., OR WITHOUT THE PRIOR WRITTEN CONSENT OF THE InSite Landscape Design Inc.

Sheet Title:

PROPOSED LANDSCAPE PLAN,  
GENERAL NOTES  
AND PLANT MATERIAL TABLE

Date of Drawing: 05/26/23  
Scale: 1" = 30'-0"  
Drawn By: MCD  
Job Number: L23-035  
Sheet Number:

# LSP1.1

TO OBTAIN LOCATION OF PARTICIPANTS UNDERGROUND FACILITIES BEFORE YOU DIG IN WISCONSIN

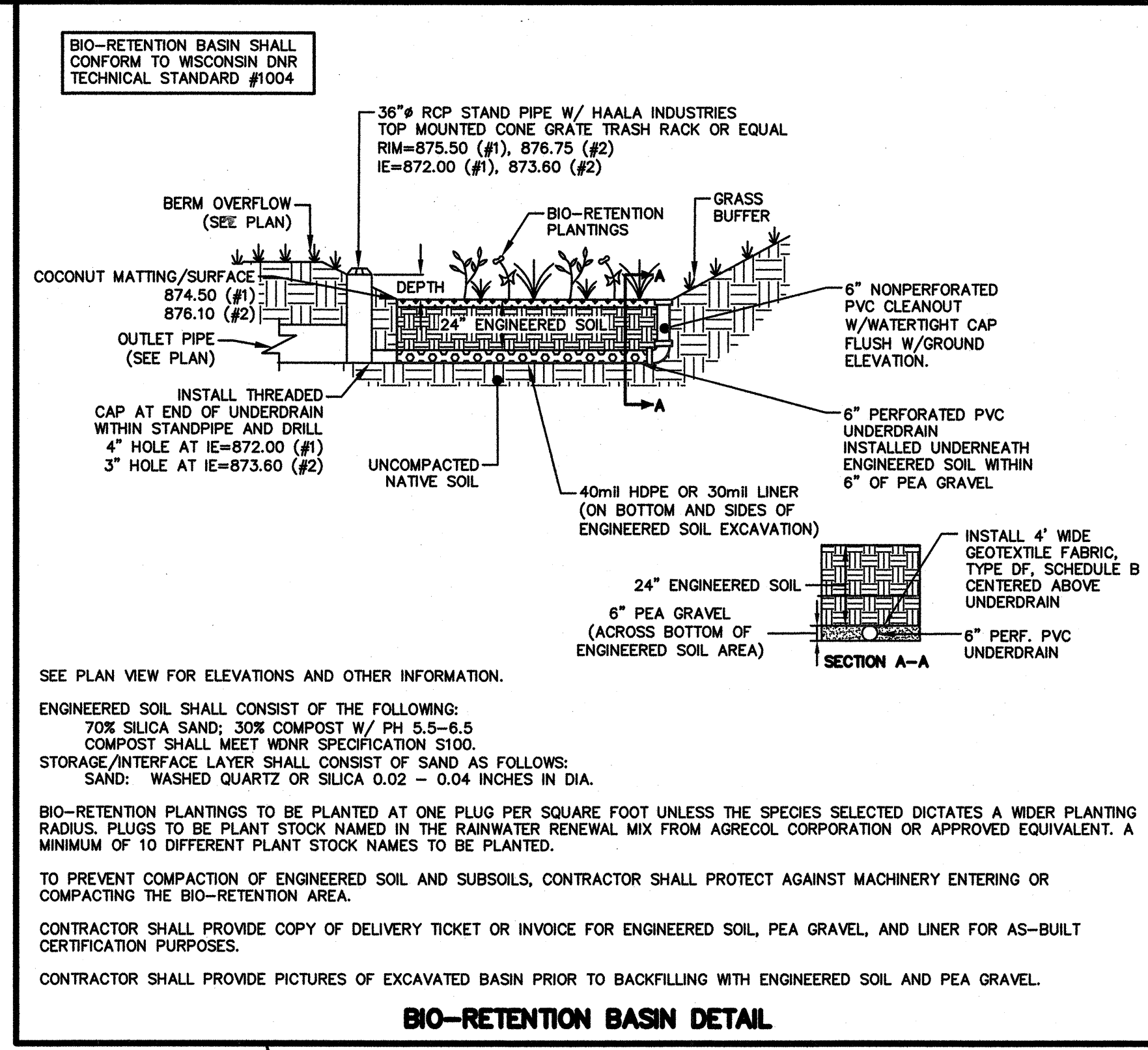
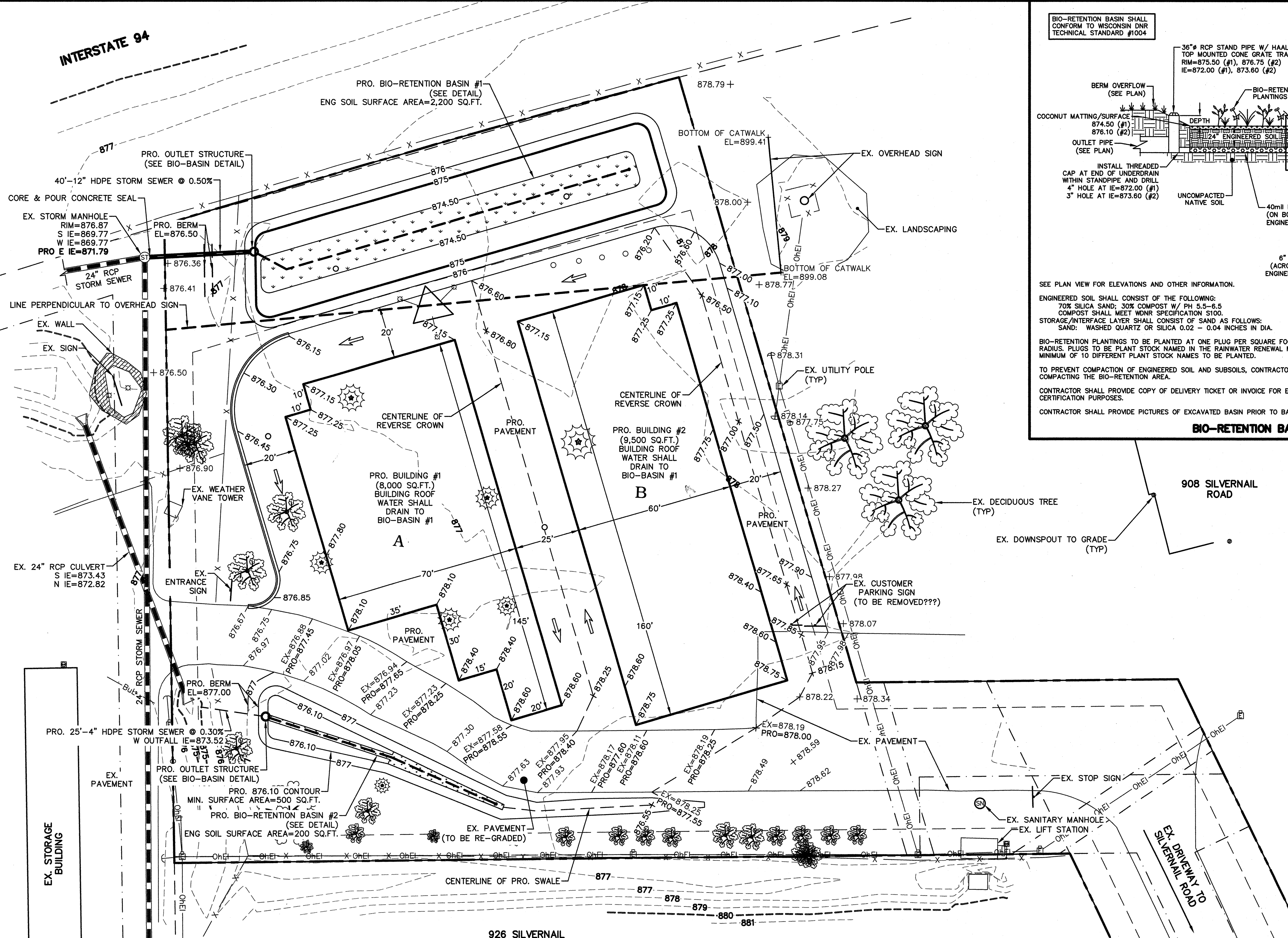
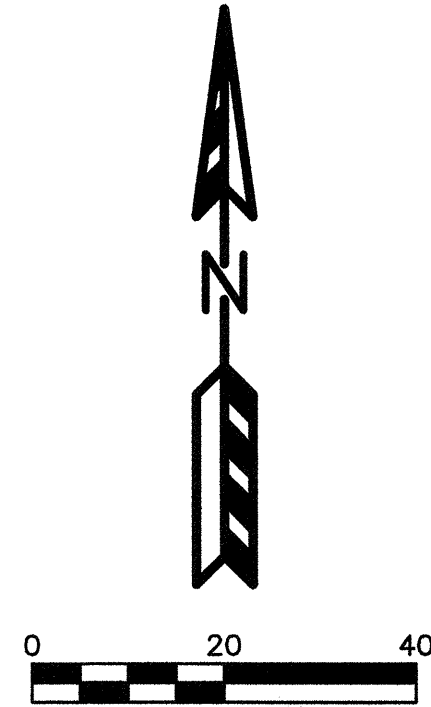
## DIGGERS HOT LINE

WISCONSIN STATUTE 182.0175 (1974) REQUIRES A MINIMUM OF 3 DAYS NOTICE BEFORE YOU EXCAVATE (NOT INCLUDING SATURDAY, SUNDAY OR LEGAL HOLIDAYS)

UNDERGROUND SEWER AND UTILITY INFORMATION AS SHOWN IS OBTAINED FROM THE RECORDS OF MUNICIPALITY AND LOCAL UTILITY COMPANIES. THE ACCURACY OF WHICH CAN NOT BE GUARANTEED OR CERTIFIED TO. THE LOCATIONS OF EXISTING UTILITY INSTALLATIONS AS SHOWN ON THIS SURVEY ARE APPROXIMATE. THERE MAY BE OTHER UNDERGROUND UTILITY INSTALLATIONS WITHIN THE PROJECT AREA THAT ARE NOT SHOWN.

TO OBTAIN LOCATION OF PARTICIPANTS UNDERGROUND FACILITIES BEFORE YOU DIG IN WISCONSIN CALL THE MILWAUKEE UTILITY ALERT NETWORK  
www.DiggersHotline.com  
(800)-242-8511  
OR

**811**  
Know what's below.  
Call 811 before you dig.



**SITE INFORMATION:**  
 PROPERTY IS LOT 1 OF CSM 8319  
 LOT AREA: 98,204 SQUARE FEET, 2.25 ACRES  
 ZONING: B5 COMMUNITY BUSINESS DISTRICT  
 BUILDING SETBACKS: 50' FROM RIGHT-OF-WAY, 10' SIDE YARD, 25' REAR  
 PAVED DRIVE AISLE SETBACK: 5' FROM SIDE YARD, 15' FROM RIGHT-OF-WAY  
 PRO. IMPERVIOUS AREA=54,253 SQUARE FEET, 1.25 ACRES  
 PRO. IMPERVIOUS AREA % = 55.2%  
 BUILDING FLOOR AREA = 17,500 SQUARE FEET  
 BUILDING FLOOR AREA RATIO = 17.8%

**LEGEND FOR COMMON LINES:**

-879-	EXISTING MINOR CONTOUR
-880-	EXISTING MAJOR CONTOUR
-x-x-x-	PROPERTY LINE
-o-h-e-l-	EXISTING FENCE
-o-h-e-l-	EXISTING OVERHEAD ELECTRIC LINE
-b-u-e-l-	EXISTING BURIED ELECTRIC LINE
-EX=878.25 OR 878.49	EXISTING SPOT ELEVATION
-878.75	PROPOSED SPOT ELEVATION

**CLIMATE CONTROLLED STORAGE - CSM 8319**  
 PRELIMINARY GRADING PLAN  
 SHEET C-2  
 DATED: JUNE 9, 2022

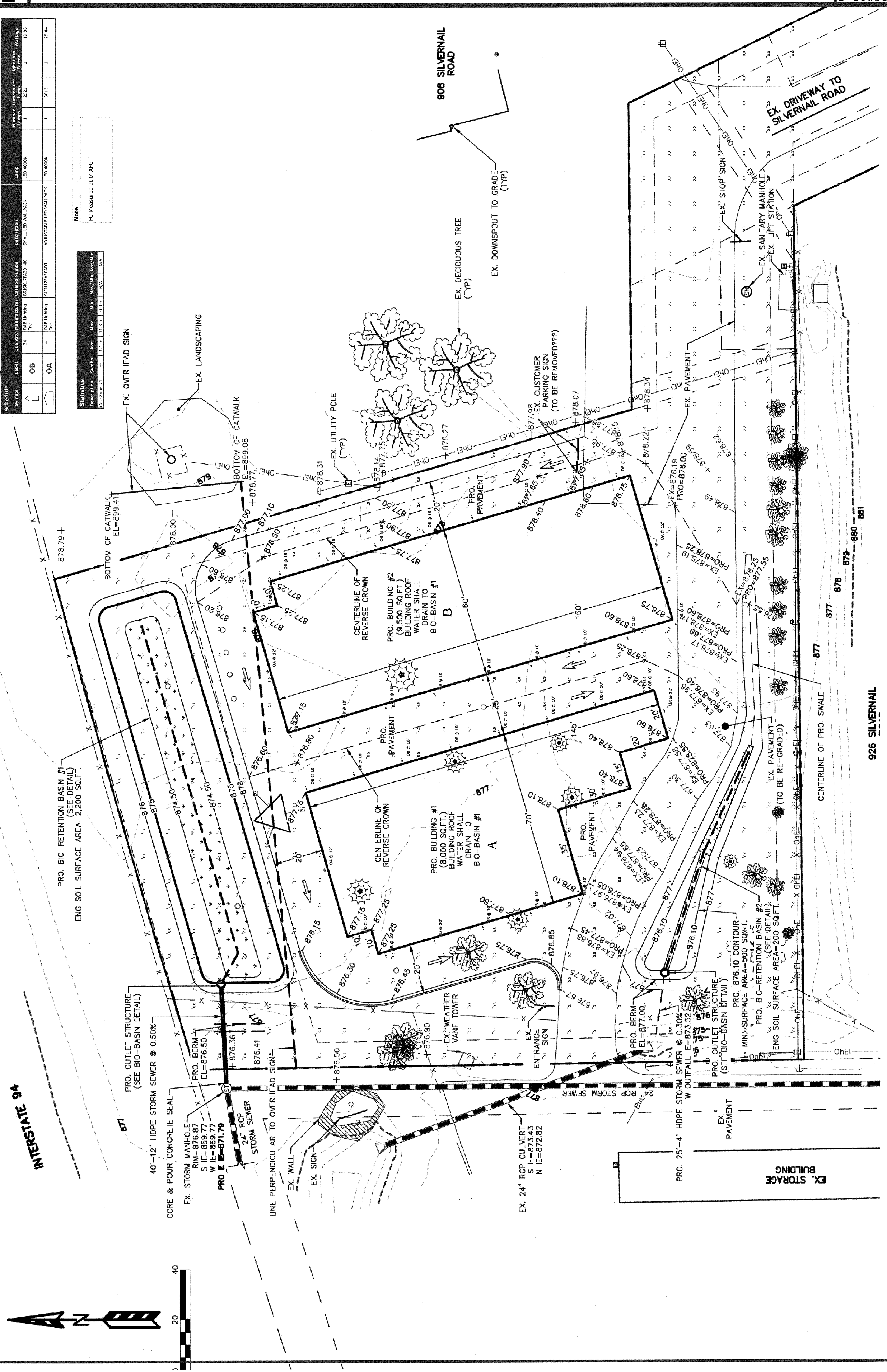
**QUAM ENGINEERING, LLC**  
 Residential and Commercial Site Design Consultants  
 www.quamengineering.com  
 4604 Siggelkow Road, Suite A - McFarland, Wisconsin 53558  
 Phone (608) 838-7750; Fax (608) 838-7752



Schedule	Label	Quantity	Manufacturer	Catalog Number	Description	Lamp	Number Lumens Per Range	Light Loss Factor	Wattage
	OB	24	RAB Lighting Inc.	BRS477A20_4K	SMALLER WALLPACK	LED-4000K	2221	1	15.88
	OA	4	RAB Lighting Inc.	SLIM177A30AD	ADJUSTABLE LED WALLPACK	LED-4000K	3813	1	28.44

Note  
FC Measured at 0' AFG

Statistics	Description	Symbol	Avg	Max	Min	Max/Min Avg/Min
SIZE Zone 41			1.11.01	1.13.10	0.01.01	N/A



INTERSTATE 69

908 SILVERNAIL ROAD

EX. BUILDING STORAGE

926 SILVERNAIL

