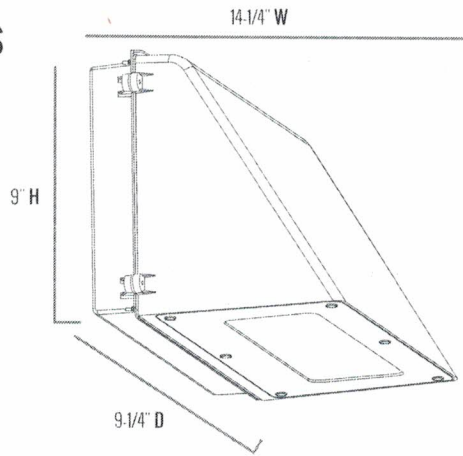


# E-WLT06 Series



## Series Overview

DIMENSIONS	PRODUCT WEIGHT	MOUNTING HEIGHT	SPACING
9-1/4" D x 14-1/4" W x 9" H	9.02 lbs.	10 to 15 feet	1 to 2 times the mounting height

## Fixture Specifications

<b>HOUSING</b>	Low copper, die-cast aluminum housing and door frame Dark bronze polyester powder-coat finish
<b>LENS ASSEMBLY</b>	Tempered glass lens is thermal, shock and impact resistant White polycarbonate reflector
<b>MOUNTING</b>	1/2" threaded knockouts provided for conduit entry (one on top, one on each side) or mount over recessed junction box

## Electrical Performance

OPERATING MINIMUM	LIFESPAN <i>L<sub>70</sub></i> AT 25°C (77°F)	POWER FACTOR	TOTAL HARMONIC DISTORTION	DIMMABLE
-40°C (-40°F)	Estimated >100,000 Hours	> 0.9	< 20%	No
<b>INPUT VOLTAGE</b>	<b>120V</b>	<b>208V</b>	<b>240V</b>	<b>277V</b>
<b>Current Draw (Amps)</b>	0.55A	0.32A	0.27A	0.24A

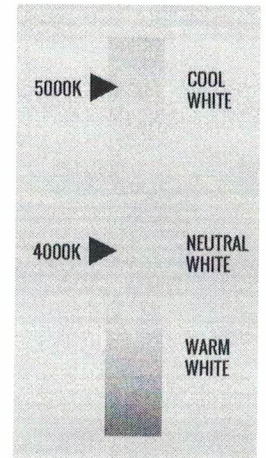
## Warranty & Certifications

WARRANTY	UL LISTED	DLC
5-Year Limited	Wet Locations	Yes

## Output Specifications

SKU	LIGHT OUTPUT	COLOR TEMP (See chart)	POWER CONSUMPTION	COLOR ACCURACY	REPLACES
<b>E-WLT06A-F50Z</b>	6600 Lumens	Cool White (5000K)	66W	≥ 70 CRI	175W MH / 150W PSMH
<b>E-WLT06A-F40Z</b>	6400 Lumens	Neutral White (4000K)	66W	≥ 70 CRI	175W MH

## CORRELATED COLOR TEMPERATURE (CCT)



Due to continuous product improvement, information in this document is subject to change.

Revision Date: 08/14/17

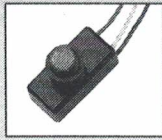
1501 96<sup>th</sup> Street, Sturtevant, WI 53177 | Phone (888) 243-9445 | Fax (262) 504-5409 | [www.e-conolight.com](http://www.e-conolight.com)





# E-WLT06 Series

## Accessories

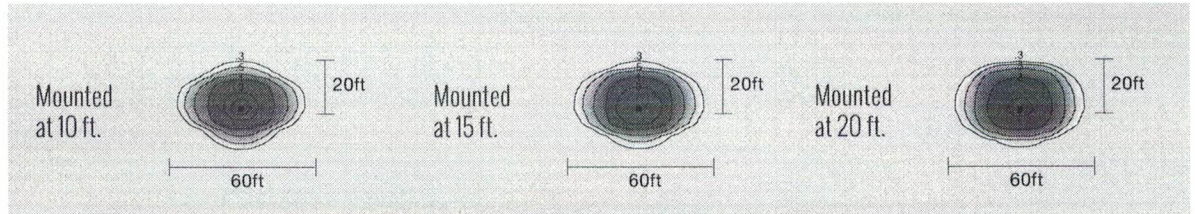


Photocell - Button, 120V/208V/240V/277V

SKU: **E-ACP1** (120V)  
**E-ACP2** (208V/240V/277V)

USE: Photocell is field installed.  
Drilling of the back box in the field is required.

## Photometric Diagrams



All published photometric testing performed to IESNA LM-79-08 standards by a NVLAP certified laboratory. Fixture photometry was completed on a single representative fixture.

## Generational Chart

OLD SERIES	NEW SERIES
E-WP13 Series	E-WLT06 Series

WALL PACKS

Due to continuous product improvement, information in this document is subject to change.

Revision Date: 08/14/17

1501 96<sup>th</sup> Street, Sturtevant, WI 53177 | Phone (888) 243-9445 | Fax (262) 504-5409 | [www.e-conolight.com](http://www.e-conolight.com)

e-conolight®



# E-WLT06 Series

LED Full Cutoff Wall Pack

Replaces 175W MH / 150W PSMH



## Traditional Style with Increased Performance!

e-conolight's LED Full Cutoff Wall Pack outperforms traditional 150W PSMH versions by:

- Using up to 65% less energy
- Shining up to 6600 lumens
- Reducing light pollution

### Efficient

- Reduced power consumption increases energy savings and decreases fixture maintenance

### Recommended Use

- Building facades
- Parking areas & garages
- Perimeter lighting

### Full Cutoff

- Reduced light pollution and sky glow
- Allows for control of spill light

### Input Voltage

- Universal (120V through 277V Operation)

## Certifications



**e-conolight®** | Quality Products, Affordably Priced.

1501 96<sup>th</sup> Street, Sturtevant, WI 53177 | Phone (888) 243-9445 | Fax (262) 504-5409 | [www.e-conolight.com](http://www.e-conolight.com)