

PARKS, RECREATION & FORESTRY

1900 AVIATION DRIVE
WAUKESHA, WISCONSIN 53188-2471
TELEPHONE 262/524-3737 FAX 262/524-3713

Ron Grall, Director
rgrall@waukesha-wi.gov

July 26, 2021

To: Parks, Recreation & Forestry Board (PRFB)

RE: PRFB Agenda Item - Approve the purchase of a 2022 Ford F750 Truck With Terex TL 55 Aerial Lift

This request is for the final approval to purchase a 2022 Ford F750 bucket truck from Terex Utilities, Inc. of Watertown, SD in the amount of **\$197,106**. The total price includes the Truck w/ Aerial Lift ((\$181,223), Title & License (Approx. \$250), Three Year Maintenance and Inspection Agreement (\$10,883), Spare Tire & Complete Filter Set (Approx. \$1,500) and Delivery Fee (Approx. \$3,250). The replacement truck has a 60.1 - foot working height. This truck is replacing a 1996 Ford F800 with a 57 - foot working height and is used primarily for tree pruning and removal operations. The new truck was selected rather than a previously considered Grapple-Saw Truck, due to its greater versatility and the familiarity of its operation to the personnel that will be operating it. Pricing was derived from Source Well (F.K.A. NJPA), a recognized buying program between the City and various manufacturers. This purchase was approved in the 2021 CIP Fleet Budget.

Thank you,

Michael J. Talaska

Michael J. Talaska
Forestry Supervisor



Prepared for: Mike Stolp, Sales, Terex
3140 15th Ave SE
Watertown, SD 57201
Office: 605-884-3876
Email: mike.stolp@terex.com

2022 F-750 Diesel Regular Cab Base (F7D)

Price Level: 215



Client Proposal

Prepared by:
Mike Johnson
Office: 605-886-5844
Email: mike@watertownfordchrysler.com
Quote ID: QU16463D
Date: 07/13/2021

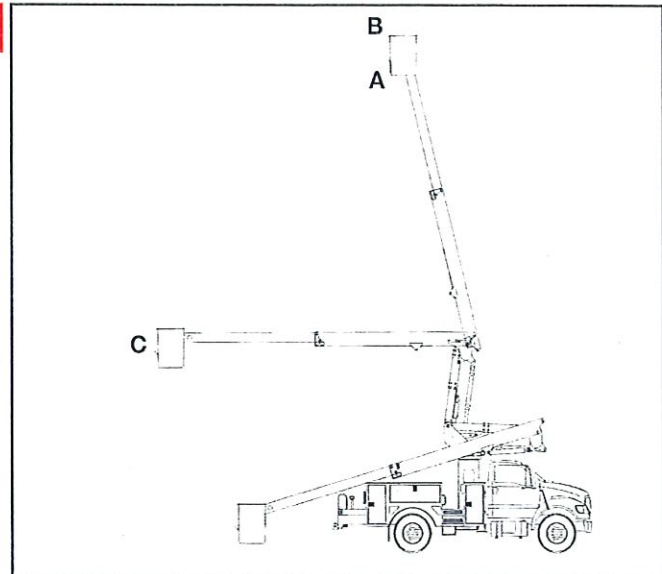


TL SERIES

Hi-Ranger Telescopic Material Handling Aerial Device

STANDARD EQUIPMENT

- Side-Mount 24" x 48" x 42" Two-Person Platform
- Platform Capacity of up to 600 lb (272.2 kg)
- Platform Rotator
- 4-Function Single Stick
- Safety Harness with Attached Lanyard
- Continuous Unrestricted Worm Gear Rotation
- Category "C" Rating Per ANSI A92.2
- Rectangular, Bi-Axial Epoxy Resin, Filament Wound Fiberglass Booms
- Individual Lever Lower Controls
- Hydraulic Platform Leveling System
- Steel Main Boom
- Fiberglass Second Section Boom
- Fiberglass Lift Boom Insert
- Engine Stop/Start
- Two Speed Throttle (TL60 Demand Throttle)
- Full Pressure, Open-Center Hydraulic System
- 20 Gallon Internal Hydraulic Oil Reservoir
- Padded Lower Boom Rest (TL 60 Only)
- Outrigger Interlock
- Moving Outrigger Alarm
- Truck Level Indicator
- Terex White Powdercoat



CAPACITIES & DIMENSIONAL DATA (Based on a 40 inch Frame Height)

Model	TL37	TL41	TL45	TL50	TL55	TL60
Bottom of Platform (A)	38.0 ft (11.6m)	42.0 ft (12.8 m)	44.8 ft (13.6 m)	49.5 ft (151 m)	55.1 ft (16.8 m)	60.1 ft (18.3 cm)
Working Height (B)	43.0 ft (13.1 m)	47.0 ft (14.3 m)	49.8 ft (15.2 m)	54.5 ft (16.6 m)	60.1 ft (18.3 m)	65.1 ft (19.8 m)
Horizontal Reach at 87° (C)	28.6 ft (8.7 m)	31.1 ft (9.5 m)	31.1 ft (9.5 m)	36.0 ft (11.0 m)	N/A	N/A
Horizontal Reach at 82° (C)	28.3 ft (8.6 m)	30.8 ft (9.4 m)	30.4 ft (9.3 m)	35.1 ft (10.7 m)	N/A	N/A
Horizontal Reach at 93° (C)	29.6 ft (9.0 m)	32.2ft (9.8 m)	32.3 ft (9.9 m)	37.0 ft (11.2 m)	38.3 ft (11.7m)	40.1 ft (12.2 m)
Lower Boom Articulation	0 to 87°	0 to 87°	0 to 87°	0 to 87°	0 to 93°	0 to 93°
Upper Boom Travel	-40 to 76°	-40 to 76°	-40 to 76°	-40 to 76°	-35 to 85°	-35 to 85°
Upper Boom Extension	100 in. (254 cm)	116 in. (295 cm)	116 in. (295 cm)	145 in. (368.3 cm)	140 in. (355.6 cm)	140 in. (355.6 cm)
Platform Capacity	400 lbs. (182.5 kg)	400 lbs. (182.5 kg)	400 lbs. (182.5 kg)	600 lbs. (272.2 kg)	600 lbs. (272.2kg)	600 lbs. (272.2kg)

The TL37-50 above are based on a 40" frame and 58" pedestal

OPTIONAL EQUIPMENT

- Various Side and End Mount Platforms
- Various Platform Covers
- Liners With or Without Steps
- 24" Platform Lifter
- Jib Options
 - Side Mount
 - Hydraulic Extend / Hydraulic Articulating, Underload Jib/Winch, 1500 lbs (680.4 kg)
 - Simplified Compact Jib/Winch 1500 lbs (680.4 kg)
 - End Mount
 - Manual Extend/Hydraulic Articulating 1000 lbs (453.6 kg)
 - Cobra-Style Jib
 - Single Wire / 46 Kv Insulated Single Line Lifter / Multi-Phase Attachments
- Optional 82° or 93° of Lower Boom Articulation TL37 -TL50
- Automatic Boom Latch
- Hydraulic Lifts: 10 ft Transverse or In-line
- Hydraulic Tool Outlets
- Auxiliary Power / Let Down System
- Demand Throttle (Std on TL60)
- Boom Overstow Protection
- Boom Stow Interlock
- Boom Storage Warning Light
- Outrigger Sag Light
- Various Types of Outriggers
- Truck Grounding Cable & Clamp
- Hybrid Enable
- HyPower™ Hybrid System by Terex®

Effective Date: June 2021. Product specifications and prices are subject to change without notice or obligation. The photographs and/or drawings in this document are for illustrative purposes only. Refer to the appropriate Operator's Manual for instructions on the proper use of this equipment. Failure to follow the appropriate Operator's manual when using our equipment or to otherwise act irresponsibly may result in serious injury or death. The only warranty applicable to our equipment is the standard written warranty applicable to the particular product and sale and Terex makes no other warranty, express or implied. Products and services listed may be trademarks, service marks or trade names of Terex Corporation and/or its subsidiaries in the USA and other countries. All rights are reserved. Terex® is a registered trademark of Terex Corporation in the USA and many other countries. Copyright 2021 Terex Corporation.

Preventive Maintenance and Inspection Program

TL55 TL Series Non-Overcenter Telescoping Articulating Aerial Device



3 = number of years of preventive maintenance service in the quote
 1 = quantity of units to include in the quote

Include field service travel time (otherwise units will be serviced at a branch)

Please indicate customer location: East of Colorado Mountains

Basic		Silver		Gold		Platinum		Custom		
- Yearly visual inspection and operational test of all critical components.* * NOTE- Basic package by itself does not qualify as the required annual inspection under the Terex Limited Product Warranty		- Yearly visual inspection and operational test of all critical components. - Annual preventive maintenance as defined in maintenance manual, including the following: - Torque checking of rotation bolts, drift test, lubrication, hydraulic oil test, dielectric test - Replacement hydraulic oil filters and lubricant - Qualifies as the required annual inspection under the Terex Limited Product Warranty		- Yearly visual inspection and operational test of all critical components. - Annual preventive maintenance as defined in maintenance manual, including the following: - Torque checking of rotation bolts, drift test, lubrication, hydraulic oil test, dielectric test - Replacement hydraulic oil filters and lubricant - Qualifies as the required annual inspection under the Terex Limited Product Warranty - 90 day, 180 day, and 270 day inspection and preventive maintenance - Replacement hydraulic oil filters and lubricant		- Yearly visual inspection and operational test of all critical components - Annual preventive maintenance as defined in maintenance manual including the following: - Torque checking of rotation bolts, drift test, lubrication, hydraulic oil test, dielectric test - Replacement hydraulic oil filters and lubricant - Qualifies as the required annual inspection under the Terex Limited Product Warranty - 90 day, 180 day, and 270 day inspection and preventive maintenance - Replacement hydraulic oil filters and lubricant - 5 years preventive maintenance - Removal and inspection of leveling chains and insulator rods*		Package not available for periods shorter than 5 years		Package includes: See custom package configurator
Standard service price:	\$2,280	Standard service price:	\$5,971	Standard service price:	\$14,986	Standard service price:	\$14,986			
Your package price:	\$2,070	Your package price:	\$4,336	Your package price:	\$10,883	Your package price:	\$10,883	Standard service price:	\$9,796	
		Your package price:		Your package price:		Your package price:		Your package price:	\$7,114	
You save:	\$210	You save:	\$1,635	You save:	\$4,103	You save:	\$4,103	You save:	\$2,682	

Select your package: Basic (customer declines, among others, torque check of critical fasteners)
 Silver Gold Platinum Custom

Customer confirms selection of the maintenance package indicated for the price and duration specified. Customer accepts and agrees to the attached Terex Terms and Conditions of Sale, which govern this transaction. In the event of early cancellation of this Agreement, Customer agrees that Terex shall be entitled to retain as liquidated damages, and not as a penalty, any fees paid in advance, which the parties agree reasonably approximate Terex's actual damages.

Customer signature: _____

Visit us at TEREX.com