

CPY Series - Version A

CPY250 LED Canopy/Soffit Luminaire

The CPY250 LED Canopy/Soffit Luminaire has a warranty that proves our confidence in a high quality product. Direct mounting of this LED luminaire is highly recommended for all CPY250 luminaire applications. Applications: Business reception, lobby, waiting rooms, etc.

Performance Summary

Meets all IESNA, IESNA and approved IESNA standards.

Meets all IESNA, IESNA and approved IESNA standards.

Meets all IESNA, IESNA and approved IESNA standards.

Meets all IESNA, IESNA and approved IESNA standards.

Meets all IESNA, IESNA and approved IESNA standards.

Meets all IESNA, IESNA and approved IESNA standards.

Meets all IESNA, IESNA and approved IESNA standards.

Meets all IESNA, IESNA and approved IESNA standards.

Meets all IESNA, IESNA and approved IESNA standards.

Meets all IESNA, IESNA and approved IESNA standards.

Meets all IESNA, IESNA and approved IESNA standards.

Meets all IESNA, IESNA and approved IESNA standards.

Meets all IESNA, IESNA and approved IESNA standards.

Meets all IESNA, IESNA and approved IESNA standards.

Meets all IESNA, IESNA and approved IESNA standards.

Meets all IESNA, IESNA and approved IESNA standards.

Meets all IESNA, IESNA and approved IESNA standards.

Meets all IESNA, IESNA and approved IESNA standards.

Meets all IESNA, IESNA and approved IESNA standards.

Meets all IESNA, IESNA and approved IESNA standards.

Meets all IESNA, IESNA and approved IESNA standards.

Meets all IESNA, IESNA and approved IESNA standards.

Meets all IESNA, IESNA and approved IESNA standards.

Meets all IESNA, IESNA and approved IESNA standards.

Meets all IESNA, IESNA and approved IESNA standards.

Meets all IESNA, IESNA and approved IESNA standards.

Meets all IESNA, IESNA and approved IESNA standards.

Meets all IESNA, IESNA and approved IESNA standards.

Meets all IESNA, IESNA and approved IESNA standards.

Meets all IESNA, IESNA and approved IESNA standards.

Meets all IESNA, IESNA and approved IESNA standards.

Meets all IESNA, IESNA and approved IESNA standards.

Meets all IESNA, IESNA and approved IESNA standards.

Meets all IESNA, IESNA and approved IESNA standards.

Meets all IESNA, IESNA and approved IESNA standards.

Meets all IESNA, IESNA and approved IESNA standards.

Meets all IESNA, IESNA and approved IESNA standards.

Meets all IESNA, IESNA and approved IESNA standards.

Meets all IESNA, IESNA and approved IESNA standards.

Meets all IESNA, IESNA and approved IESNA standards.

Meets all IESNA, IESNA and approved IESNA standards.

Meets all IESNA, IESNA and approved IESNA standards.

Meets all IESNA, IESNA and approved IESNA standards.

Meets all IESNA, IESNA and approved IESNA standards.

Meets all IESNA, IESNA and approved IESNA standards.

Meets all IESNA, IESNA and approved IESNA standards.

Meets all IESNA, IESNA and approved IESNA standards.

Meets all IESNA, IESNA and approved IESNA standards.

Meets all IESNA, IESNA and approved IESNA standards.

Meets all IESNA, IESNA and approved IESNA standards.

Meets all IESNA, IESNA and approved IESNA standards.

Meets all IESNA, IESNA and approved IESNA standards.

Meets all IESNA, IESNA and approved IESNA standards.

Meets all IESNA, IESNA and approved IESNA standards.

Meets all IESNA, IESNA and approved IESNA standards.

Meets all IESNA, IESNA and approved IESNA standards.

Meets all IESNA, IESNA and approved IESNA standards.

Meets all IESNA, IESNA and approved IESNA standards.

Meets all IESNA, IESNA and approved IESNA standards.

Meets all IESNA, IESNA and approved IESNA standards.

Meets all IESNA, IESNA and approved IESNA standards.

Meets all IESNA, IESNA and approved IESNA standards.

Meets all IESNA, IESNA and approved IESNA standards.

Meets all IESNA, IESNA and approved IESNA standards.

Meets all IESNA, IESNA and approved IESNA standards.

Meets all IESNA, IESNA and approved IESNA standards.

Meets all IESNA, IESNA and approved IESNA standards.

Meets all IESNA, IESNA and approved IESNA standards.

Meets all IESNA, IESNA and approved IESNA standards.

Meets all IESNA, IESNA and approved IESNA standards.

Meets all IESNA, IESNA and approved IESNA standards.

Meets all IESNA, IESNA and approved IESNA standards.

Meets all IESNA, IESNA and approved IESNA standards.

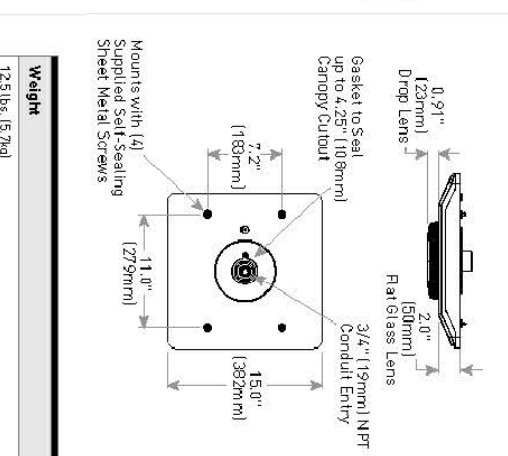
Meets all IESNA, IESNA and approved IESNA standards.

Meets all IESNA, IESNA and approved IESNA standards.

Meets all IESNA, IESNA and approved IESNA standards.

Meets all IESNA, IESNA and approved IESNA standards.

CPY Model



| Ordering Information | Product | Material | Type | Body Finish | Height | Color | Options |
|----------------------|---------|----------|------|-------------|--------|-------|---------|
| CPY250 A | PM | PM | PM | PM | PM | PM | PM |

CPY Series LED Canopy / Soffit Luminaire - Medium

1 CPY SERIES LED CANOPY / SOFFIT LUMINAIRE

OSQ™ LED Area/Flood Luminaire - Medium

Product Description

CONSTRUCTION & MATERIALS

• Cast aluminum housing with anodized finish.

• Anodized aluminum housing with anodized finish.

• Anodized aluminum housing with anodized finish.

• Anodized aluminum housing with anodized finish.

• Anodized aluminum housing with anodized finish.

• Anodized aluminum housing with anodized finish.

• Anodized aluminum housing with anodized finish.

• Anodized aluminum housing with anodized finish.

• Anodized aluminum housing with anodized finish.

• Anodized aluminum housing with anodized finish.

• Anodized aluminum housing with anodized finish.

• Anodized aluminum housing with anodized finish.

• Anodized aluminum housing with anodized finish.

• Anodized aluminum housing with anodized finish.

• Anodized aluminum housing with anodized finish.

• Anodized aluminum housing with anodized finish.

• Anodized aluminum housing with anodized finish.

• Anodized aluminum housing with anodized finish.

• Anodized aluminum housing with anodized finish.

• Anodized aluminum housing with anodized finish.

• Anodized aluminum housing with anodized finish.

• Anodized aluminum housing with anodized finish.

• Anodized aluminum housing with anodized finish.

• Anodized aluminum housing with anodized finish.

• Anodized aluminum housing with anodized finish.

• Anodized aluminum housing with anodized finish.

• Anodized aluminum housing with anodized finish.

• Anodized aluminum housing with anodized finish.

• Anodized aluminum housing with anodized finish.

• Anodized aluminum housing with anodized finish.

• Anodized aluminum housing with anodized finish.

• Anodized aluminum housing with anodized finish.

• Anodized aluminum housing with anodized finish.

• Anodized aluminum housing with anodized finish.

• Anodized aluminum housing with anodized finish.

• Anodized aluminum housing with anodized finish.

• Anodized aluminum housing with anodized finish.

• Anodized aluminum housing with anodized finish.

• Anodized aluminum housing with anodized finish.

• Anodized aluminum housing with anodized finish.

• Anodized aluminum housing with anodized finish.

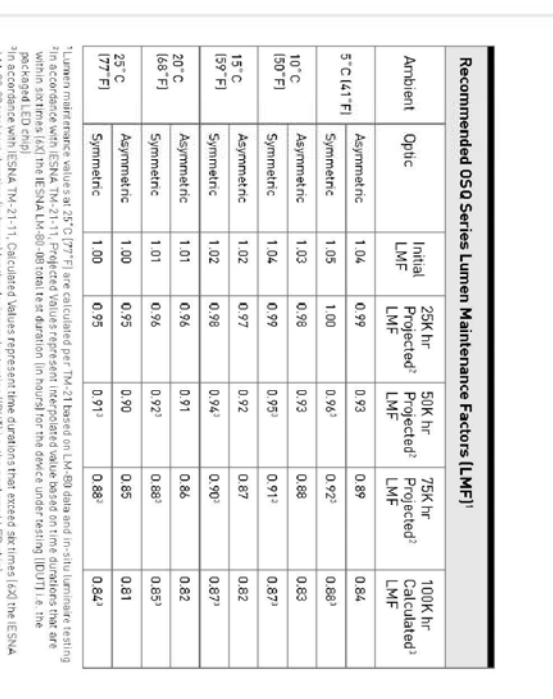
• Anodized aluminum housing with anodized finish.

• Anodized aluminum housing with anodized finish.

• Anodized aluminum housing with anodized finish.

| Electrical System | Power Factor | Input Voltage | Output Voltage | Output Current | Output Power | Output Energy | Output Power Factor |
|-------------------|--------------|---------------|----------------|----------------|--------------|---------------|---------------------|
| 120V | 0.95 | 120V | 120V | 1.0A | 120W | 120Wh | 0.95 |

| Recommended Order System Luminaire Part Number (LUM) | Part Number | Part Number | Part Number | Part Number | Part Number | Part Number | Part Number |
|--|-------------|-------------|-------------|-------------|-------------|-------------|-------------|
| OSQ100 | OSQ100 | OSQ100 | OSQ100 | OSQ100 | OSQ100 | OSQ100 | OSQ100 |



OSQ Series LED Area/Flood Luminaire - Medium



OSQ Series LED Area/Flood Luminaire - Medium

OSQ Series LED Area/Flood Luminaire - Medium

OSQ Series LED Area/Flood Luminaire - Medium

OSQ Series LED Area/Flood Luminaire - Medium

OSQ Series LED Area/Flood Luminaire - Medium

XSP Series

XSPW™ LED Wall Pack Luminaire



Making the Switch to LED Lighting an Easy Decision

OUTSTANDING Performance
Capable of replacing 70W - 175W metal halide wall packs, the XSPW Wall Pack offers a safe and inviting site.

MAXIMUM Lighting Value
The XSPW LED Wall Pack offers the best performance for your site lighting needs at remarkably attractive price points. And it's backed by our industry leading 10-year limited warranty.

OPTICAL Precision
Featuring our NanoOptic™ Precision Delivery Grid™ optic, the XSPW Wall Pack is designed for application-based performance that delivers light precisely where it's needed. The optical precision and efficient design help maximize energy savings.

EASY Installation
Designed with versatility in mind, the XSPW Wall Pack can seamlessly switch to a variety of configurations. Options for surface or through-wiring from top, side or rear makes replacing existing wall-mounted Metal Halide wall packs simple and easy.

2 XPS SERIES EXTERIOR LED WALL PACK

OSQ Series

Product Description

CONSTRUCTION & MATERIALS

• Cast aluminum housing with anodized finish.

• Anodized aluminum housing with anodized finish.

• Anodized aluminum housing with anodized finish.

• Anodized aluminum housing with anodized finish.

• Anodized aluminum housing with anodized finish.

• Anodized aluminum housing with anodized finish.

• Anodized aluminum housing with anodized finish.

• Anodized aluminum housing with anodized finish.

• Anodized aluminum housing with anodized finish.

• Anodized aluminum housing with anodized finish.

• Anodized aluminum housing with anodized finish.

• Anodized aluminum housing with anodized finish.

• Anodized aluminum housing with anodized finish.

• Anodized aluminum housing with anodized finish.

• Anodized aluminum housing with anodized finish.

• Anodized aluminum housing with anodized finish.

• Anodized aluminum housing with anodized finish.

• Anodized aluminum housing with anodized finish.

• Anodized aluminum housing with anodized finish.

• Anodized aluminum housing with anodized finish.

• Anodized aluminum housing with anodized finish.

• Anodized aluminum housing with anodized finish.

• Anodized aluminum housing with anodized finish.

• Anodized aluminum housing with anodized finish.

• Anodized aluminum housing with anodized finish.

• Anodized aluminum housing with anodized finish.

• Anodized aluminum housing with anodized finish.

• Anodized aluminum housing with anodized finish.

• Anodized aluminum housing with anodized finish.

• Anodized aluminum housing with anodized finish.

• Anodized aluminum housing with anodized finish.

• Anodized aluminum housing with anodized finish.

• Anodized aluminum housing with anodized finish.

• Anodized aluminum housing with anodized finish.

• Anodized aluminum housing with anodized finish.

• Anodized aluminum housing with anodized finish.

• Anodized aluminum housing with anodized finish.

• Anodized aluminum housing with anodized finish.

• Anodized aluminum housing with anodized finish.

• Anodized aluminum housing with anodized finish.

• Anodized aluminum housing with anodized finish.

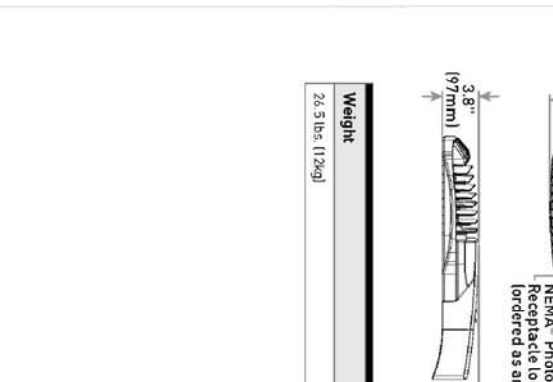
• Anodized aluminum housing with anodized finish.

• Anodized aluminum housing with anodized finish.

• Anodized aluminum housing with anodized finish.

| Electrical System | Power Factor | Input Voltage | Output Voltage | Output Current | Output Power | Output Energy | Output Power Factor |
|-------------------|--------------|---------------|----------------|----------------|--------------|---------------|---------------------|
| 120V | 0.95 | 120V | 120V | 1.0A | 120W | 120Wh | 0.95 |

| Recommended Order System Luminaire Part Number (LUM) | Part Number | Part Number | Part Number | Part Number | Part Number | Part Number | Part Number |
|--|-------------|-------------|-------------|-------------|-------------|-------------|-------------|
| OSQ100 | OSQ100 | OSQ100 | OSQ100 | OSQ100 | OSQ100 | OSQ100 | OSQ100 |



OSQ Series LED Area/Flood Luminaire - Medium



OSQ Series LED Area/Flood Luminaire - Medium

OSQ Series LED Area/Flood Luminaire - Medium

OSQ Series LED Area/Flood Luminaire - Medium

OSQ Series LED Area/Flood Luminaire - Medium

OSQ Series LED Area/Flood Luminaire - Medium

HOLM dCREST-13 LED DIRECTIONAL FLOOD



LED DIRECTIONAL FIXTURES

dCrest-13

Unique inside and out, Crest's curvilinear, organic shape reflects its coastal design inspiration. Crest's form begins as an raised square that gently transitions to a circle. Inside, a removable circular sleeve houses all components for easy access and servicing. Simply remove the front cap, twist the handle, and remove.

Quick Facts

- Die-cast aluminum
- Two-layer marine-grade anodization and powder coat finish
- Marine LED Module
- Protein adjustability
- Temper resistant cartridge
- Removable lighting cartridge
- Dimming: Phase 0-10V
- Input voltage: 100-277V
- IP 66

ARCHITECTURAL & LANDSCAPE LIGHTING | holmlighting.com

3 HOLM dBECKON-26 LED IN GRADE UPLIGHT FLOOD



LED IN-GRADE LUMINAIRE

dBeckon-26

Adjustable angle in-grade light ranging from 700 to 2,000 lumens. Inside, a removable circular cartridge houses all components for easy access and servicing. Powder-coated and anodized aluminum construction.

Quick Facts

- Die-cast aluminum
- Two-layer marine-grade anodization and powder coat finish
- Marine LED Module
- Protein adjustability
- Adjust angle without breaking seal
- Temper resistant features
- Removable lighting cartridge
- Dimming: Phase 0-10V
- Input voltage: 100-277V
- IP67

ARCHITECTURAL & LANDSCAPE LIGHTING | holmlighting.com

PS Series

Product Description

CONSTRUCTION & MATERIALS

• Cast aluminum housing with anodized finish.

• Anodized aluminum housing with anodized finish.

• Anodized aluminum housing with anodized finish.

• Anodized aluminum housing with anodized finish.

• Anodized aluminum housing with anodized finish.

• Anodized aluminum housing with anodized finish.