

AMBER VALLEY COLLECTION

Amber Valley 13" LED Wall Light Textured Black

49622BKTLED (Black)

Project Name: **CLEARWATER**

Location: _____

Type: **A**

Qty: _____

Comments: _____

Certifications/Qualifications

Location Rating	Wet
Title 24 Compliant	Yes

Dimensions

Base Backplate	4.50 X 7.50
Chain/Stem Length	0.00"
Weight	4.40 LBS
Extension	7.50"
Height from center of Wall opening (Spec Sheet)	3.75"
Height	13.00"
Width	6.50"

Electrical

Input Voltage	Single(120)V
---------------	--------------

Mounting/Installation

Interior/Exterior	Exterior
Mounting Style	Wall Mount
Mounting Weight	3.25 LBS

Photometrics

Color Rendering Index	90.00
Color Temperature Range	3000.00
Delivered Lumens	800.00
Delivered Efficacy (Lumens/Watt)	47.00
Kelvin Temperature	3000.00

Primary Lamping

Dimmable	Yes
Expected Life Span	40000.00
Lamp Included	Integrated
Light Source	LED
Max or Nominal Watt	17W
# of Bulbs/LED Modules	1

Product/Ordering Information

Finish	Black
UPC	783927458764.00

Specifications

Diffuser Description	Etched Seeded
----------------------	---------------

Kichler

7711 East Pleasant Valley Road Cleveland, Ohio 44131-8010 Toll free: 866.558.5706 or kichler.com

Notes:

1) Information provided is subject to change without notice. All values are design or typical values when measured under laboratory conditions.
 2) Incandescent Equivalent: The incandescent equivalent as presented is an approximate number and is for reference only.

KICHLER®

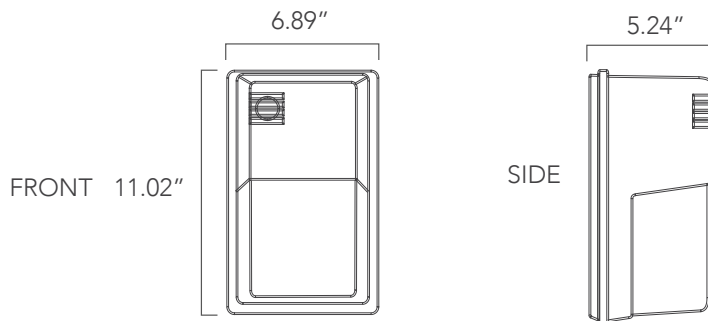


T620LED

SMALL INDUSTRIAL LED WALL PACK

JOB INFORMATION	TYPE: B
	CATALOG NO.
	PROJECT NAME: CLEARWATER
	COMMENTS:
	PREPARED BY:

DIMENSIONS



FEATURES

USE OF PRODUCT

The intended use of this product is for any outdoor commercial or industrial building accent, hallways, stairwells, or corridor applications.

HOUSING

- Bronze Polycarbonate Front Housing with Clear Prismatic Lens Area.
- 20mm coin plugs with O-rings for conduit and photocell.

FINISH

Matte-finished, architectural bronze powdercoat over a precise chromate conversion coating. Available in standard dark polyester bronze or consult factory for made to order architectural finishes.

OPTICS

Specular anodized aluminum reflector with clear ribbed polycarbonate lens area in front housing. Lens is sealed by a one-piece silicon gasket which prohibits entrance outside contaminants.

LED

High output LEDs offer a minimum estimated operating life of 50,000 hours in 3000K, 3500K, 4000K, or 5000K (standard) with CRI>83. LEDs placed on high performance aluminum heatsink for reduced junction temperatures and extended life.

DRIVER

Durable and long lasting LED driver operates at 120-277V and boasts a 90% power factor at 50 to



60 Hz with 0-10V Dimming Constant Current. Driver protections includes: Output open load, over-current and short-circuit, and over-temperature with auto recovery. 40°C Min Temp. 40°C Max Temp. Step down transformer may be utilized for 480V or 347V applications.

MOUNTING

Mounted over a 4" recessed outlet box or use a 1/2" surface conduit.

LISTINGS/COMPLIANCE

- CEC compliant emergency driver
- CSA - Suitable for wet locations

ORDERING INFO

T620LED					
Series	Watt/lumens	Voltage	Color Temperature	Finish	Options
T-SERIES LED	10 - 10W/1050 lm 18 - 18W/1890 lm 30 - 30W/3150 lm	UNI12-120V-277V 347 - 347V 480 - 480V	30 - 3000K 35 - 3500K 40 - 4000K 50 ¹ - 5000K	BZ ² - Bronze MTO ³ - Made to order	PC1 - Photocell 120V PC2 - Photocell 277V MS - Motion Sensor SDT - Step down transformer EM - Emergency battery SP10 - Surge protection 10KV

Wireless Control

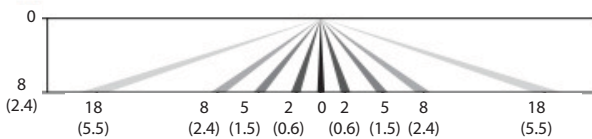
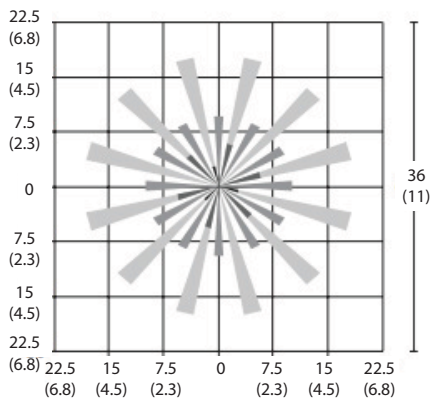
Notes:

1. Standard color temperature.
2. Standard finish.
3. RAL number required

- LPL - Lutron wireless radio module and sensor (low 8')
- LPM - Lutron wireless radio module and sensor (medium 20')
- LPF - Lutron wireless radio module only

PIR Height

LPL - Lutron wireless radio module and sensor (low mounting height 8ft)



LPM - Lutron wireless radio module and sensor (medium mounting height 20ft)

