



12690 W. GREENBRIAR LN.
 NEW BERLIN, WI 53151
 PH : (262) 751-5221
 FAX: (262) 754-4058
 RAPOSADESIGN@GMAIL.COM

COPYRIGHT RAPOSA DESIGN, 2017. ALL RIGHTS RESERVED - THIS DRAWING IS NOT TO BE REPRODUCED, CHANGED, COPIED OR ASSIGNED TO ANY THIRD PARTY IN ANY FORM OR MANNER WITHOUT FIRST OBTAINING THE EXPRESSED WRITTEN PERMISSION OF RAPOSA DESIGN. THE CLIENT AGREES TO INDEMNIFY AND HOLD RAPOSA DESIGN HARMLESS FROM ANY DAMAGES, LIABILITY, OR COSTS, INCLUDING ATTORNEY'S FEES AND COSTS OF DEFENSE ARISING FROM ANY CHANGES OR ALTERATIONS MADE BY ANYONE OTHER THAN RAPOSA DESIGN OR FROM ANY REUSE OF THE DRAWINGS OR DATA WITHOUT THE PRIOR WRITTEN CONSENT OF RAPOSA DESIGN.

REDEMPTION FITNESS
 2125 S. West Avenue
 Waukesha, WI

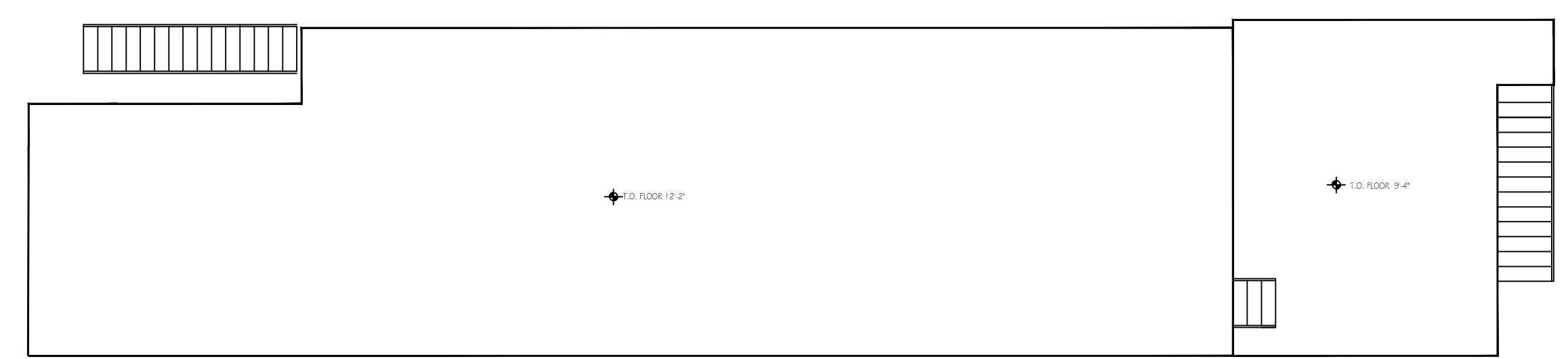
SHEET TITLE
Floor Plan, Mezzanine Plan
 Schedules & Details

DATE OF ISSUE 08/02/21

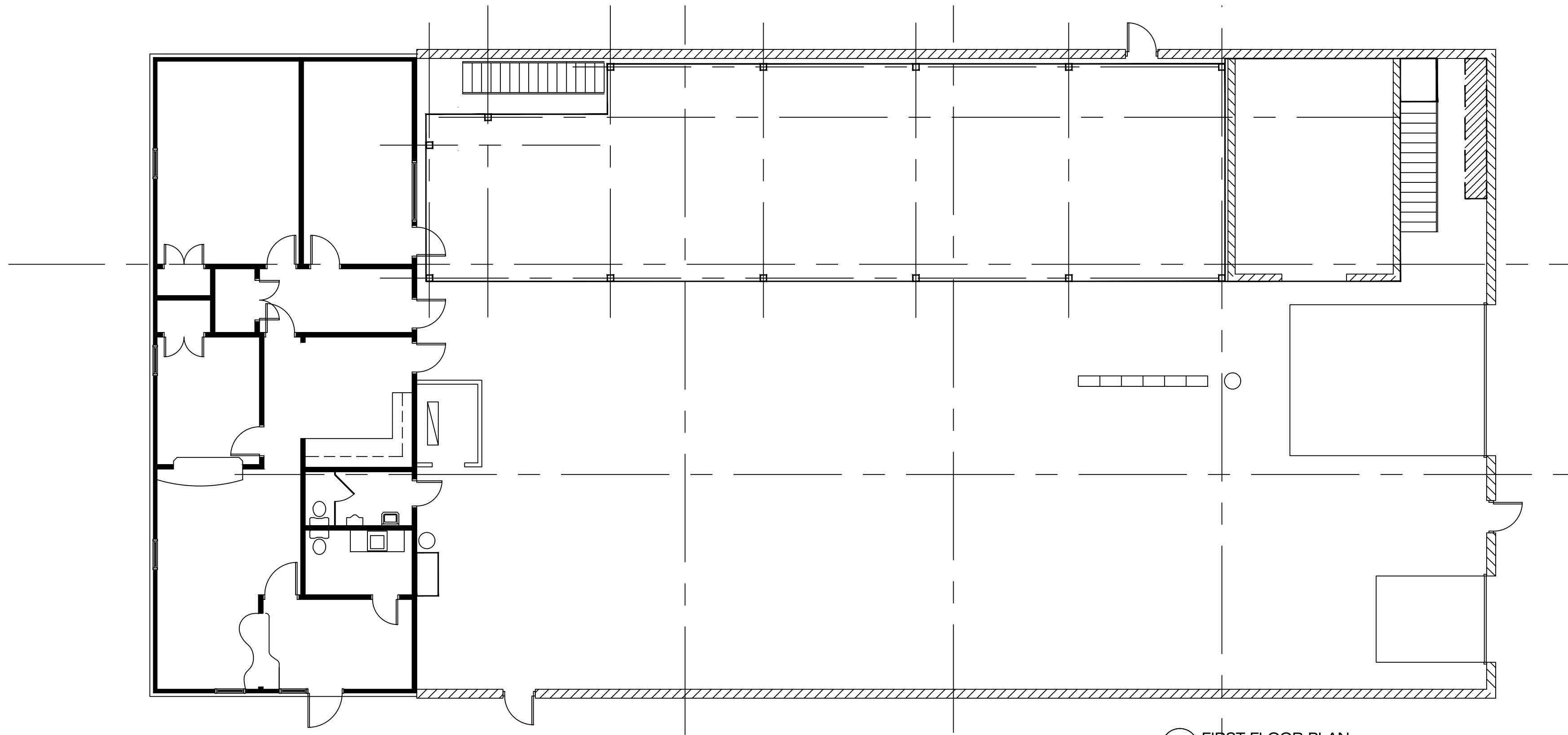
SYMBOL	REVISION DESCRIPTION	DATE

JOB: RD148.21
 DRAWN: RJA
 CHECKED: SJA
 DATE: 08/25/21

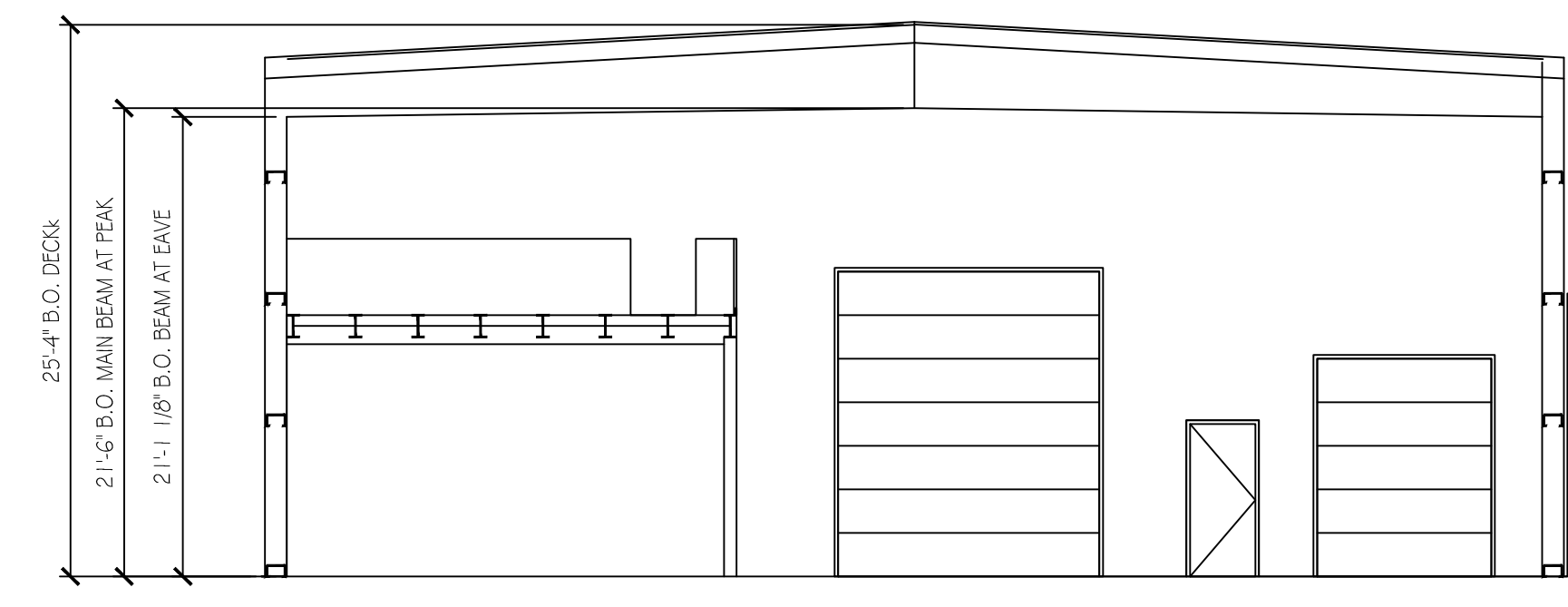
SHEET:
A1



2 MEZANINE PLAN
 1/8"=1'-0"



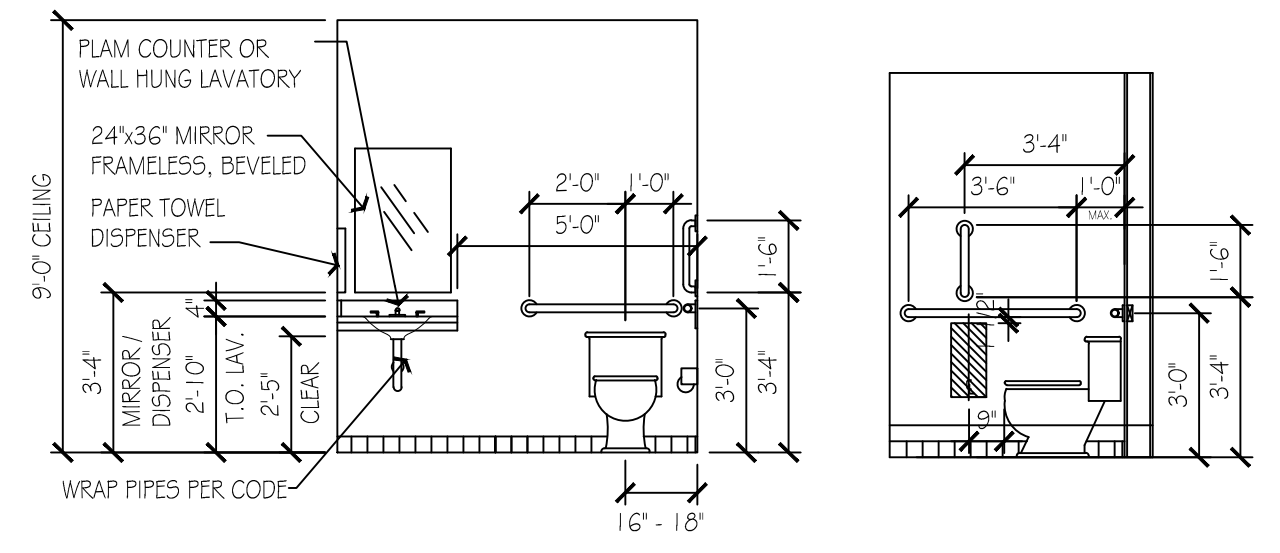
1 FIRST FLOOR PLAN
 1/8"=1'-0"



1 CROSS SECTION
 1/8"=1'-0"

TAG	STUD TYPE	STUD HEIGHT	INSULATION	VAPOR BARRIER	NOTED SIDE SURFACE MATERIAL	NOTED SIDE SURFACE HEIGHT	OPPOSITE SIDE SURFACE MATERIAL	OPPOSITE SIDE SURFACE HEIGHT
A	3-5/8" MTL 25 GA. STUDS 16' O.C.	Bottom of Ceiling Grd (11'-4")	45 STC SOUND BATT	----	5/8" GYPSUM WALLBOARD	Bottom of Ceiling Grd (11'-4")	5/8" GYPSUM WALLBOARD	Bottom of Ceiling Grd (11'-4")
B	3-5/8" MTL 25 GA. STUDS 16' O.C.	Bottom of Ceiling Grd (11'-4")	----	----	5/8" GYPSUM WALLBOARD	Bottom of Ceiling Grd (11'-4")	5/8" GYPSUM WALLBOARD	Bottom of Ceiling Grd (11'-4")

1. ALL EXPOSED GYPSUM WALL BOARD SHALL BE TYPE X AND SHALL BE TAPED & COATED SMOOTH, READY FOR PAINT.



5 ADA Mounting Heights & Clearances
 1/4"=1'-0"

FLOOR & CEILING PLAN LEGEND

- ROOM NAME
ROOM NUMBER
- 100 DOOR NUMBER
- ▲ PARTITION TYPE
- PHONEDATA FORT
- ⊕ OUTLET 1 8" A.F.F.
- ⊕ GFI GROUND FAULT INTERRUPT RECEPTACLE
- ⊕ D DEDICATED DUPLEX RECEPTACLE
- ⊕ S STANDARD QUAD RECEPTACLE
- ⊕ D DEDICATED QUAD RECEPTACLE (HEIGHT AS INDICATED)
- BPJ J BOX WITH 3 CIRCUITS (ONE DEDICATED FOR COMPUTERS) FOR USE WITH WORTH BASE FEED
- PP J BOX WITH 3 CIRCUITS (ONE DEDICATED FOR COMPUTERS) FOR USE WITH WORTH POWER POLE
- CP COMMUNICATION POLE TO BE INSTALLED BY FURNITURE INSTALLER.
- ▲ LOCATION FOR DATA/COMMUNICATIONS - PROVIDE TWO GANG J BOXES WITH SINGLE PLASTER RING WITH PULL STRING @ 1 8" CL. A.F.F.
- ▲ PHONE JACK
- ⊕ DOORBELL @ 44" A.F.F.
- ⊕ CHIME FOR DOORBELL @ 90" A.F.F. (7'-6") NOTE: MORE THAN ONE CHIME MAY BE INDICATED.
- E EXISTING ITEM TO BE FIELD VERIFIED.
- ⊗ EXIT LIGHT
- 100 NEW OR RELOCATED DOOR & FRAME
- ▲ EXISTING DOOR TO REMAIN
- ▲ EXISTING DOOR TO BE REMOVED
- NEW WALL CONSTRUCTION
- EXISTING WALL CONSTRUCTION
- - - EXISTING WALL TO BE REMOVED
- CEILING GRID W/2X4 ACOUSTIC CEILING TILES
- CEILING GRID W/2X2 VINYL FACED CEILING TILES
- F.E. SURFACE MOUNTED FIRE EXTINGUISHER
- \$ SINGLE POLE SWITCH
- \$\$ DOUBLE WALL SWITCH
- § DIMMER SWITCH
- §§ 3-WAY SWITCH
- FEC FIRE EXTINGUISHER CABINET
- EXHAUST FAN