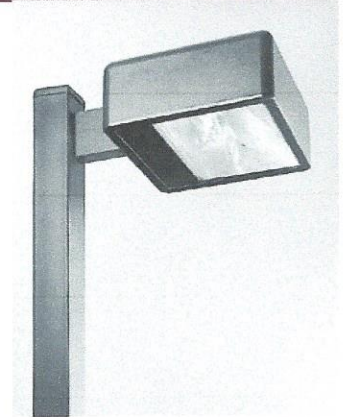
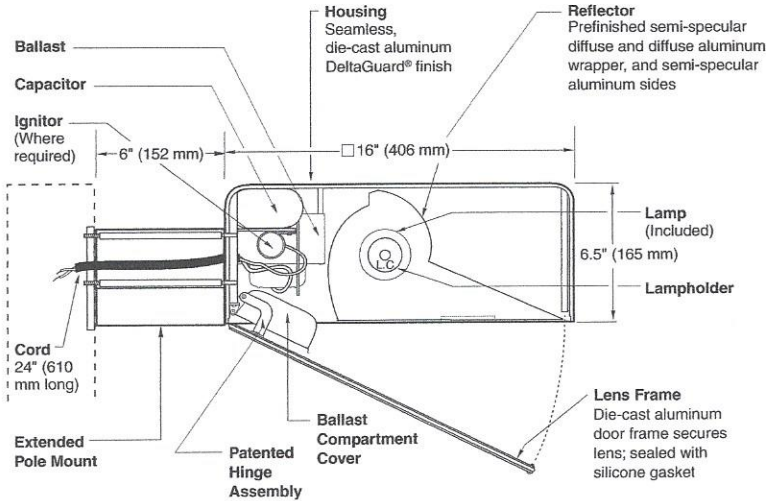


6" EXTENDED POLE MOUNT

16" (406 mm) AREA CUTOFF LIGHT

AC2-16
SERIES



Notes

SPEC #	WATTAGE	CATALOG #
PULSE START METAL HALIDE		
<input type="checkbox"/> SPEC #	150W PSMH	AC2615-(a)(b)
<input type="checkbox"/> SPEC #	200W PSMH	AC2620-(a)(b)
<input type="checkbox"/> SPEC #	250W PSMH	AC2625-(a)(b)
<input type="checkbox"/> SPEC #	320W PSMH	AC2632-(a)(b)
<input type="checkbox"/> SPEC #	350W PSMH	AC2635-(a)(b)
<input type="checkbox"/> SPEC #	400W PSMH	AC2640-(a)(b)
HIGH PRESSURE SODIUM		
<input type="checkbox"/> SPEC #	250W HPS	AC2525-(a)(b)
<input checked="" type="checkbox"/> SPEC #	400W HPS	AC2540-(a)(b)

Specify (a) Voltage & (b) Options.
 Ⓢ Reduced envelope ED28 lamp.

(a) VOLTAGE SUFFIX KEY	
M	120/208/240/277V (Standard) ←
T	120/277/347V (Canada Only) (Standard)
1	120V
2	277V
27	277V Reactor (PSMH Only)
3	208V
4	240V
5	480V
6	347V (Canada Only)

For voltage availability outside the US and Canada, see Bulletin TD-9 or contact your Ruud Lighting authorized International Distributor.

(b) OPTIONS (factory-installed)	
-(a)F	Fusing
-(a)P	Button Photocell
-5P	External Photocell (for 480V)
Q	Quartz Standby (includes 100W quartz lamp) (N/A on 277V Reactor)

Specify (a) Single Voltage — See Voltage Suffix Key

GENERAL DESCRIPTION

60° forward throw sharp cutoff luminaire for HID lamp, totally enclosed. Housing is seamless, die-cast aluminum. Mounting consists of a 1.8" (44 mm) wide by 4.5" (114 mm) high by 6" (152 mm) long extruded aluminum arm. The arm is held in place with two 3/8" (9 mm) mounting rods fastened to a steel backing plate inside the pole, and by two nuts inside the fixture housing. Mounting rods are provided with sealing washers to prevent water leakage. Lens assembly consists of rigid aluminum frame and high-impact, clear-tempered glass.

ELECTRICAL

Fixture includes clear, mogul-base lamp; 320 – 400W PSMH utilize the ED28 reduced envelope lamp. Pulse-rated porcelain enclosed, 4kv-rated screw-shell-type lampholder with spring-loaded center contact and lamp grips. Lamp ignitor included. All ballast assemblies are high-power factor and use the following circuit type:

277V Reactor
150 – 400W PSMH
HX— High Reactance
150W PSMH

CWA — Constant Wattage Autotransformer
200 – 400W PSMH; 250 – 400W HPS

PATENTS

US 4,689,729; 4,709,312

FINISH

Exclusive Colorfast DeltaGuard® finish features an E-coat epoxy primer with medium bronze ultra-durable powder topcoat, providing excellent resistance to corrosion, ultraviolet degradation and abrasion. The finish is covered by our seven-year limited warranty.

LABELS

ANSI lamp wattage label supplied, visible during relamping. UL Listed in US and Canada for wet locations and enclosure classified IP65 per IEC 529 and IEC 598.

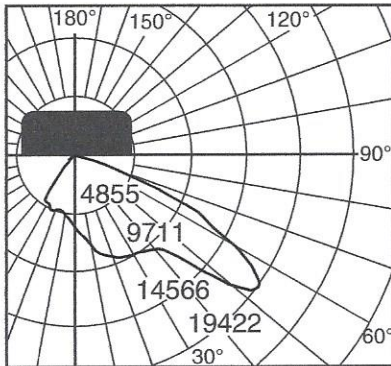
ACCESSORIES

FWG-16 Wire Guard
SBL-16 Backlight Shield

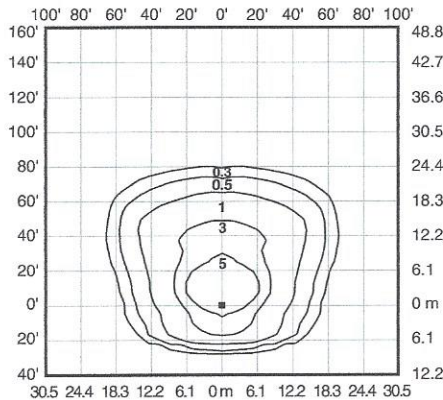
EPA RATING

EPA 0.95 for single fixture with 0° tilt (Consult factory for EPA rating on multiple units).

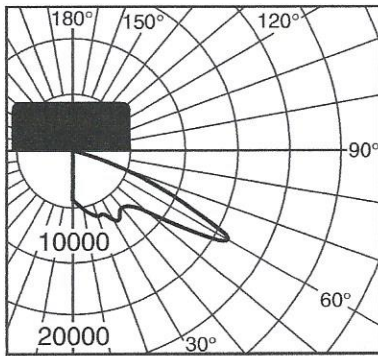
Isofootcandle plots show initial footcandles at grade. (Footcandles ÷ 0.0929 = Lux)



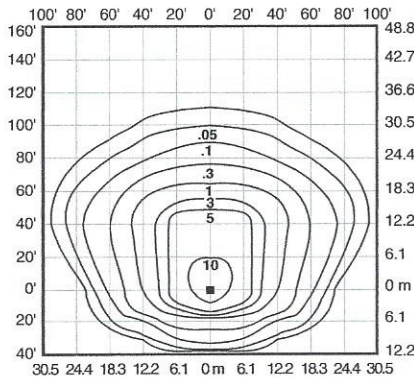
Candlepower distribution curve of 400W PSMH Area Cutoff Light without backlight shield.



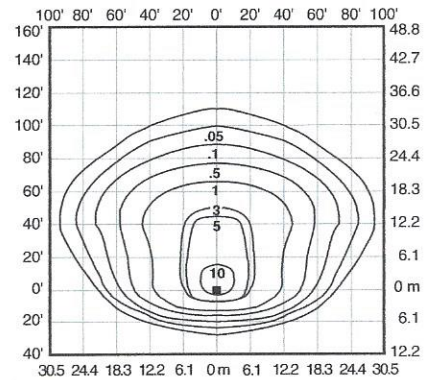
Isofootcandle plot of 400W PSMH Area Cutoff Light at 30' (9.1 m) mounting height, 0° vertical tilt, with backlight shield removed. (Plan view)



Lighting Sciences Inc.
Certified Test Report No. LSI 10246
Candlepower distribution curve of 250W HPS Area Cutoff Light without backlight shield.

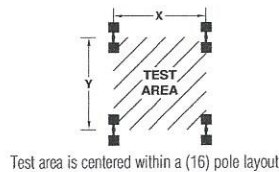


Isofootcandle plot of 400W HPS Area Cutoff Light at 25' (7.6 m) mounting height, 0° vertical tilt, with backlight shield removed. (Plan view)



Isofootcandle plot of 400W HPS Area Cutoff Light at 25' (7.6 m) mounting height, 0° vertical tilt, with backlight shield located for backlight cutoff. (Plan view)

Pole-spacing Example Data



Average Initial Light Levels at Grade
2 Fixtures per pole @ 180°
(Footcandles ÷ 0.0929 = Lux)

Catalog #	Lamp Type	Lamp Lumens	Mounting Height	Max. Recommended Pole-spacing		Footcandles	Lux
				X	Y		
AC2615-M	150W PSMH	12,000	15' (4.6 m)	60' (18.3 m)	85' (25.9 m)	3.56	38
			20' (6.1 m)	75' (22.9 m)	111' (33.5 m)	2.11	23
AC2625-M	250W PSMH	22,000	20' (6.1 m)	75' (22.9 m)	110' (33.5 m)	3.86	42
			25' (7.6 m)	95' (29.0 m)	140' (42.7 m)	2.31	25
AC2640-M	400W PSMH	40,000	25' (7.6 m)	95' (29.0 m)	140' (42.7 m)	4.20	45
			30' (9.1 m)	115' (35.1 m)	165' (50.3 m)	2.86	31
AC2525-M	250W HPS	28,500	20' (6.1 m)	75' (22.9 m)	110' (33.5 m)	4.83	52
			25' (7.6 m)	95' (29.0 m)	140' (42.7 m)	2.89	31
AC2540-M	400W HPS	50,000	25' (7.6 m)	95' (29.0 m)	140' (42.7 m)	5.08	55
			30' (9.1 m)	115' (35.1 m)	165' (50.3 m)	3.37	36