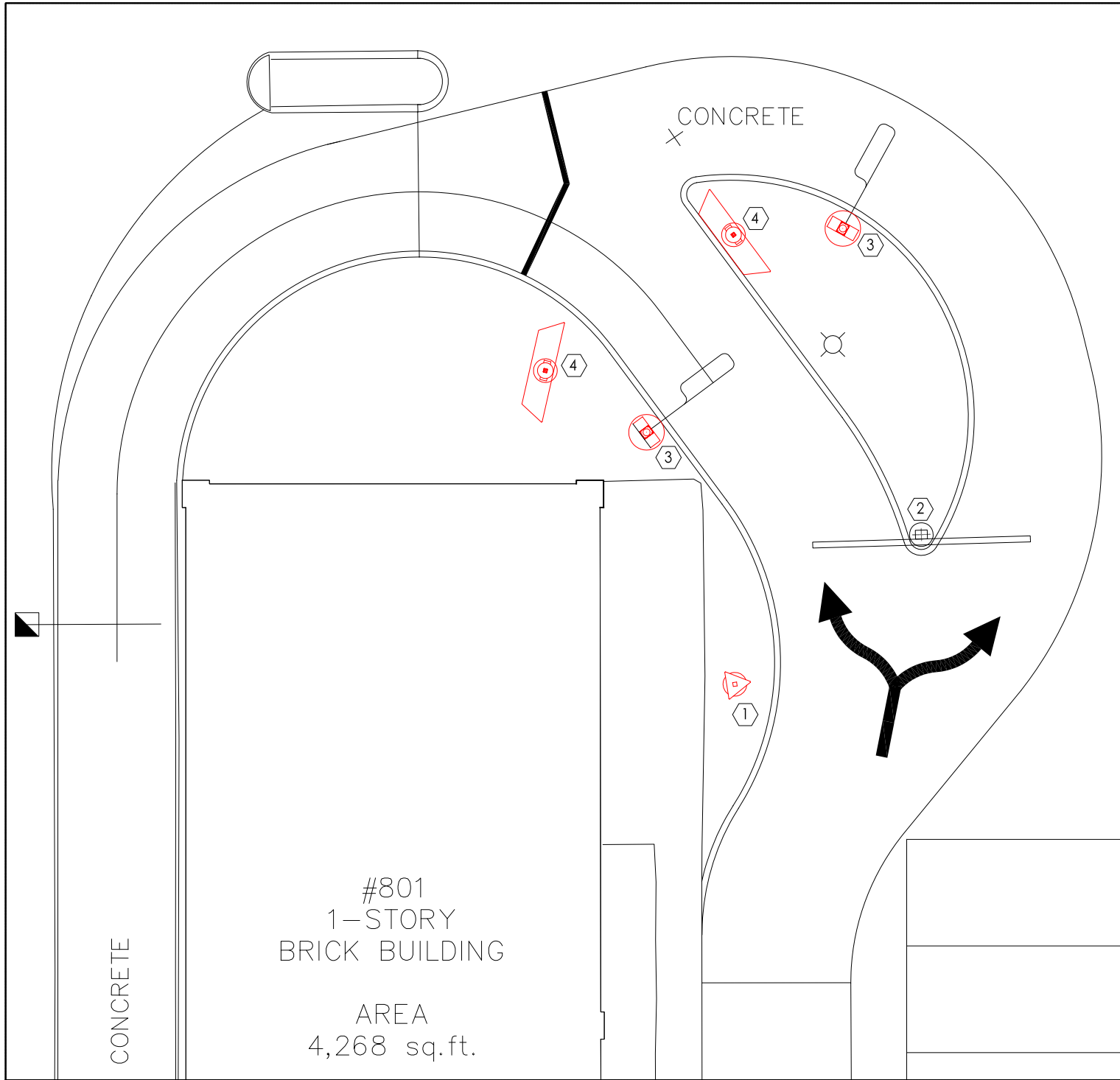


**Drive Thru**  
Clearance 9 Feet

**Drive Thru**  
Clearance 9 Feet

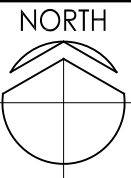
ANY LANE  
ANY TIME



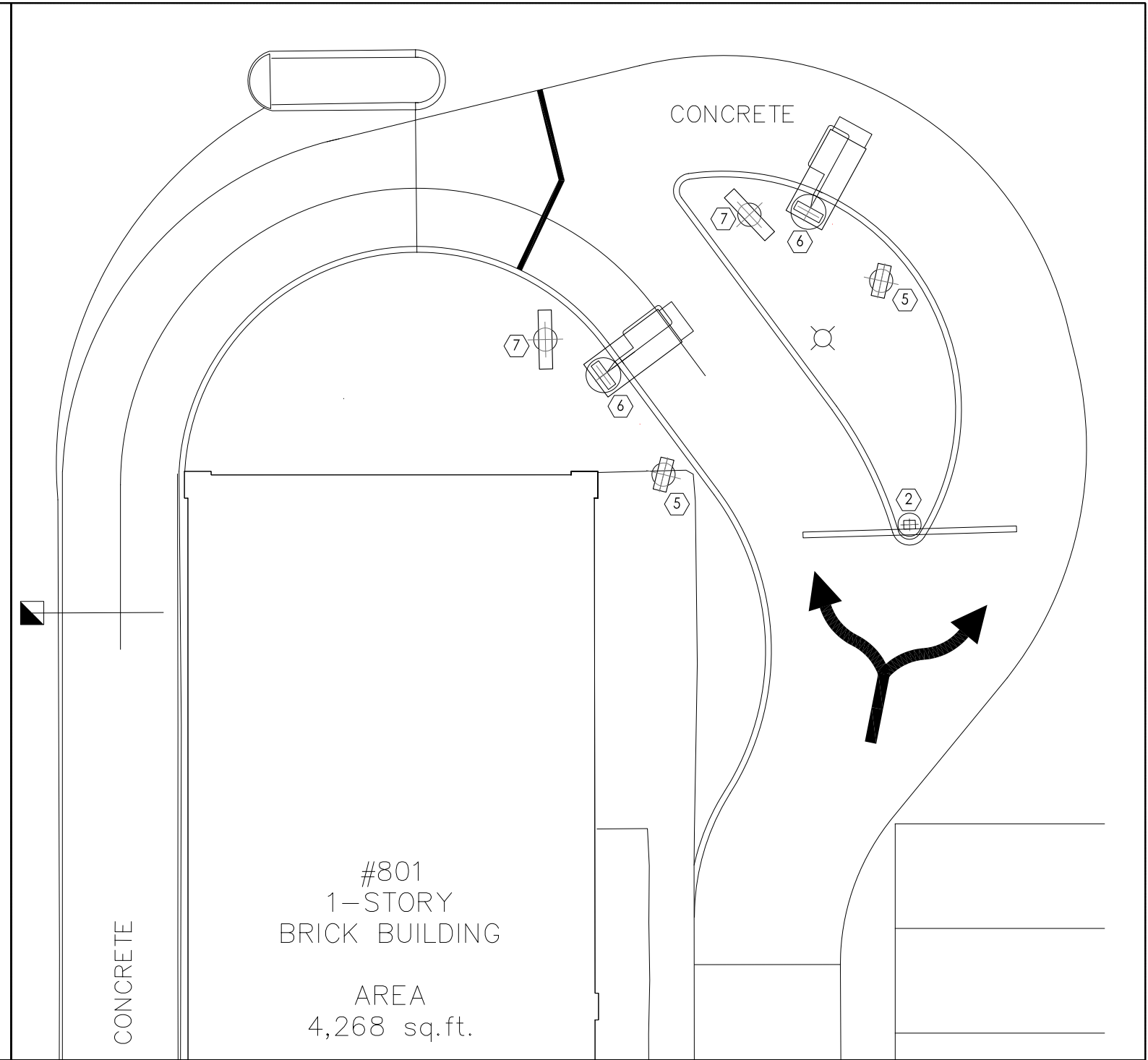


**SITE DEMO PLAN - KEY NOTED**

SCALE: 1" = 10'-0"

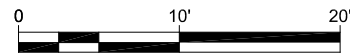


Drive-Thru Equipment Changes  
 McDonald's Major Remodel  
 801 Meadowbrook Road  
 Waukesha, WI 53188



**SITE LAYOUT PLAN - KEY NOTED**

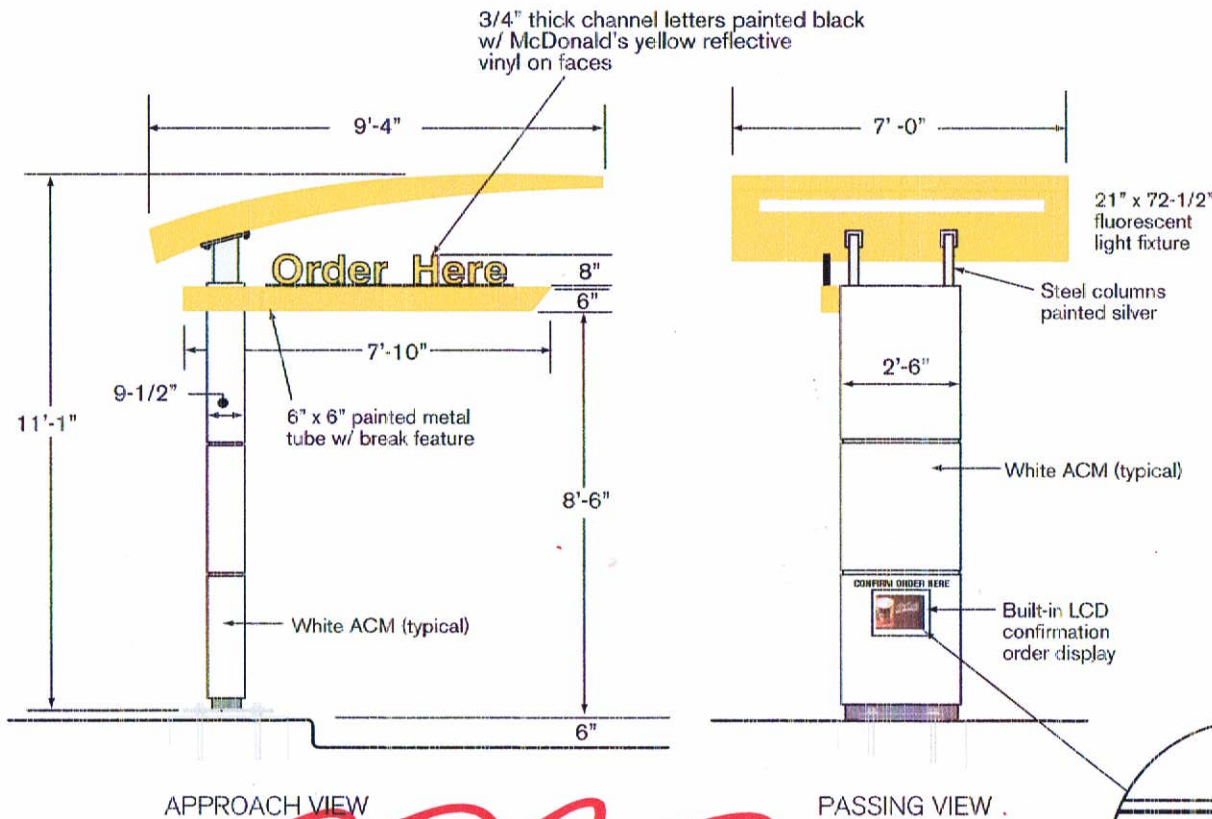
SCALE: 1" = 10'-0"



- ① DEMO PRE-BROWSE DISPLAY.
- ② DOUBLE ARM GATEWAY TO REMAIN.
- ③ DEMO STANDARD (NON-CANOPY) COD AND FOOTING.
- ④ DEMO OPO MENU BOARD AND FOOTING.
- ⑤ PRE-BROWSE MENU BOARD
- ⑥ SPRINGBOARD "DRIVE-THRU CANOPY WITH INTEGRATED SPEAKER.
- ⑦ ODM OUTDOOR DIGITAL MENU BOARD. SEE 4/SD-1.1.

# Drive-Thru Twin Pole Canopy w/ Built-In COD (Preferred)

## LCD Confirmation Order Display



- Illumination:** 4 - F72T12 CW/HO
- Electrical:** 15 Amp 120 Volt
- Ballast:** Fulham Workhorse 7
- Ship Weight:** 1300 lbs.
- Other:**
- Available with LED or LCD COD.
  - Spring loaded swing away 9' clearance arm
  - Illuminated awning provides a customer safe environment at night and protection from inclement weather

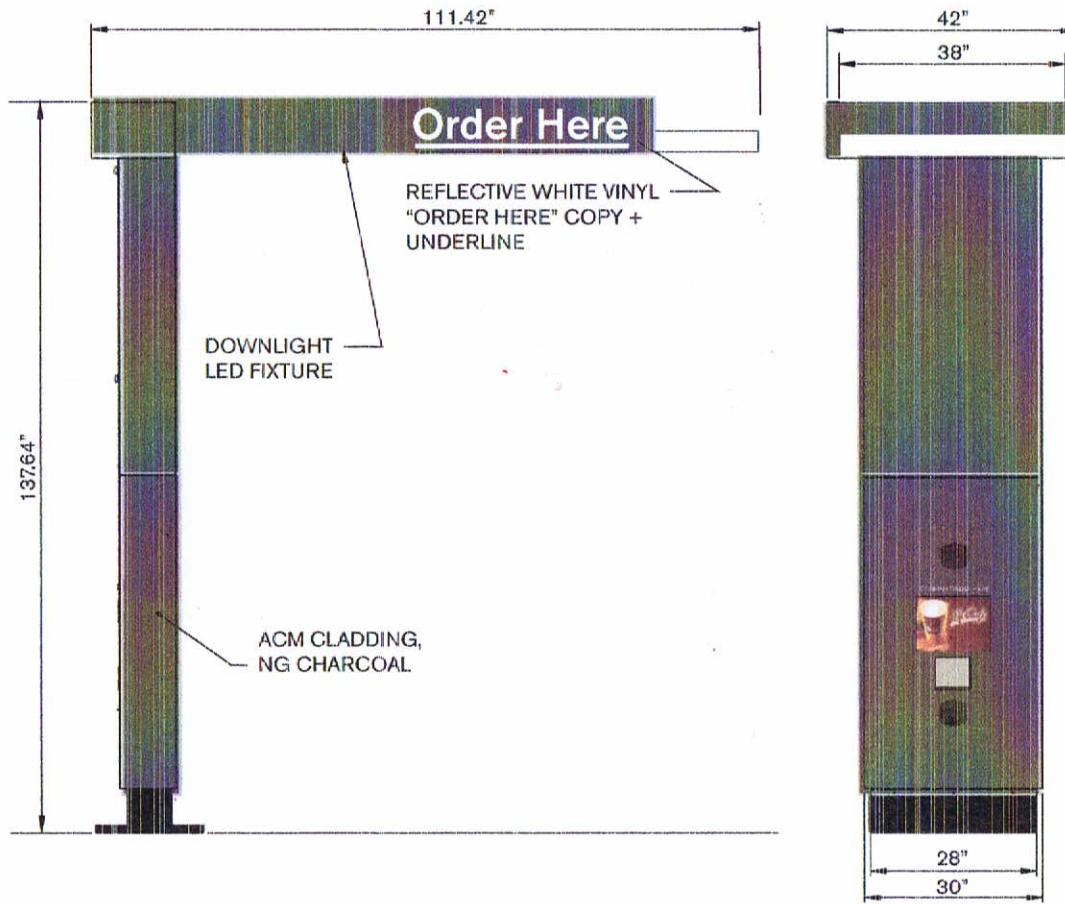


Built-in LCD confirmation order display

**REJECTED ON 2015  
DRIVE-THRU REMODEL,  
SEE SHEET 2.**

①

# Springboard Canopy Charcoal and White/COD



**Illumination:**

**Electrical:**

**Ballast:**

**Ship Weight:**

**Other:**

*PROPOSED W/  
NEW DRIVE-THRU  
EQUIPMENT.*

*2*

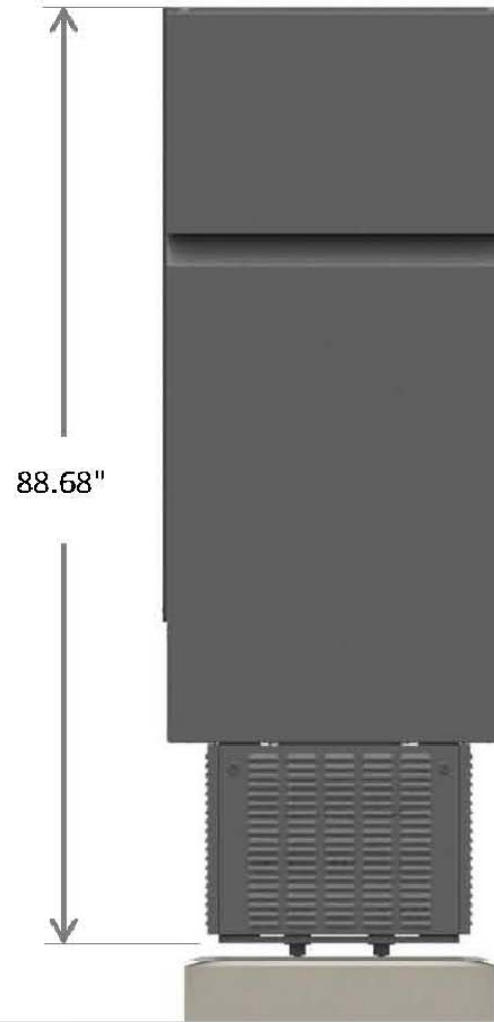
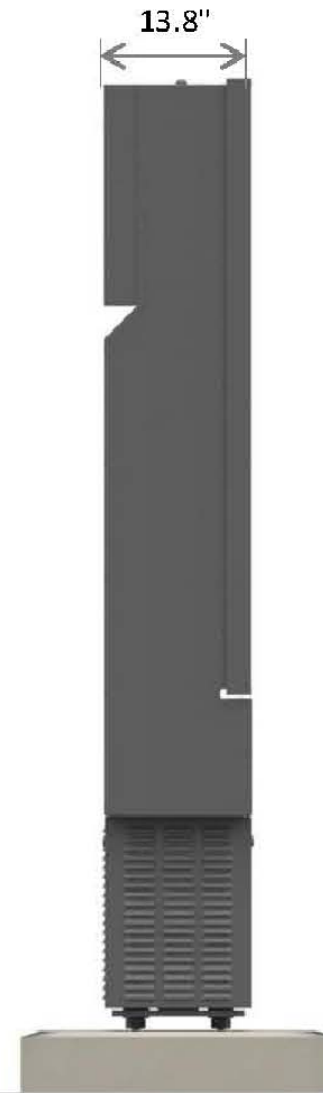
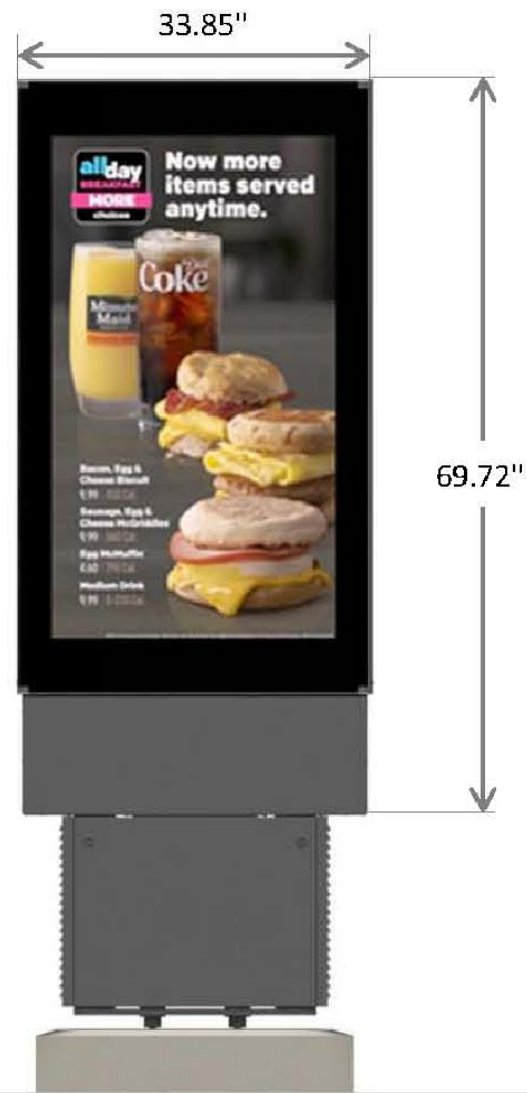
# G10 – Single Unit



Main display area

Depth

Total height including base structure



2  
SD-201

DIGITAL PRE-BROWSE BOARD  
N.T.S.

CHARCOAL

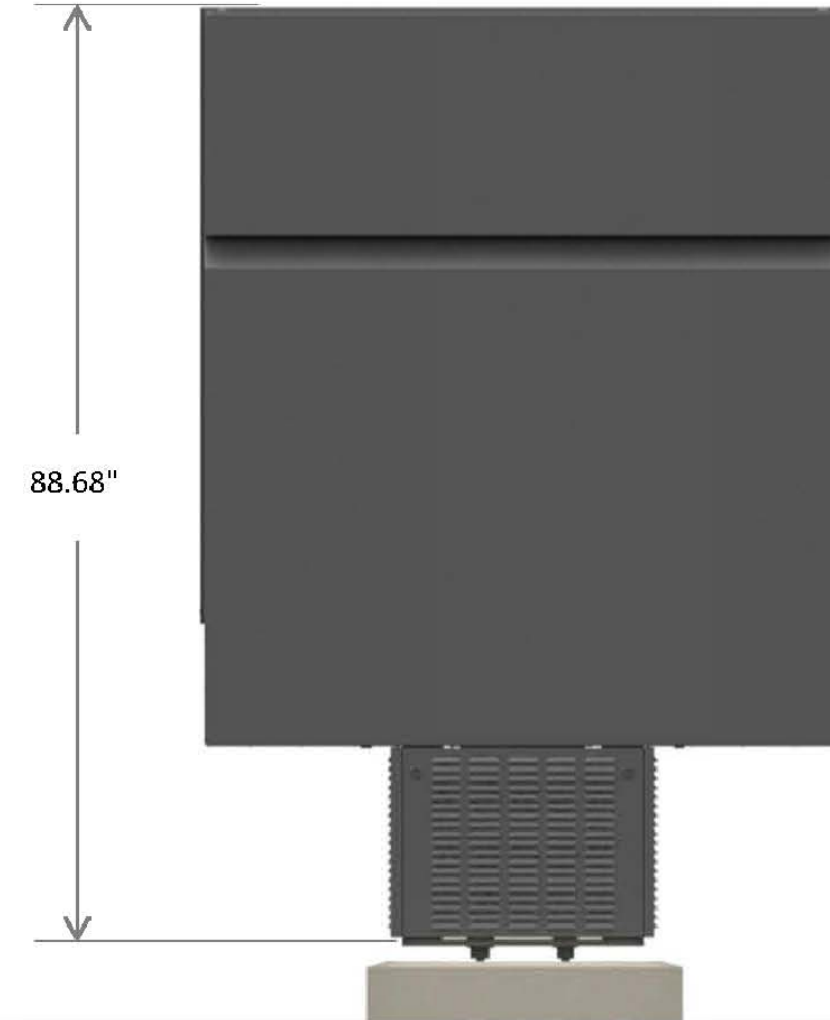
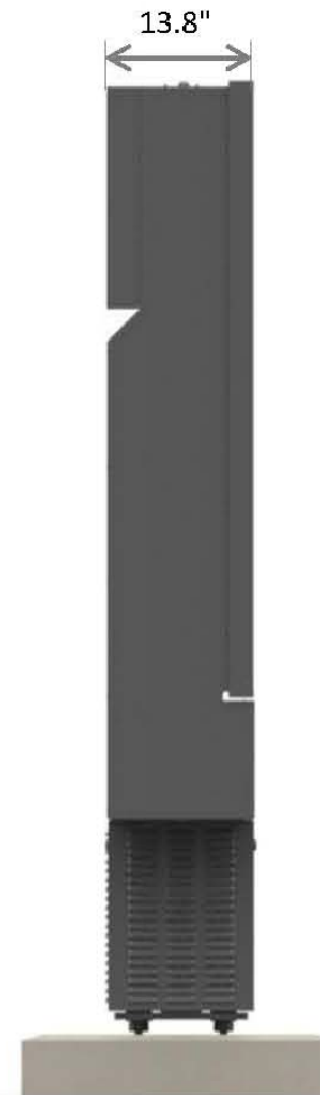
# G10 – Double Unit



Main display area

Depth

Total height including base structure



1  
SD-201

**DIGITAL MENU BOARD**  
**N.T.S.**

CHARCOAL