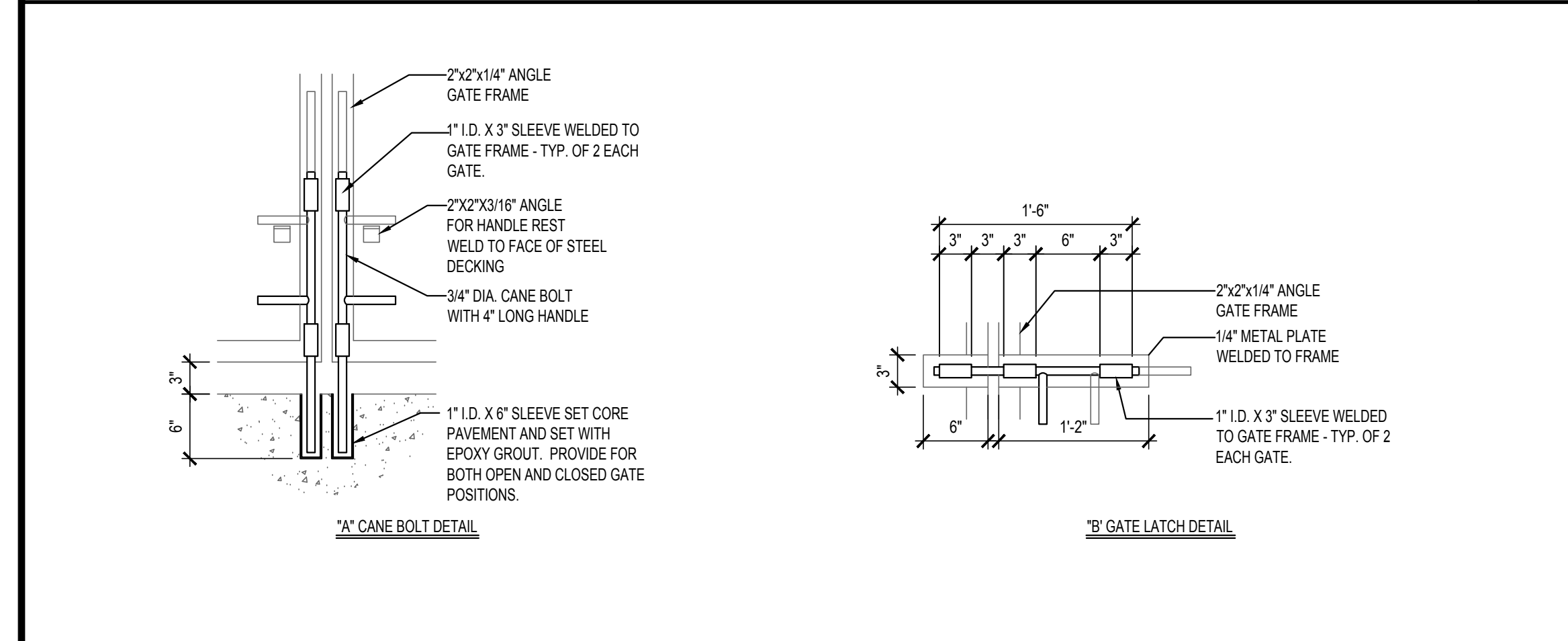


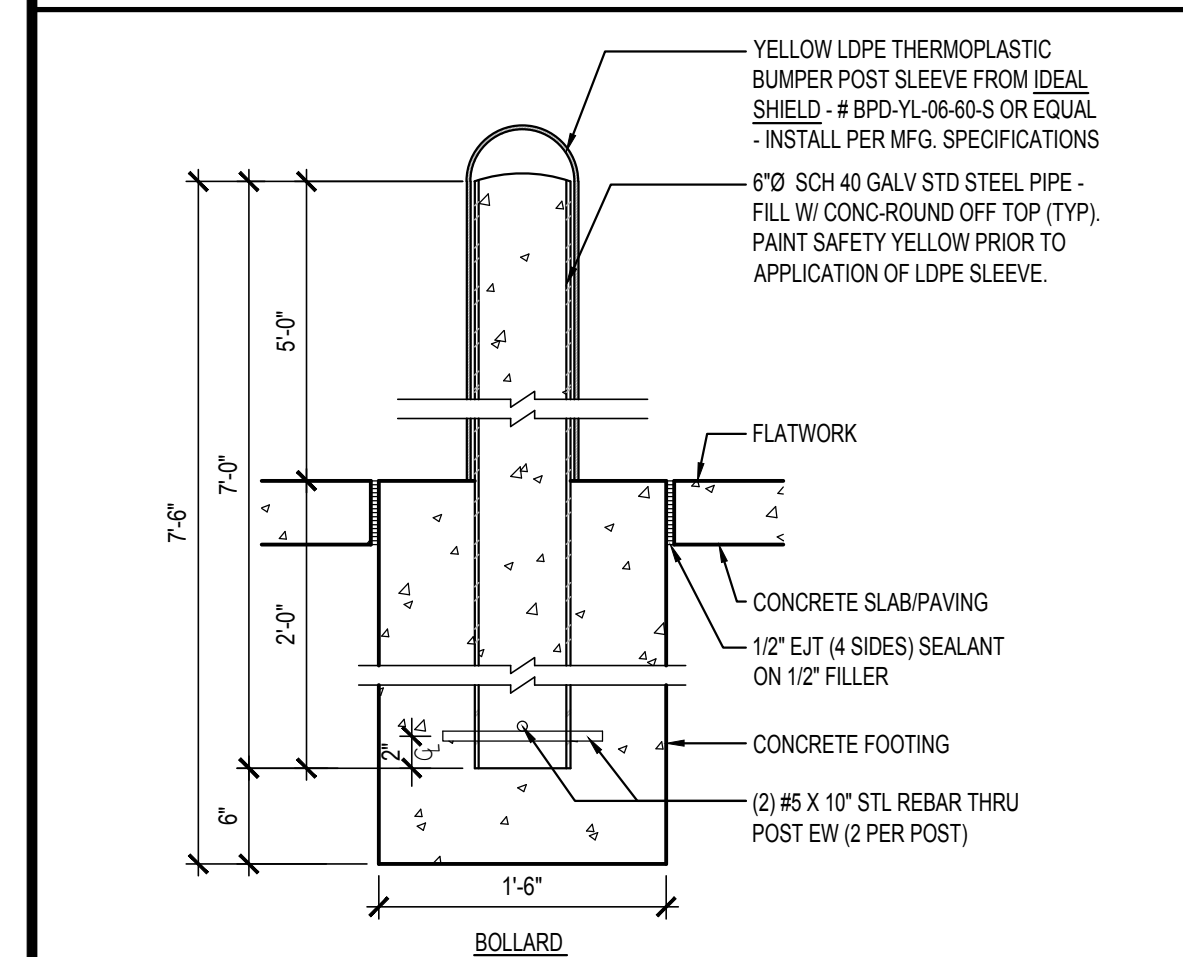
NOT USED 16

Scale: A-407



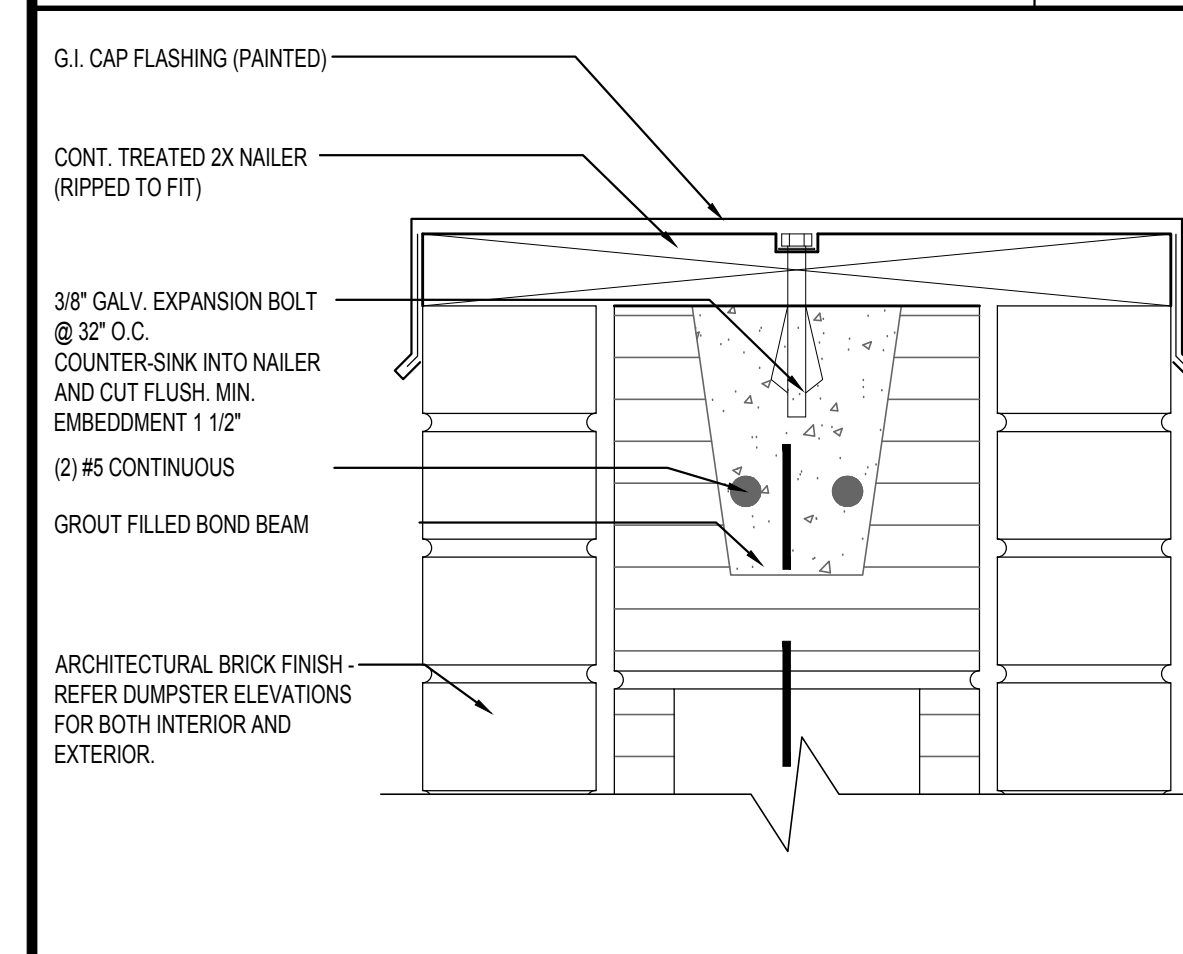
DUMPSTER GATE LATCH DETAILS 15

Scale= NTS A-407



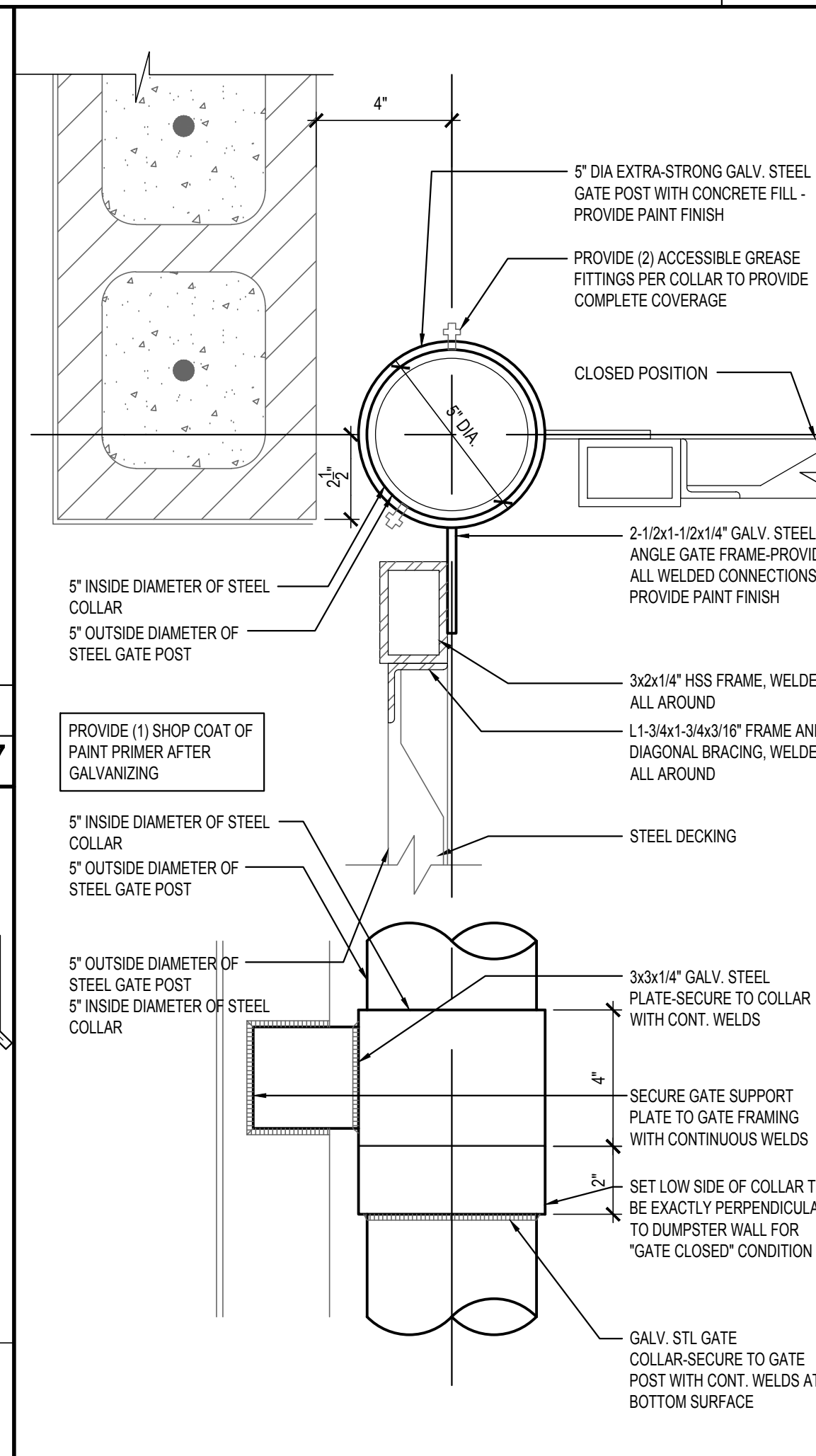
BOLLARD / POST BASE 18

Scale= 1\"/>



DUMPSTER CAP DETAIL 17

Scale= 3\"/>



HINGE DETAIL 13

Scale= 3\"/>



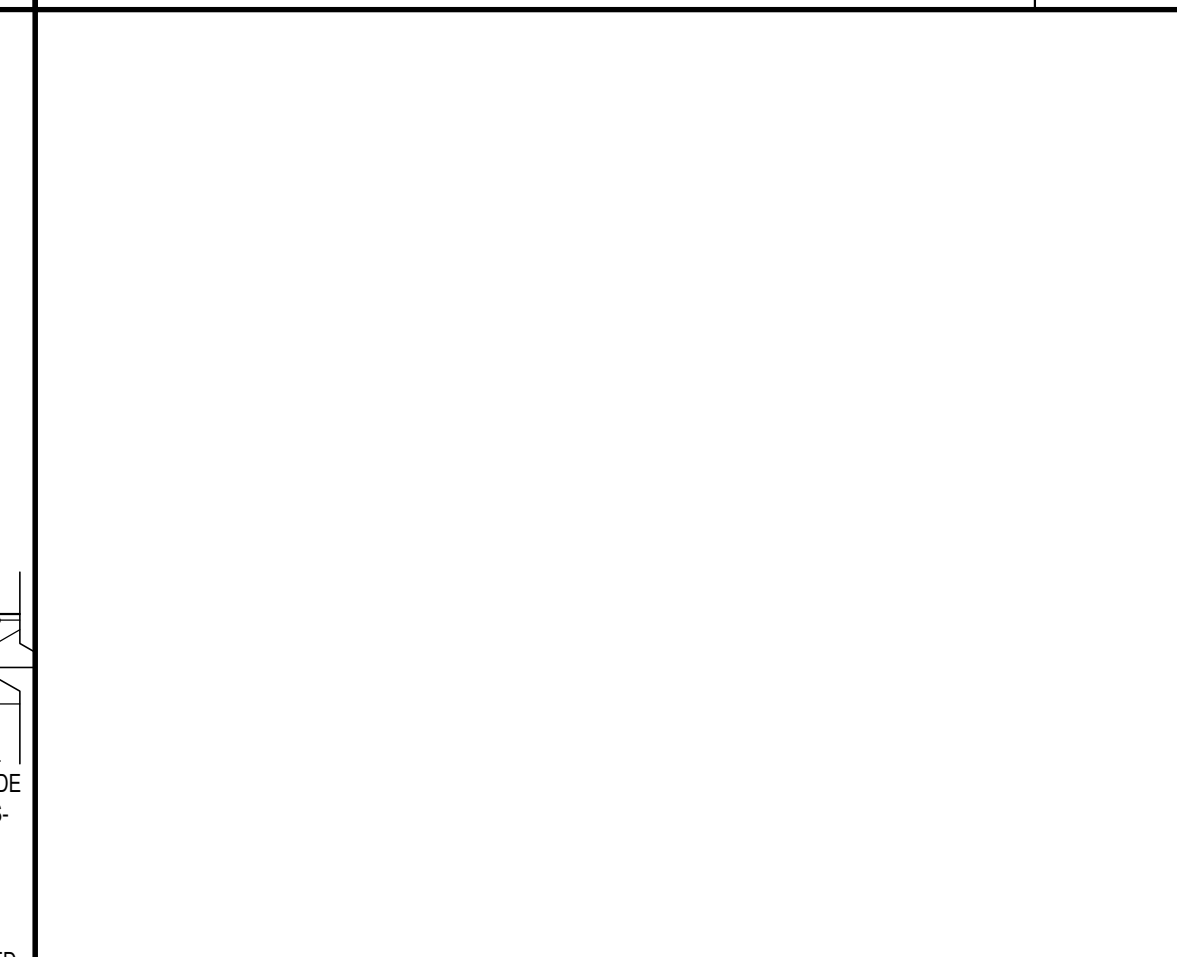
NOT USED 11

Scale: A-407



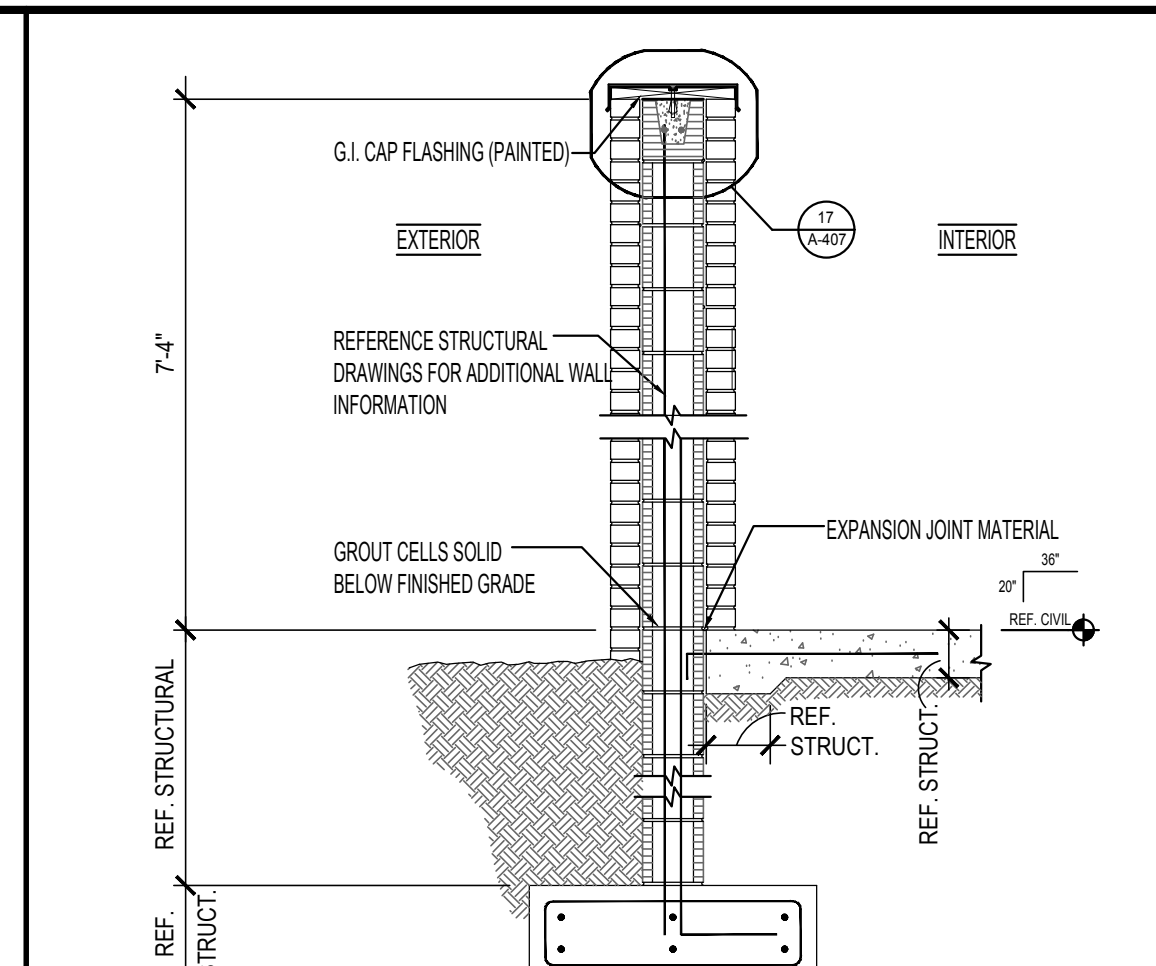
NOT USED 10

Scale: A-407



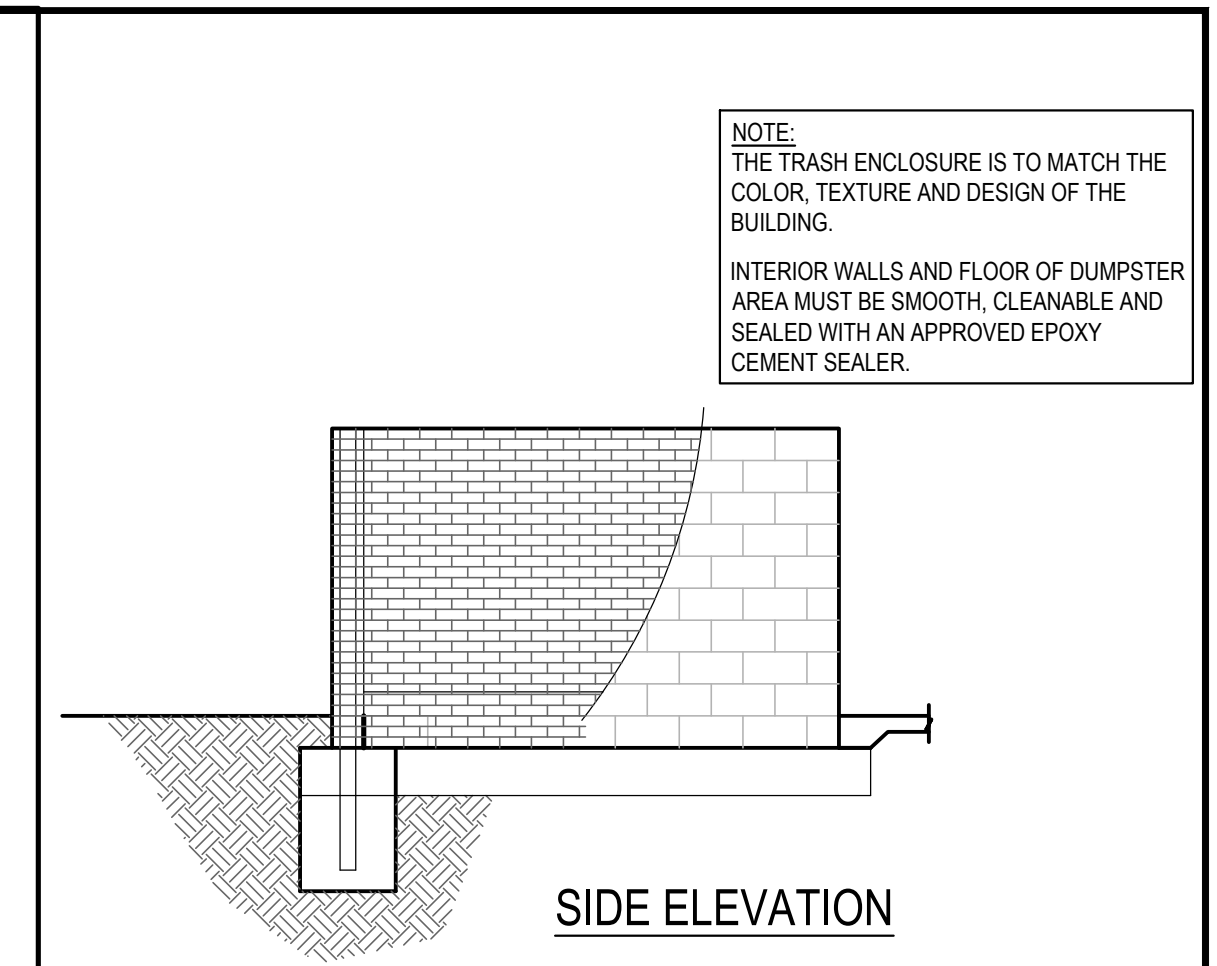
NOT USED 9

Scale: A-407



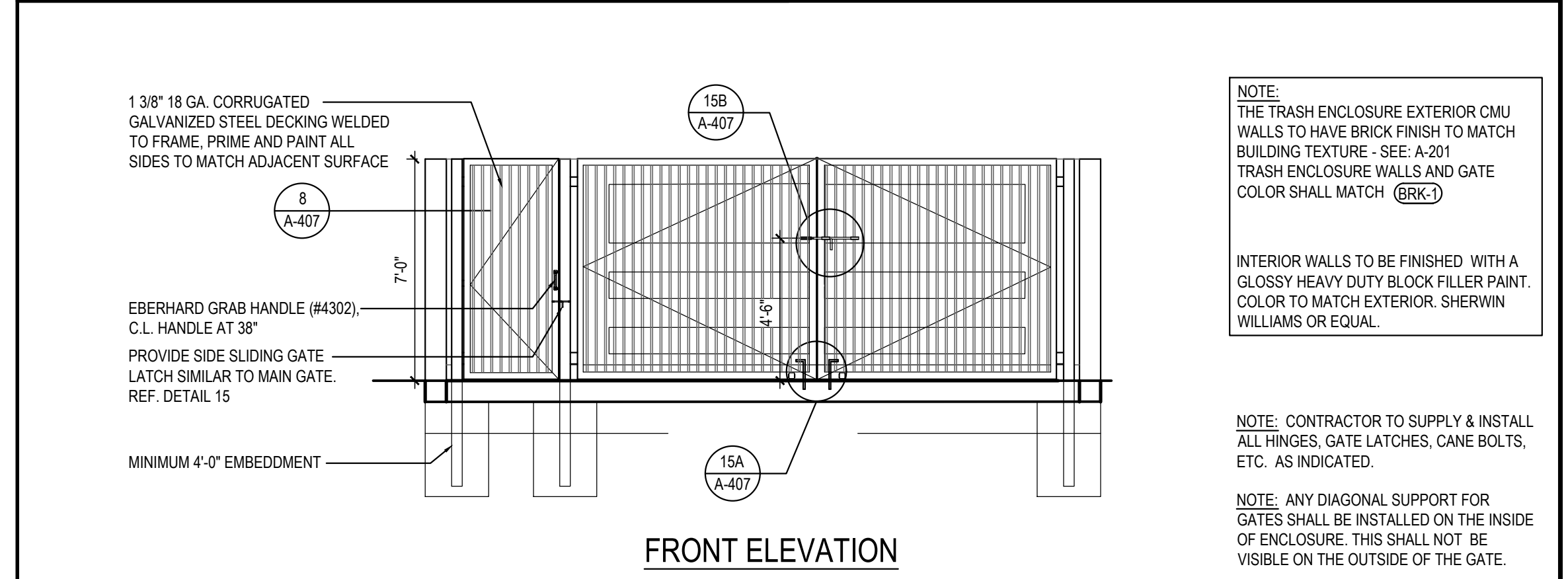
TRASH ENCLOSURE WALL SECTION 8

Scale= 1/2\"/>



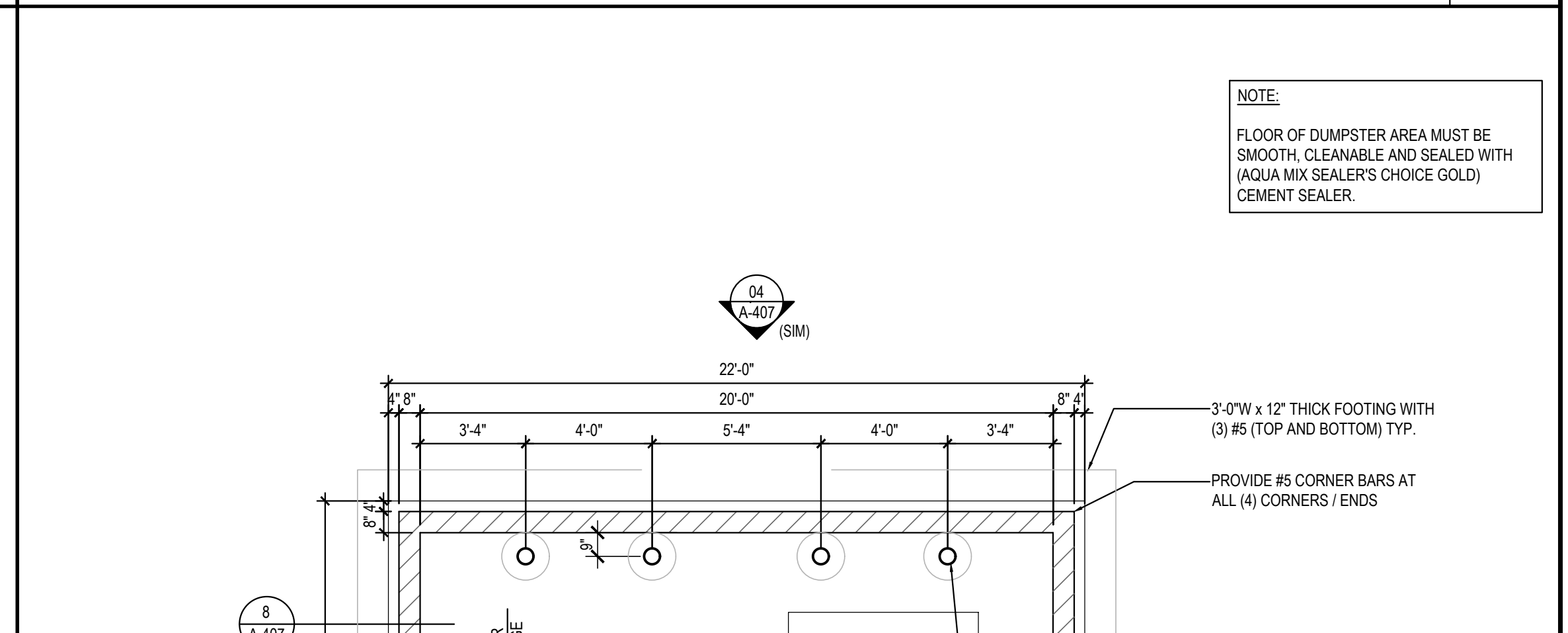
SIDE ELEVATION 4

Scale= 1/4\"/>



FRONT ELEVATION 2

Scale= 1/4\"/>



TRASH ENCLOSURE 1

Scale= 1/4\"/>



project title

**CFT & PANDA**  
**WAUKESHA**  
 2720 N GRANDVIEW BLVD  
 WAUKESHA, WI 53188

project number 14045.004  
 drawing issuance PLANNING REVIEW 06.26.17  
 drawing revisions No. Description: Date:

professional seal

drawing title TRASH ENCLOSURE DETAILS

drawing number **A407**