



315 Marion Avenue, South Milwaukee, WI 53172 Phone:
888-857-4078 * Fax: 877-430-7363

McDonald's Signage Calculations

Site: 48-0107

Address: 2340 E. Moreland Boulevard

City, St Zip: Waukesha, WI 53186

	Qty Proposed	Length (inches)	Height (inches)	Boxed Sq. Feet	Total	OAH
Road Sign/Monument Sign:						
90/200		240.50	186.50	311.48	0.00	
90/100		170.00	132.56	156.50	0.00	
90/50		120.00	95.00	79.17	0.00	
90/40		104.00	81.75	59.04	0.00	
90/25		76.00	63.56	33.55	0.00	
70/200		241.00	236.00	394.97	0.00	
70/100		170.00	168.00	198.33	0.00	
70/50 (Existing)	1	120.00	119.00	80.05	80.05	
70/40		106.00	105.25	77.48	0.00	
70/25		76.00	73.50	38.79	0.00	
7' x 7' Pylon		83.75	85.00	49.44	0.00	
4'x4' NextGen Monument		48.00	48.00	16.00	0.00	
4'x9'-7" NextGen Monument		115.00	48.00	38.33	0.00	
20' NextGen Road Sign		60.00	116.00	48.33	0.00	20'
25' NextGen Road Sign		75.00	145.00	75.52	0.00	25'
30' NextGen Road Sign		90.00	174.00	108.75	0.00	30'
Custom 20' Next Gen Road Sign		60.00	60.00	25.00	0.00	
Electronic Message Center		53.00	60.00	22.08	0.00	
3'x8' Graphic Readerboard		100.00	37.00	25.69	0.00	
2'x8' Graphic Readerboard	1	100.00	26.50	18.40	18.40	
2'x8' Drive Thru Appendage		97.25	24.00	16.21	0.00	

ID Total 98.45

Building Signage:

Front Elevation

Wordmark Sign		197.00	24.00	32.83	0.00	N/A
Illuminated Building Arch 42"	1	48.00	42.00	14.00	14.00	N/A
Play Place Sign		140.00	22.25	21.63	0.00	N/A
Non-Illuminated Welcome Copy		47.88	8.00	2.66	0.00	N/A

Moreland Boulevard Elevation

Wordmark Sign	1	197.00	24.00	32.83	32.83	N/A
Illuminated Building Arch 42"	1	48.00	42.00	14.00	14.00	N/A
Play Place Sign		140.00	22.25	21.63	0.00	N/A
Non-Illuminated Welcome Copy		47.88	8.00	2.66	0.00	N/A

Abbott Drive Elevation

Wordmark Sign	1	197.00	24.00	32.83	32.83	N/A
Illuminated Building Arch 42"		48.00	42.00	14.00	0.00	N/A
Play Place Sign		140.00	22.25	21.63	0.00	N/A

Kossow Road Elevation

Wordmark Sign		197.00	24.00	32.83	0.00	N/A
Illuminated Building Arch 42"	1	48.00	42.00	14.00	14.00	N/A
Play Place Sign		140.00	22.25	21.63	0.00	N/A

Building Total 107.67

Signage Total: 206.12

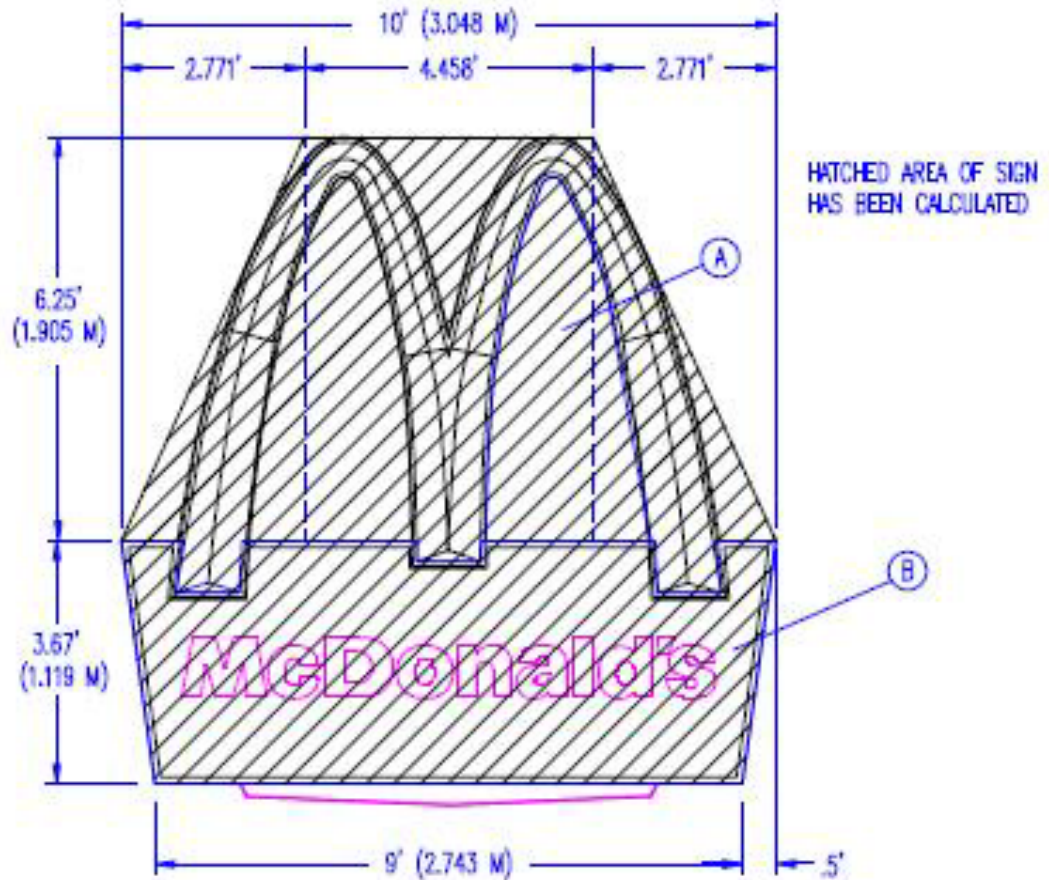
McDonald's

70/50 ROAD SIGN



Everbrite

315 MARION AVENUE, SOUTH MILWAUKEE, WI 53172-997,
414-762-8700



Ⓐ ARCH AREA

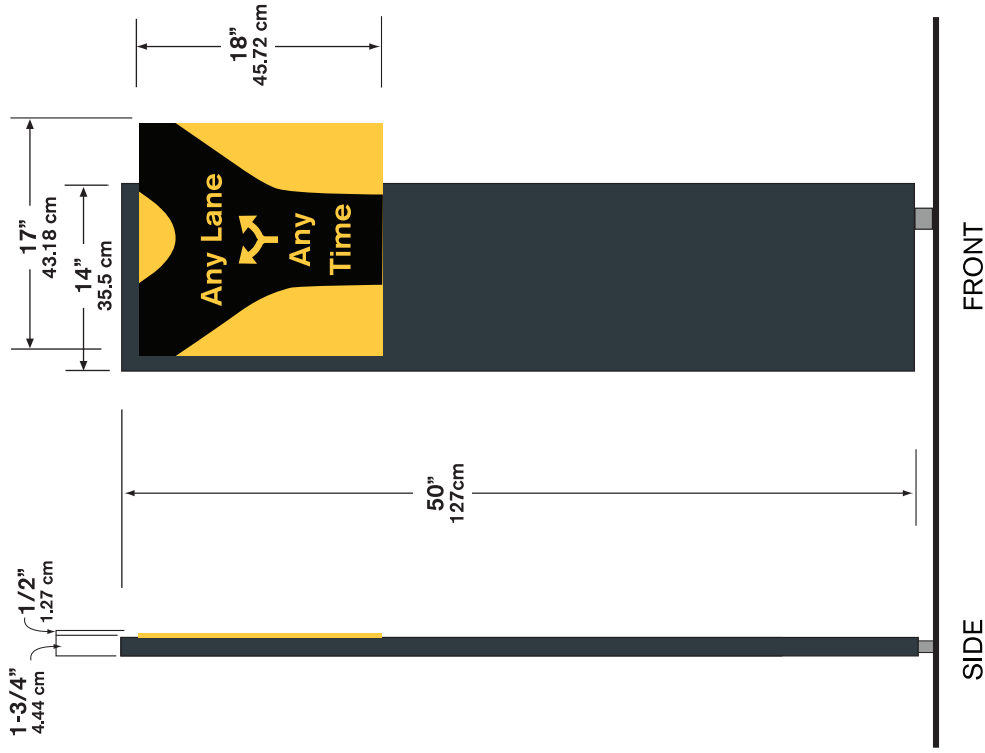
A AREA = LENGTH X WIDTH + TRIANGLES
 $A = (6.25')(4.458') + 2[(6.25')(2.771')(.5)]$
 $A = 27.863' + 17.319'$
 $A = 45.18 \text{ SQ FT}$

Ⓑ BASE AREA

B AREA = LENGTH X WIDTH + BOTTOM TRIANGLES
 $B = (9')(3.67') + 2[(.5')(3.67')(.5)]$
 $B = 33.03' + 1.84'$
 $B = 34.87 \text{ SQ FT}$

TOTAL AREA = A + B
 $TA = 45.18' + 34.87'$
 $TA = 80.05'$

Bollard



Illumination: N/A

Ship Weight: 26 lbs.

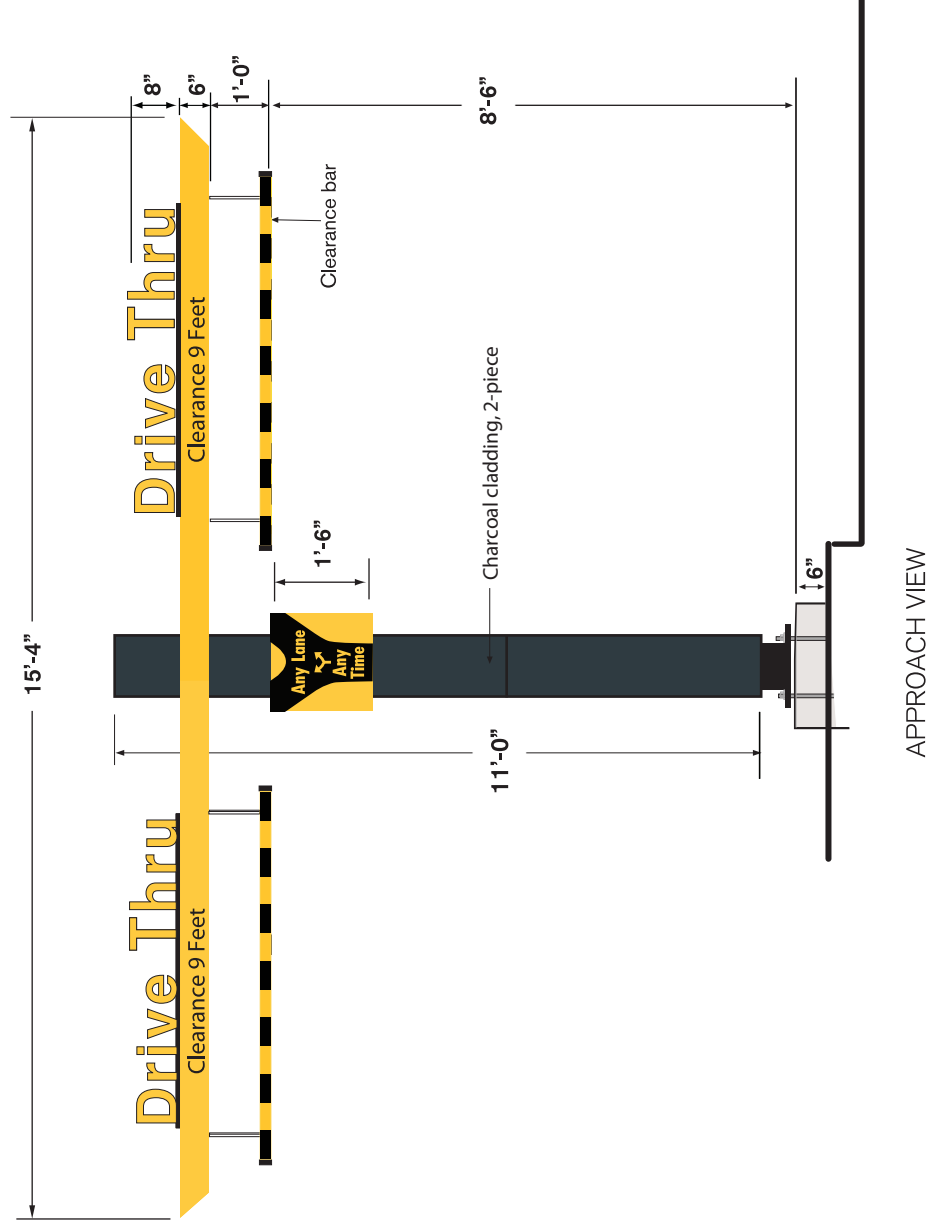
- Other:**
- PMS 123 yellow reflective message panel with black decal graphics/letters
 - Two mounting systems available; direct burial or anchor bolt.

Double Welcome Point Gateway



Illumination: N/A

- Other:**
- Non-illuminated clearance sign with spring loaded break away clearance arm.
 - Adjustable bang bar.



OPO Outdoor Menu Board

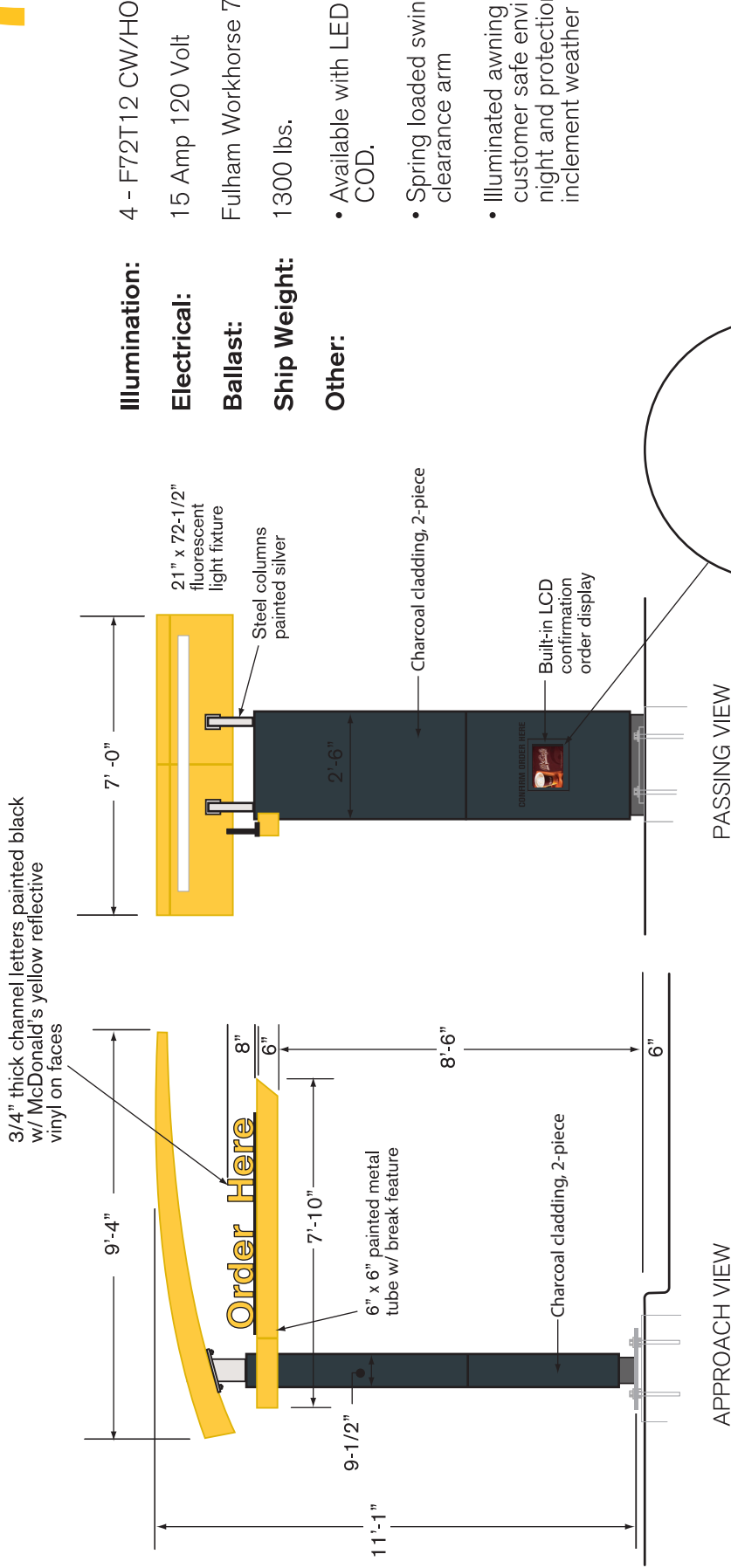


- Illumination:** LED
- Electrical:** First Circuit: 120/1/60, 15 amp
Second Circuit: 120/1/60, 15 amp
- Ship Weight:** 1,313 lbs.
- Other:**
 - Please call IMS for graphics, 800-937-7671
 - Triangular design for increased graphic options
 - Available in an manual or automated version. Automated version must be ordered directly from Florida Plastics.





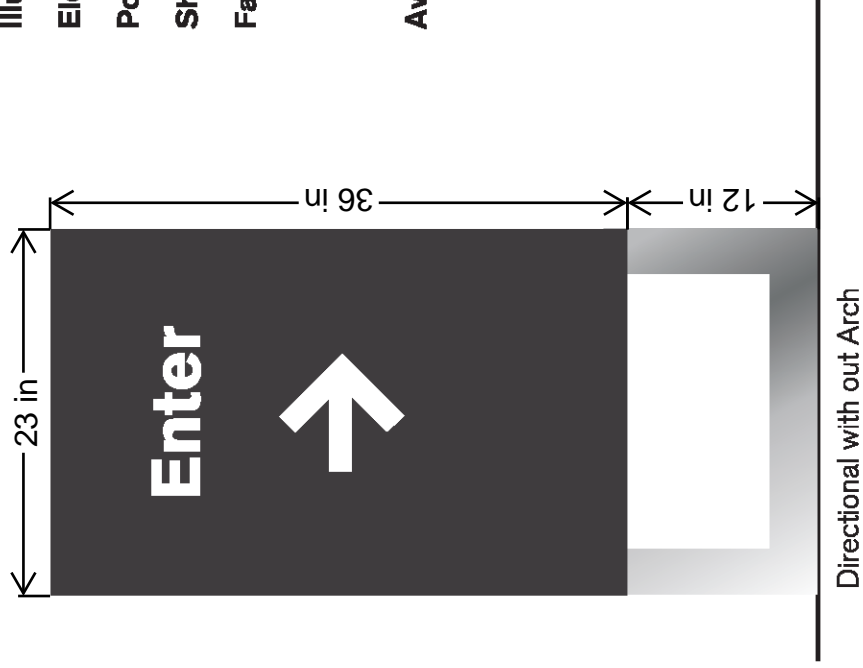
Drive-Thru Twin Pole Canopy w/ Built-In COD (Preferred) LCD Confirmation Order Display



- Illumination:** 4 - F72T12 CW/HO
- Electrical:** 15 Amp 120 Volt
- Ballast:** Fulham Workhorse 7
- Ship Weight:** 1300 lbs.
- Other:**
- Available with LED or LCD COD.
 - Spring loaded swing away 9' clearance arm
 - Illuminated awning provides a customer safe environment at night and protection from inclement weather

Built-in LCD confirmation order display

Next Gen Directional



Illumination: LED

Electrical: .25 amps

Power Supply: Amperor ANP90-30P1

Ship Weight: 130 lbs.

Face Details: Laser cut aluminum faces painted charcoal, white illuminated copy and arrow. Optional illuminated gold arch.

Available Copy:

- Enter
- Exit
- Welcome
- Thank You
- Drive-Thru