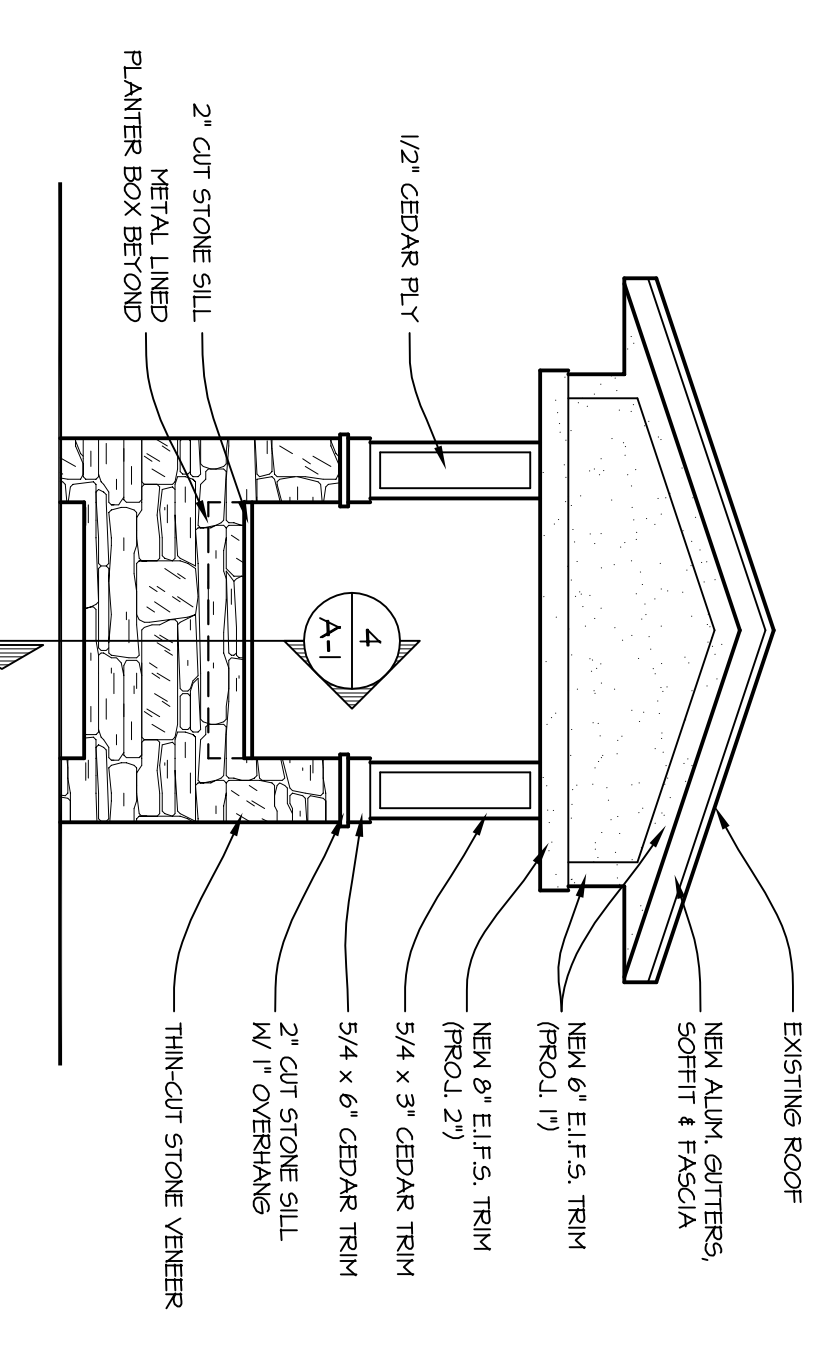
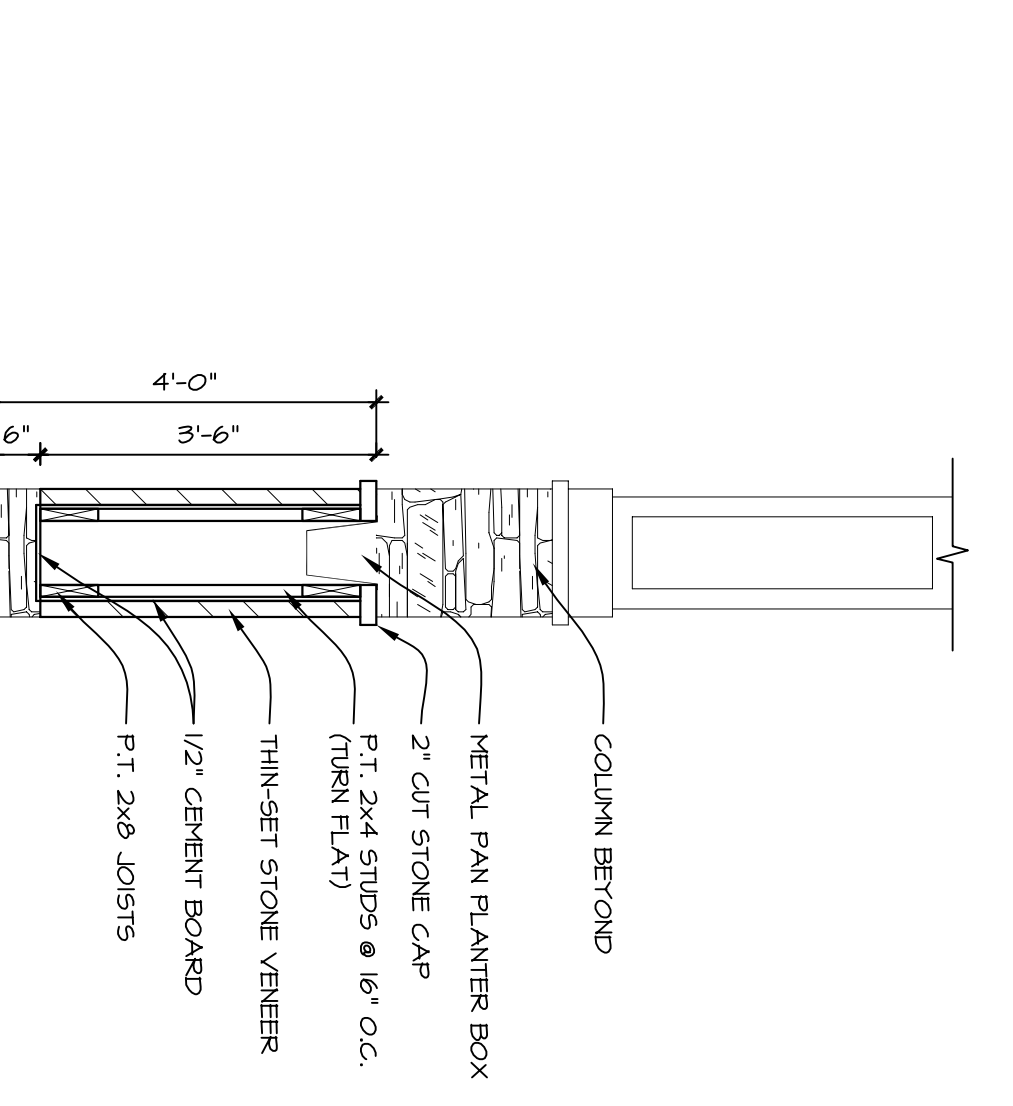


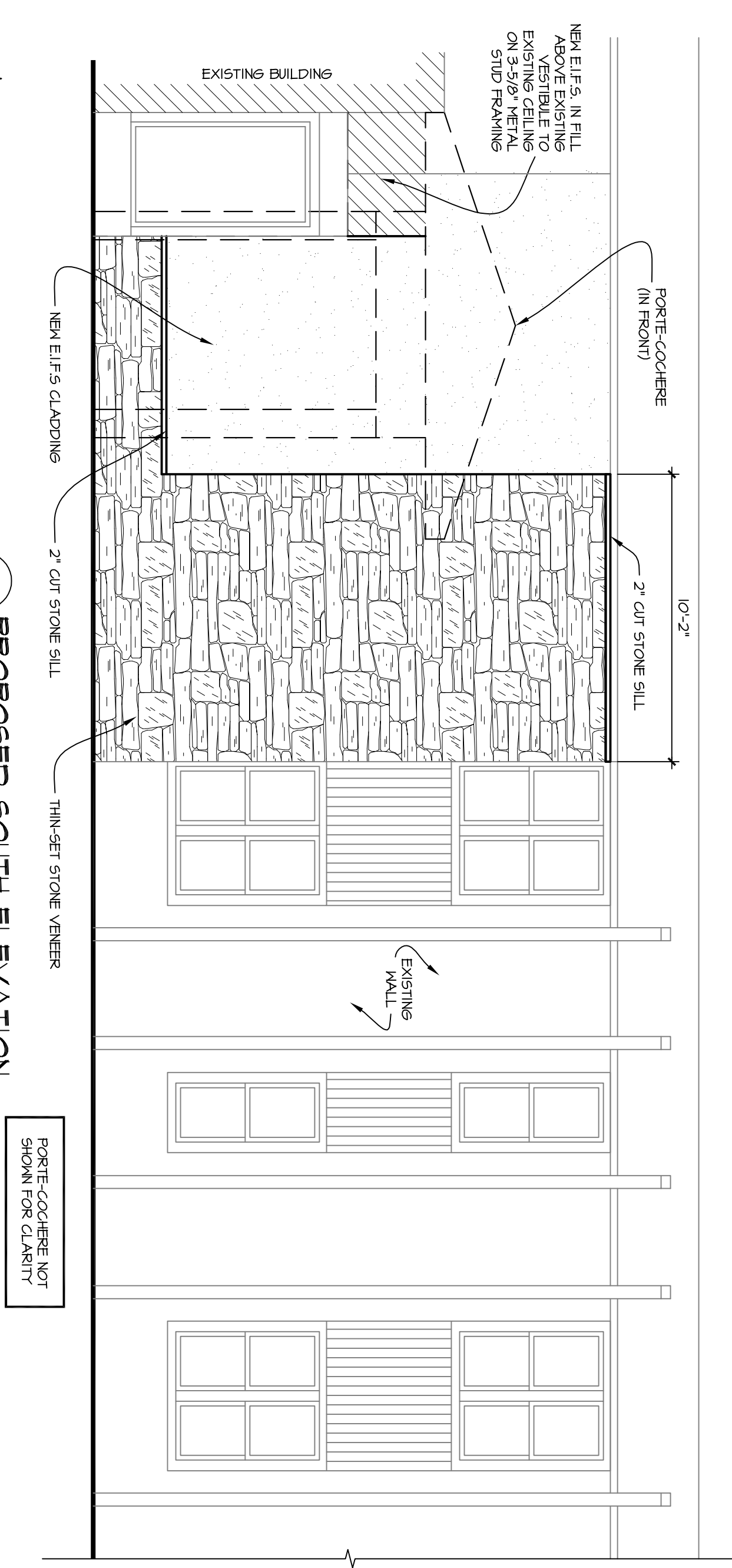
1 PROPOSED EAST ELEVATION
1/4" = 1'-0"



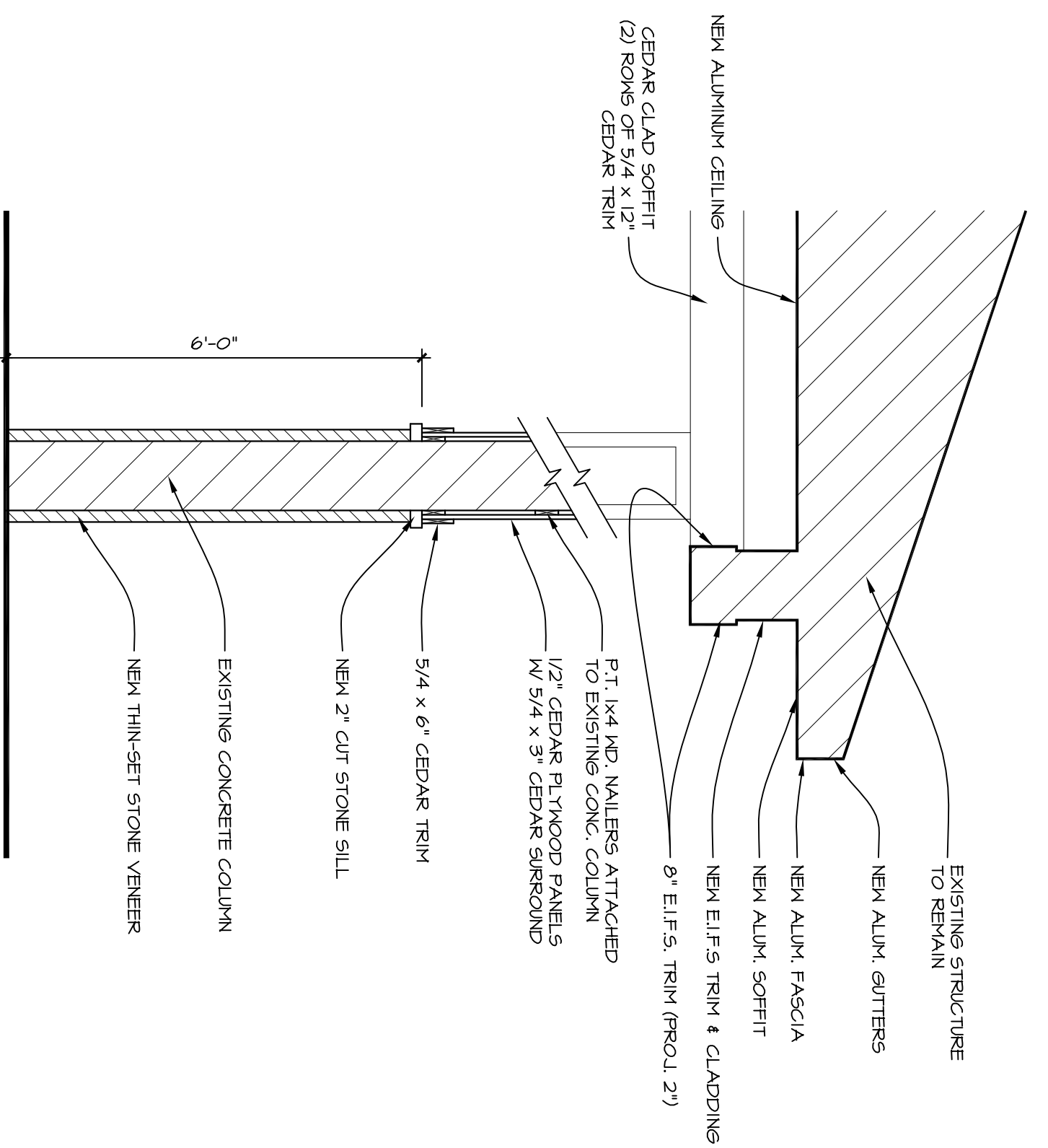
2 PROPOSED PORTE-COCHERE
1/4" = 1'-0"



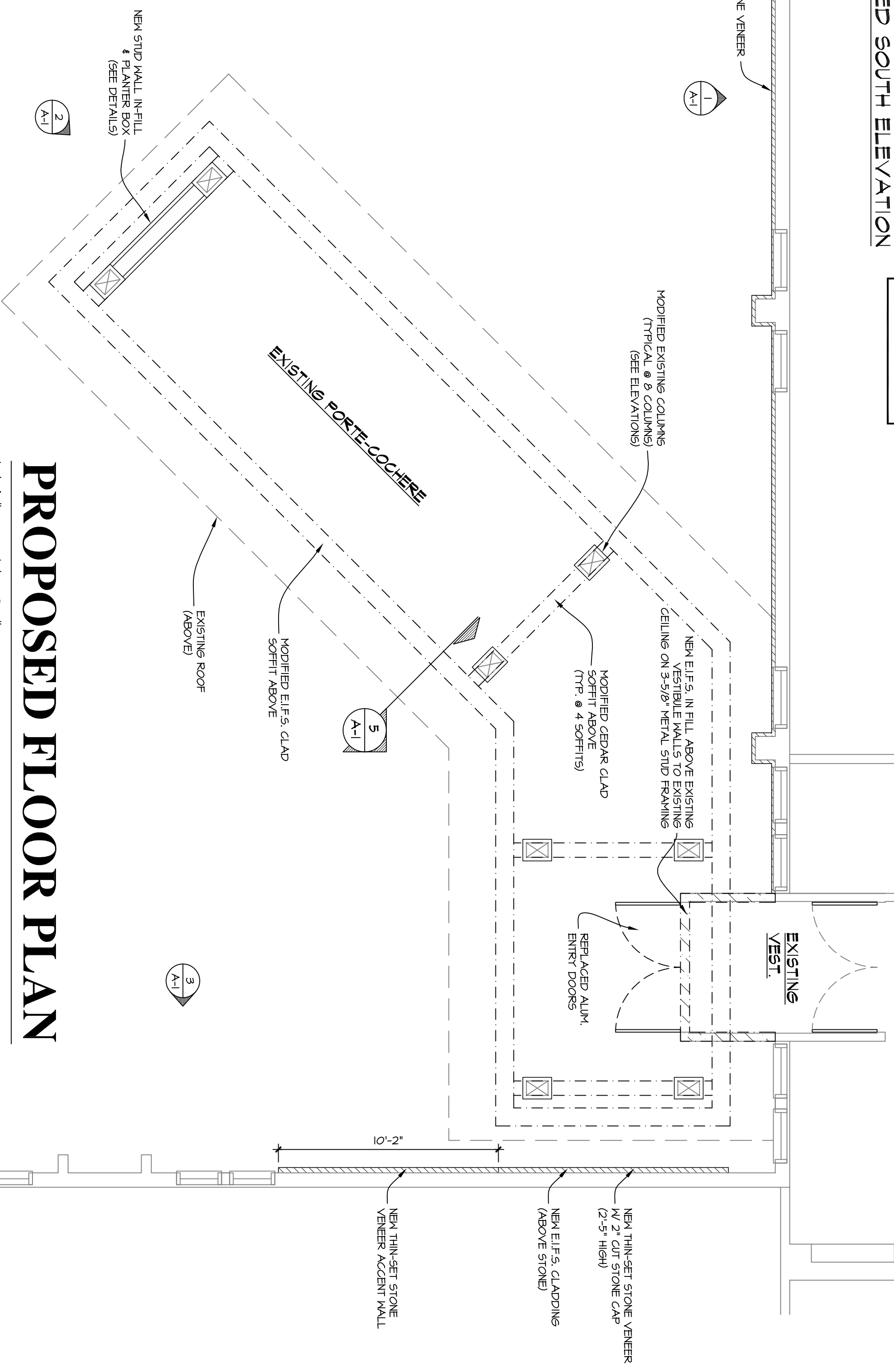
4 PLANTER SECTION
1/2" = 1'-0"



3 PROPOSED SOUTH ELEVATION
1/4" = 1'-0"

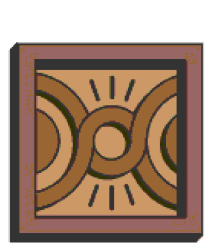


5 COLUMN SECTION
1/2" = 1'-0"



PROPOSED FLOOR PLAN
1/4" = 1'-0"

REVISIONS:



PATERA LLC
Excellence in Architecture

2601 S. Sunny Slope Rd. • New Berlin, WI 53151

Phone: 262-786-6776 Fax: 262-786-7036

WAUKESHA SPRINGS

1810 KENSINGTON DR.
WAUKESHA, WI

SHEET TITLE:
EXISTING FLOOR PLAN, ELEVATION, & GENERAL NOTES - FOR ENTRY REMODEL

A-1

DATE: MARCH 5, 2014
PROJECT NUMBER: 14-156