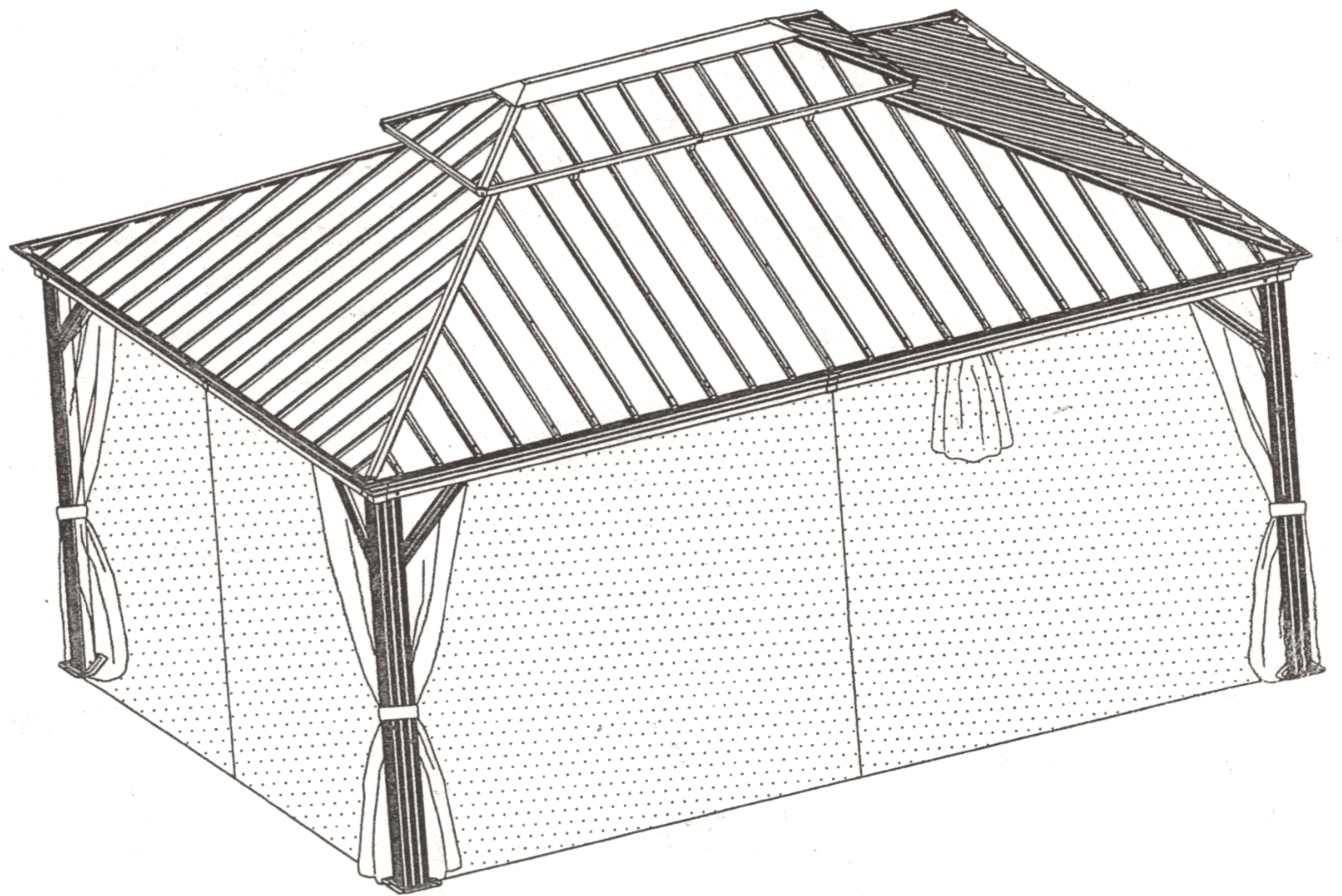


12 x 14FT

WQG-030-1



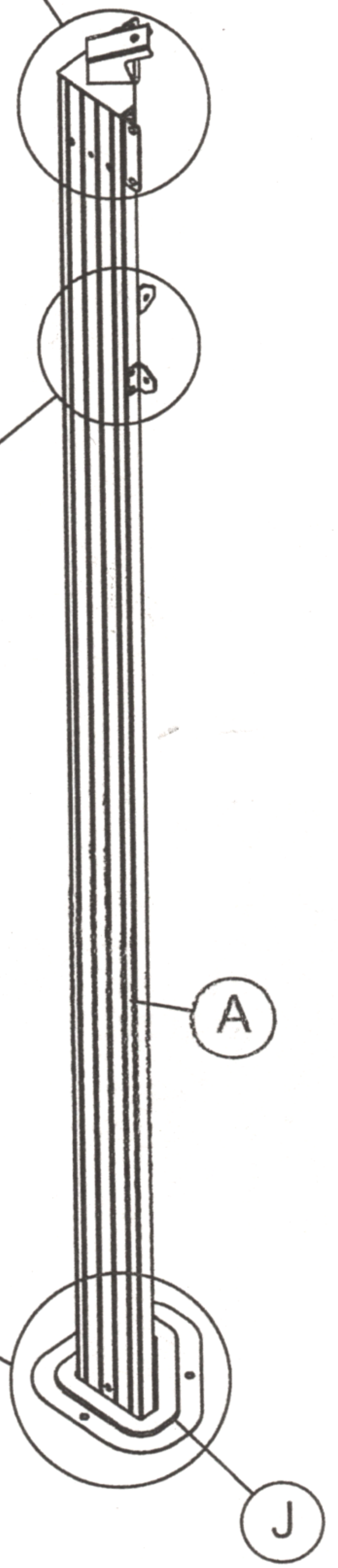
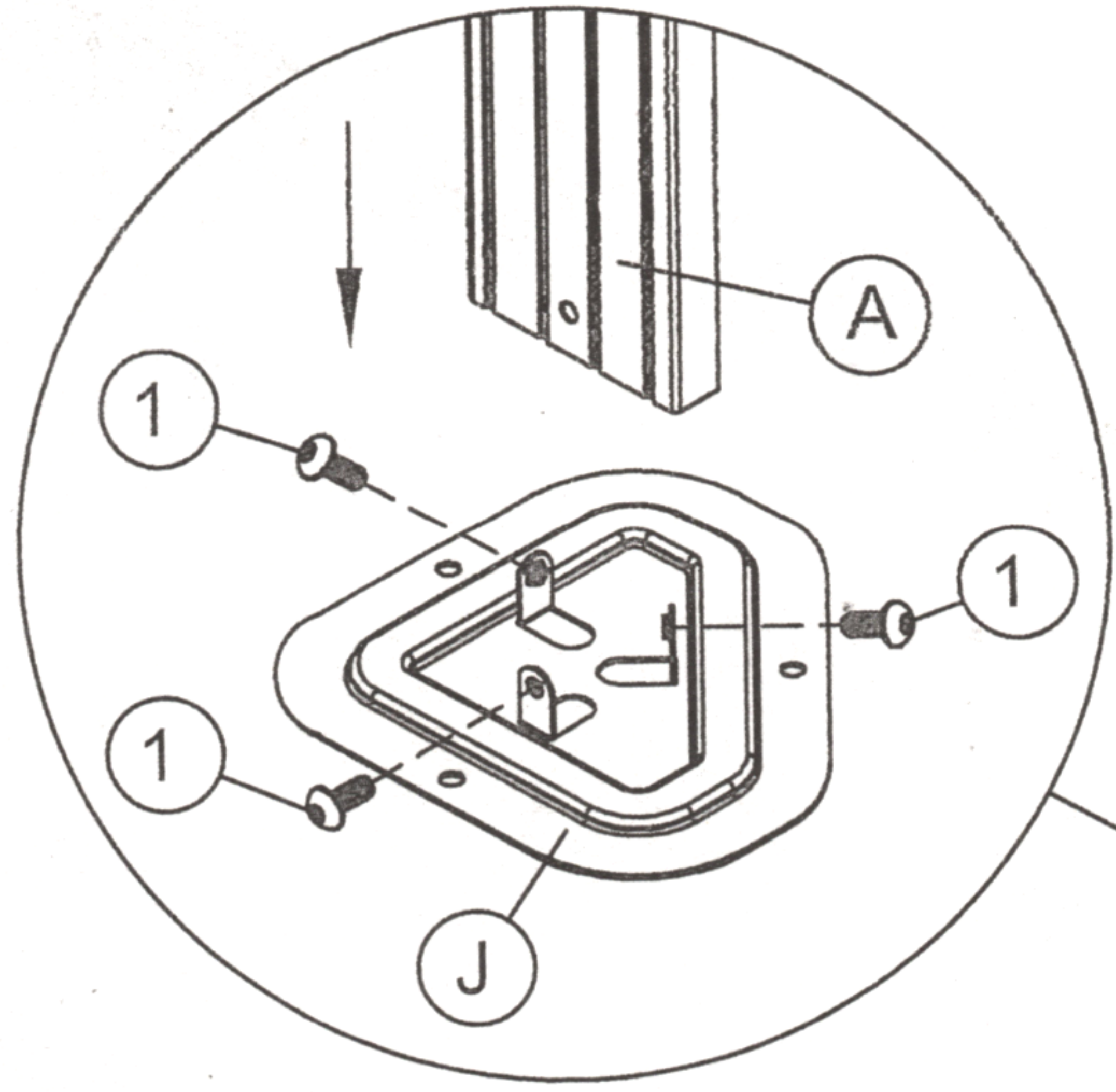
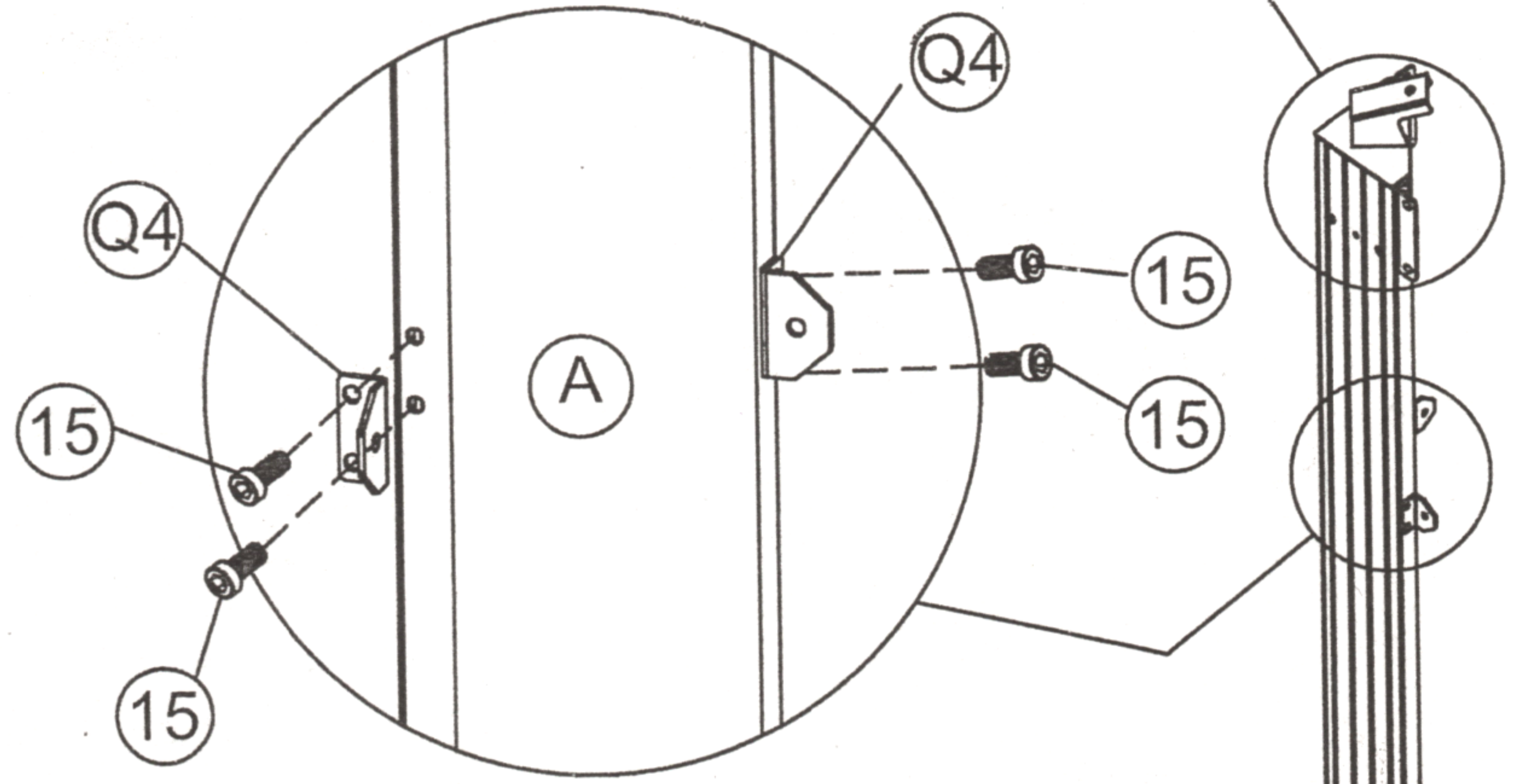
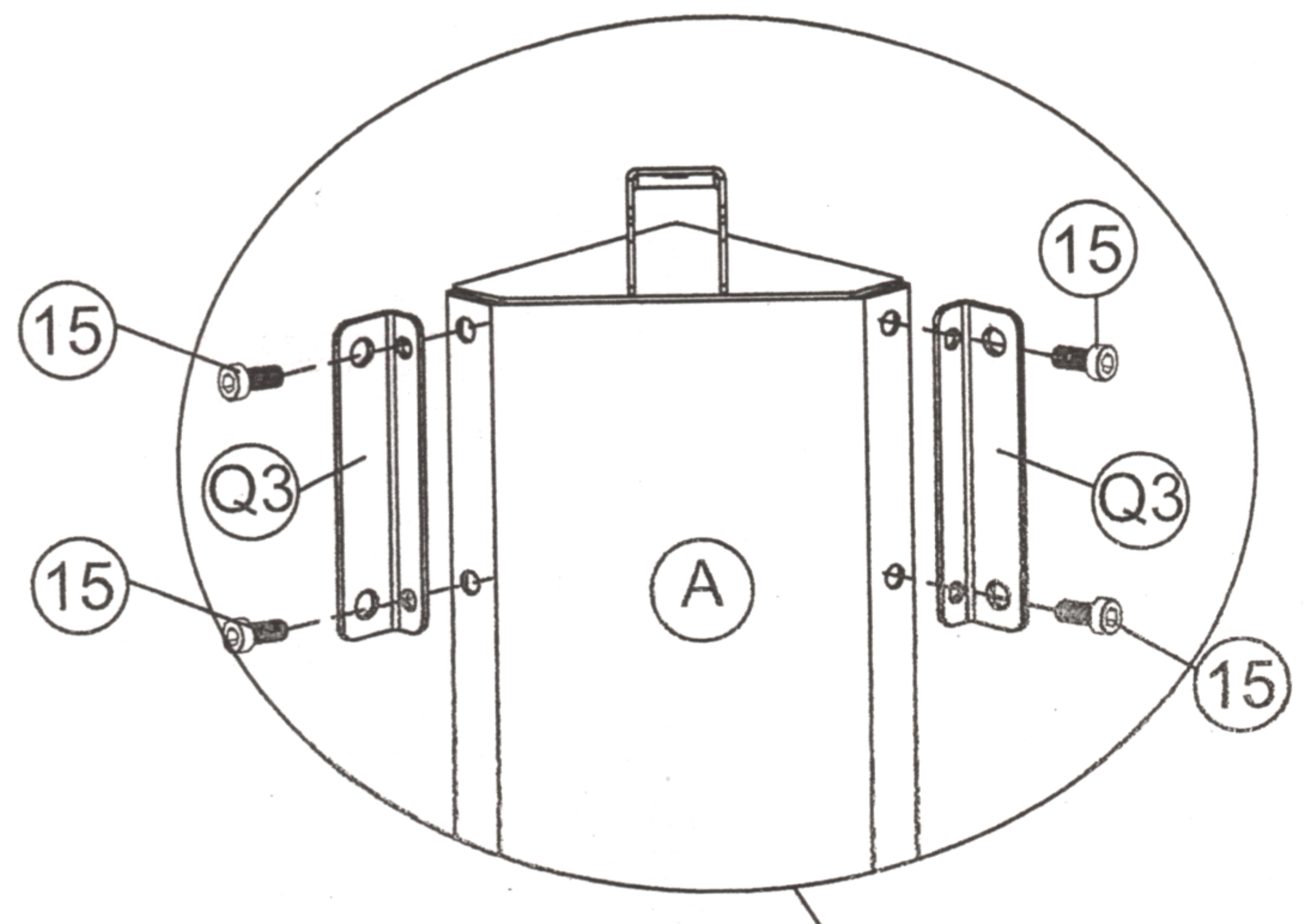
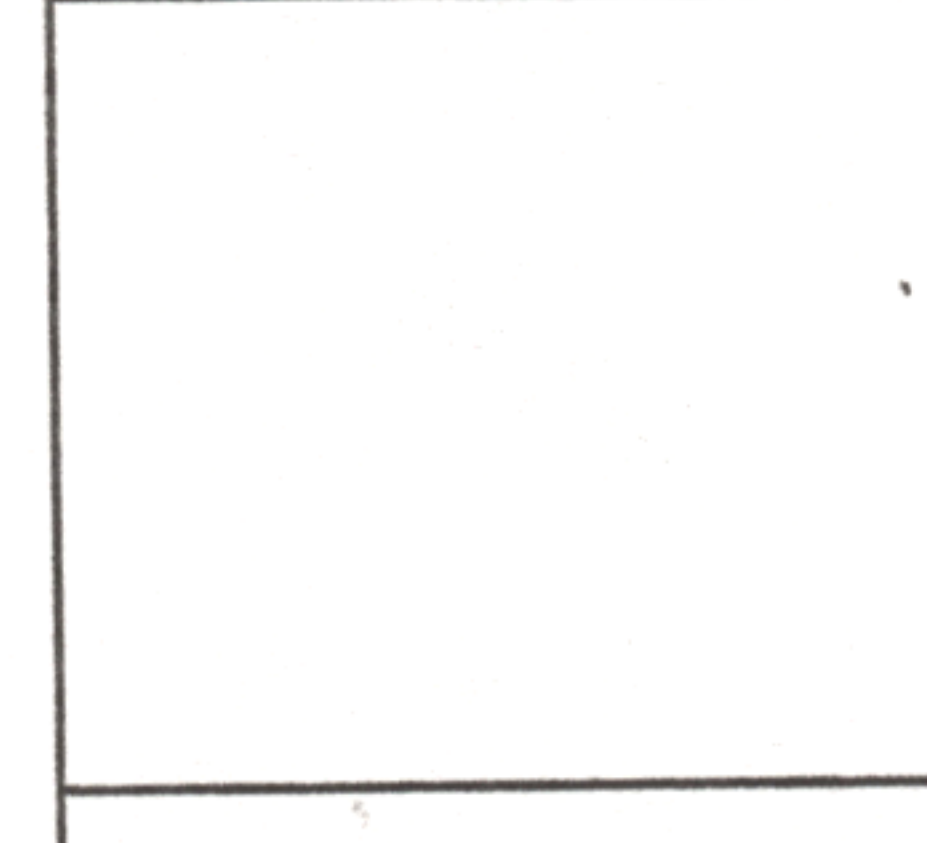
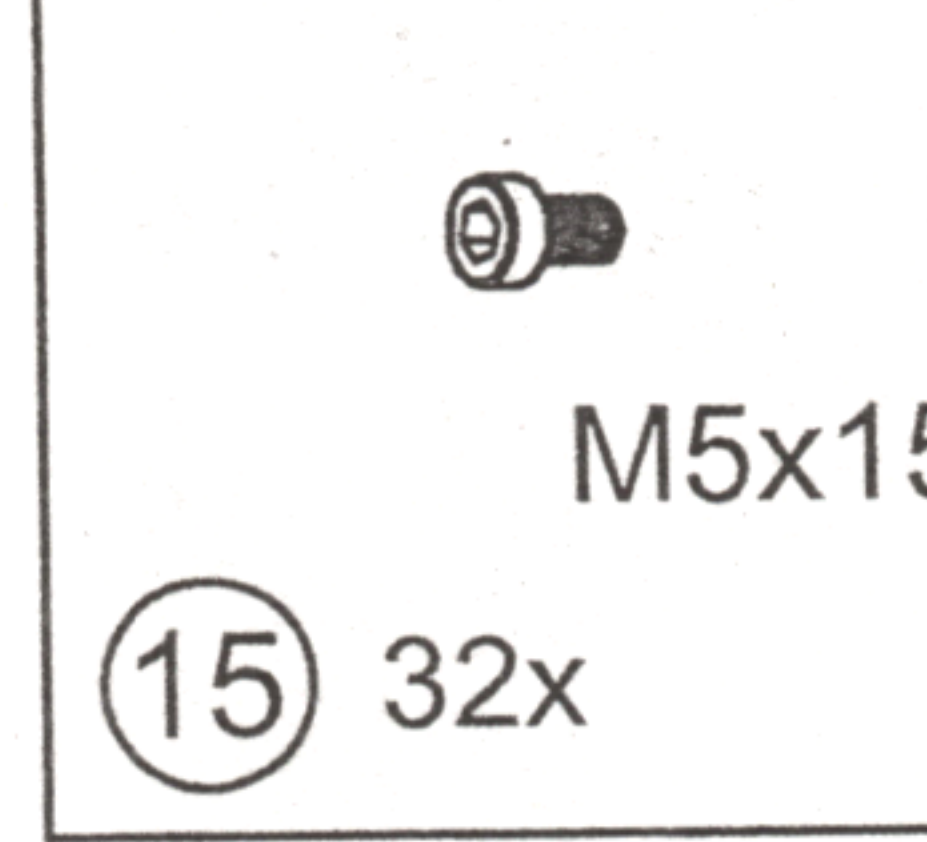
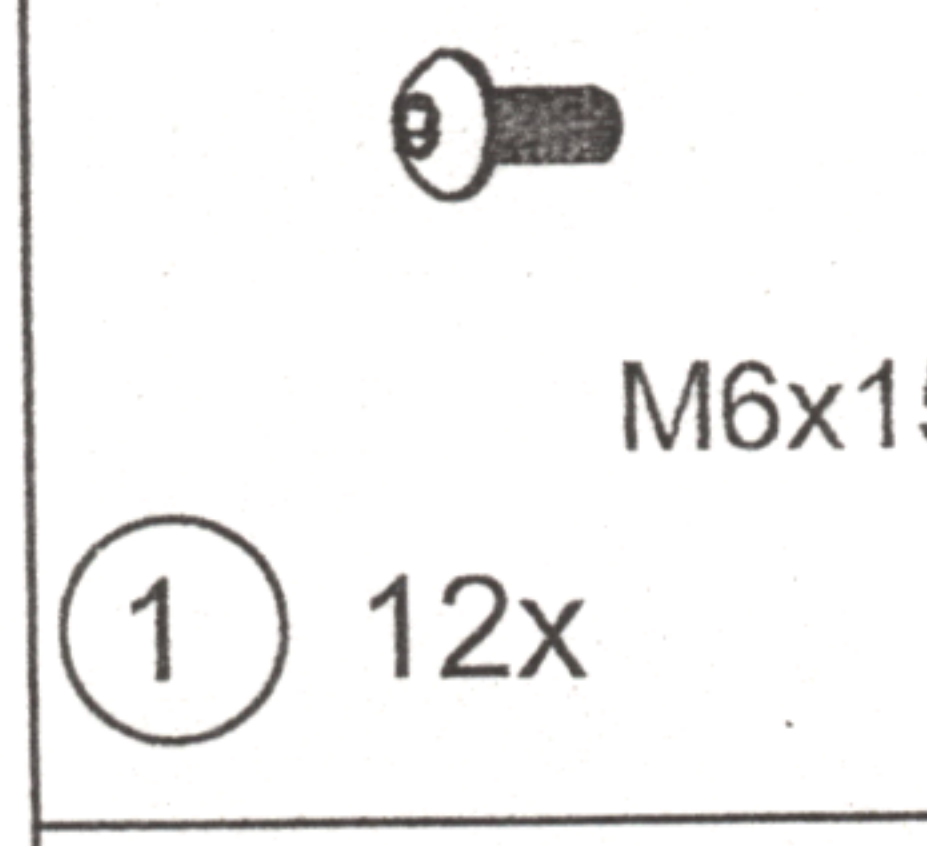
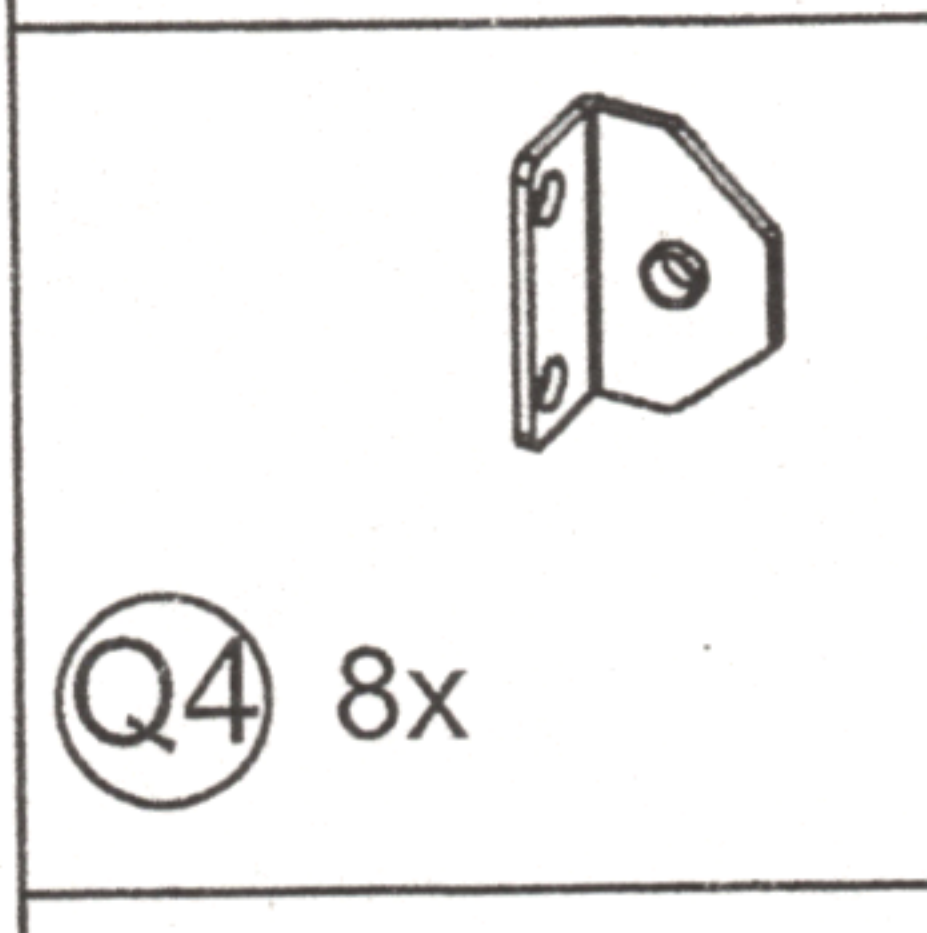
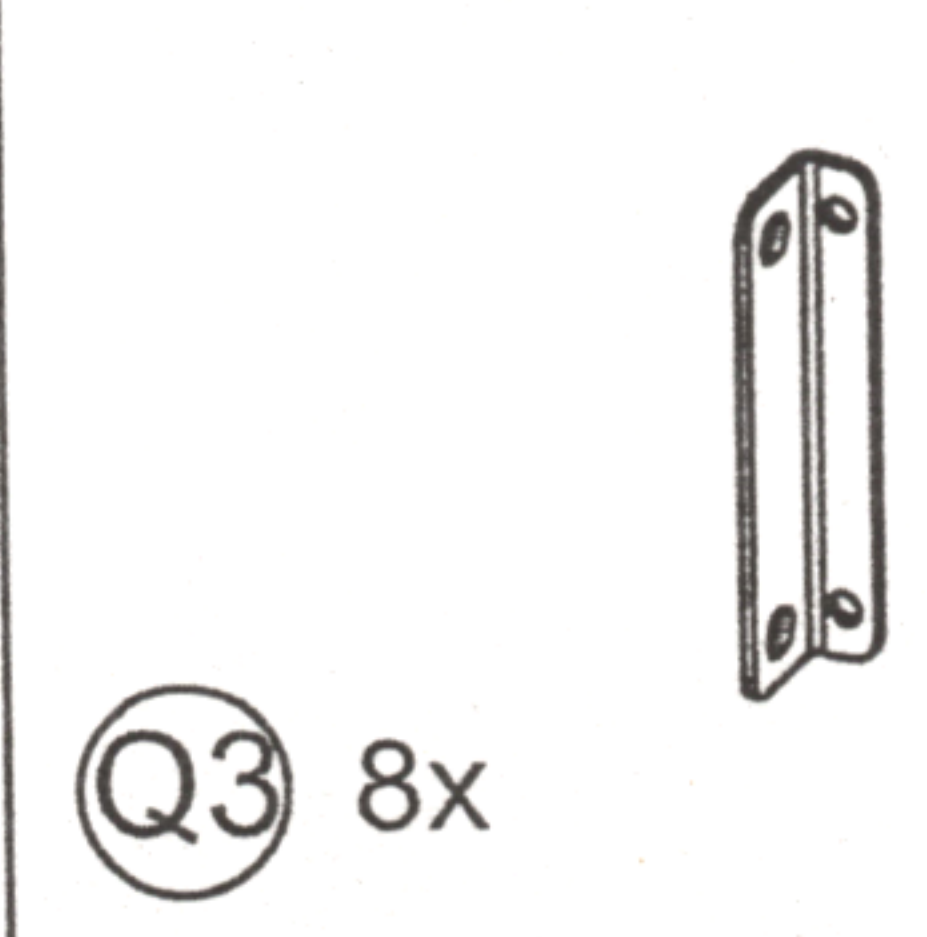
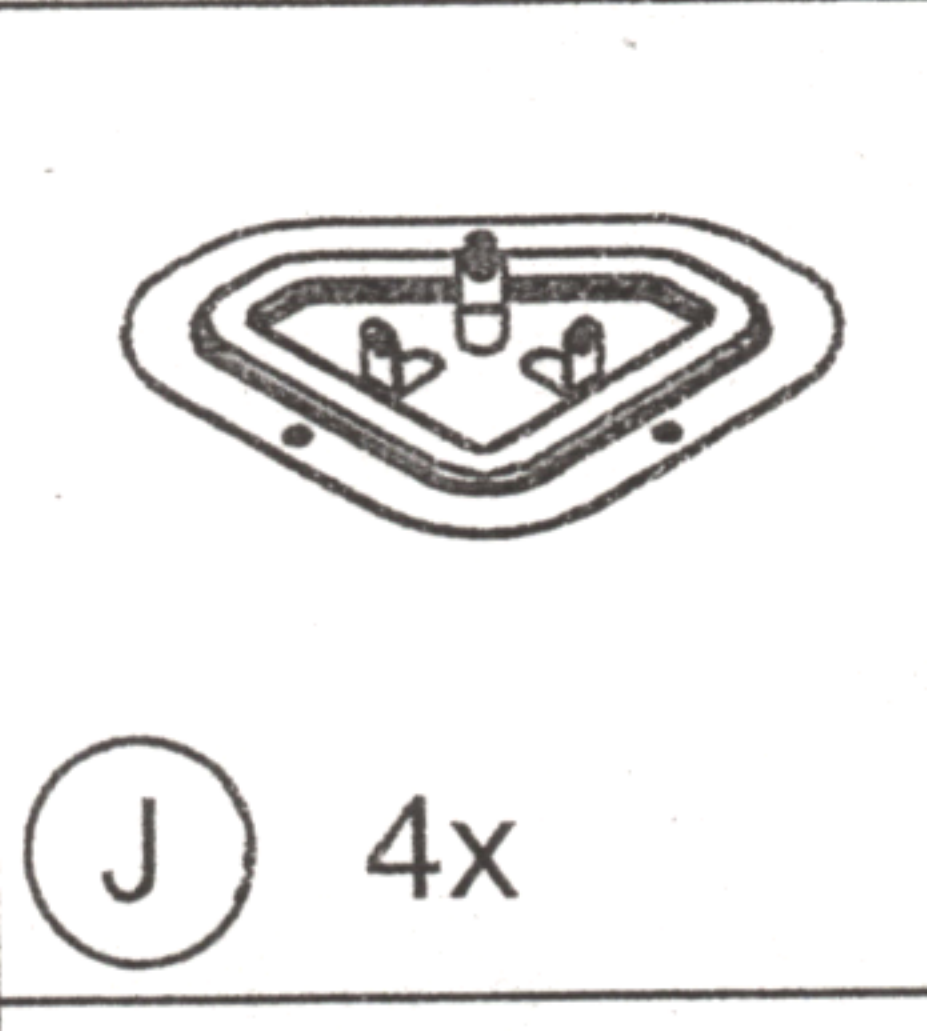
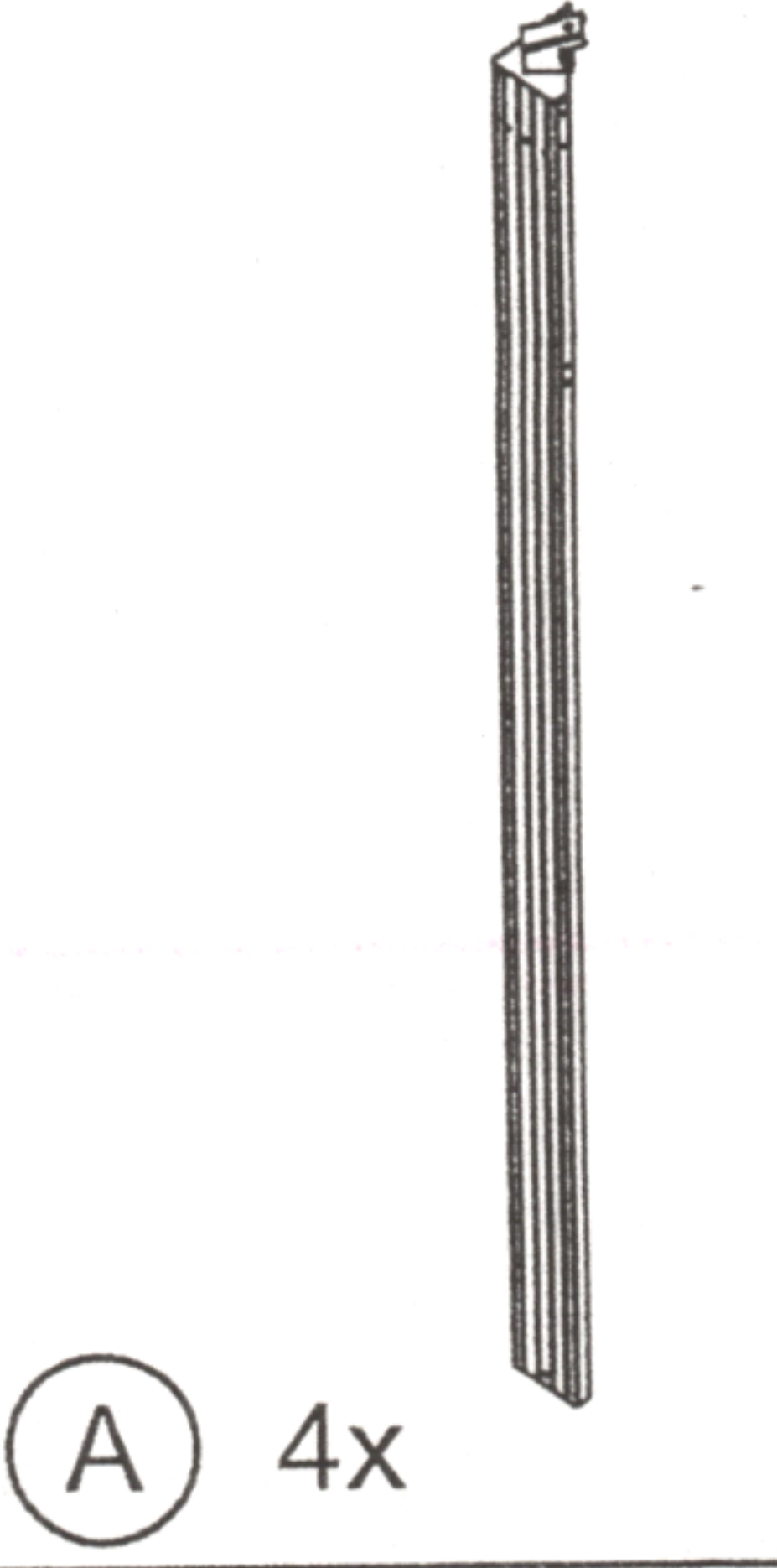
Need at least three people to work together

REQUIRED TOOLS

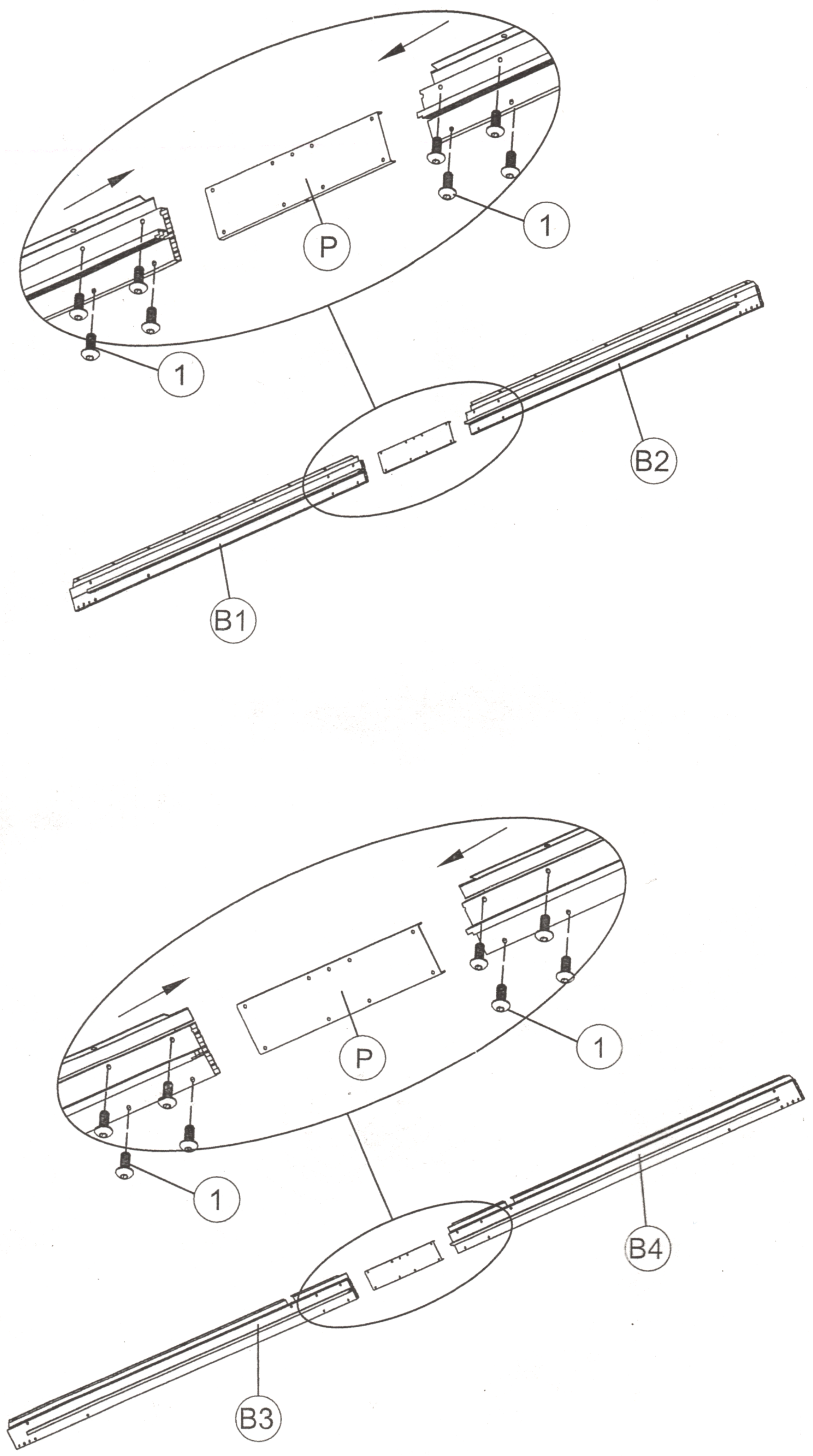
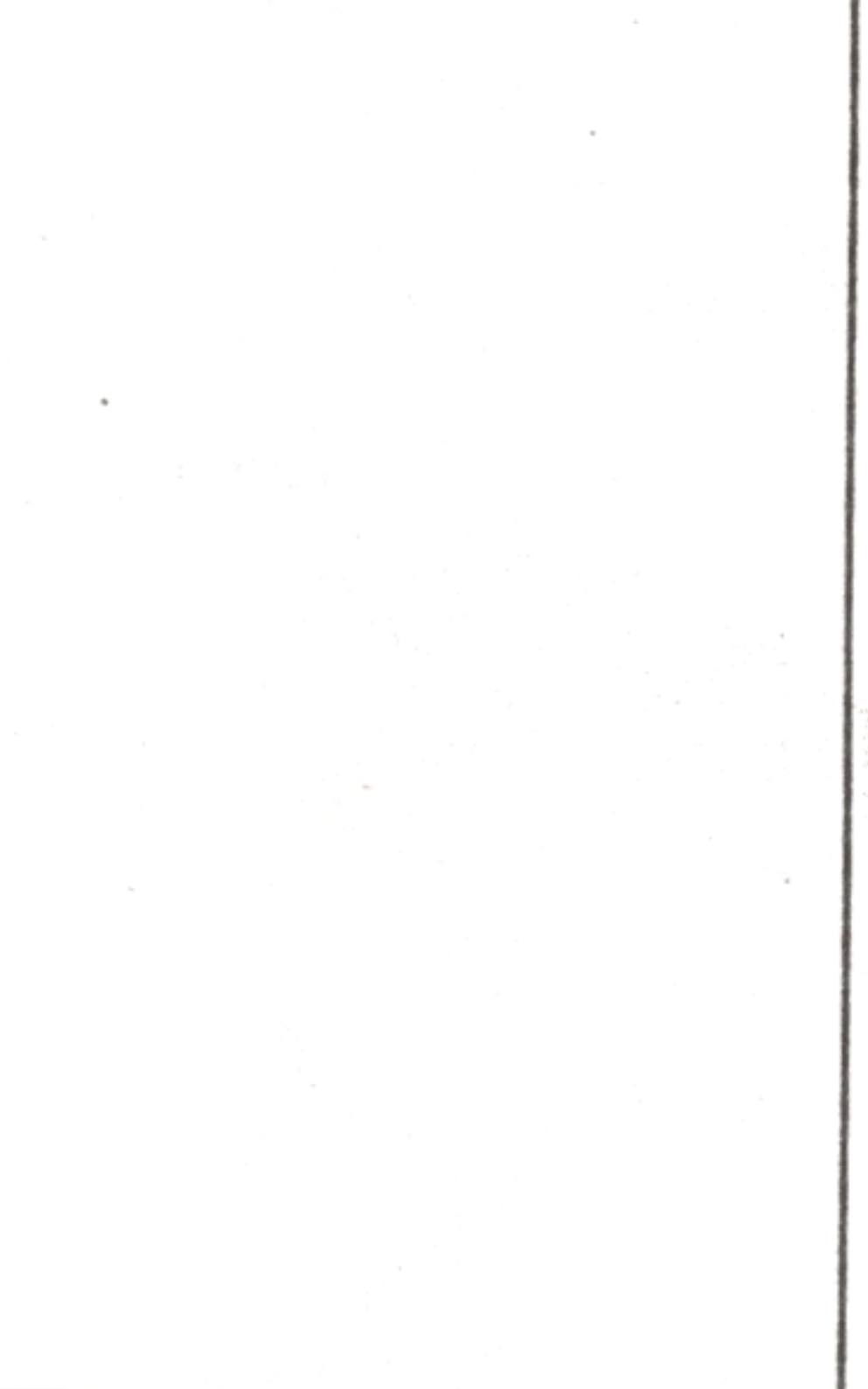
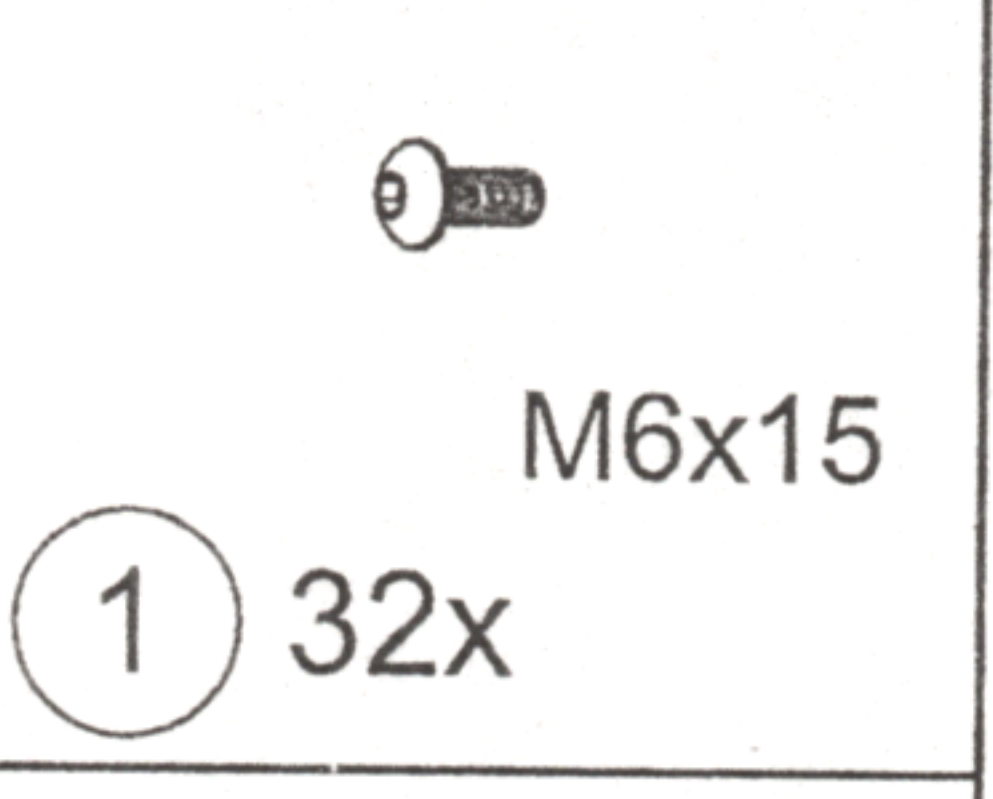
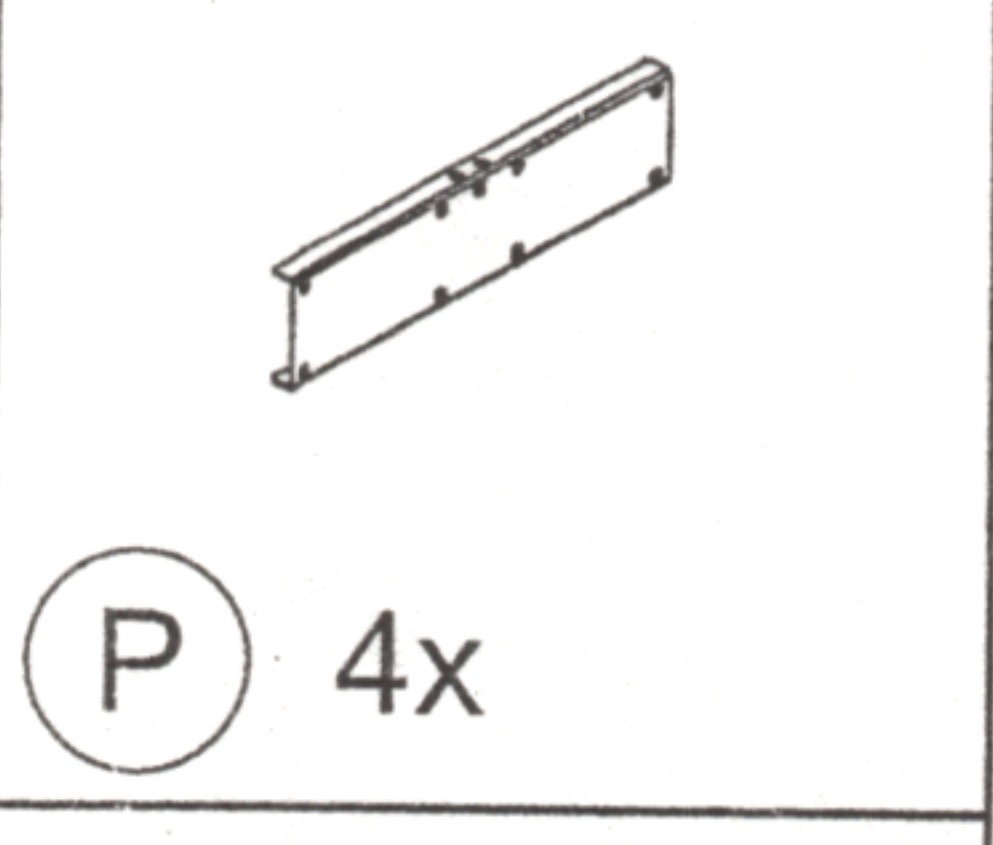
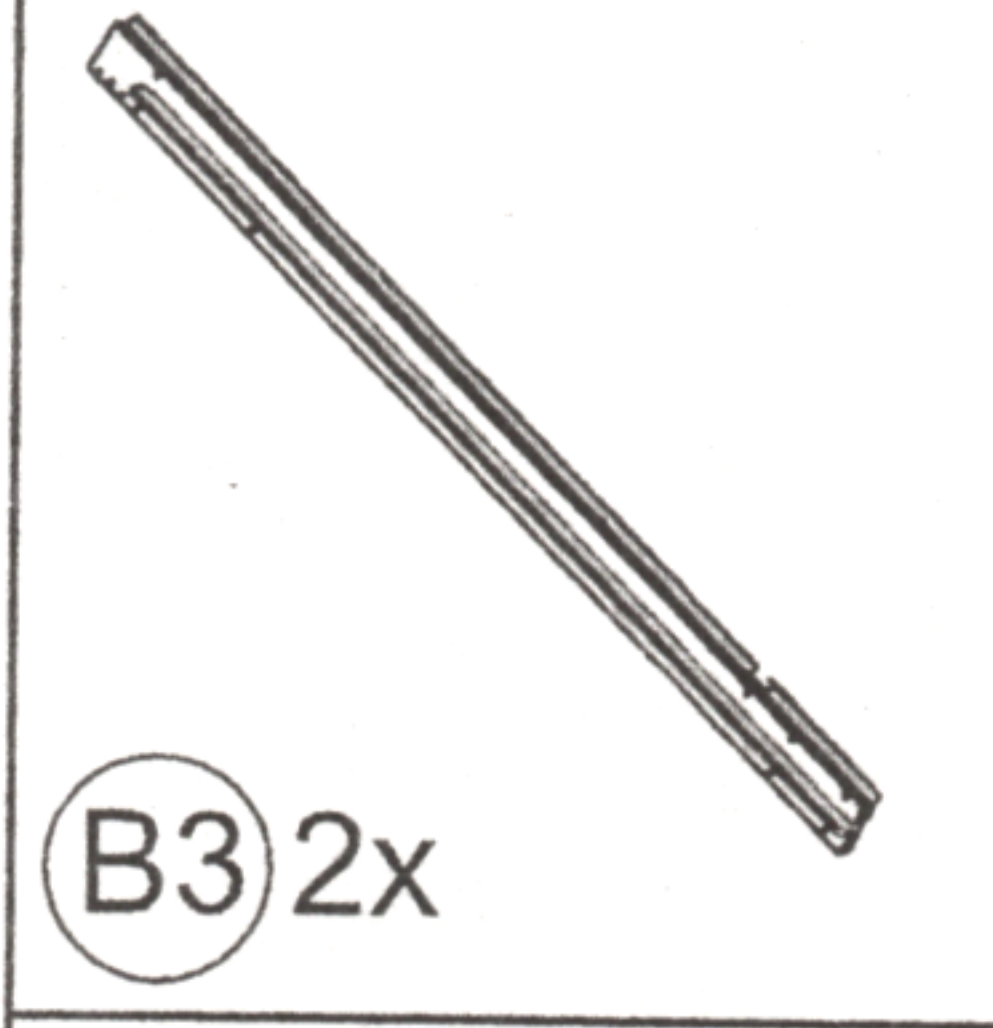
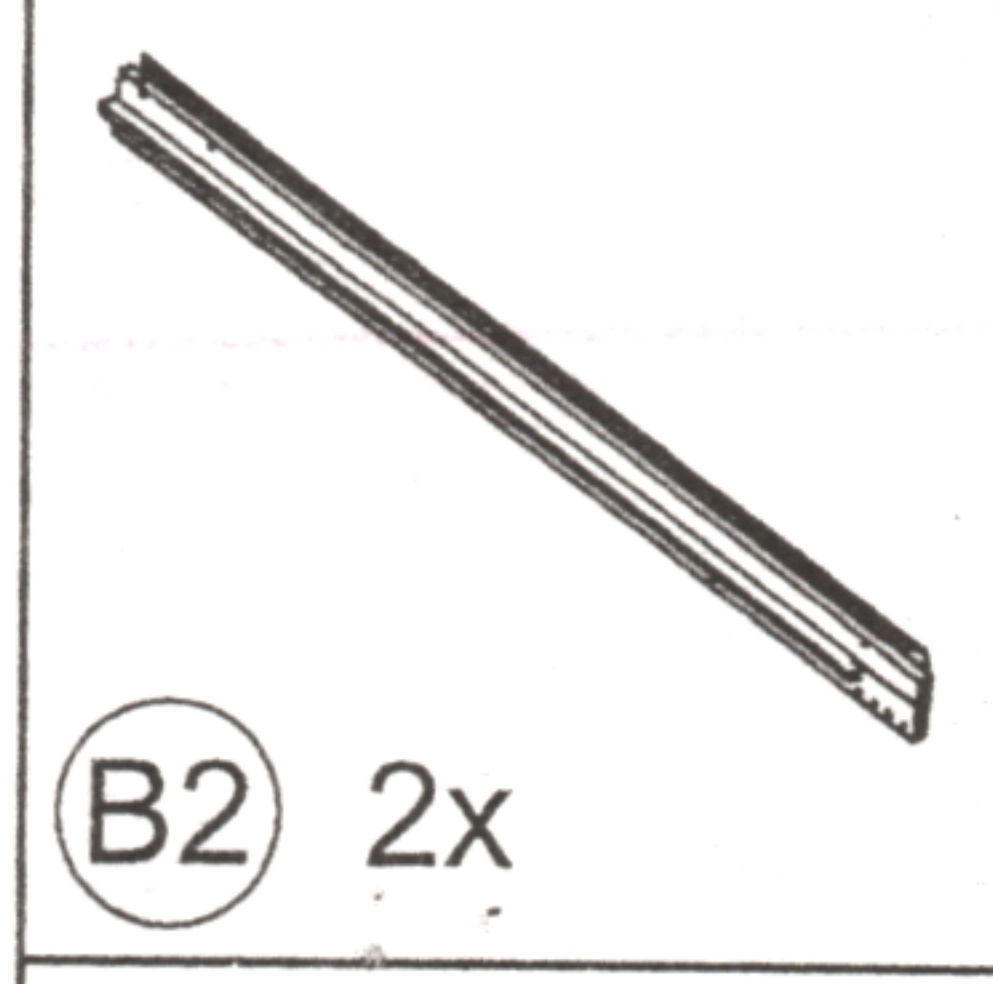
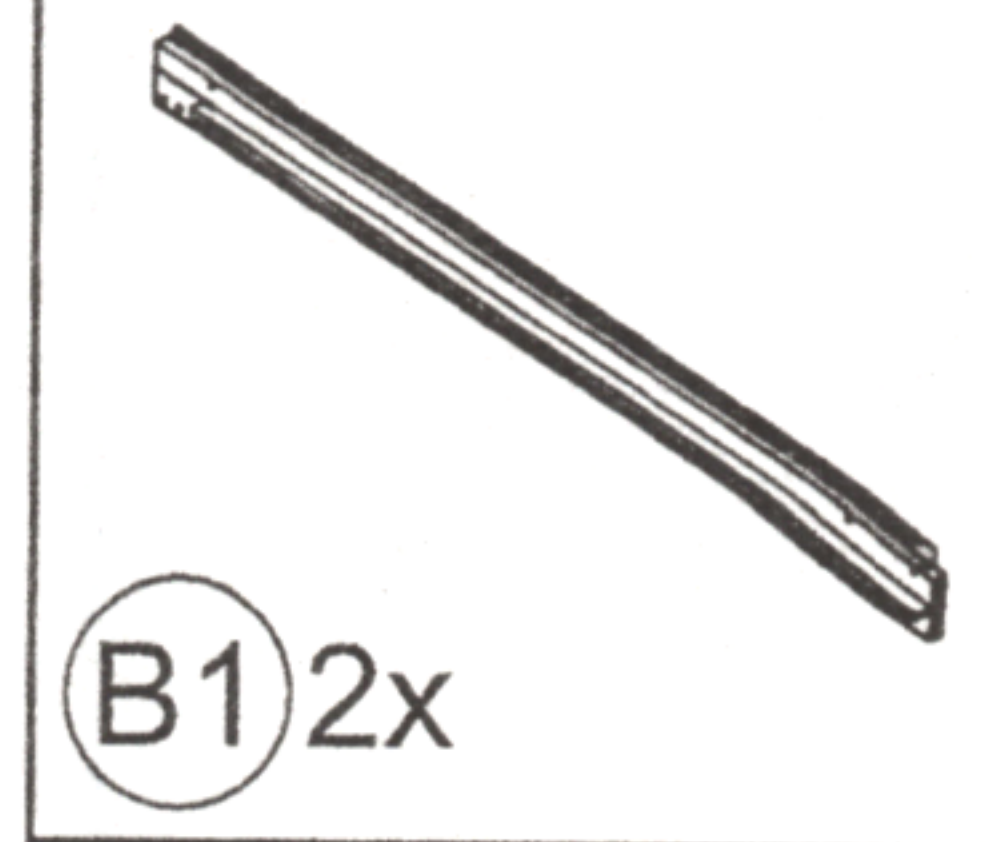


WQG-030-1

<1>



<2>



<3>

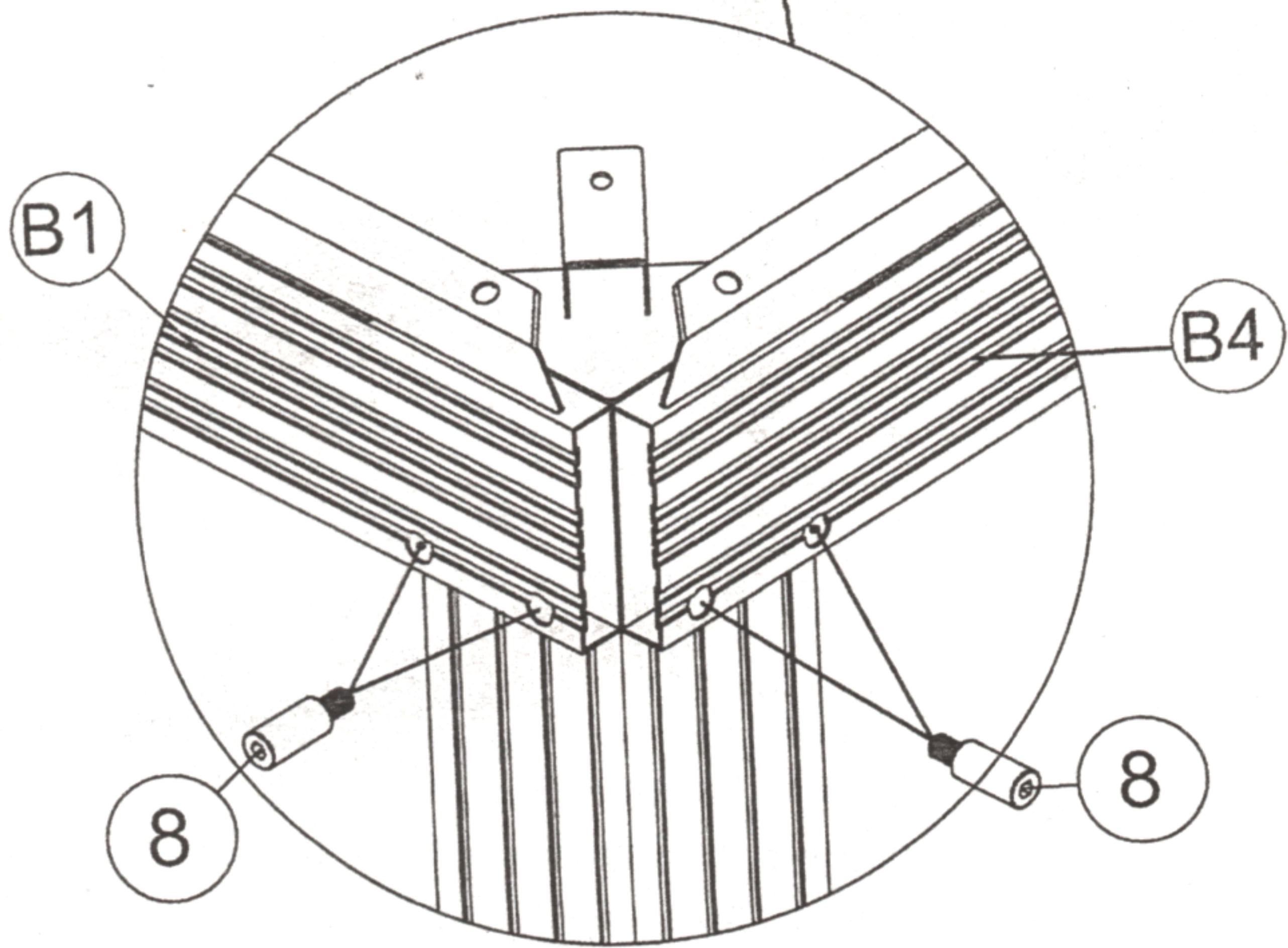
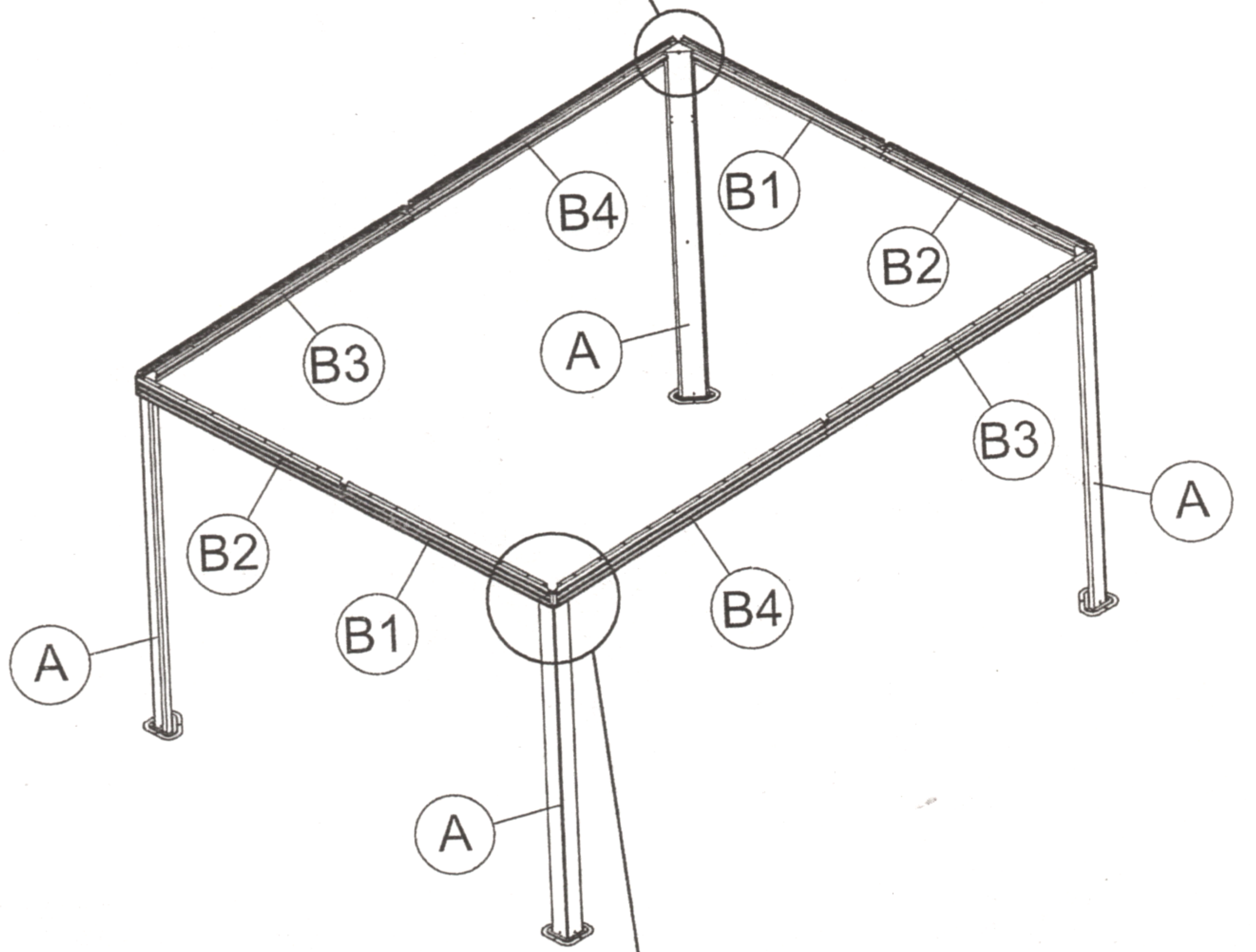
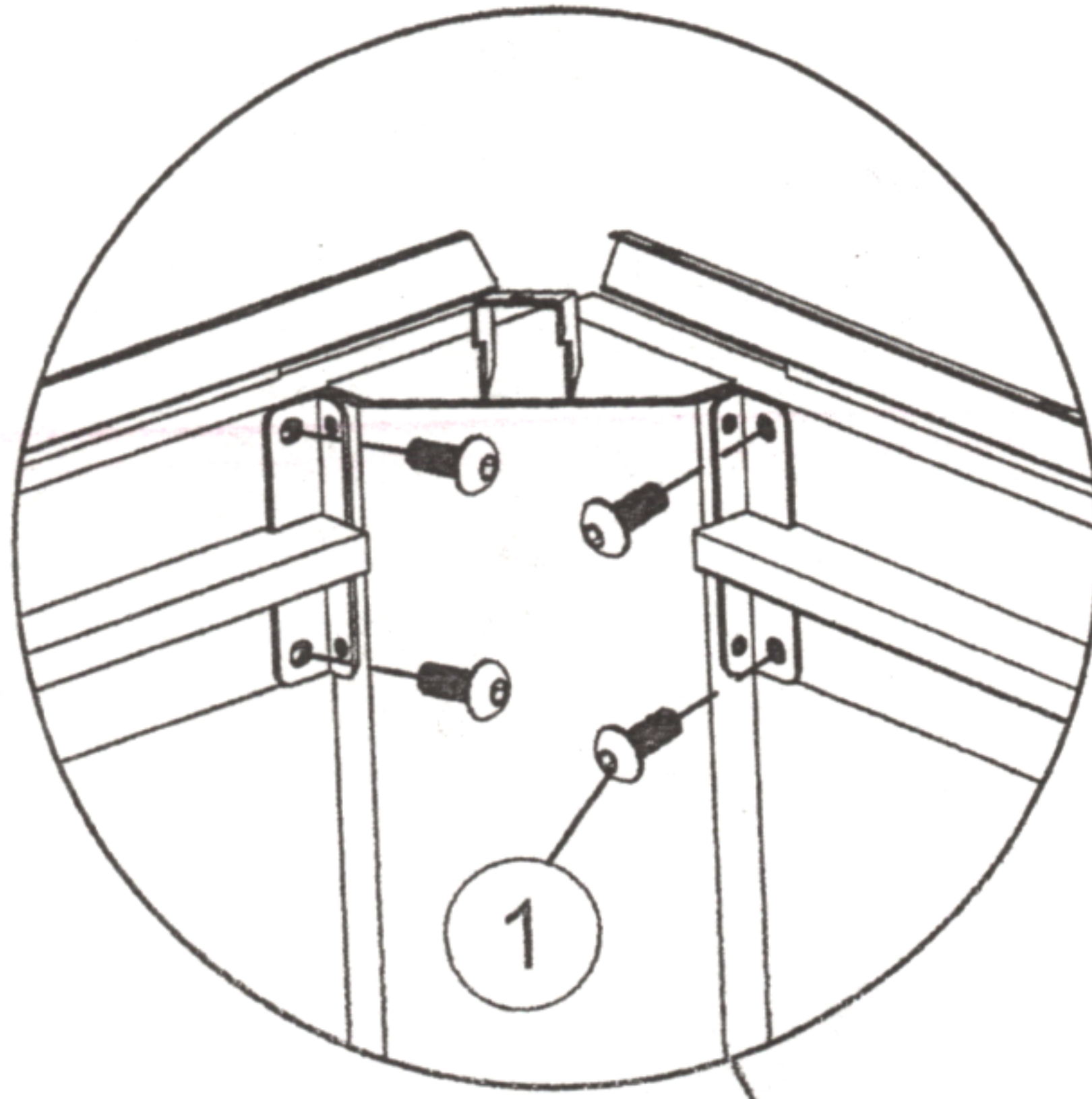


8 16x

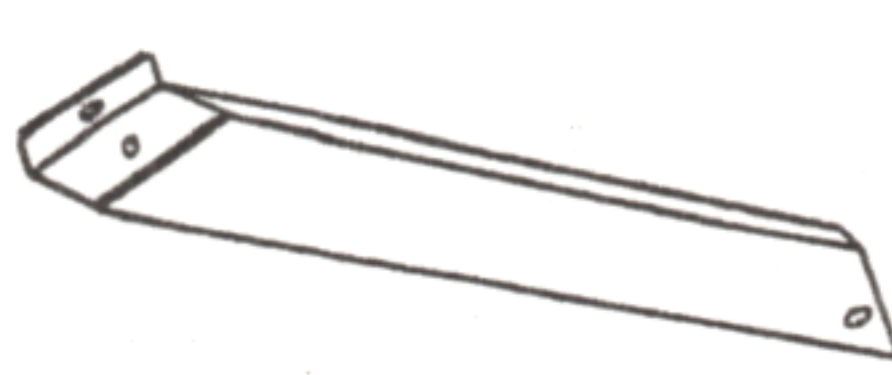
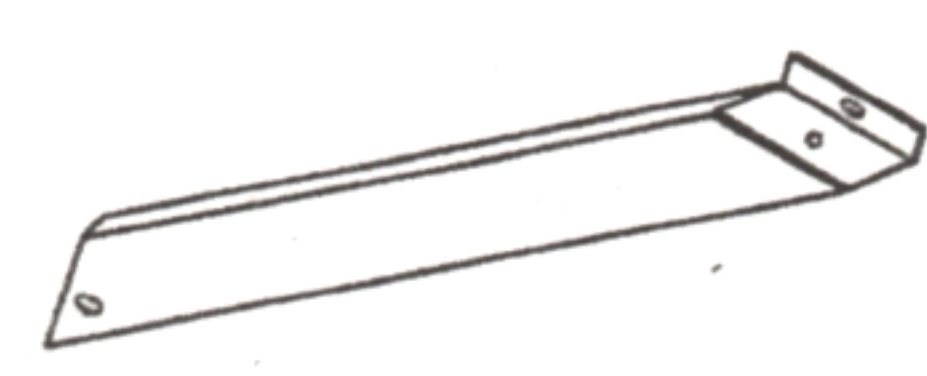




M6x15

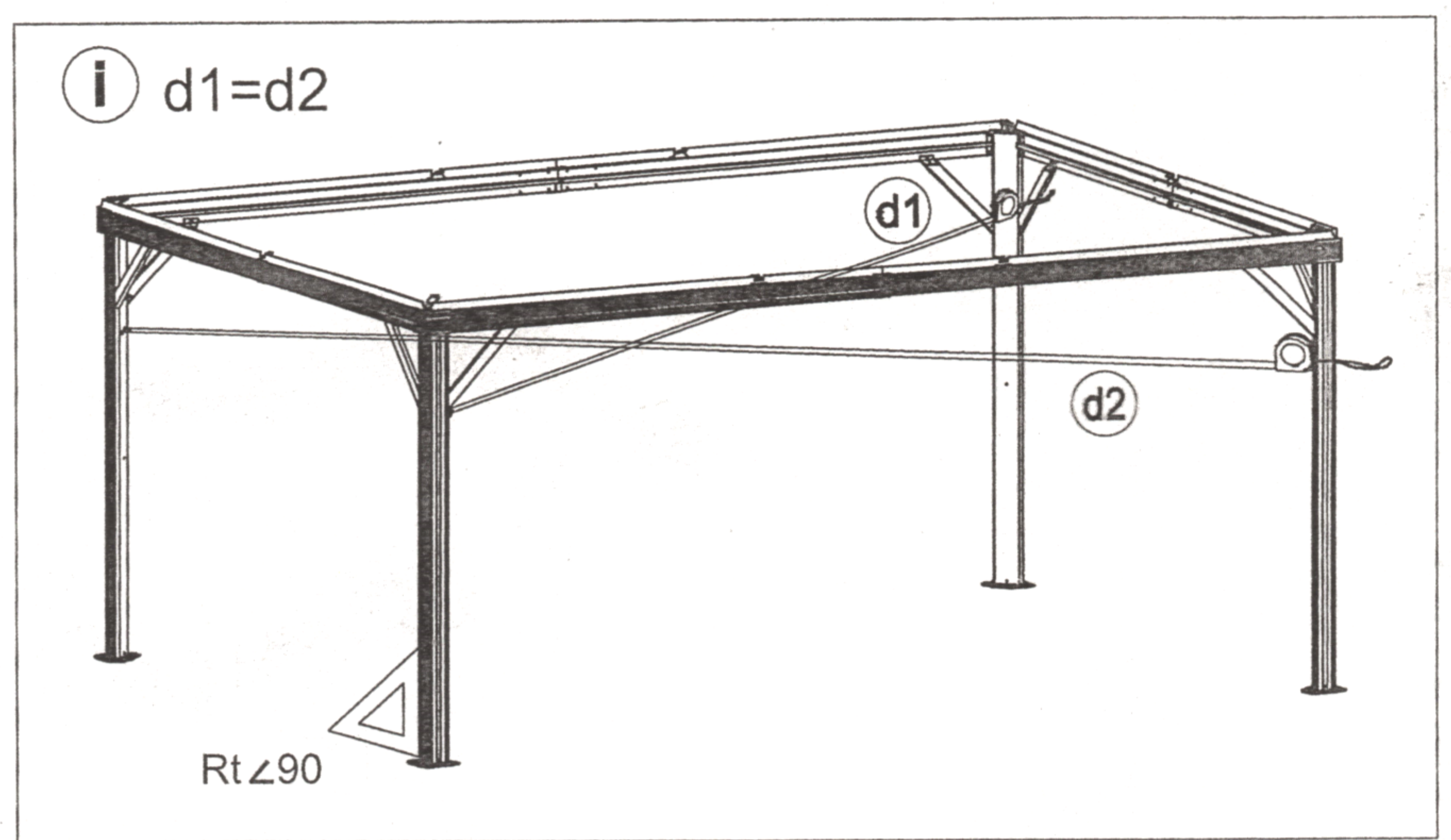
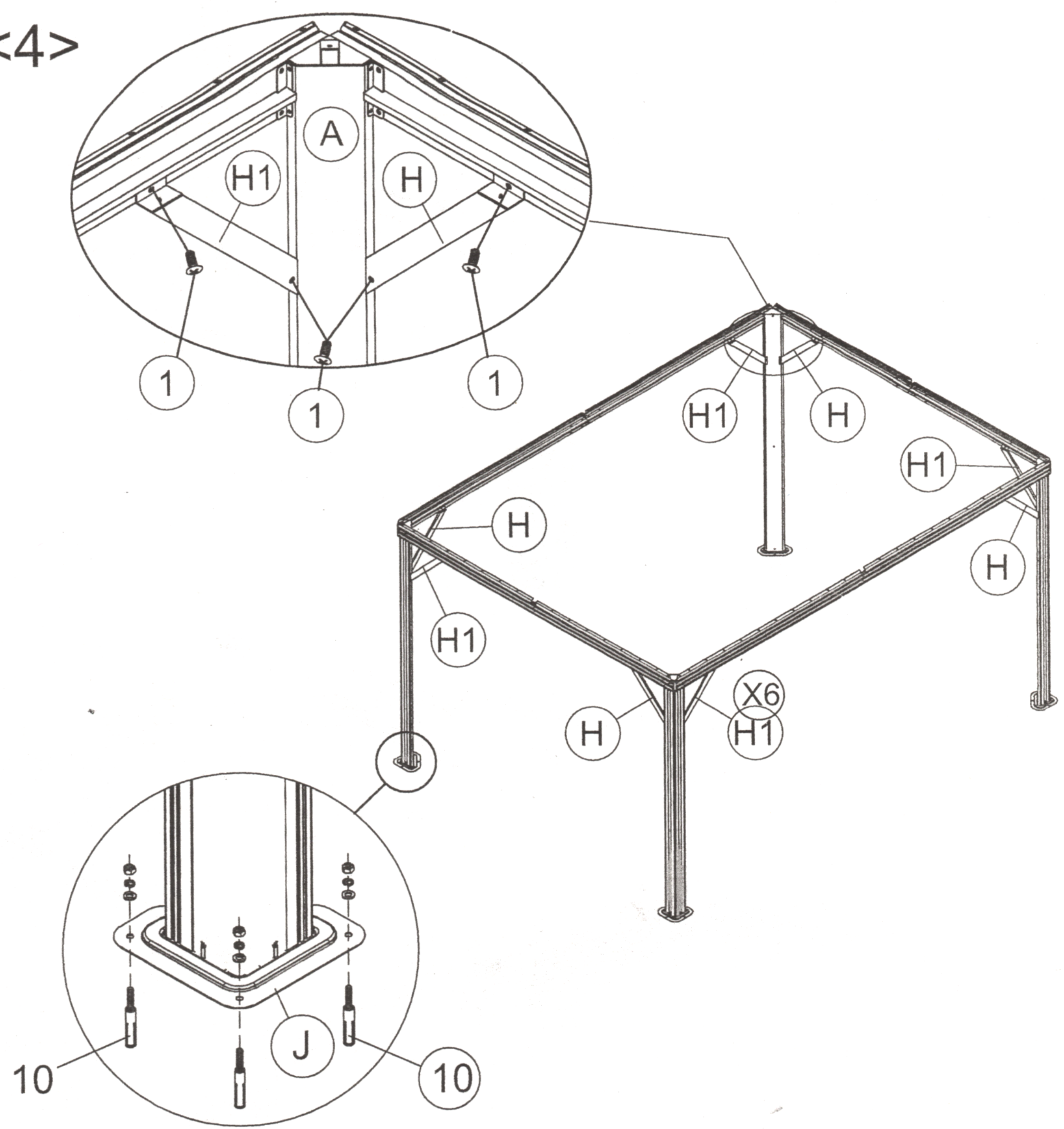
1 16x



7

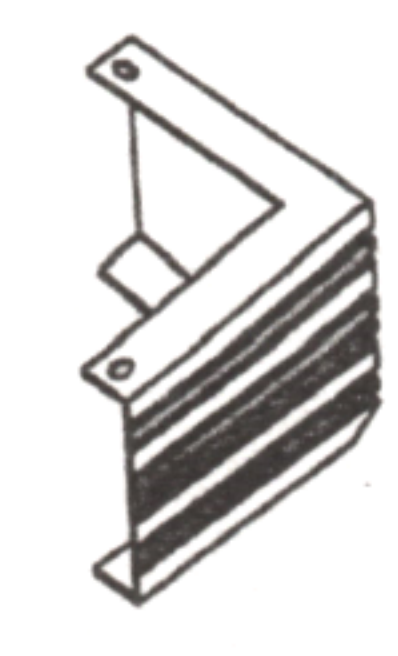
-  **H1** 4x
-  **H** 4x
-  **M6x15**
1 16x
-  **10** 12x

<4>

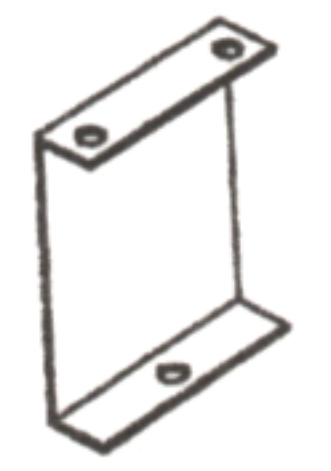


Tips: Please measure to make sure the length of $d1$ is equal to $d2$ before moving to next step to ensure a square frame and best results. Keep the beam at right angles to the post, the post at right angles to the ground, and keep the beam horizontal.

<5>



(K) 4x



(K1) 4x



(U) 120x



(V) 4x



M6x15

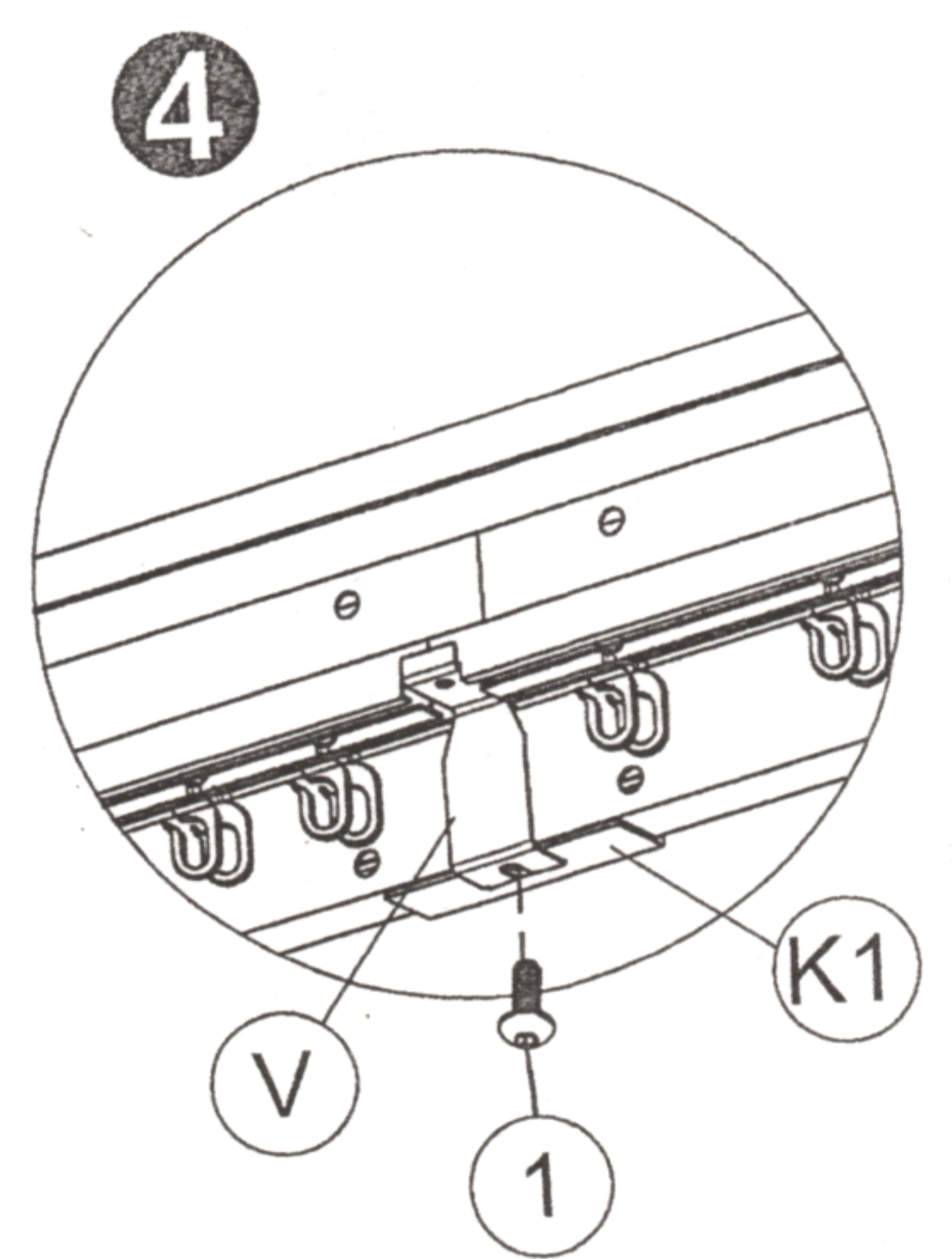
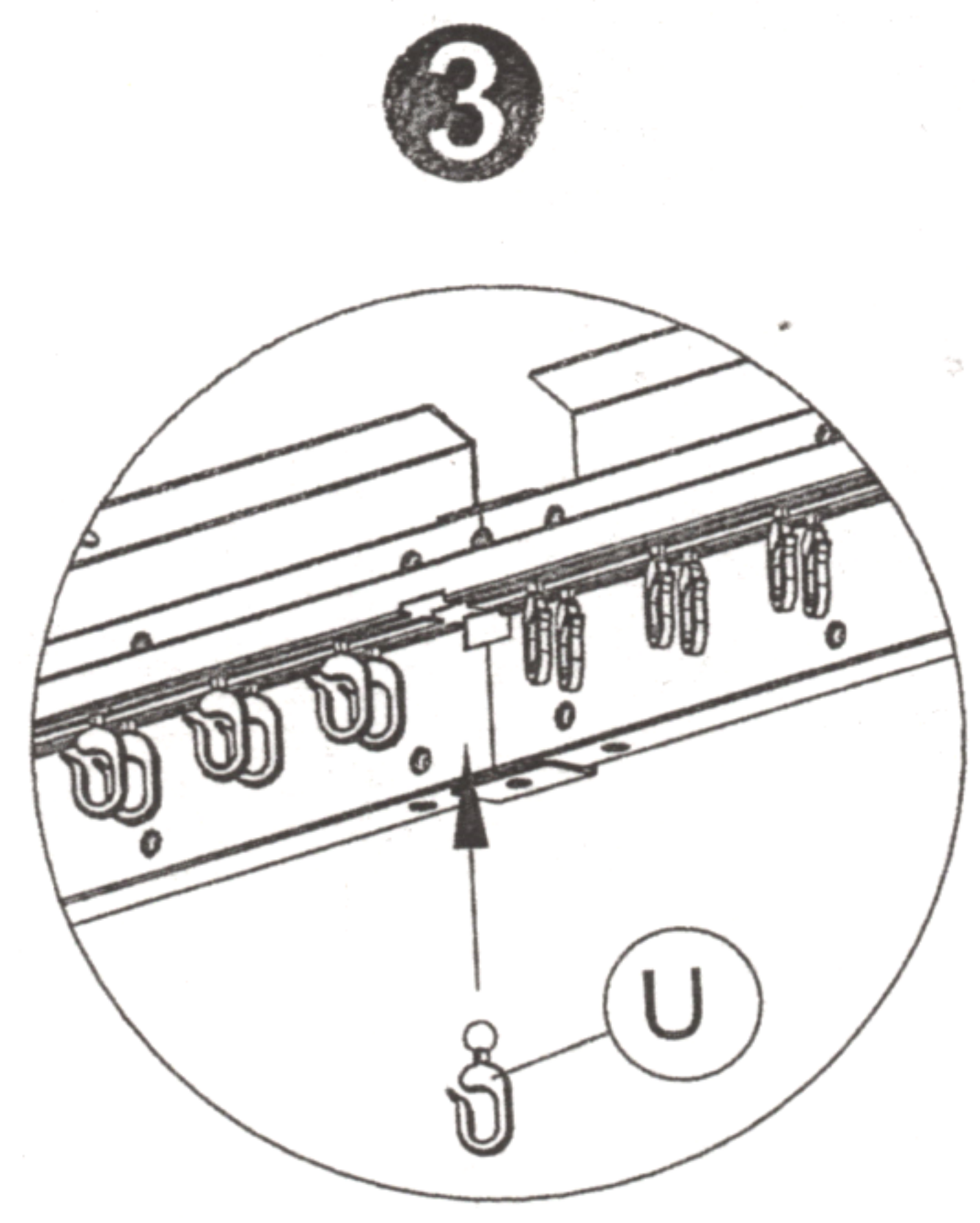
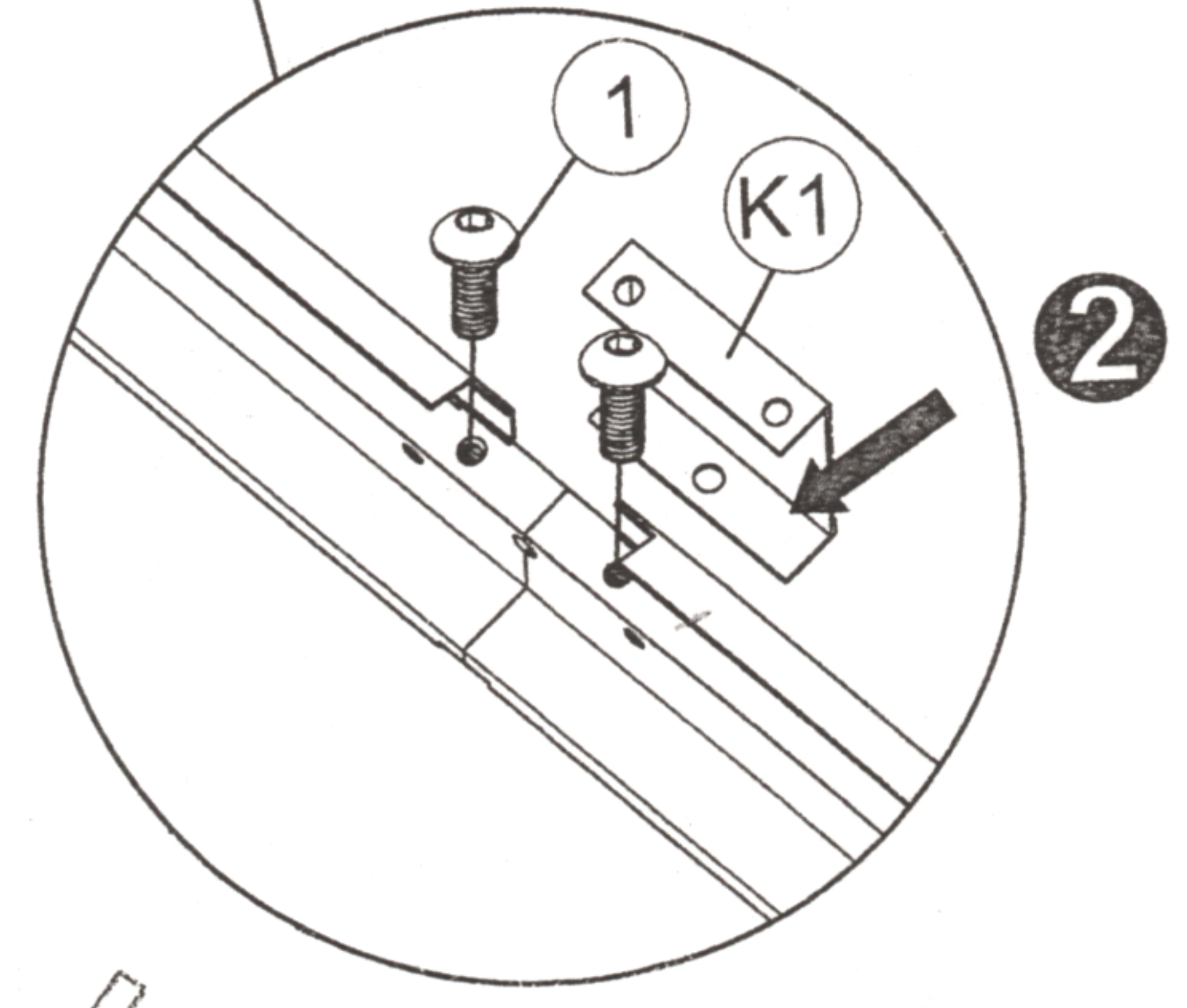
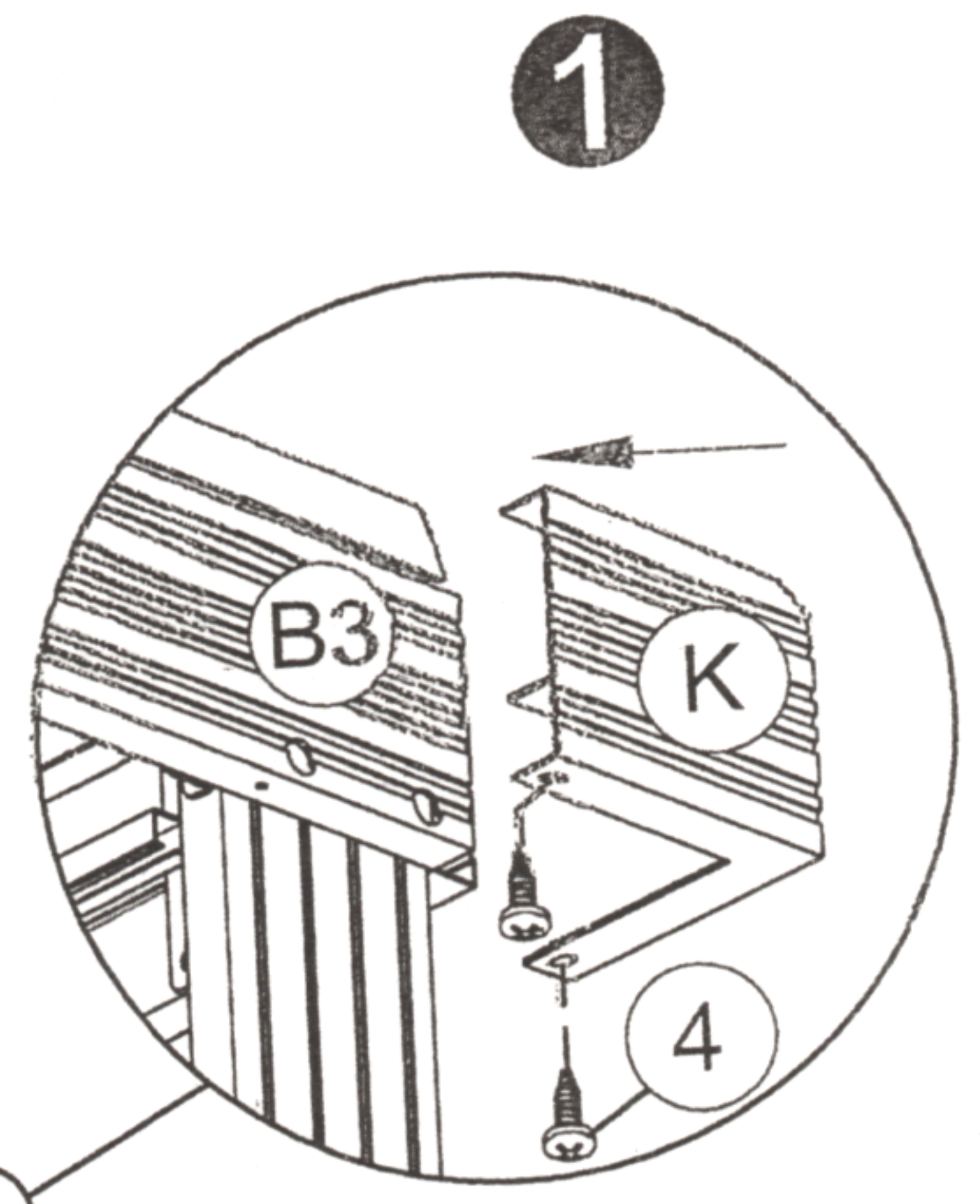
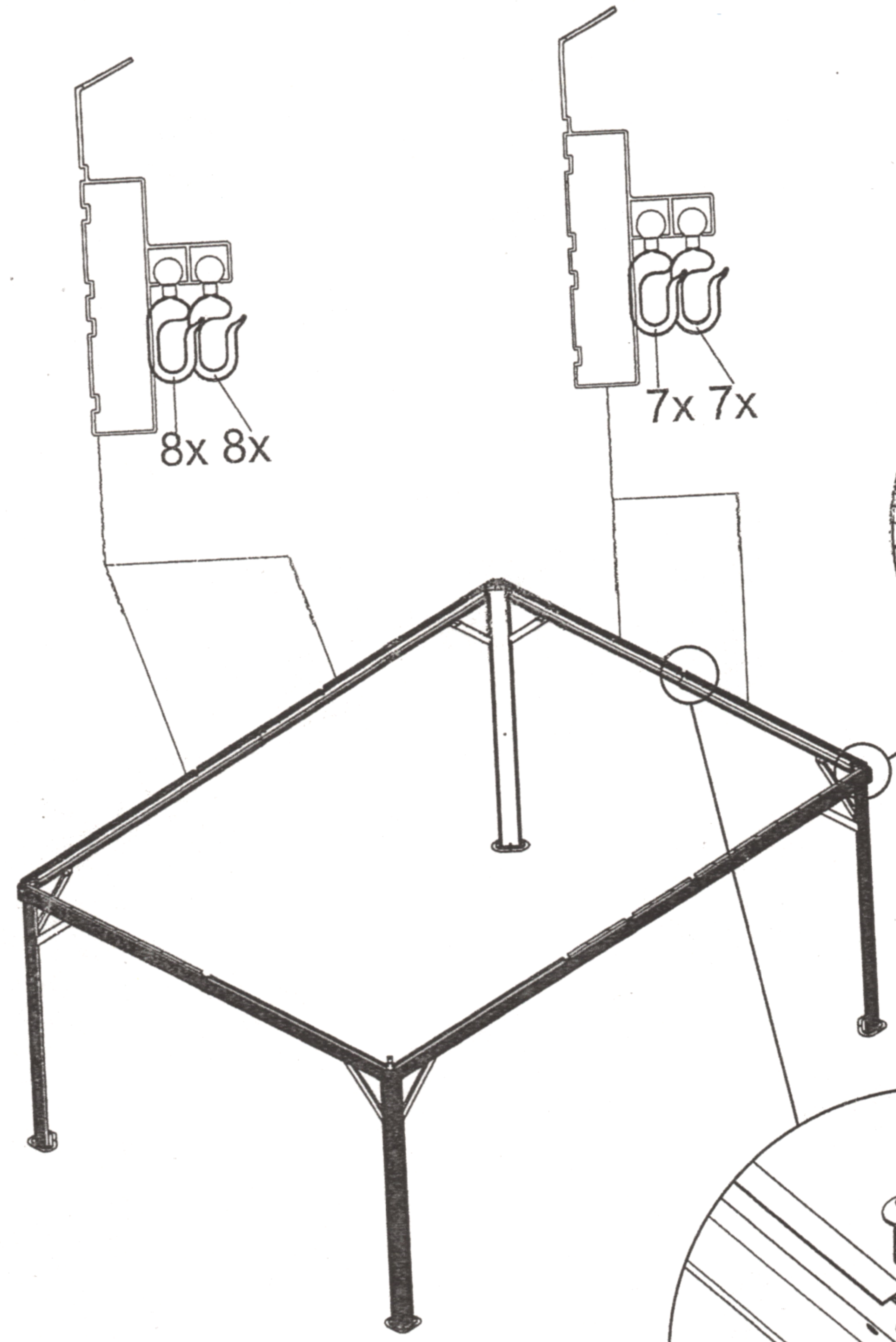
(1) 12x



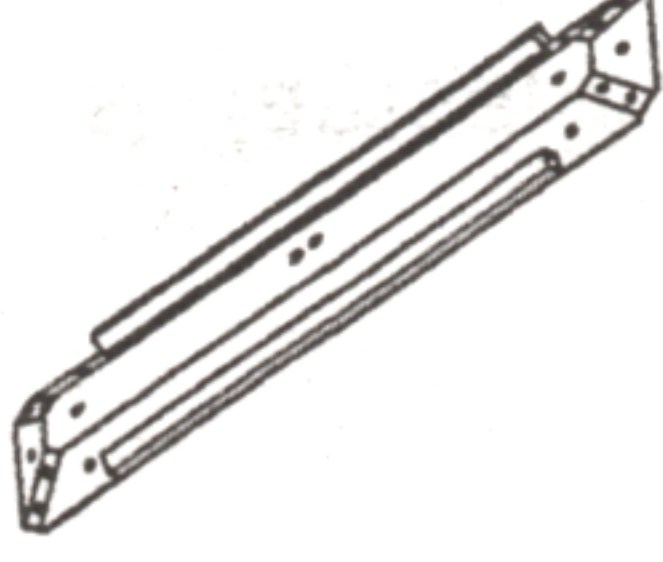

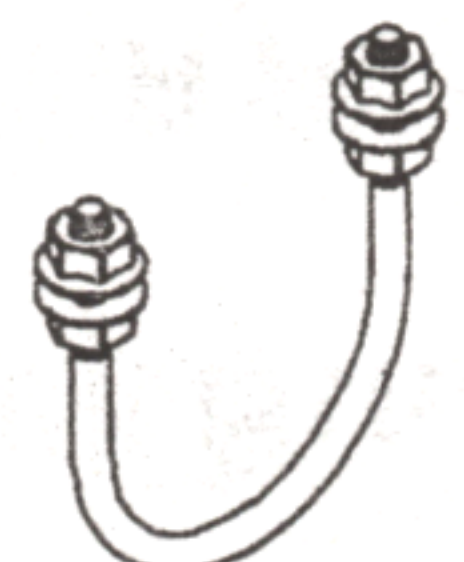


ST4.8x12

(4) 8x

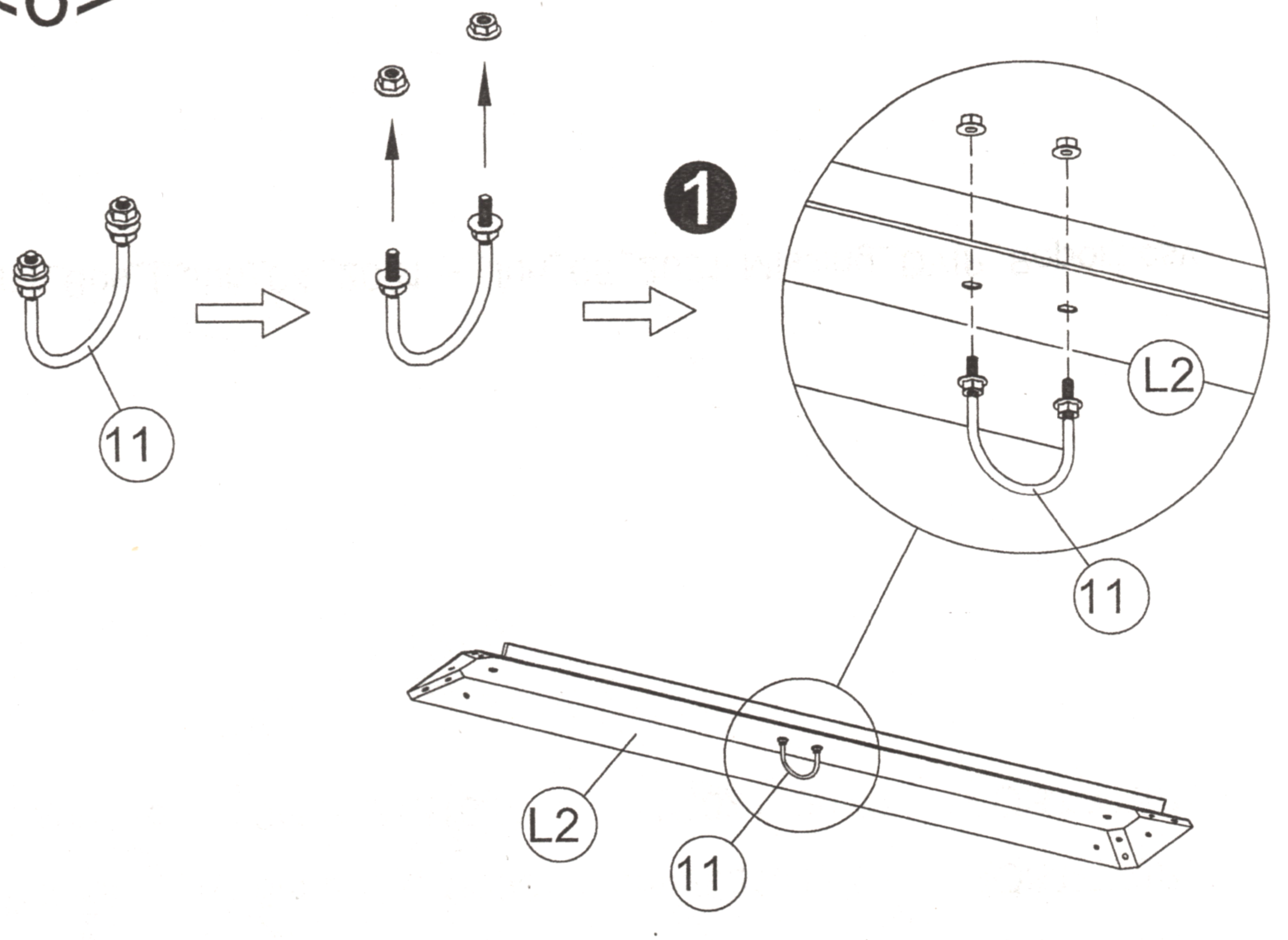
9



-  **D** 4x
-  **E5** 4x
-  **L2** 1x
-  **1** 16x
-  **11** 1x

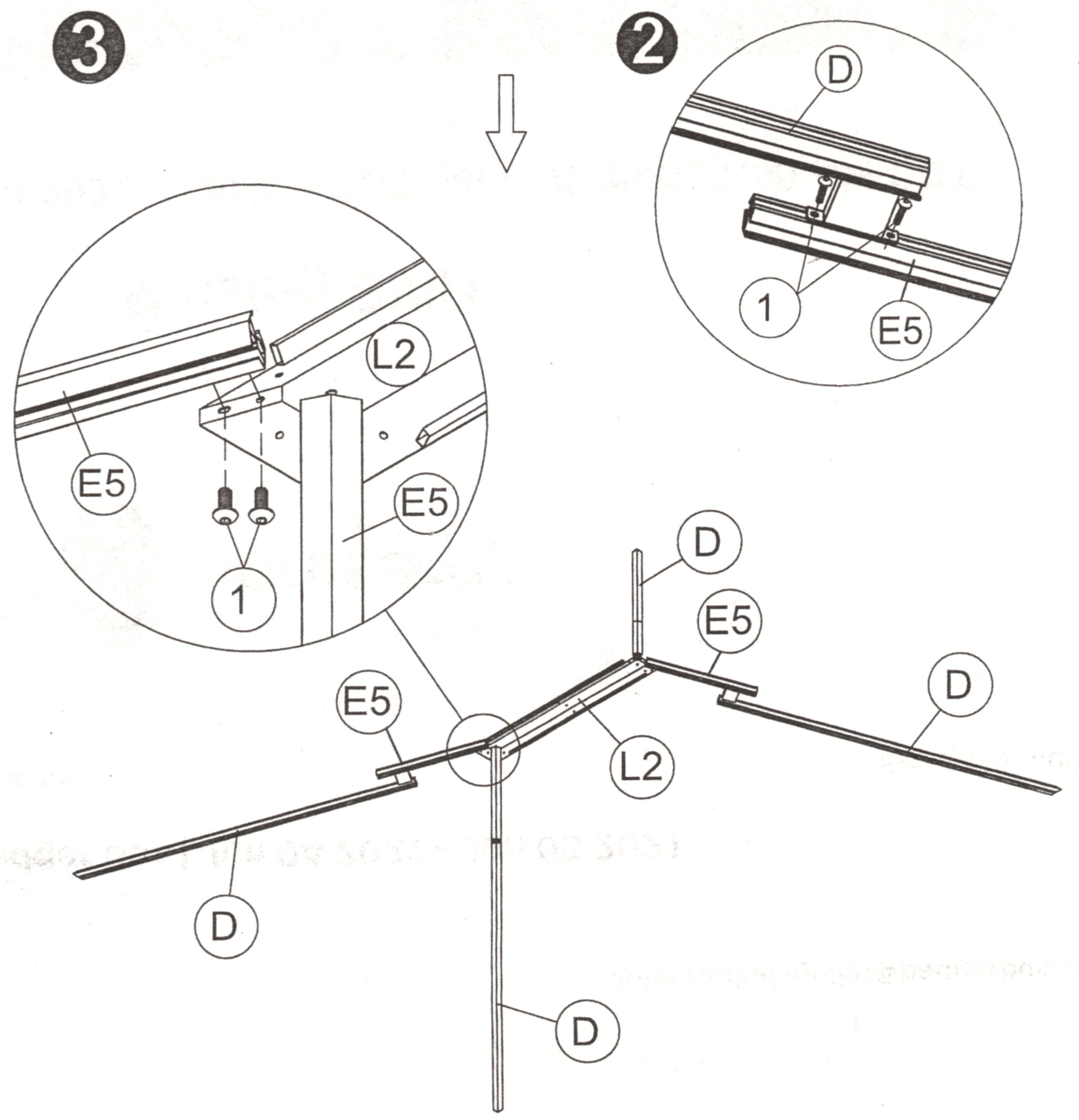
10

<6>



3

2



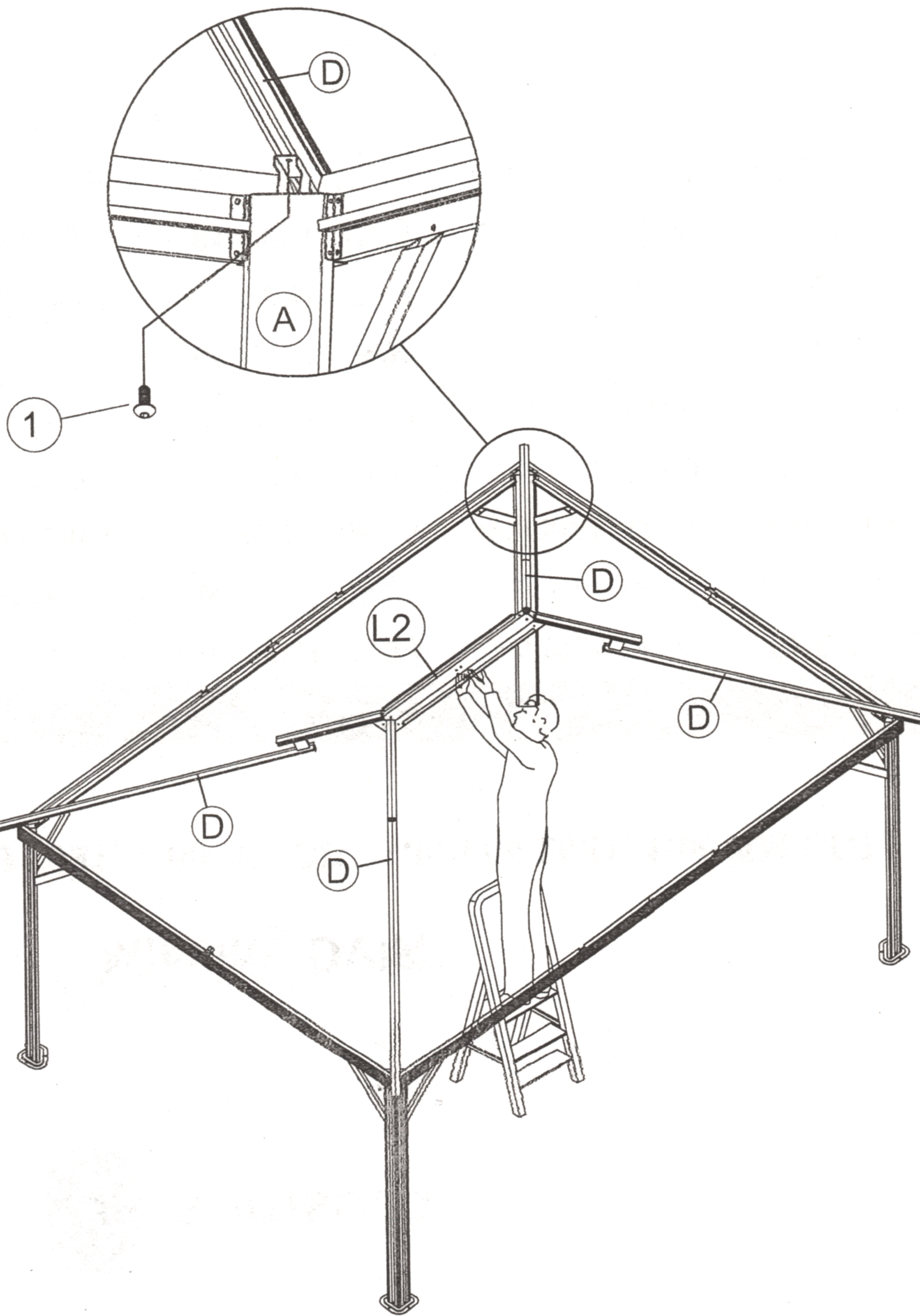


<7>

1

4x

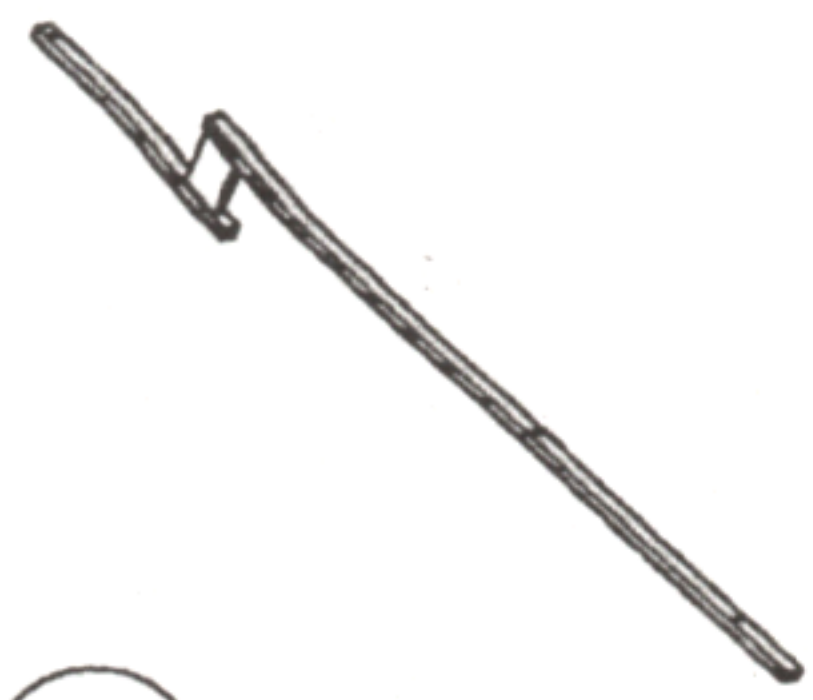
M6x15



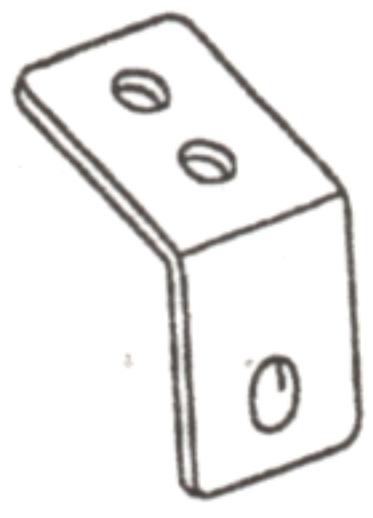
Note:

1. Let one person stand on the ladder to lift "L2" and hold and let others fasten the screws connecting both ends of "D".
2. Please do not let go of holding "L2" until all the "D" screws are installed.

11



D1 6x



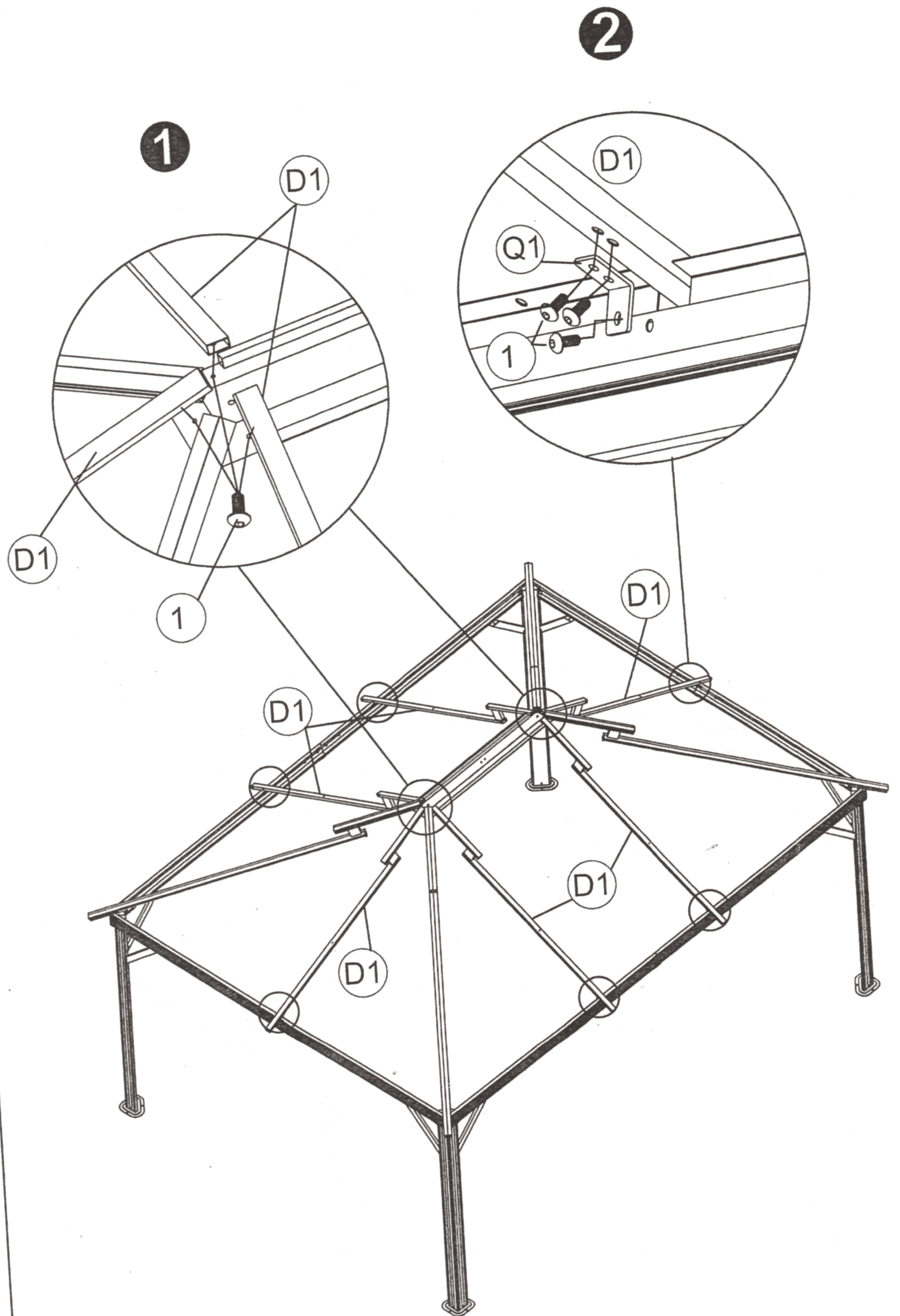
Q1 6x



M6x15

1 24x

<8>



<9>



G1 2x



G2 2x

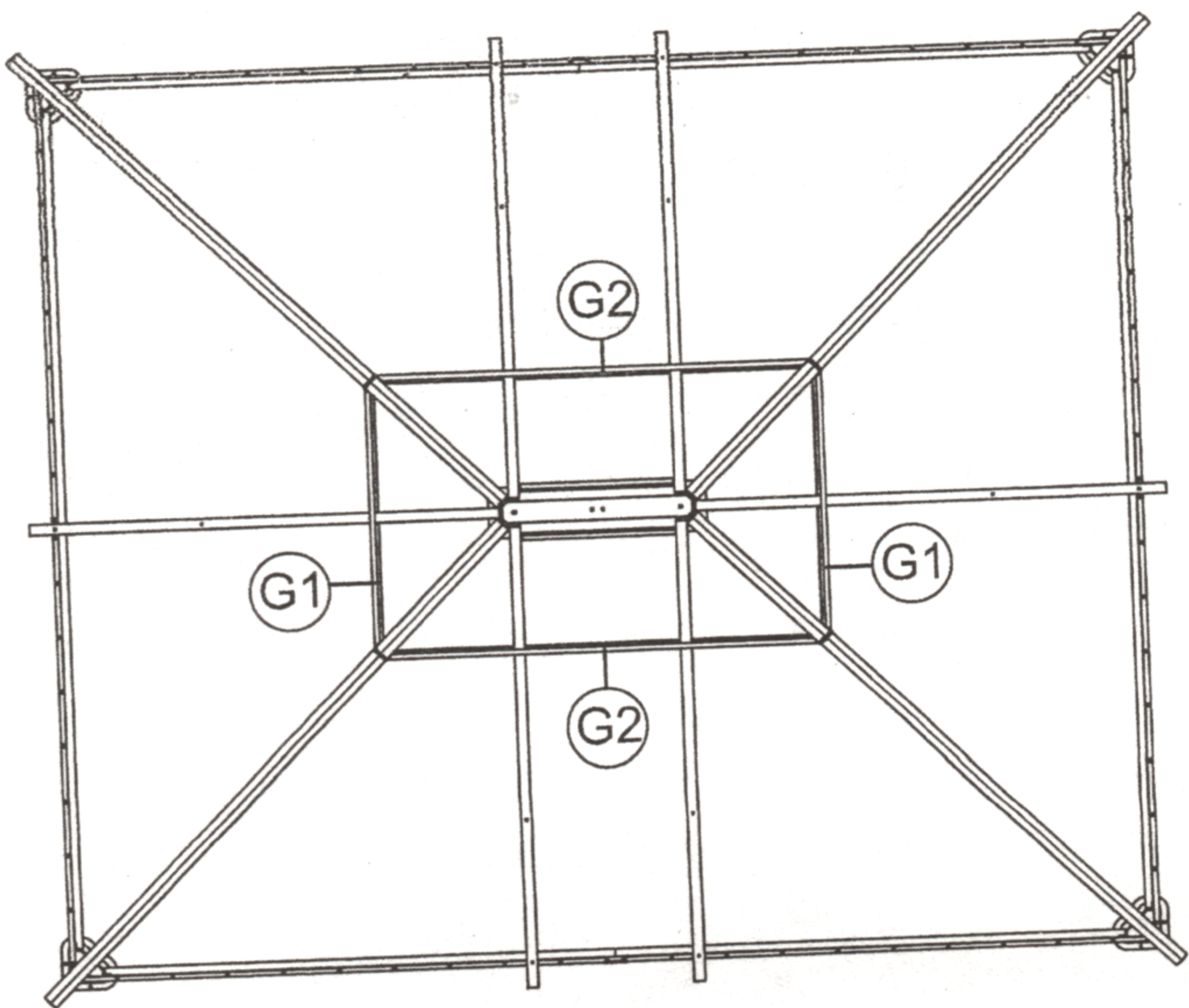
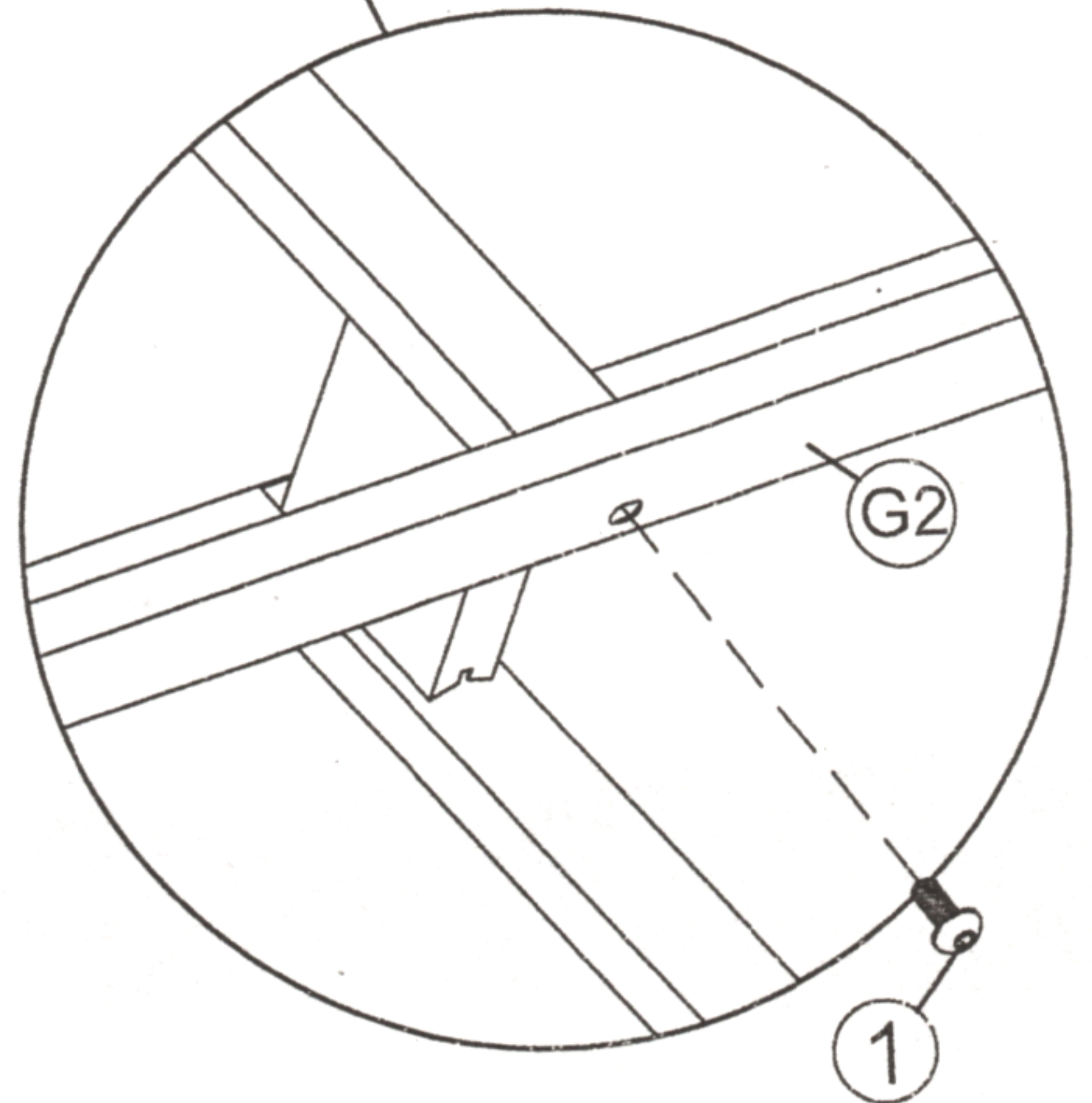
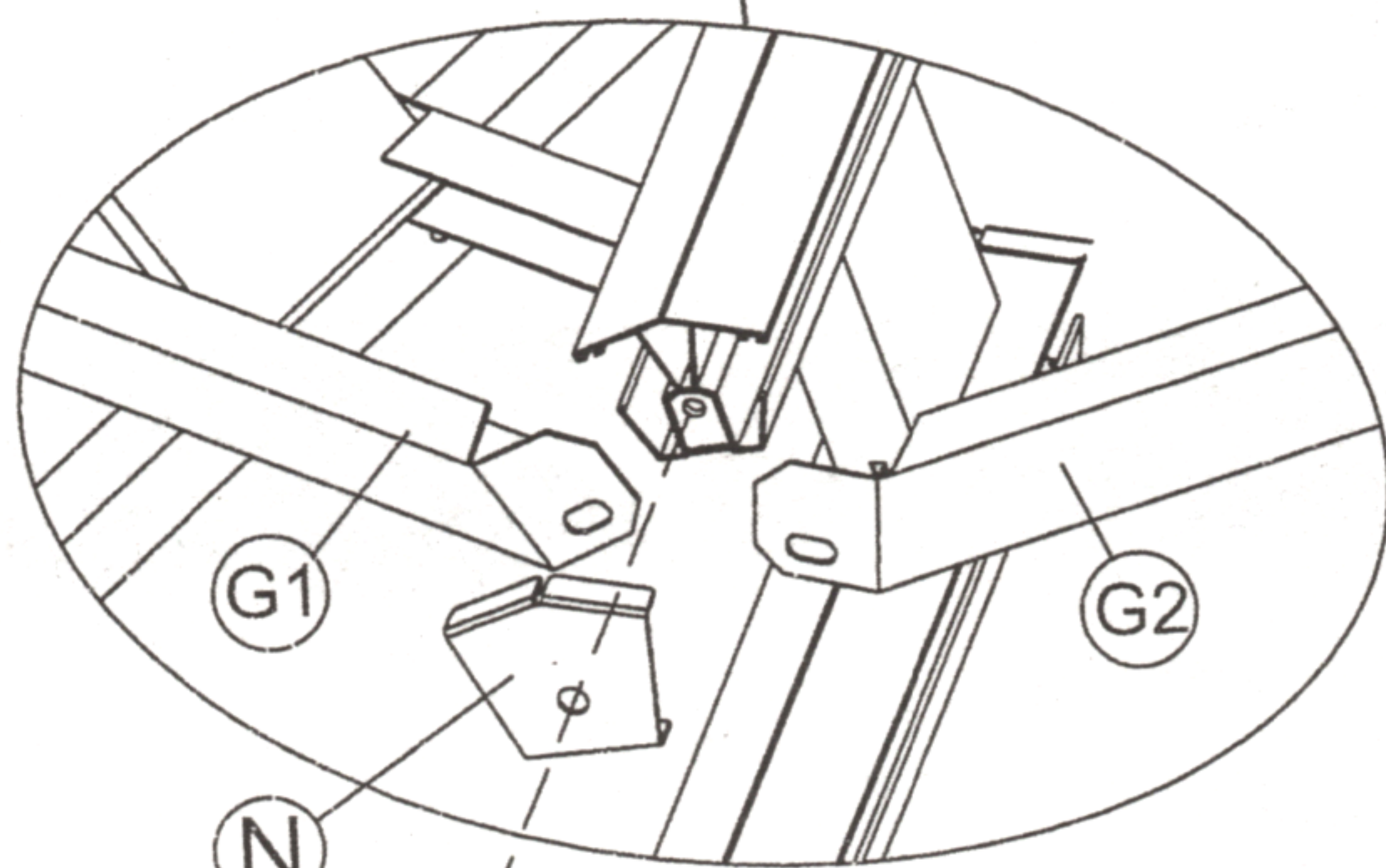
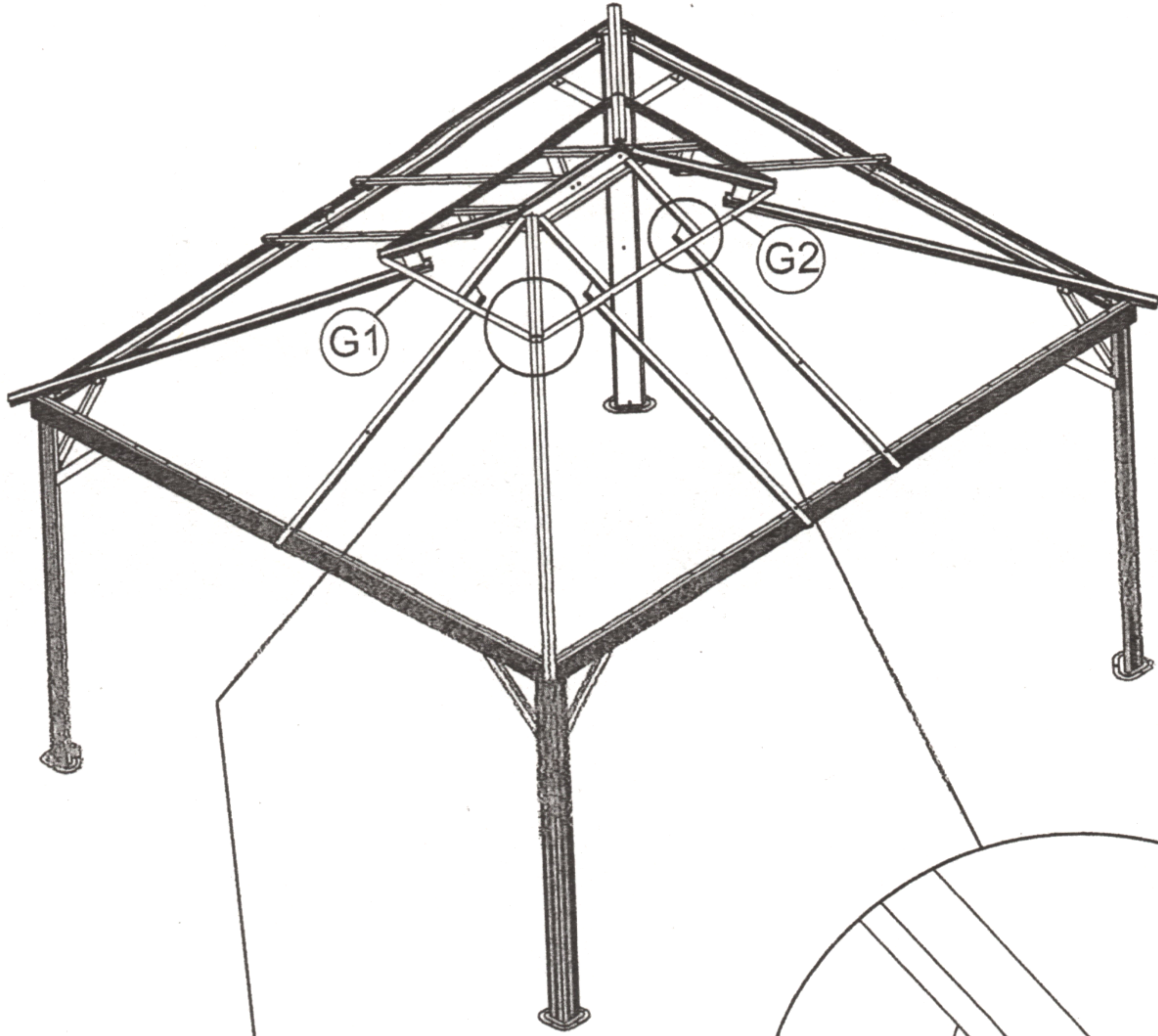


N 4x

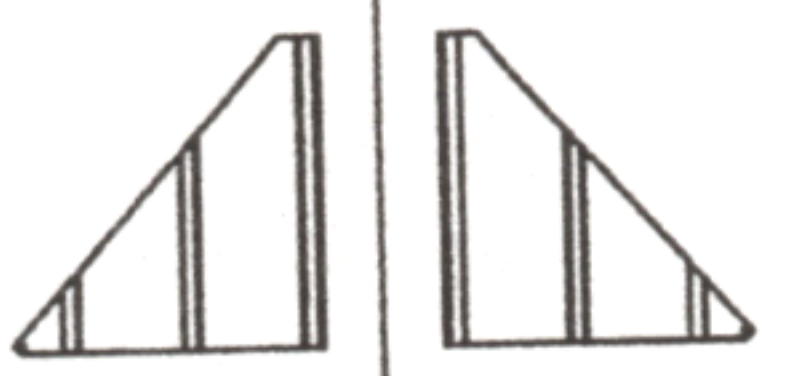


M6x15

1 10x



<10>



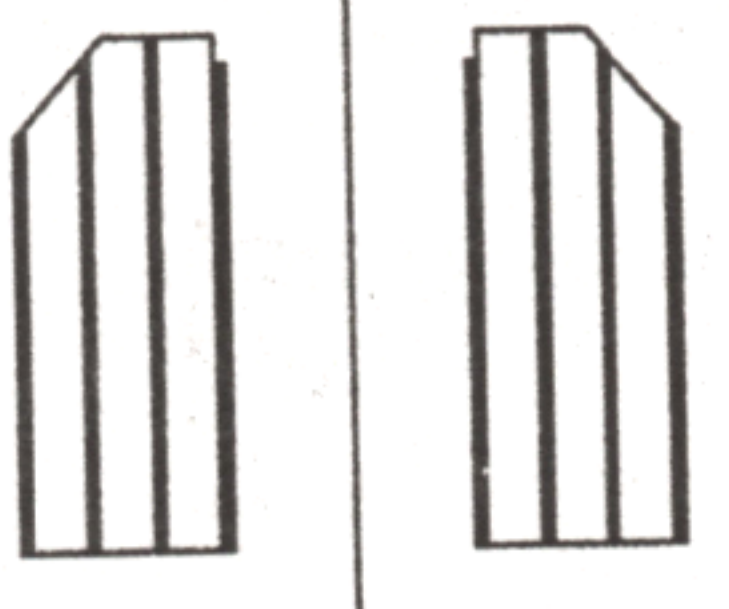
(S1) 2x (S2) 2x



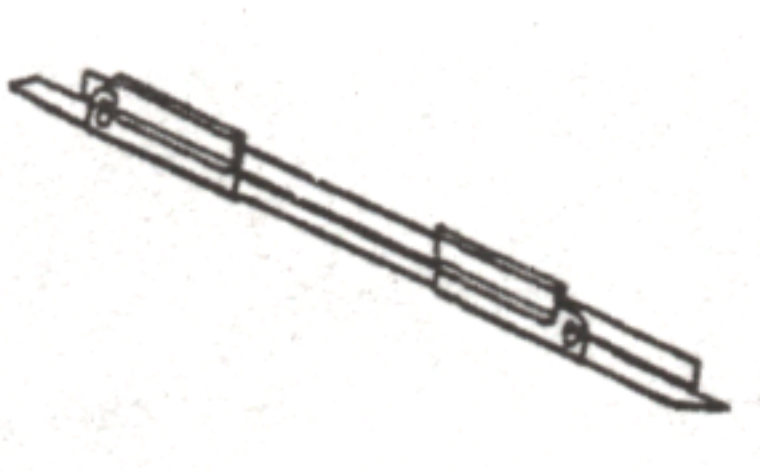
(X1) 2x (X2) 2x



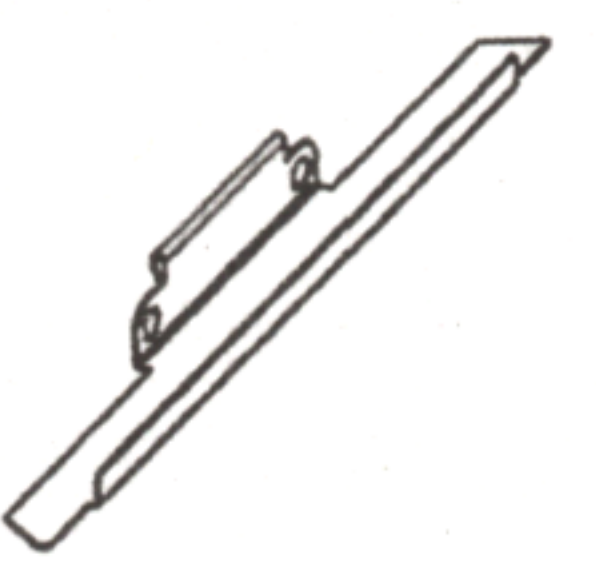
(X3) 2x (X4) 2x



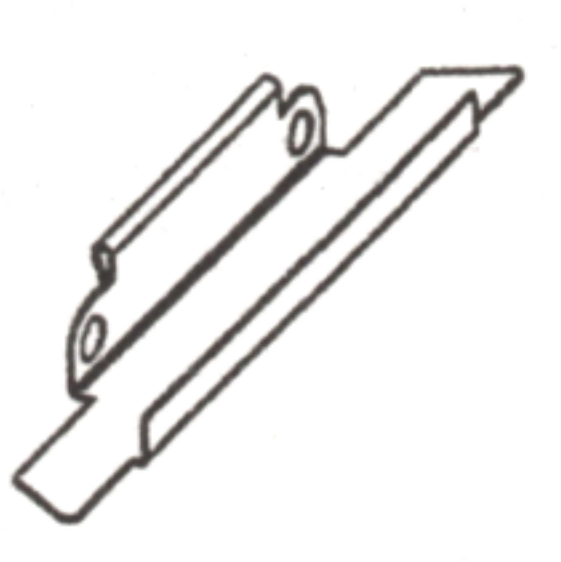
(X5) 2x (X6) 2x



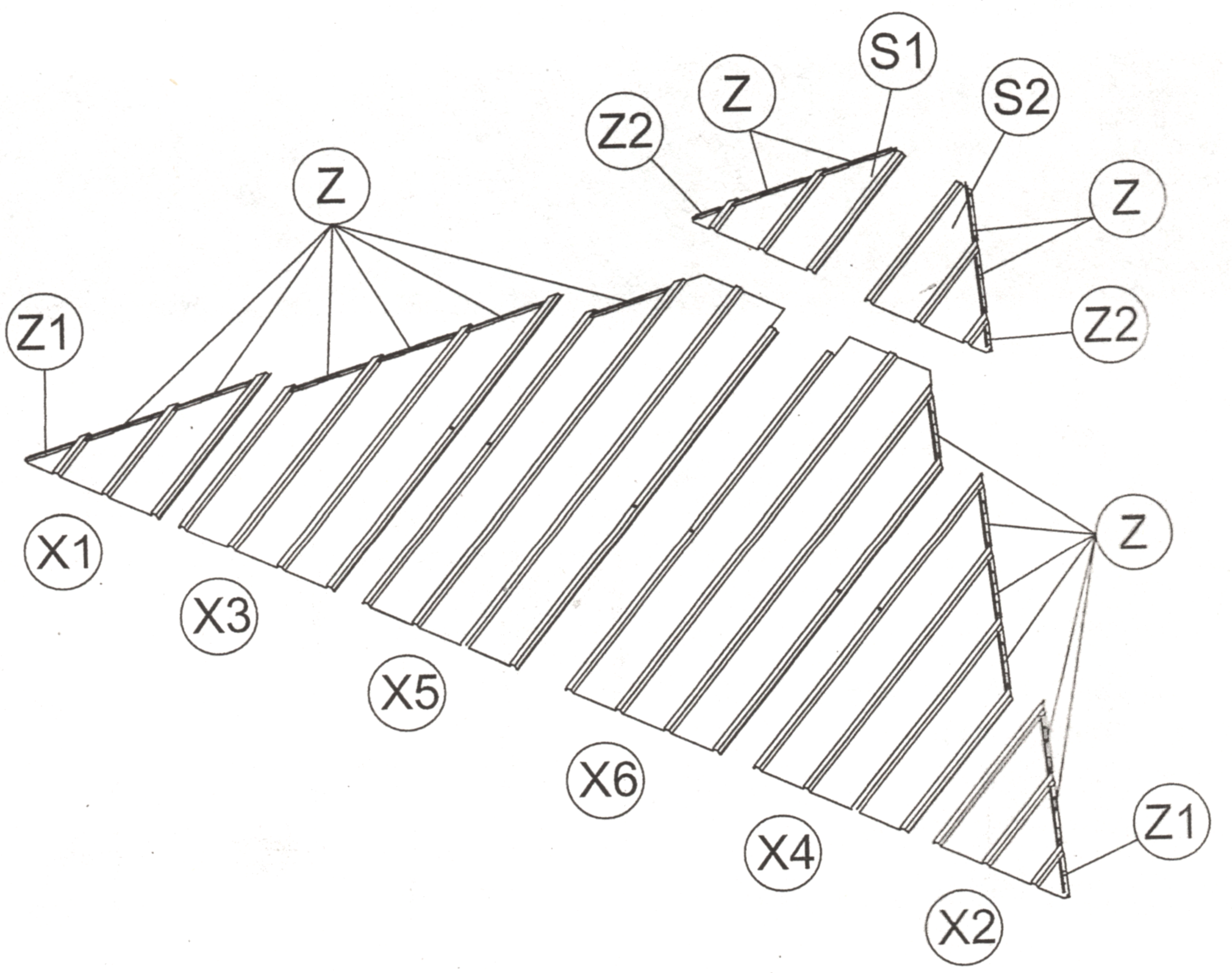
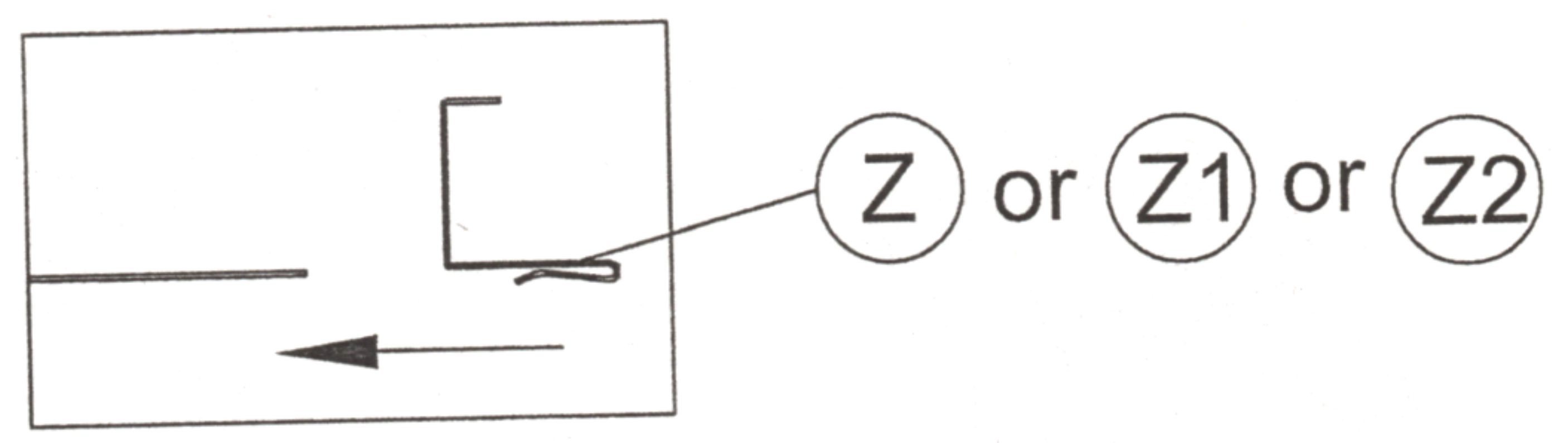
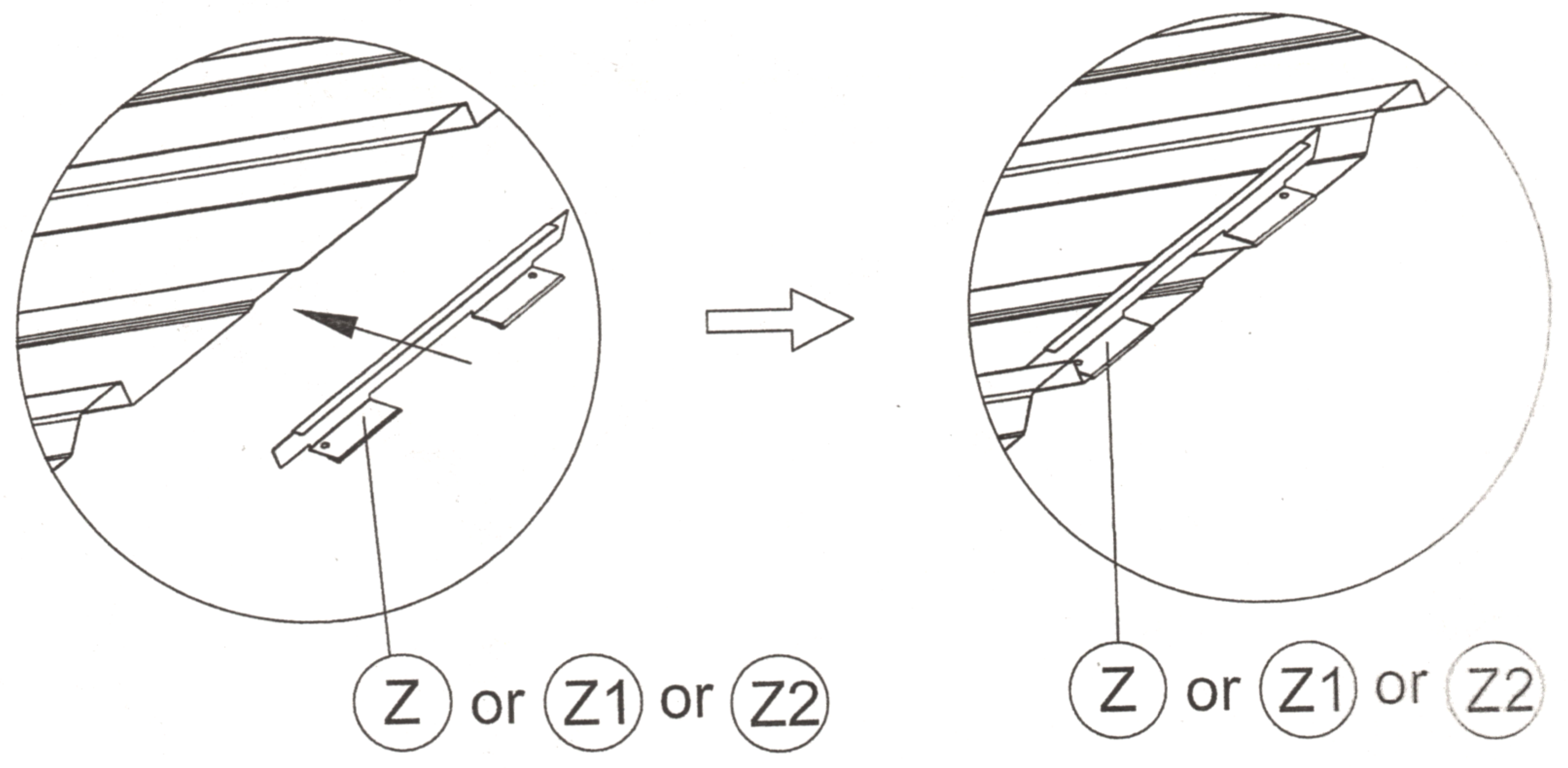
(Z) 32x

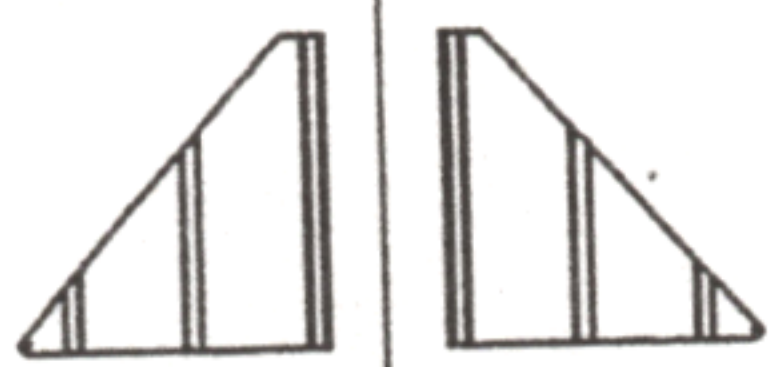


(Z1) 4x

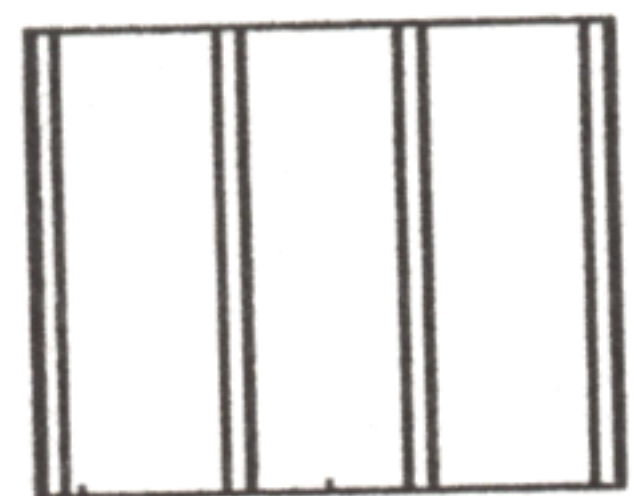


(Z2) 4x





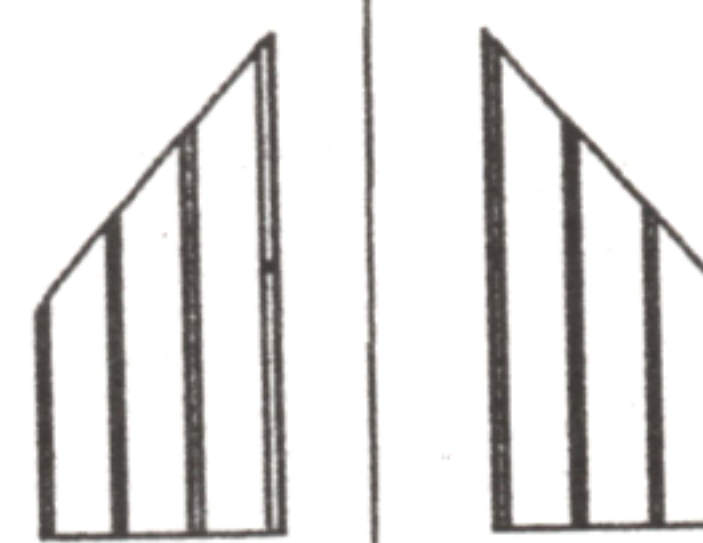
(S1) 2x (S2) 2x



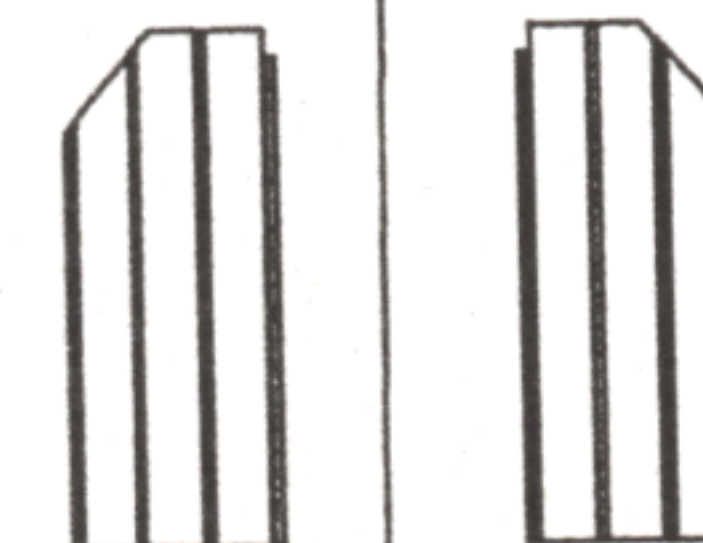
(S3) 2x



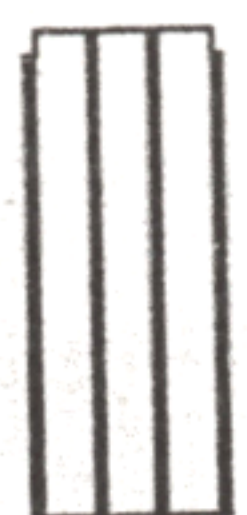
(X1) 2x (X2) 2x



(X3) 2x (X4) 2x



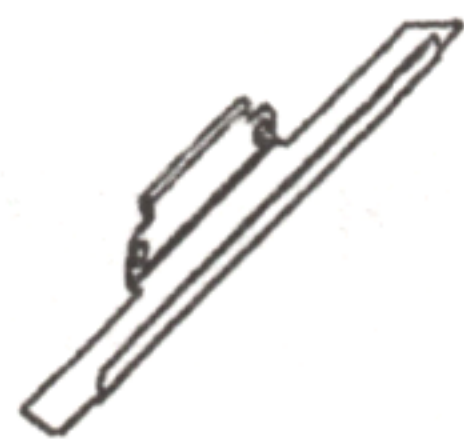
(X5) 2x (X6) 2x



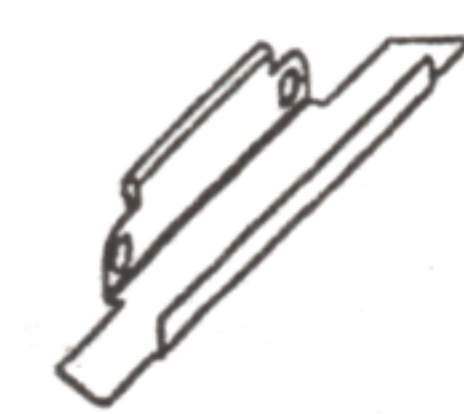
(X10) 2x



(Z) 32x



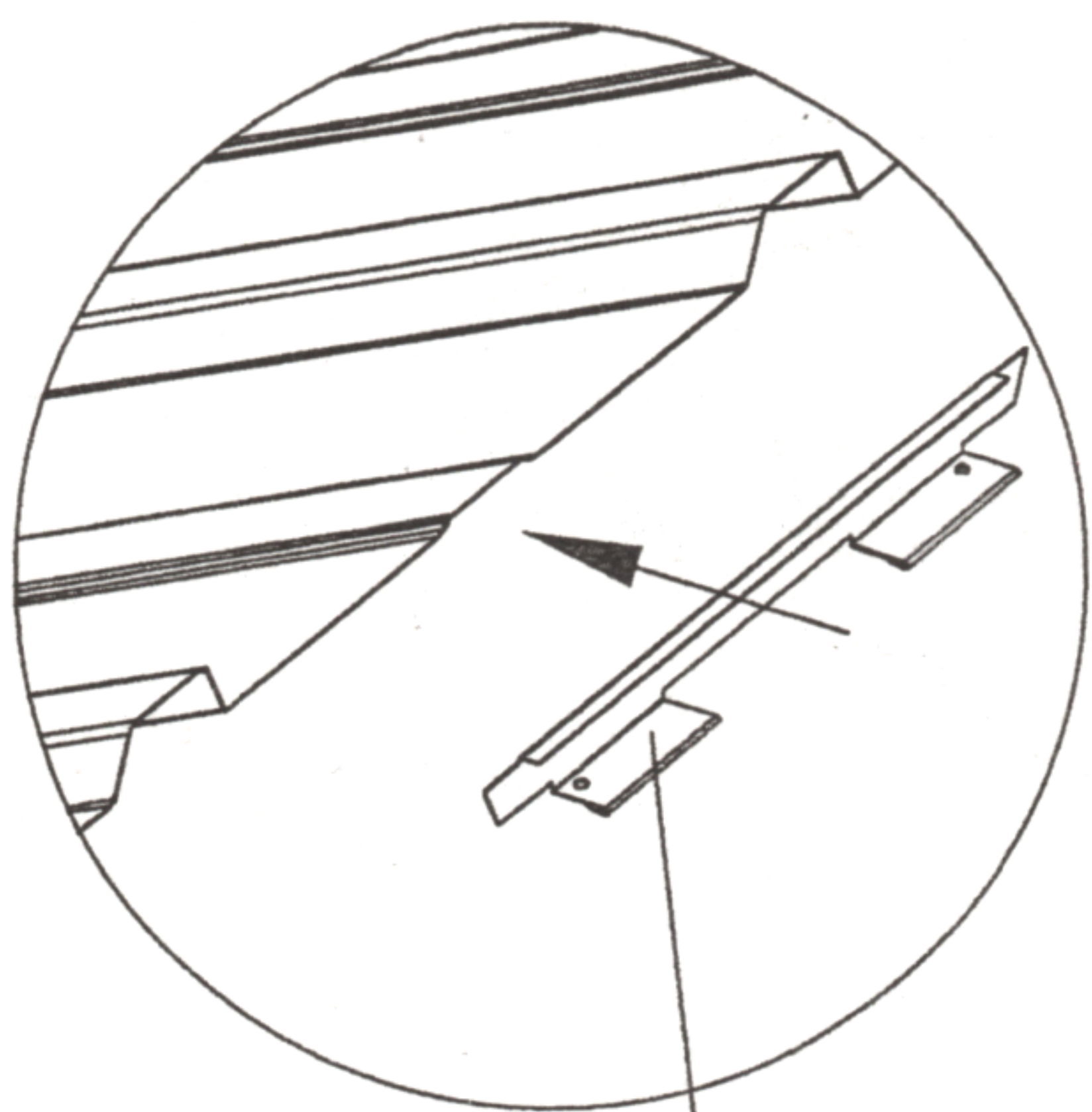
(Z1) 4x



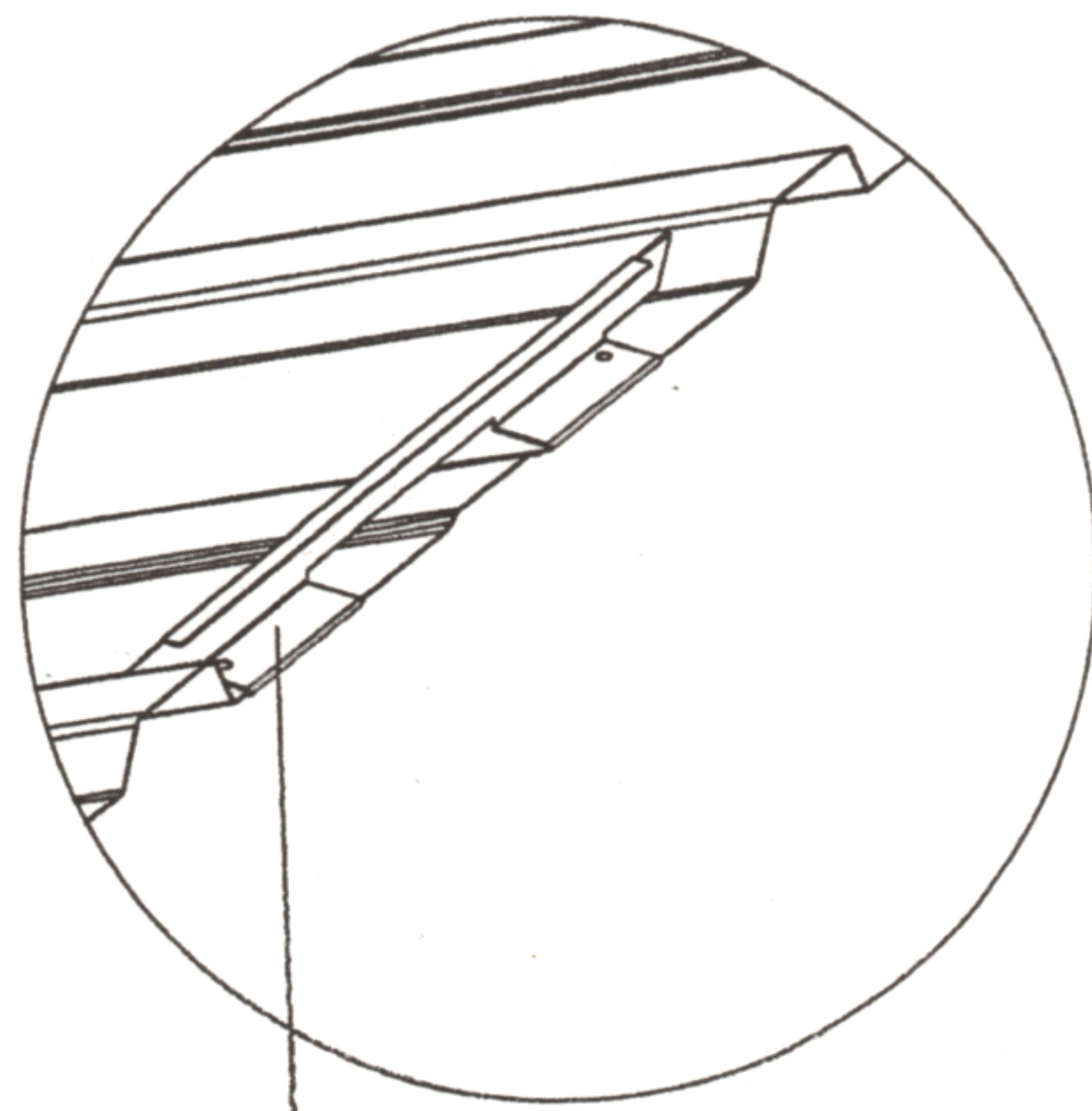
(Z2) 4x

15

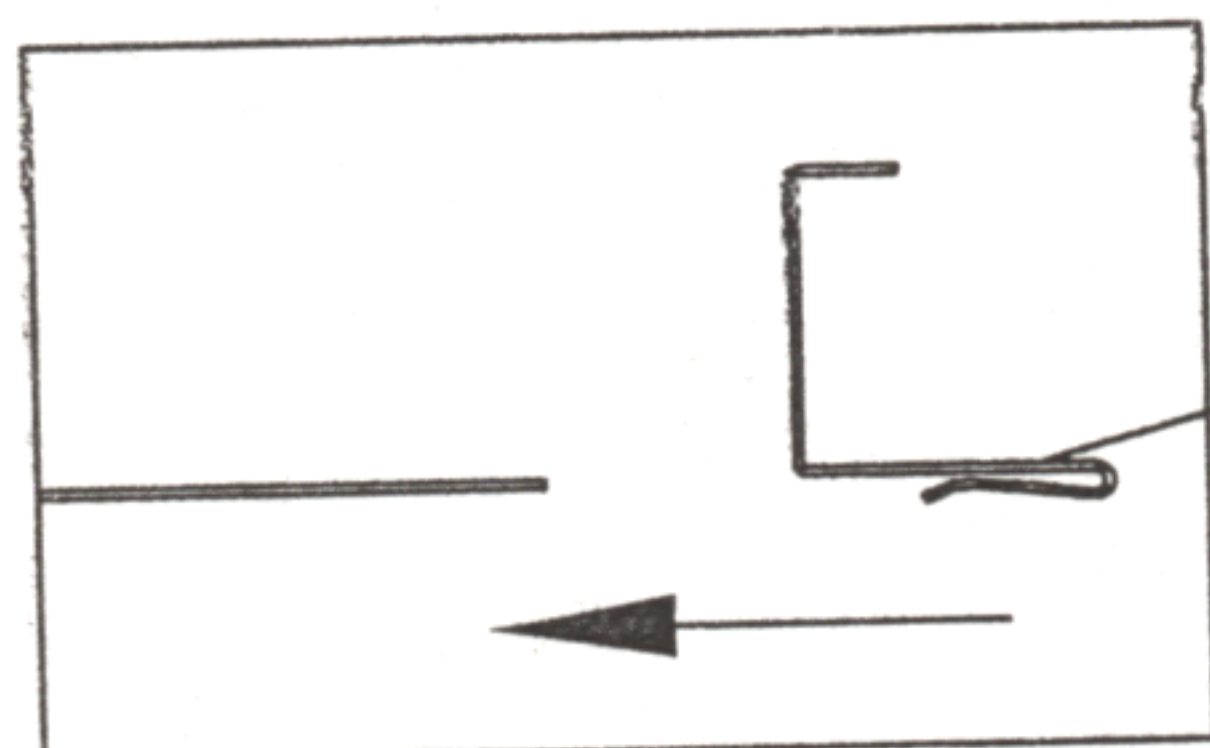
<11>



(Z) or (Z1) or (Z2)



(Z) or (Z1) or (Z2)



(Z) or (Z1) or (Z2)

