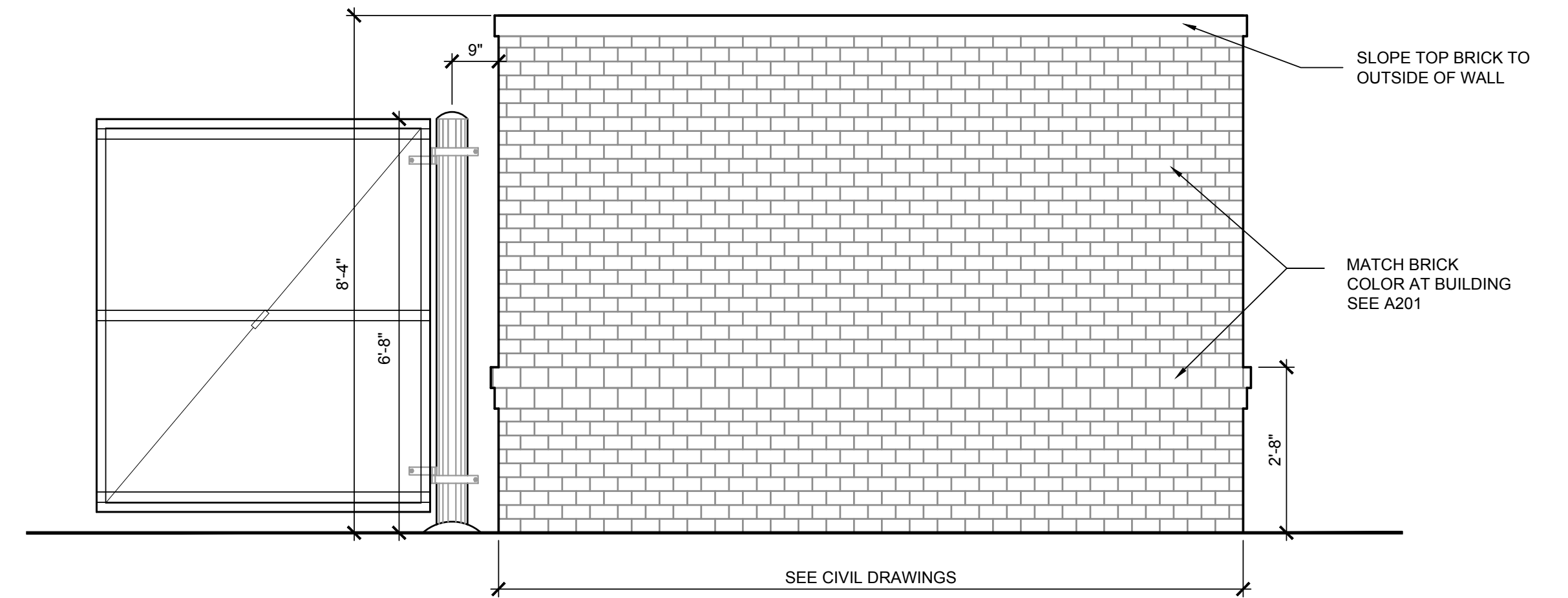
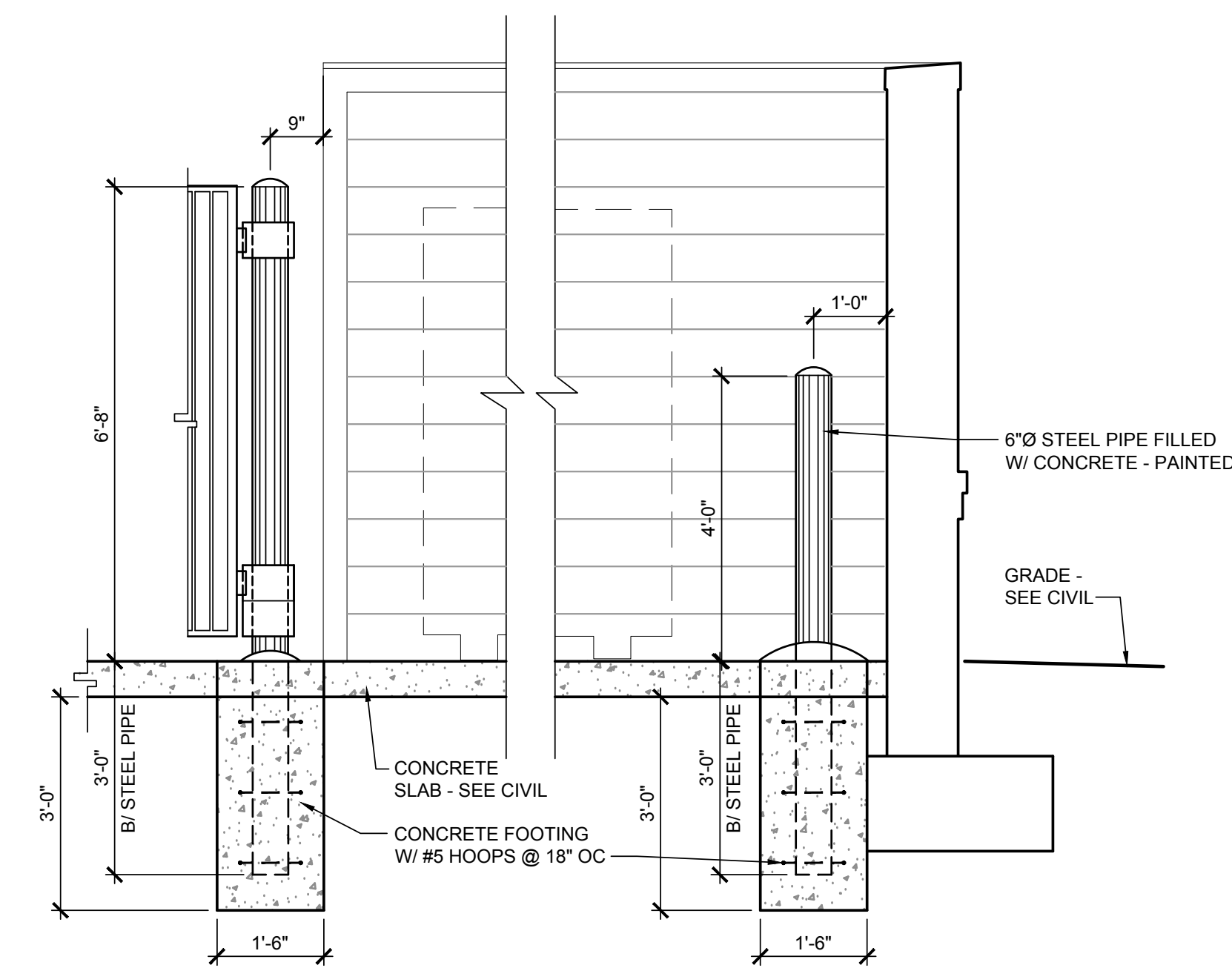


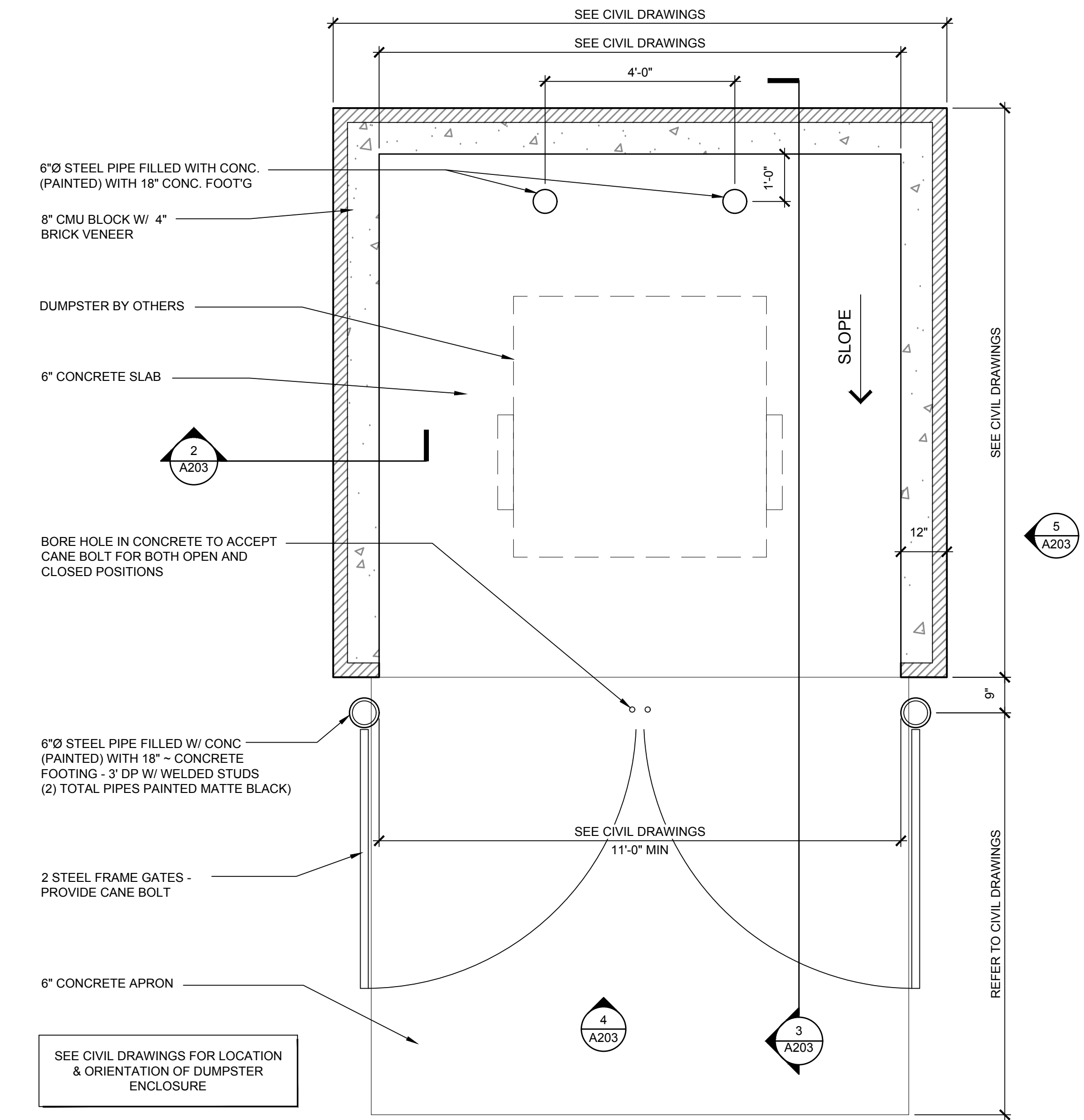
4 TRASH ENCLOSURE FRONT ELEVATION
SCALE: 1/2" = 1'-0"



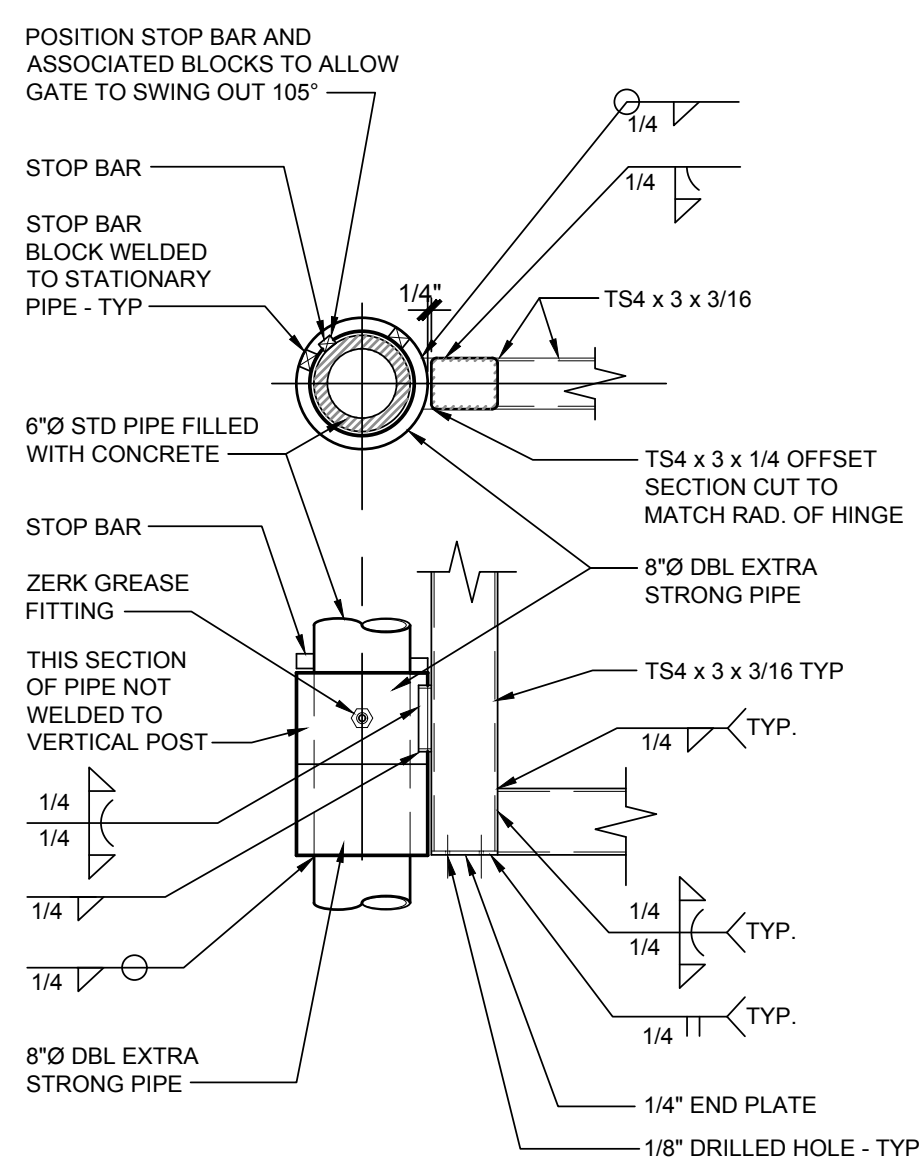
5 TRASH ENCLOSURE SIDE ELEVATION
SCALE: 1/2" = 1'-0"



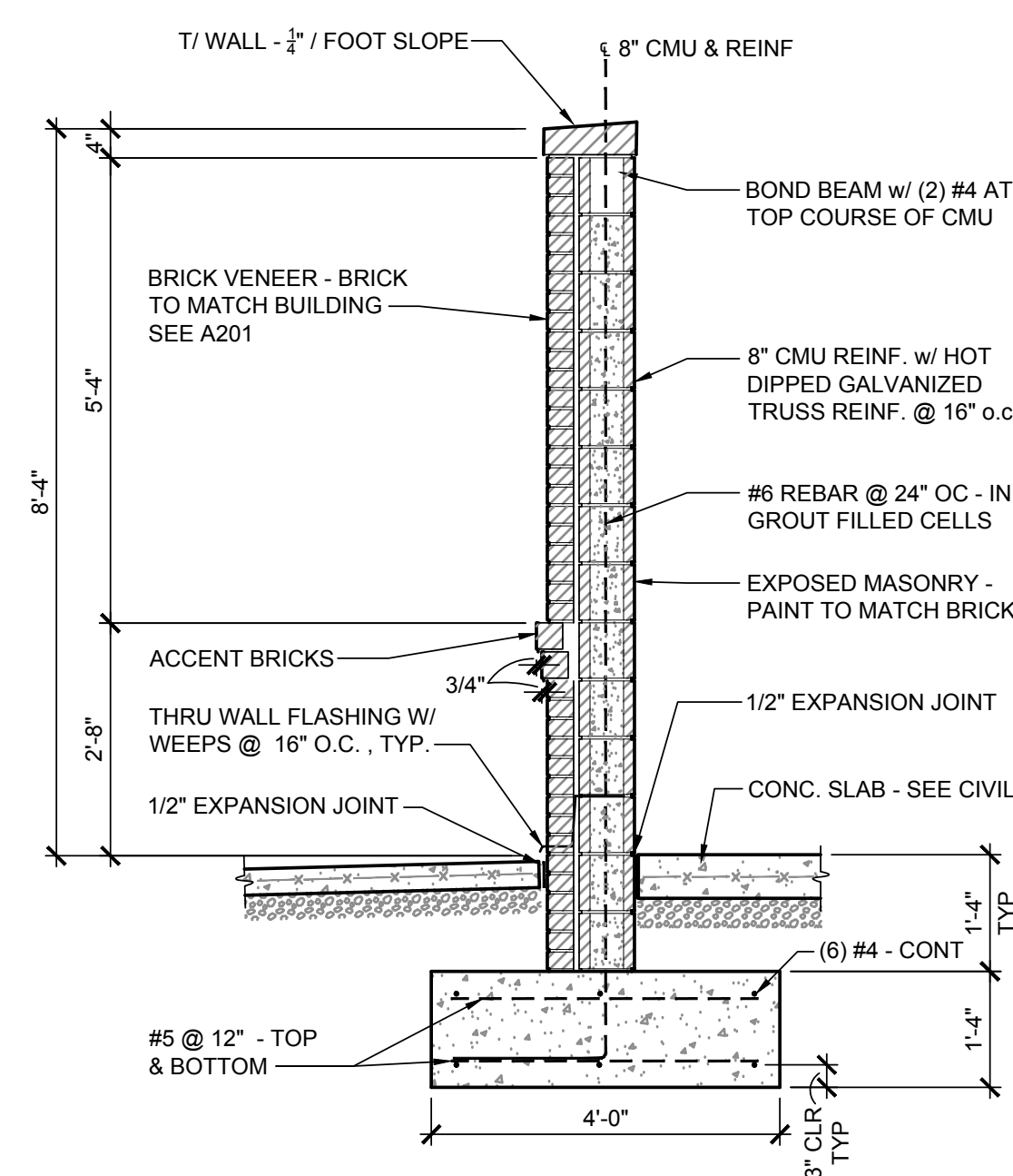
3 TRASH ENCLOSURE SECTION
SCALE: 1/2" = 1'-0"



1 TRASH ENCLOSURE PLAN
SCALE: 1/2" = 1'-0"



6 HINGE DETAIL
SCALE: 1" = 1'-0"



2 TRASH ENCLOSURE WALL SECTION
SCALE: 1/2" = 1'-0"

04.25.18 STATE PERMIT REVIEW
03.02.18 OWNER REVIEW
NO DATE REMARKS

REVISIONS

DENTAL OFFICE

SUNSET DR. & TENNY AVE.
WAUKESHA, WI 53189

PROJECT NO: 2017.0582
DATE: 06.21.2018

A203

TRASH ENCLOSURE
ELEVATIONS & DETAILS

CHECKED: JS DRAWN: MB/KCP

COPYRIGHT © 2018 INTERPLAN LLC. RESERVES COPYRIGHT & OTHER RIGHTS RESPECTING THESE DOCUMENTS TO THE ORIGINAL LIFE OF PURPOSE FOR WHICH THEY WERE PREPARED. REPRODUCTIONS, CHANGES OR ASSIGNMENTS ARE PROHIBITED.