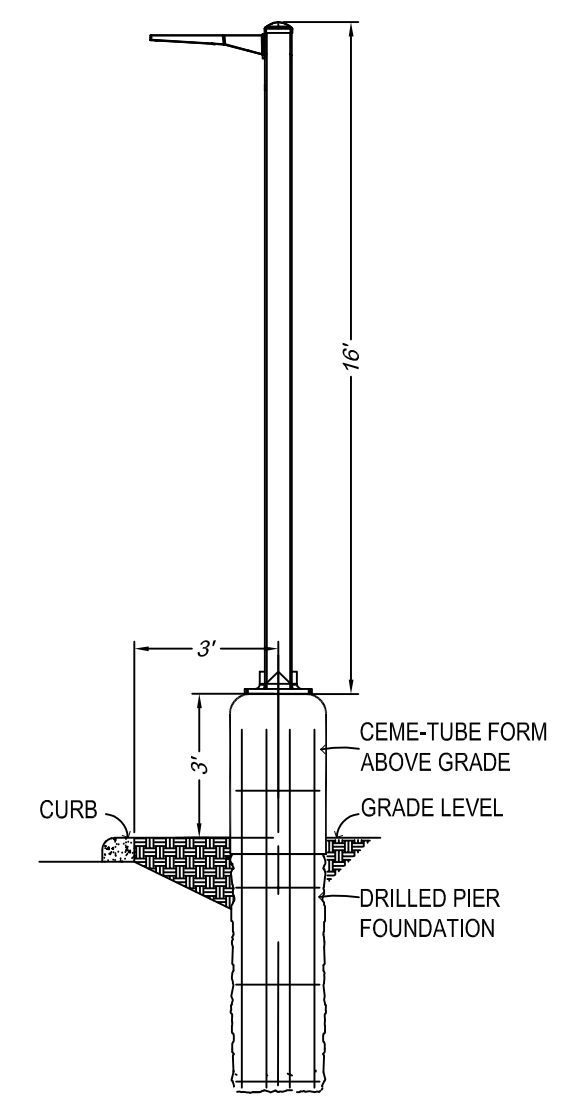


PHOTOMETRIC SITE PLAN
SCALE: 1" = 20'-0"

NOTE:
FOOTCANDLE LEVELS SHOWN ON THIS PLAN ARE CALCULATED AT GRADE LEVEL.

- KEYED NOTES:**
- 1 COORDINATE LOCATION AND MOUNTING HEIGHT OF SECURITY CAMERA WITH OWNER.
 - 2 CONTRACTOR SHALL POLE MOUNT FIXTURE 2'-0" BEHIND THE BACK END OF CURB TO AVOID UNDERGROUND FIBER OPTICS.

- FIXTURE SYMBOLS:**
- A, D, E, F LED LIGHT MOUNTED UNDER FUEL CANOPIES
 - B LED STRIP LIGHT MOUNTED IN GABLE
 - C RECESSED LED DOWNLIGHT
 - G, H, J POLE MOUNTED LED FIXTURE



LOT LIGHT ELEVATION DETAIL
NOT TO SCALE

CALCULATION STATISTICS

OVERALL SITE:
AVERAGE: 3.8
MAXIMUM: 52.9
MINIMUM: 0.0

FIXTURE QUANTITIES

- A - 10
- B - 6
- C - 40
- D - 0
- E - 10
- F - 1
- G - 5
- H - 1

PROVIDE (7) 16' POLES.

FIXTURE TYPES:

- A - LSI LIGHTING: SCV-LED-23L-SCFT-UNV-DIM-50-WHT MOUNTED UNDER GAS CANOPY MOUNT FIXTURES WITH FORWARD THROW OPTIC AIMING AT STORE FRONT. CALCULATIONS ARE MEASURED WITH FIXTURES DIMMED TO 60%.
- B - LED STRIP LIGHT MOUNTED IN GABLE LITHONIA -TZL1N4-196-1000UM-FST-MVOLT
- C - RECESSED LED DOWNLIGHT GOTHAM EVO-3530-8AR-WD-120-TRW
- D - NOT USED.
- E - LSI LIGHTING: SCV-LED-15L-SC-UNV-DIM-50-WHT MOUNTED UNDER GAS CANOPY CALCULATIONS ARE MEASURED WITH FIXTURES DIMMED TO 60%.
- F - LSI LIGHTING: SLIM-LED-9L-SIL-FT-UNV-50-70CR-WHT-IL
- G - LSI LIGHTING: SLIM-LED-9L-SIL-3-UNV-50-70CR-WHT-IL
- H - LSI LIGHTING: SLIM-LED-9L-SIL-FT-UNV-50-70CR-WHT

Kwik TRIP

Kwik STAR

KWIK TRIP, Inc.
P.O. BOX 2107
1626 OAK STREET
LA CROSSE, WI 54602-2107
PH. (608) 781-8988
FAX (608) 781-8960

raSmith 16245 W. Bluemound Road
Brookfield, WI 53005-5938
(262) 781-1000
raSmith.com

PHOTOMETRIC SITE PLAN
CONVENIENCE STORE #1219
LES PAUL PARKWAY
WAUKESHA, WI

#	DATE	DESCRIPTION

DRAWN BY	PLC
SCALE	GRAPHIC
PROJ. NO.	3160011
DATE	04/19/2021
SHEET	E1.0

2021-0195.36
GRAEF
275 West Wisconsin Avenue, Suite 300
Milwaukee, WI 53203
414 / 259 1500
414 / 259 0037 fax