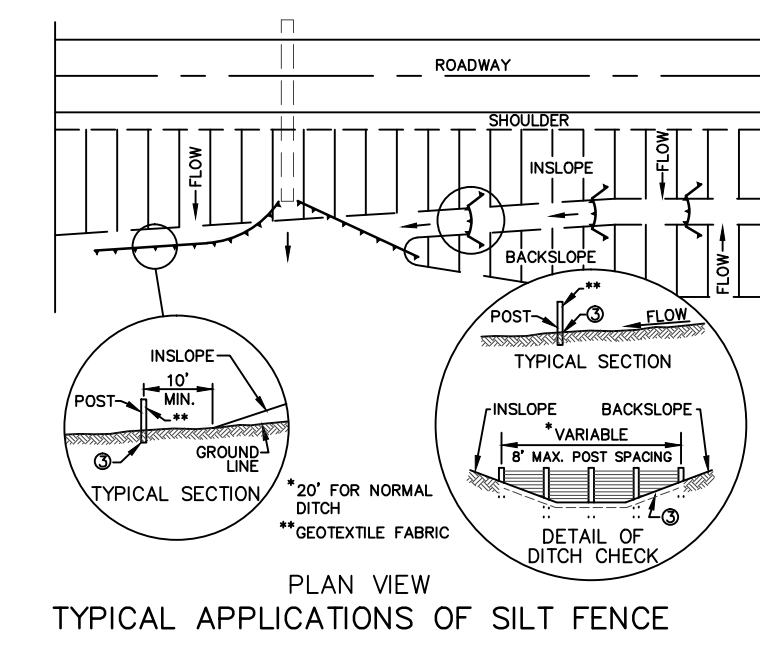
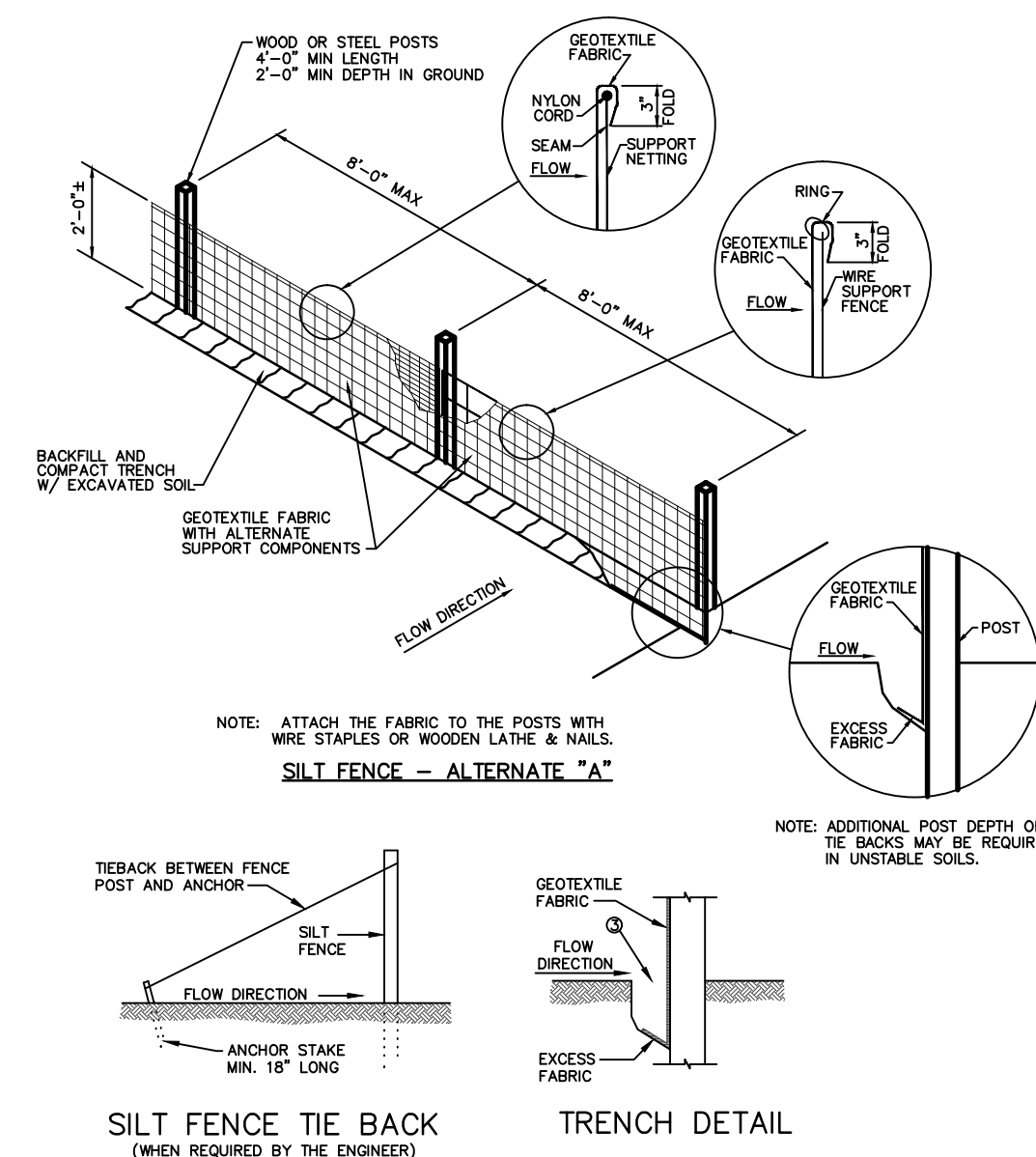
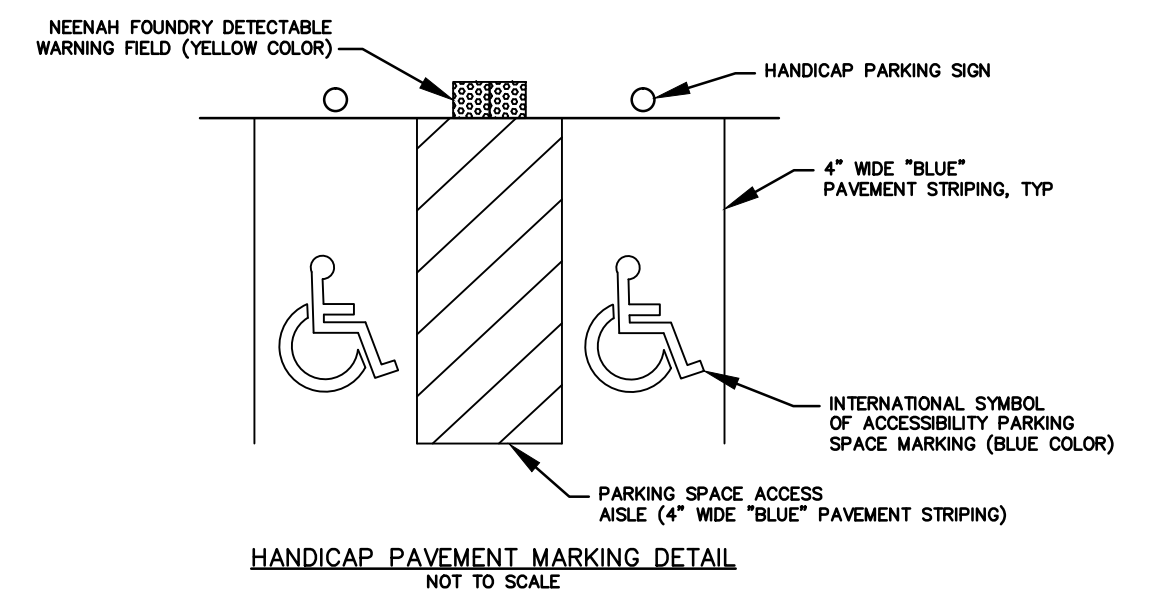
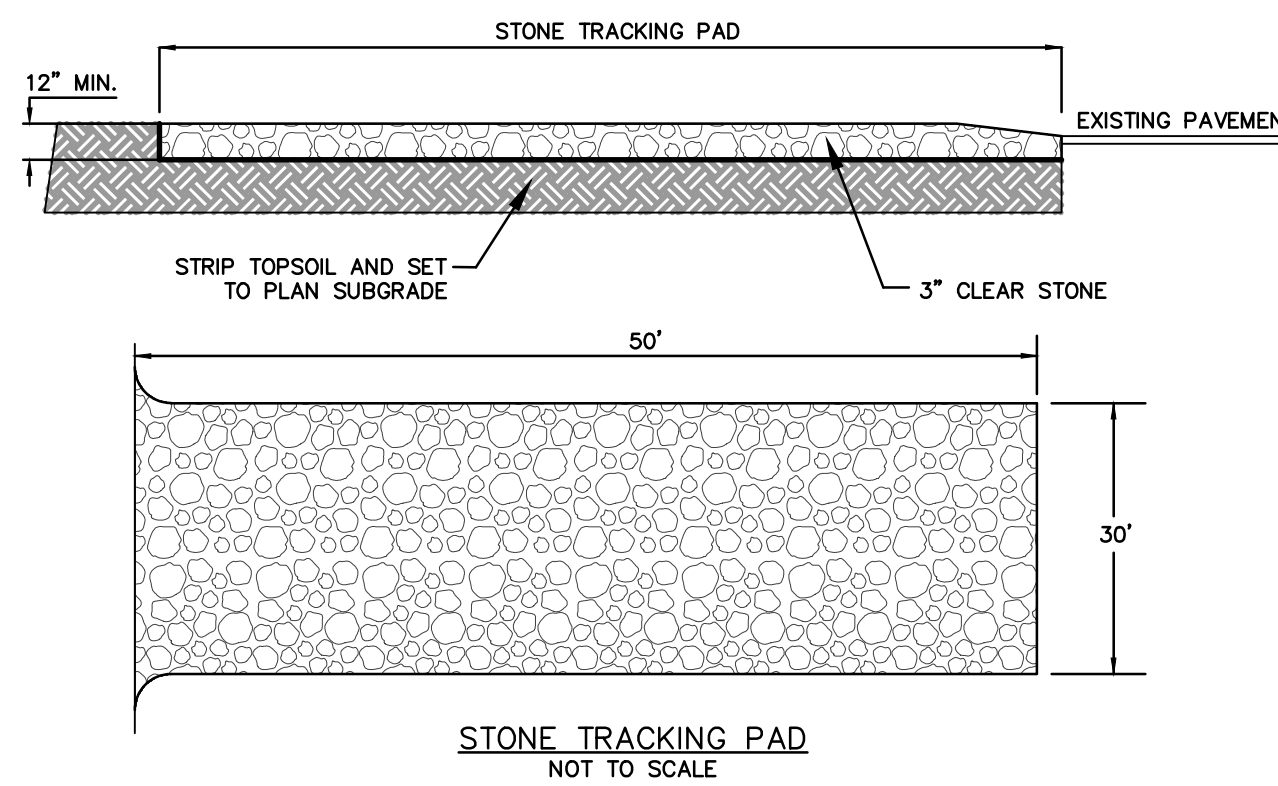


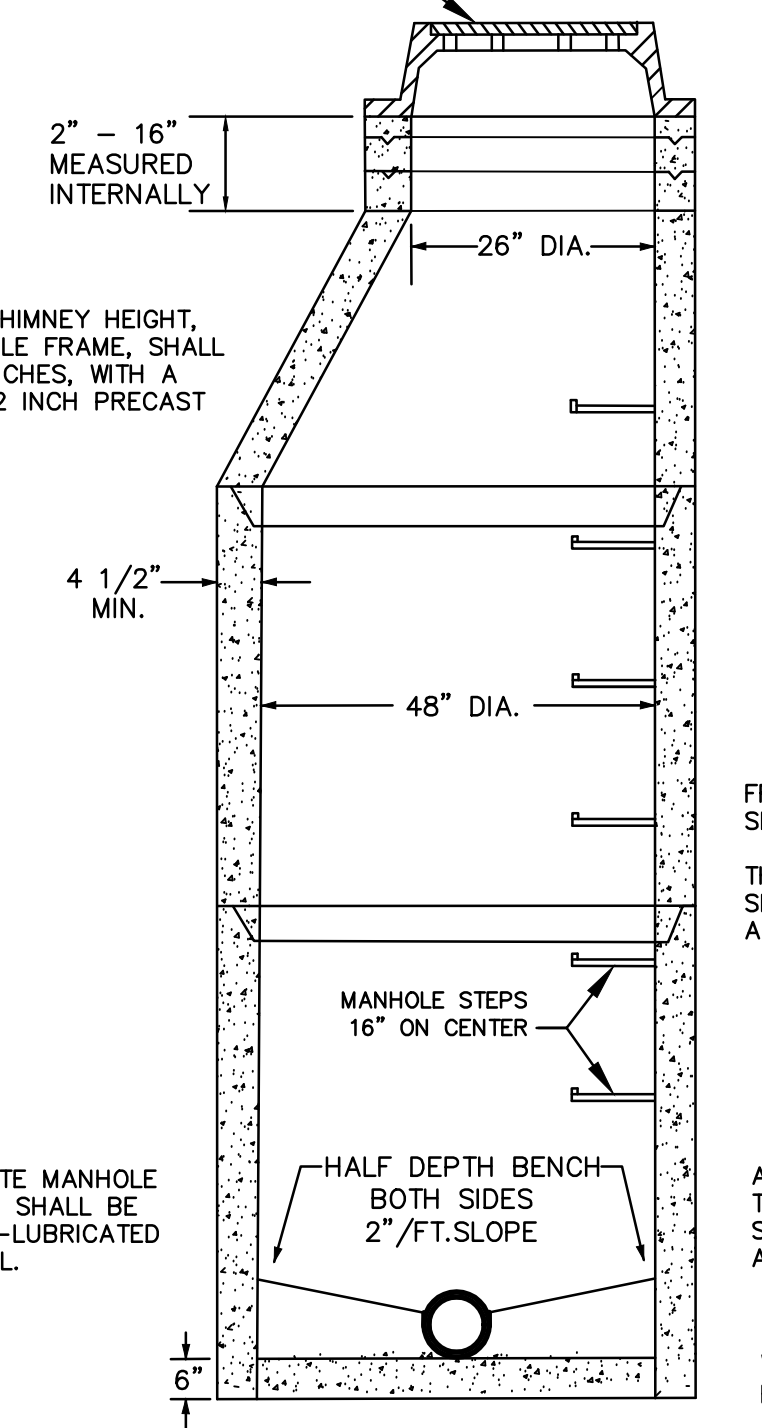
SILT FENCE GENERAL NOTES:
 DETAIL OF CONSTRUCTION NOT SHOWN ON THIS DRAWING SHALL CONFORM TO THE PERTINENT REQUIREMENTS OF THE STANDARD SPECIFICATIONS AND APPLICABLE SPECIAL PROVISIONS.
 WHEN POSSIBLE THE SILT FENCE SHOULD BE CONSTRUCTED IN AN ARC OR HORSESHOE SHAPE, WITH THE ENDS POINTING UPSLOPE TO MAXIMIZE BOTH STRENGTH AND EFFECTIVENESS.
 1. CROSS BRACE WITH 2" x 4" WOODEN FRAME OR EQUIVALENT AT TOP OF POSTS AS DIRECTED BY THE ENGINEER.
 2. MINIMUM 14 GAUGE WIRE REQUIRED, FOLD FABRIC 3" OVER THE WIRE AND STAPLE OR PLACE WIRE RINGS ON 12" C-C.
 3. EXCAVATE A TRENCH A MINIMUM OF 4" WIDE AND 6" DEEP TO BURY AND ANCHOR THE GEOTEXTILE FABRIC. FOLD MATERIAL TO FIT TRENCH AND BACKFILL AND COMPACT TRENCH WITH EXCAVATED SOIL.
 4. WIRE SUPPORT FABRIC SHALL BE 14 GAUGE MINIMUM WOVEN WIRE WITH A MAXIMUM MESH SPACING OF 8". SECURE TOP OF GEOTEXTILE FABRIC TO TOP OF FENCE WITH STAPLES OR WIRE RINGS AT 12" C-C.
 5. GEOTEXTILE FABRIC SHALL BE REINFORCED WITH AN INDUSTRIAL POLY-PROPYLENE NETTING WITH A MAXIMUM MESH SPACING OF 3/4" OR EQUAL. A HEAVY DUTY NYLON TOP SUPPORT CORD OR EQUIVALENT IS REQUIRED.
 6. STEEL POSTS SHALL BE STUDDED "T" OR "U" TYPE WITH A MINIMUM HEIGHT OF 1.28 BAUM, FT. (WITHOUT ANCHOR). PIN ANCHORS SUFFICIENT TO RESIST POST MOVEMENT ARE REQUIRED. WOOD POSTS SHALL BE A MINIMUM SIZE OF 4" DIA. OR 1-1/2" x 3-1/2" EXCEPT WOOD POSTS FOR GEOTEXTILE FABRIC REINFORCED WITH NETTING SHALL BE A MINIMUM SIZE OF 1-1/2" x 1-1/2" OAK OR HICKORY.
 ALTERNATIVES A AND B ARE EQUAL AND EITHER MAY BE USED.



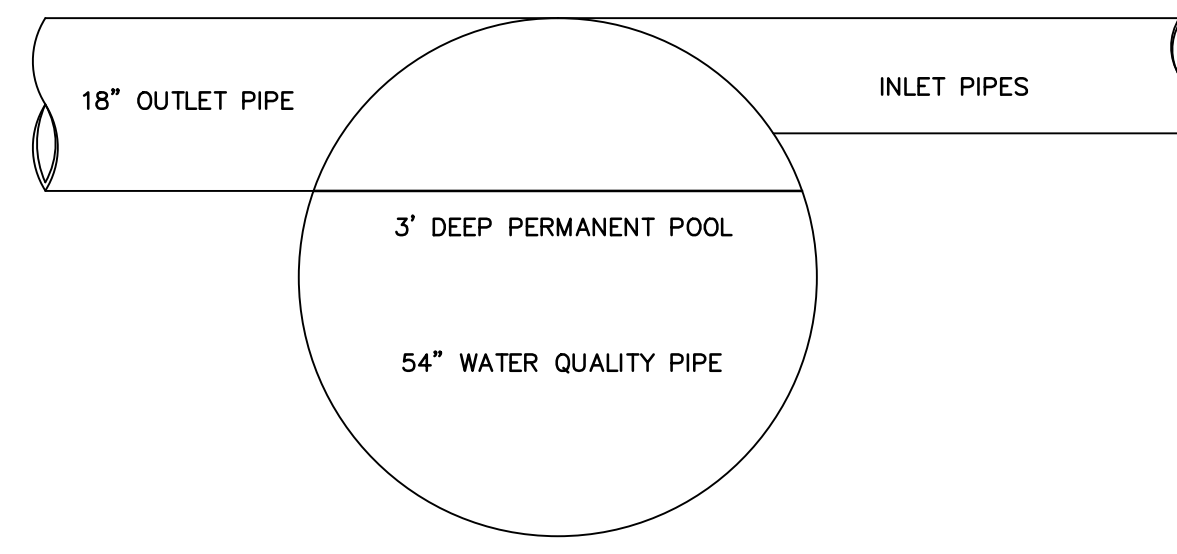
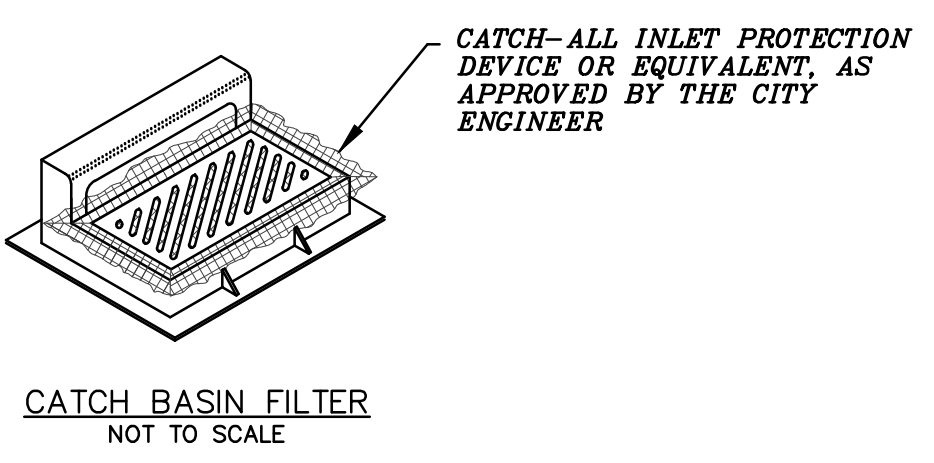
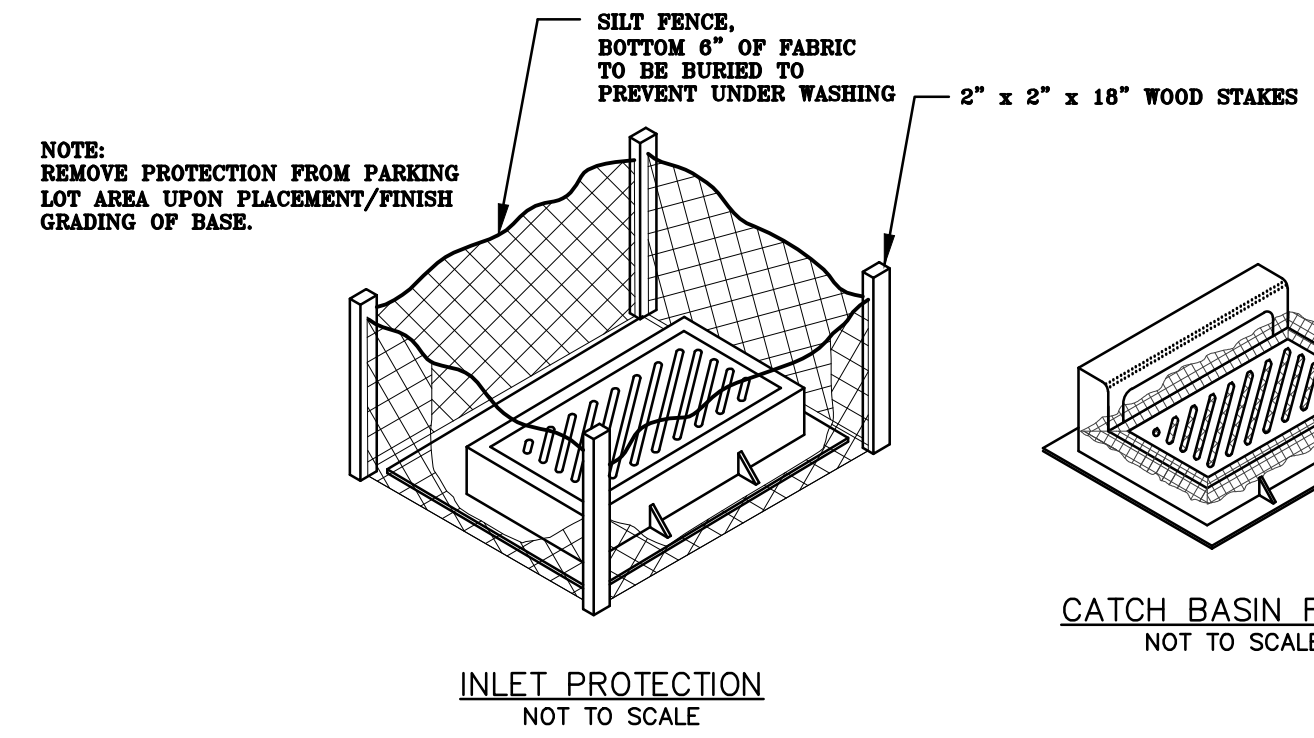
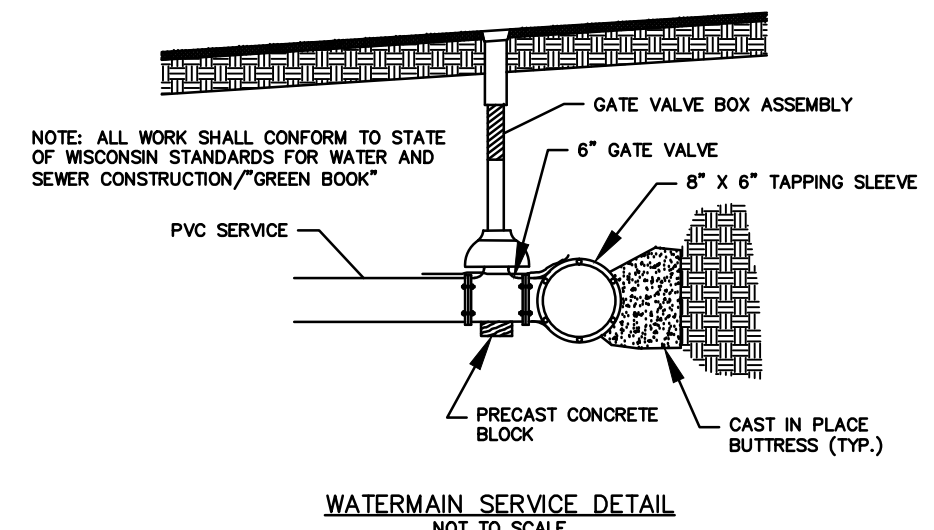
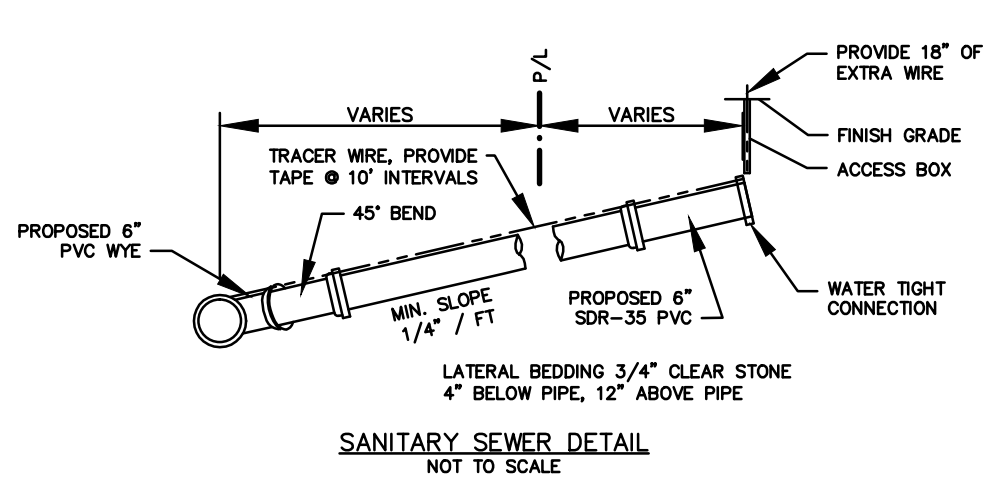
SILT FENCE INSTALLATION DETAIL NOT TO SCALE



MANHOLE FRAMES AND COVERS SHALL BE NEENAH R-1661 WITH TWO (2) PICKHOLES IN THE LID. FRAMES SHALL BE STANDARD DIMENSION. NO SHORTER FRAMES WILL BE ALLOWED.



FRAME AND RINGS SHALL BE SET IN MORTAR.
 THE USE OF WOOD WEDGES OR SHIMS FOR FRAME OR RING ADJUSTMENT IS NOT ALLOWED.
 ALL ANNULAR SPACES BETWEEN THE PIPE AND MANHOLE WALL SHALL BE FILLED WITH BRICK AND MORTAR.
 WHEN NOTED, MANHOLES SHALL HAVE 1' SUMPS.



| REVISION NO. | DESCRIPTION | DATE | BY | DESIGNED BY | DATE |
|--------------|-------------|------|----|-------------|----------|
| | | | | RCM | 03/14/16 |
| | | | | MTS | 03/14/16 |
| | | | | SAO | 03/14/16 |
| | | | | CADFILE | |
| | | | | UREF | |
| | | | | LMAN | |

STANDARD DETAILS
 2720 N GRANDVIEW BLVD
 CFT NV DEVELOPMENTS, LLC
 WAUKESHA, WI

"THE INFORMATION SHOWN ON THIS DRAWING CONCERNING TYPE AND LOCATION OF UNDERGROUND UTILITIES IS NOT GUARANTEED TO BE ACCURATE OR ALL INCLUSIVE. THE CONTRACTOR IS RESPONSIBLE FOR MAKING HIS OWN DETERMINATIONS AS TO THE TYPE AND LOCATION OF UNDERGROUND UTILITIES AS MAY BE NECESSARY TO AVOID DAMAGE THERETO."
 © 2005 Key Engineering Group Ltd.



| | |
|--------------------|--------------|
| KEY PROJECT NUMBER | 2502017 |
| PROJECT SCALE | NOT TO SCALE |
| SHEET NUMBER | C-5 |