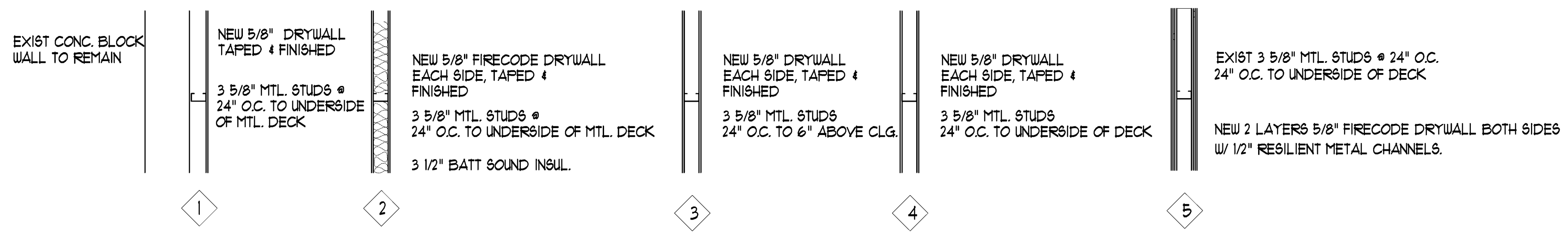


DOOR SCHEDULE								
NO	DOOR SIZE	DOOR MATERIAL	DOOR TYPE	FINISH	FRAME MATERIAL	FR. TYPE	FINISH	HARDWARE
1	EXIST. 3'-0" x 7'-0"	ALUM		PRE-FIN.	ALUM		PRE-FIN.	EXIST. LOCKSET ADA ACCESSIBLE CLOSERS
2	NOT USED							
3	NEW 3'-0" x 7'-0"	WOOD	B	S 4 V	H.M.	I	PAINT	NEW PRIVACY LOCKSET ADA ACCESSIBLE CLOSERS
4	NEW 3'-0" x 7'-0"	WOOD	A	S 4 V	H.M.	I	PAINT	3 HINGES- NEW LEVER HANDLE LOCKSET
5	EXIST. 3'-0" x 7'-0"	ALUM		PRE-FIN.	ALUM		PRE-FIN.	EXIST. LOCKSET ADA ACCESSIBLE CLOSERS
6	NEW 3'-0" x 7'-0"	WOOD	C	S 4 V	H.M.	I	PAINT	NEW PASSAGE LEVER HANDLE LOCKSET 3 HINGES / CLOSER
7	NEW 3'-0" x 7'-0"	WOOD	A	S 4 V	H.M.	I	PAINT	NEW LEVER LATCHSET ADA ACCESSIBLE CLOSERS
8	NEW 3'-0" x 7'-0"	WOOD	A	S 4 V	H.M.	I	PAINT	FUSH/PULL PLATE ADA ACCESSIBLE CLOSERS
9	NEW 3'-0" x 7'-0"	WOOD	A	S 4 V	H.M.	I	PAINT	FUSH/PULL PLATE ADA ACCESSIBLE CLOSERS
10	NEW 3'-0" x 7'-0"	WOOD	A	S 4 V	H.M.	I	PAINT	LEVER HANDLE PRIVACY LOCKSET ADA ACCESSIBLE CLOSERS
11	NEW 3'-0" x 7'-0"	WOOD	A	S 4 V	H.M.	I	PAINT	LEVER HANDLE PRIVACY LOCKSET ADA ACCESSIBLE CLOSERS
12	NEW 3'-0" x 7'-0"	WOOD	A	S 4 V	H.M.	I	PAINT	NEW LEVER LATCHSET ADA ACCESSIBLE CLOSERS
13	NEW 3'-0" x 7'-0"	WOOD	A	S 4 V	H.M.	I	PAINT	NEW LEVER LOCKSET ADA ACCESSIBLE CLOSERS
14	NEW 3'-0" x 7'-0"	WOOD	B	S 4 V	H.M.	I	PAINT	FUSH/PULL PLATE ADA ACCESSIBLE CLOSERS
15	NEW 3'-0" x 7'-0"	WOOD	B	S 4 V	H.M.	I	PAINT	FUSH/PULL PLATE ADA ACCESSIBLE CLOSERS
16	NEW 3'-0" x 7'-0"	WOOD	A	S 4 V	H.M.	I	PAINT	EMERGENCY PANIC HARDWARE ADA ACCESSIBLE CLOSERS
17	NEW 3'-0" x 7'-0"	WOOD	A	S 4 V	H.M.	I	PAINT	FUSH/PULL PLATE ADA ACCESSIBLE CLOSERS
18	EXIST. 3'-0" x 7'-0"	HM			HM		PAINT	EXIST. LOCKSET ADA ACCESSIBLE CLOSERS
19	EXIST. 3'-0" x 7'-0"	HM			HM		PAINT	EXIST. LOCKSET ADA ACCESSIBLE CLOSERS



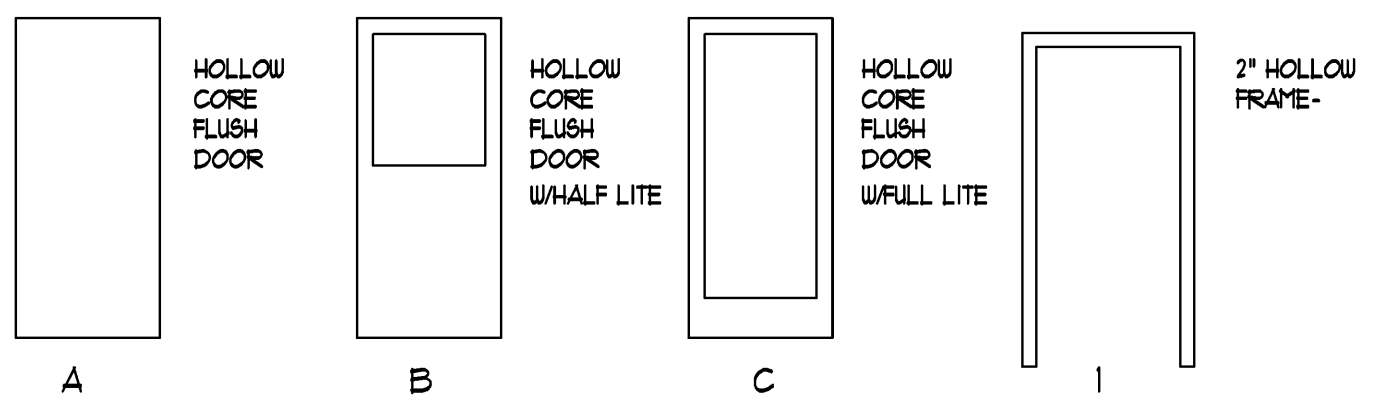
WALL TYPES

GENERAL NOTES:

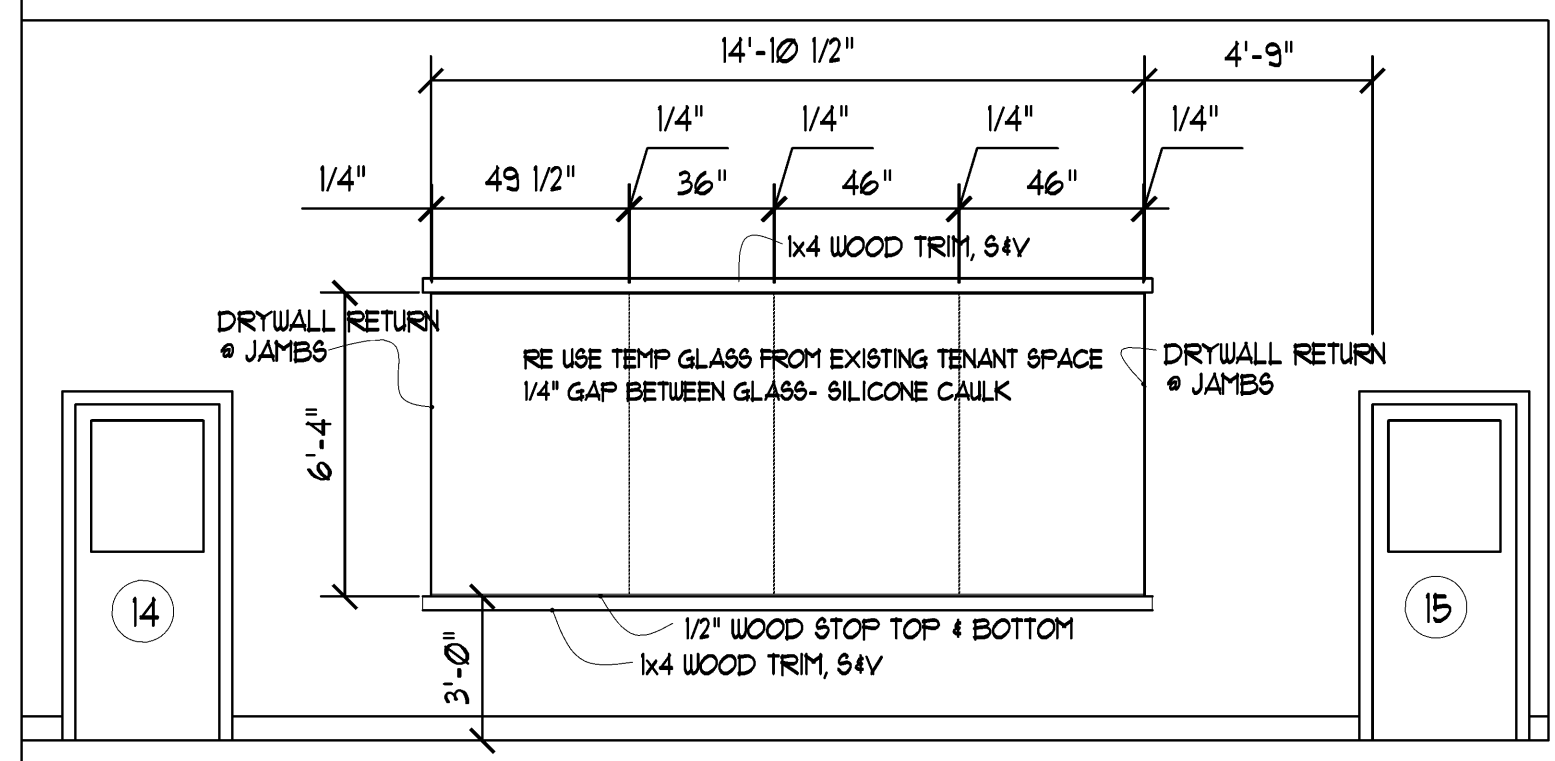
- ALL WORK TO COMPLY WITH ALL LOCAL AND INTERNATIONAL BUILDING CODES. ALL BUILDING PERMITS AND OTHER PERMITS SHALL BE OBTAINED PRIOR TO START OF CONSTRUCTION
- GENERAL CONTRACTOR TO VERIFY ALL MATERIAL, FINISHES AND COLOR WITH TENANT PRIOR TO ORDERING
- NEW INTERIOR WALLS TO BE 3 5/8" MTL. STUDS @ 24" O.C., 5/8" DRYWALL EACH SIDE RUN TO 6" ABOVE CEILING
- NEW DOOR TO BE 36" WIDE X 7'-0" FLUSH WOOD DOOR TO MATCH EXISTING. WOOD JAMB AND CASING TO
- NEW BATHROOM IS PAINTED WITH ENAMEL PAINT ALL 4 WALLS
- EXISTING FLOOR IN WAREHOUSE TO REMAIN- SEALED CONC.
- PAINT ALL WALLS EXCEPT BATHROOM WITH LATEX PAINT- 2 COATS 5/8" W.R. DRYWALL CLG. IN MENS & WOMENS PAINT

TOILET ROOM NOTES

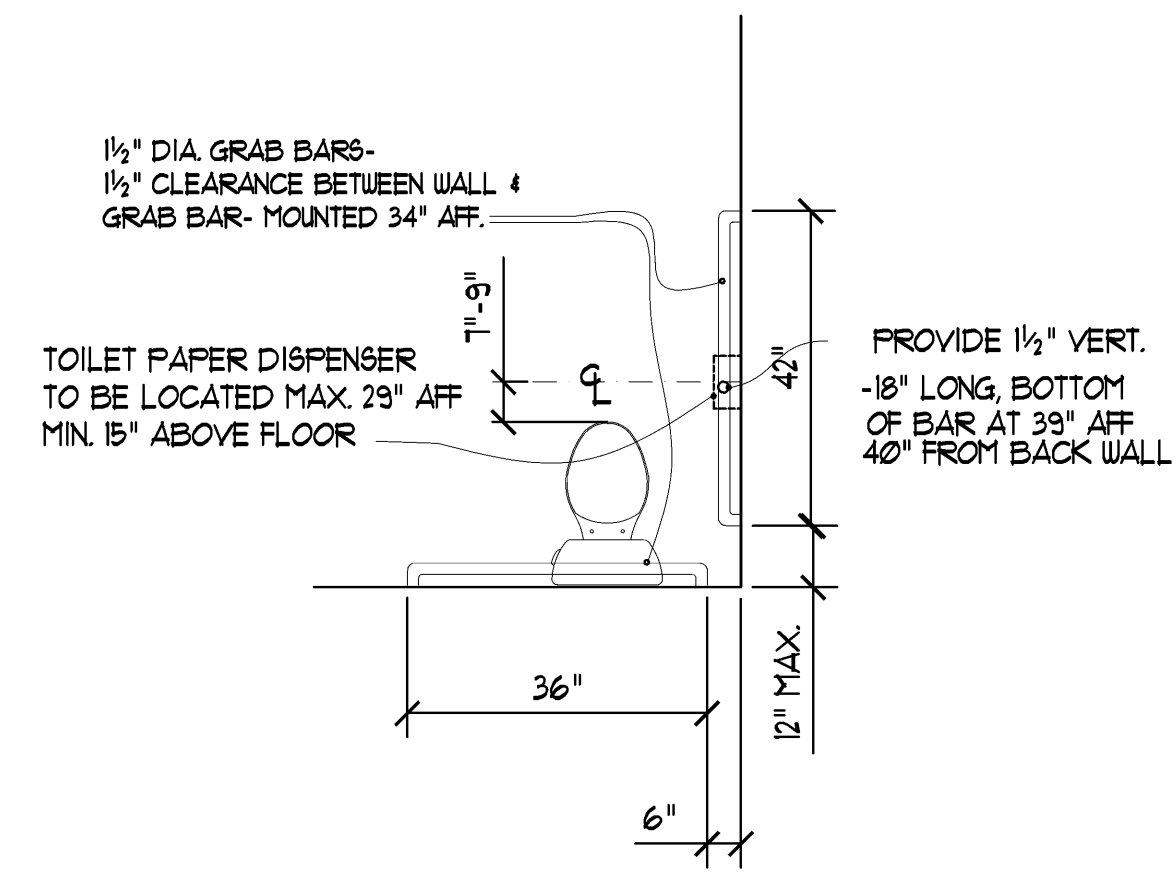
- 24" W. x 36" H. MIRROR MOUNTED ABOVE SINKS. BOTTOM OF MIRROR TO BE 39" AFF MAX.
- WATERCLOSET'S SEAT HEIGHT TO BE 17"-19" FROM FLOOR TO TOP OF SEAT
- NEW SINK IN TOILET RM IS MOUNTED MAX. 34" FROM FLOOR TO RIM OF SINK. MINIMUM 21" KNEE CLEARANCE BELOW SINK.



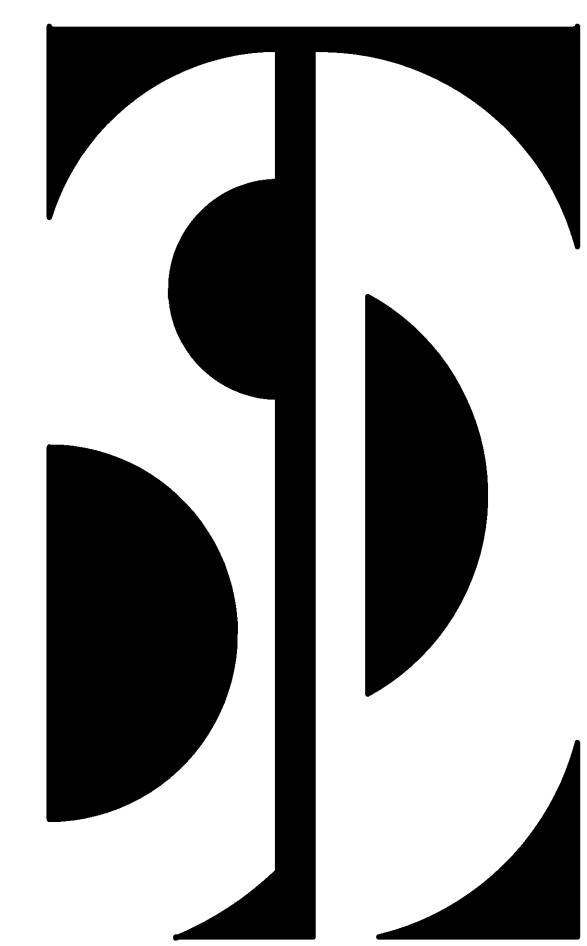
Room Finish Schedule										
No.	Room	Floor	Base	North Wall	East Wall	South Wall	West Wall	Ceiling	Height	Remarks
01										
02	CAFE AREA	DYED/POLISHED CONC.	6\"/>							



1 ELEVATION @ PARENT VIEWING  
A3



NEW ADA ACCESSIBLE GRAB BARS- SEE DIMENSIONS ABOVE



SWEET DESIGNS  
JOAN M. SWEET  
ARCHITECT

1435 STONEFIELD COURT  
WAUKESHA, WISCONSIN  
53186  
(262) 896-0388

PROJECT:

INTERIOR BUILD OUT FOR:  
NORTHSTAR GROUP LLC

2244 W. Bluemound Road

PROJECT LOCATION:  
TENANT D AMERICAN DOJO

DETAILS/SCHEDULES

DATE :  
04/01/15

SHEET NO.

A-3