

This document may be an electronic file or may be printed from an electronic file provided to the user. It is the sole responsibility of the user to ensure that the content and quality is consistent with the content and quality of the original documents on file at BWBR.

I hereby verify that this plan, specification or report was prepared by me or under the direct supervision and that I am duly Licensed/Registered Architect under the laws of the State of Wisconsin.

Name _____
Date Issue Date Lic./Reg. No. _____

Issued For _____

Item _____ Date _____

NOT FOR CONSTRUCTION
FOR REFERENCE ONLY

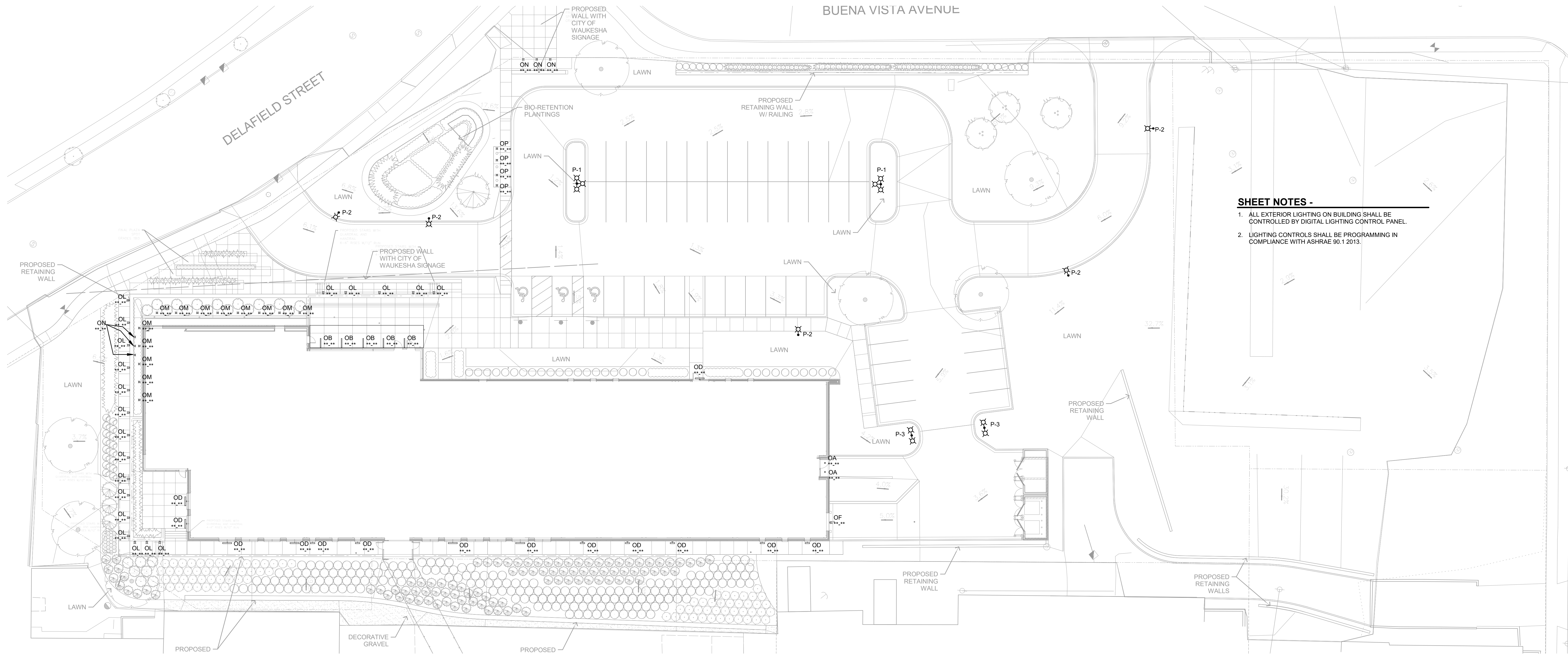
This Sheet may be a Reduced Copy.
The bar above is 1" long on a Full Size Sheet.
Drawing Scales apply to Full Size Sheets.

Comm. No. _____ Drawn _____
3/2017123.00 PCW

Sheet Title
CITY SUBMITTAL

Sheet No. _____

100



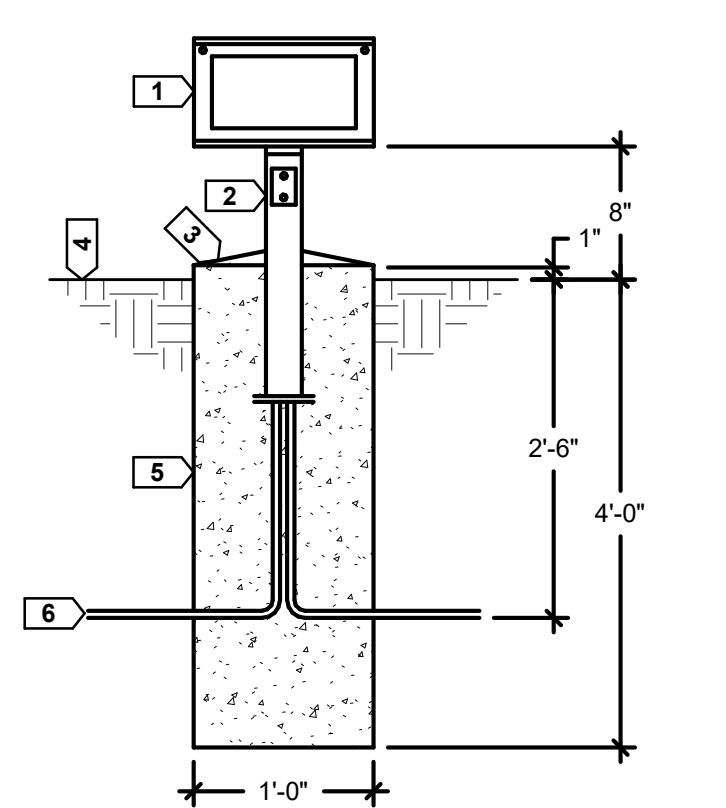
SHEET NOTES -
1. ALL EXTERIOR LIGHTING ON BUILDING SHALL BE CONTROLLED BY DIGITAL LIGHTING CONTROL PANEL.
2. LIGHTING CONTROLS SHALL BE PROGRAMMING IN COMPLIANCE WITH ASHRAE 90.1 2013.

LIGHT FIXTURE SCHEDULE																		
ID	DESCRIPTION	TYPE	NO.	LIGHT SOURCE			BALLASTS/DRIVERS			INPUT WATTS	VOLT	MOUNT	SURFACE TYPE	FIXTURE DEPTH	FIXTURE SPECIFICATION AND ACCEPTABLE MANUFACTURERS		OPTIONS	SEE DETAIL
				DESCRIPTION	WATTS	K	CR/(MIN.)	TYPE	CONTROL						NO.	MANUFACTURER		
OA	4IN APERTURE DOWNLIGHT LENSED, AIR TIGHT, IC RATED 60 DEGREE DISTRIBUTION	LED	-	860 DELIVERED LUMENS	10	3500	80	DR	DM10	1	10	277	R	V	<7"	ALPHABET NJ4	8,41	
OB	2IN WIDE CONTINUOUS LINEAR DAMP LOCATION LISTED FROSTED LENS	LED	-	400 DELIVERED LUMENS PER FT	4	3500	80	DR	DM10	1	4 WATTS PER FT	277	R	DW	<5"	LITECONTROL MOD2L	8,24	
OD	2IN W WALL MOUNTED LIGHT DIRECT DISTRIBUTION	LED	-	500 DELIVERED LUMENS PER FT	6	3000	80	DR	DM10	1	6 WATTS PER FT	277	S	W	-	HUBBELL PURSUIT	9,24,28	
OF	18IN W X 12IN H WALL MOUNTED SCIENCE TYPE 4 DISTRIBUTION	LED	-	4000 DELIVERED LUMENS	54	3500	80	DR	DM10	1	54	277	S	W	-	HUBBELL WDM	9,28	
OL	13IN W X 5IN H STEP LIGHT TYPE 4 DISTRIBUTION CLEAR GLASS SHIELDING	LED	-	475 DELIVERED LUMENS	11	3500	80	DR	SW	1	11	277	R	STN	<6"	BEGA 33055	9,28	
OM	6IN DIAM LANDSCAPE ACCENT LIGHT 40 DEGREE DISTRIBUTION	LED	-	1750 DELIVERED LUMENS	19	3500	80	DR	SW	1	19	277	S	GRD	-	BEGA 77702	9,28	3/100
ON	6IN DIAM APERTURE GROUND FLOOD LIGHT 26 DEGREE DISTRIBUTION	LED	-	1850 DELIVERED LUMENS	19	3500	80	DR	SW	1	19	277	S	GRD	-	BEGA 77701	9,28	3/100
OP	9IN APERTURE GROUND FLOOD LIGHT 50 DEGREE DISTRIBUTION	LED	-	4000 DELIVERED LUMENS	48	3500	80	DR	SW	1	48	277	S	CONC. BASE	-	BEGA 77689	9,28	3/100

NOTE:
SEE SPECIFICATION SECTIONS 26 50 00 FOR ADDITIONAL INFORMATION REGARDING LIGHTING FIXTURE AND INSTALLATION REQUIREMENTS. PROVIDE OPTIONS AND ACCESSORIES REFERENCED BY THE COLUMN TITLED "OPTIONS" MANUFACTURERS AS ACCEPTABLE SHALL MEET ALL REQUIREMENTS AND FEATURES INDICATED. ACCEPTABLE MANUFACTURERS MUST MEET THE PHOTOMETRIC PERFORMANCE OF THE LISTED UNIT.

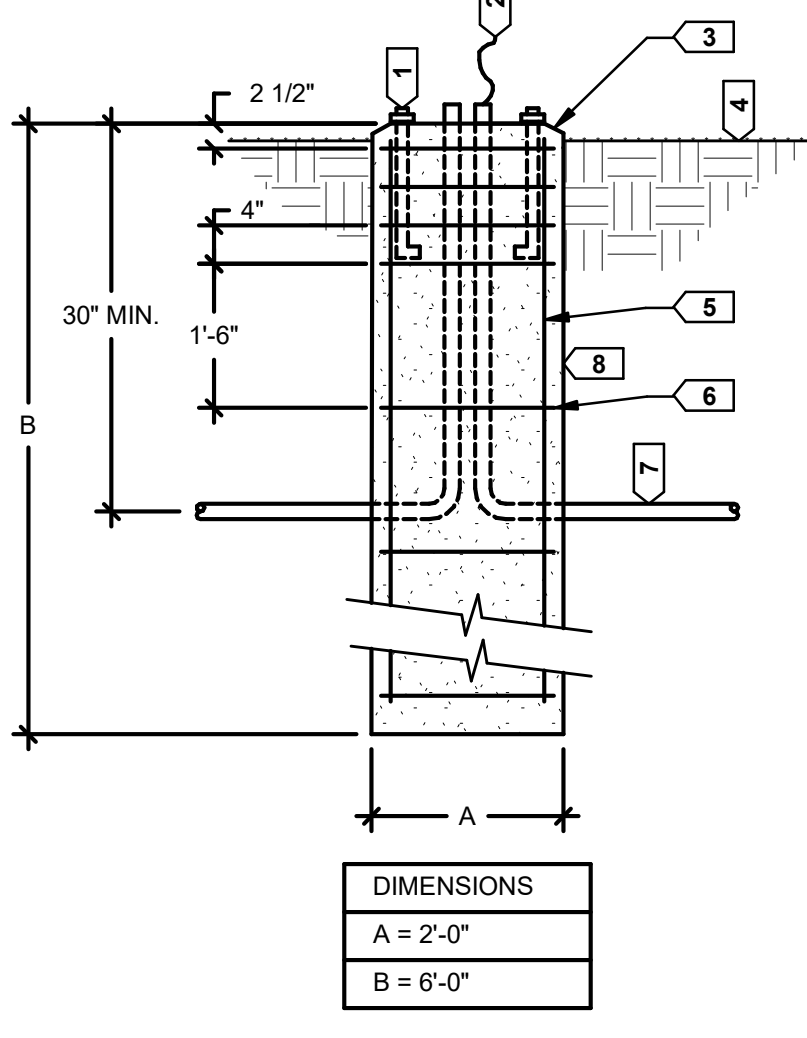
ABBREVIATIONS:	AR = AS REQUIRED	BL = BILEVEL SWITCHING	BT = BLUETOOTH	CAB = UNDERCABINET	CL = CLEAR	DALI = ADDRESSABLE, DIMMING <1-100%	DM1 = LED DIMMING 0-10V, 0-100%	DM11 = LED DIMMING 0-10V, 1-100%	DM5 = LED DIMMING 0-10V, 5-100%	DM10 = LED DIMMING 0-10V, 10-100%	DMW = DIM TO WARM LED	DMX = ADDRESSABLE, DIMMING <1-100%	DR = DRIVER	DW = DRYWALL	ELV = ELECTRONIC LOW VOLTAGE DIMMING	EM = EMERGENCY	ES = EXPOSED STRUCTURE	ET = ELECTRONIC BALLAST	F = FLUORESCENT	FD1 = FLUORESCENT DIMMING 1-100%	FD5 = FLUORESCENT DIMMING 5-100%	FD10 = FLUORESCENT DIMMING 10-100%	GRD = GRADE	H = HD	HAL = HALOGEN	HBF = HIGH BALLAST FACTOR	I = INCANDESCENT	LBF = LOW BALLAST FACTOR	LG = LAY-IN GRID	MLV = MAGNETIC LOW VOLTAGE DIMMING	NBF = NORMAL BALLAST FACTOR	OT = OTHER	PD = PENDANT	PL = PLASTER	PS = PULSE START	R = RECESS	RGB = RED, GREEN, BLUE LEDS	RM = REMOTE	S = SURFACE	SPEC = SPECIAL	ST = STANDARD	STN = STONE	SUSP = SUSPENDED	SW = SWITCHING	T = CERAMIC/GLASS TILE	TW = TUNABLE WHITE LED	V = VARIES	W = WALL MOUNTED	WD = WOOD	XFMR = TRANSFORMER
-----------------------	------------------	------------------------	----------------	--------------------	------------	-------------------------------------	---------------------------------	----------------------------------	---------------------------------	-----------------------------------	-----------------------	------------------------------------	-------------	--------------	--------------------------------------	----------------	------------------------	-------------------------	-----------------	----------------------------------	----------------------------------	------------------------------------	-------------	--------	---------------	---------------------------	------------------	--------------------------	------------------	------------------------------------	-----------------------------	------------	--------------	--------------	------------------	------------	-----------------------------	-------------	-------------	----------------	---------------	-------------	------------------	----------------	------------------------	------------------------	------------	------------------	-----------	--------------------

OPTIONS:	1 = POST PAINTED FINISH	2 = REGRESSED ALUMINUM DOOR FRAME	3 = FLAT STEEL DOOR FRAME	4 = FLAT ALUMINUM DOOR FRAME - MITERED CORNERS	5 = STAINLESS STEEL TRIM AND DOOR FRAME	6 = FURNISH WITH SPRING LOADED LATCHES	7 = FURNISH WITH HINGED DOOR	8 = DAMP LOCATION CONSTRUCTION	9 = WET LOCATION CONSTRUCTION	10 = IP65 RATING	11 = IP68 RATING	12 = IP67 RATING	13 = NEMA 4X RATED	14 = IC RATING	15 = ADA COMPLIANT	16 = DOUBLE GASKETED-LENS TO TRIM TO CEILING	17 = TRIPLE GASKETED-LENS TO DOOR TO HOUSING TO CEILING	18 = FURNISH WITH TAMPER RESISTANT HARDWARE	19 = AIR TIGHT	20 = SPARE	21 = FURNISH WITH AIR HANDLING CAPABILITY	22 = FURNISH WITH WIRE GUARD	23 = FURNISH WITH ENDCAPS	24 = FURNISH IN LENGTH AS SHOWN	25 = FURNISH WITH SOLID FRONT	26 = FURNISH WITH PERFORATED DIFFUSER	27 = CUSTOM FINISH - SELECTION TBD	28 = STANDARD FINISH - SELECTION TBD	29 = FURNISH WITH HOUSE SIDE SHIELD	30 = SPARE	31 = SPARE	32 = SPARE	33 = FURNISH WITH CHAIN MOUNTING	34 = FURNISH WITH RIGID STEM MOUNTING	35 = FURNISH WITH INTEGRAL CABLE MOUNTING	36 = FURNISH WITH ADJUSTABLE AIRCRAFT CABLE MOUNTING	37 = FURNISH WITH ADJUSTABLE MOUNTING HARDWARE	38 = FURNISH WITH MANUFACTURER'S CUSTOM JUNCTION BOX	39 = FURNISH WITH RECESSED SLOPE ADAPTER	40 = SPARE	41 = MATTE DIFFUSE LOW IRIDESCENT REFL.	42 = FURNISH WITH SYMMETRICAL REFLECTOR	43 = FURNISH WITH ASYMMETRICAL REFLECTOR	44 = FURNISH WITH TOP AND BOTTOM LENS	45 = FURNISH WITH LOUVER	46 = FURNISH WITH PERFORATED DIFFUSER	47 = FURNISH WITH EGGRATE LOUVER	48 = FURNISH WITH SOFTENING LENS	49 = FURNISH WITH PRISMATIC LENS	50 = SPARE	51 = FURNISH WITH SPREAD LENS	52 = SPARE	53 = SPARE	54 = FURNISH WITH ROCKER SWITCH	55 = FURNISH WITH SWIVEL CANOPY	56 = FURNISH WITH INTEGRAL DAYLIGHT SENSOR	57 = FURNISH WITH INTEGRAL PHOTOCELL	58 = FURNISH WITH REMOTE DRIVER	59 = FURNISH WITH CURRENT LIMITING DEVICE	60 = SPARE	61 = FURNISH WITH UNIVERSAL ARROWS AND RED OR GREEN STENCIL FACE	62 = FURNISH WITH FIELD ADJUSTABLE CHEVRONS	63 = FURNISH WITH MIRRORRED BACKGROUND	64 = FURNISH WITH INTEGRAL BATTERY	65 = FURNISH WITH INTEGRAL HIGH CAPACITY BATTERY (FOR REMOTE HEADS)	66 = FURNISH WITH SELF DIAGNOSTICS	67 = FURNISH WITH AUXILIARY EMERGENCY BATTERY BALLAST/DRIVER	68 = SPARE	69 = SPARE	70 = SPARE	71 = FURNISH WITH ANTI-MICROBIAL FINISH	72 = CERTIFIED FOR MIL-STD-883C	73 = FURNISH WITH RF NOISE SUPPRESSORS (ADVANCE RIF-1) FOR EACH DRIVER	74 = FURNISH WITH ACRYLIC LENS WITH INTEGRAL RFI SHIELDING	75 = FURNISH WITH LOW VOLTAGE CONTROL (LVC)	76 = SPARE	77 = SPARE	78 = SPARE	79 = SPARE	80 = SPARE
-----------------	-------------------------	-----------------------------------	---------------------------	--	---	--	------------------------------	--------------------------------	-------------------------------	------------------	------------------	------------------	--------------------	----------------	--------------------	--	---	---	----------------	------------	---	------------------------------	---------------------------	---------------------------------	-------------------------------	---------------------------------------	------------------------------------	--------------------------------------	-------------------------------------	------------	------------	------------	----------------------------------	---------------------------------------	---	--	--	--	--	------------	---	---	--	---------------------------------------	--------------------------	---------------------------------------	----------------------------------	----------------------------------	----------------------------------	------------	-------------------------------	------------	------------	---------------------------------	---------------------------------	--	--------------------------------------	---------------------------------	---	------------	--	---	--	------------------------------------	---	------------------------------------	--	------------	------------	------------	---	---------------------------------	--	--	---	------------	------------	------------	------------	------------



KEYED NOTES - 3
1. FIXTURE TYPE
2. STANCHION MOUNTING BASE PROVIDED WITH FIXTURE.
3. CHAMFER CONCRETE ON TOP OF BASE.
4. GRADE
5. POURED CONCRETE IN ROUND FORM.
6. CONDUIT PER SPECIFICATIONS OR SITE PLAN.

3 GROUND FLOODLIGHT DETAIL CITY
100 NOT TO SCALE



KEYED NOTES - 2
1. ANCHOR BOLTS PER POLE MANUFACTURER
2. #10 GROUND PER CONDUIT - ATTACH TO GROUND LUG ON POLE
3. 1" CHAMFER
4. GRADE
5. (4) #5 VERTICAL BARS
6. #3 TIES
7. NON-METALLIC CONDUIT 1" MINIMUM
8. PROVIDE AIR ENTRAINED CONCRETE WITH AT LEAST A 4000 PSI RATING AND 3/4" AGGREGATE.

2 POLE BASE DETAIL - FLUSH CITY
100 NOT TO SCALE