

THIS DRAWING has been prepared by the Architect, or prepared under his direct supervision as an instrument of service and is intended for use only on this project. All Drawings, Specifications, ideas and designs, including the overall layout, form, arrangement, and composition of spaces and elements portrayed, constitute the original, unpublished work of the Architect. Any reproduction, use, or disclosure of the information contained herein without the written consent of the Architect is strictly prohibited.

© 2014, H.C.K. ARCHITECT

THE ARCHITECT DISCLAIMS responsibility for the existing building structure, site conditions, existing construction elements, or any documents, drawings or other instruments used for any part of this Project which do not bear the Architect's seal. The Architect's services are undertaken only in the interest of the Project Owner. No obligation is assumed by the Architect for the needs of any other entity.

RELATED DOCUMENTS: This drawing is a single component of an integrated set of Construction Documents. General and Supplementary Conditions of the Contract, General Requirements, Specifications and other drawings may affect the Work described. Failure to review and integrate the scope stated in the notes of the Construction Documents does not relieve the Contractor from providing a complete Project.

VERIFY ALL CONDITIONS and dimensions prior to construction. Commencement of work constitutes verification and acceptance of all existing conditions. Application of a material or equipment item to Work not shown in other construction documents shall be the responsibility of the contractor for satisfactory installation.

MARKINGS SHOWN on each face of a material unless otherwise indicated. EXCEPT AS NOTED, dimension - 10 NOT SHOWN always unless otherwise directed.

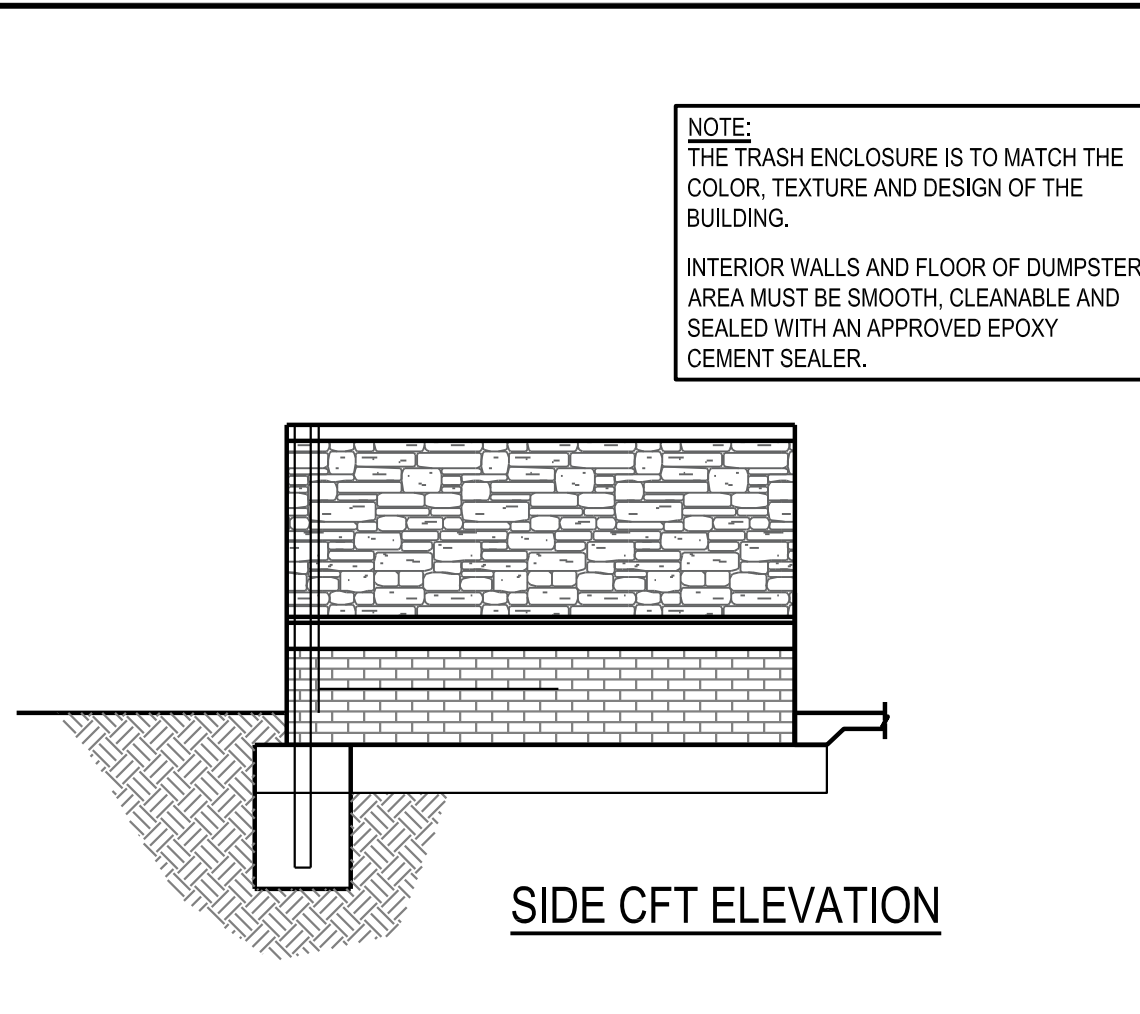
CFT & PANDA
WAUKESHA
 2720 N GRANDVIEW BLVD
 WAUKESHA, WI 53188

project number
 14045.004
 drawing issuance
 PLANNING REVIEW 06.26.17
 drawing revisions
 No. Description Date:

professionalseal

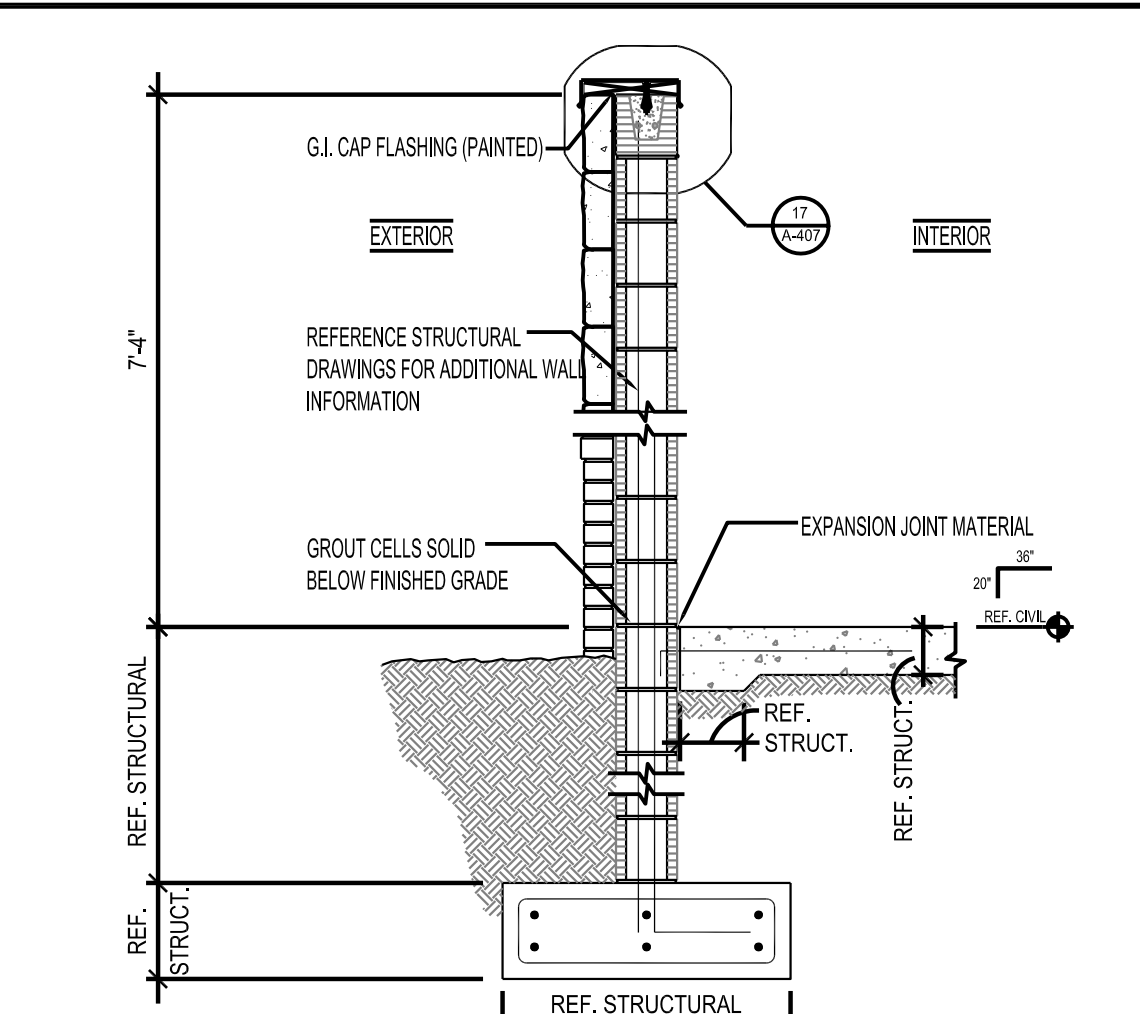
drawing title
 TRASH ENCLOSURE
 DETAILS

drawing number
A407



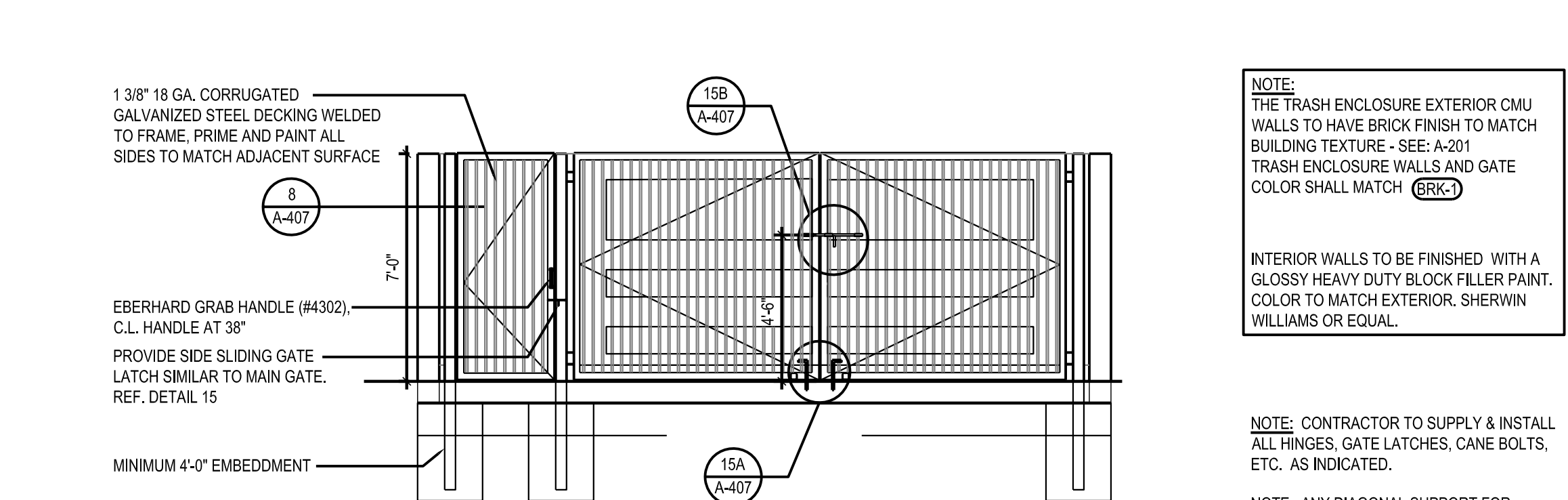
SIDE CFT ELEVATION

Scale= 1/4" = 1'-0" **A-407**



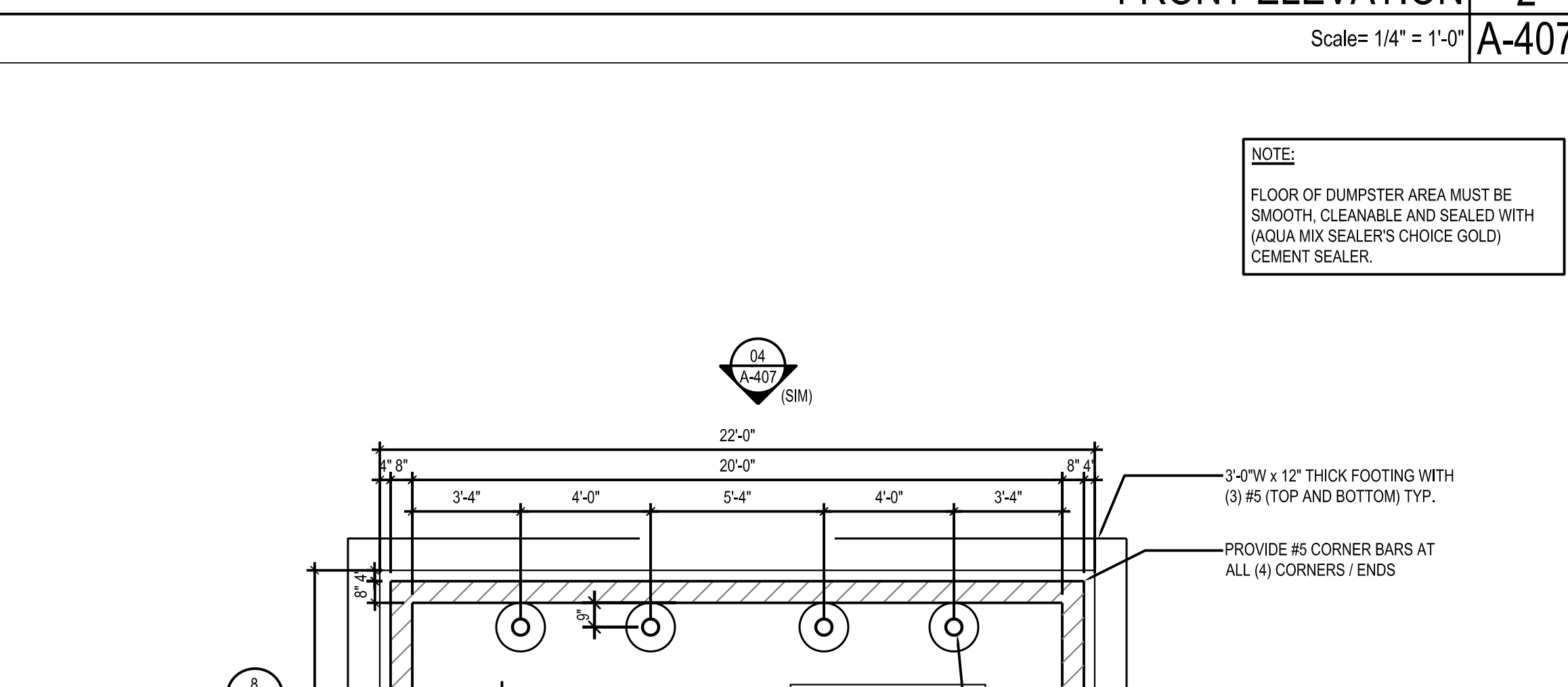
TRASH ENCLOSURE WALL SECTION

Scale= 1/2" = 1'-0" **A-407**



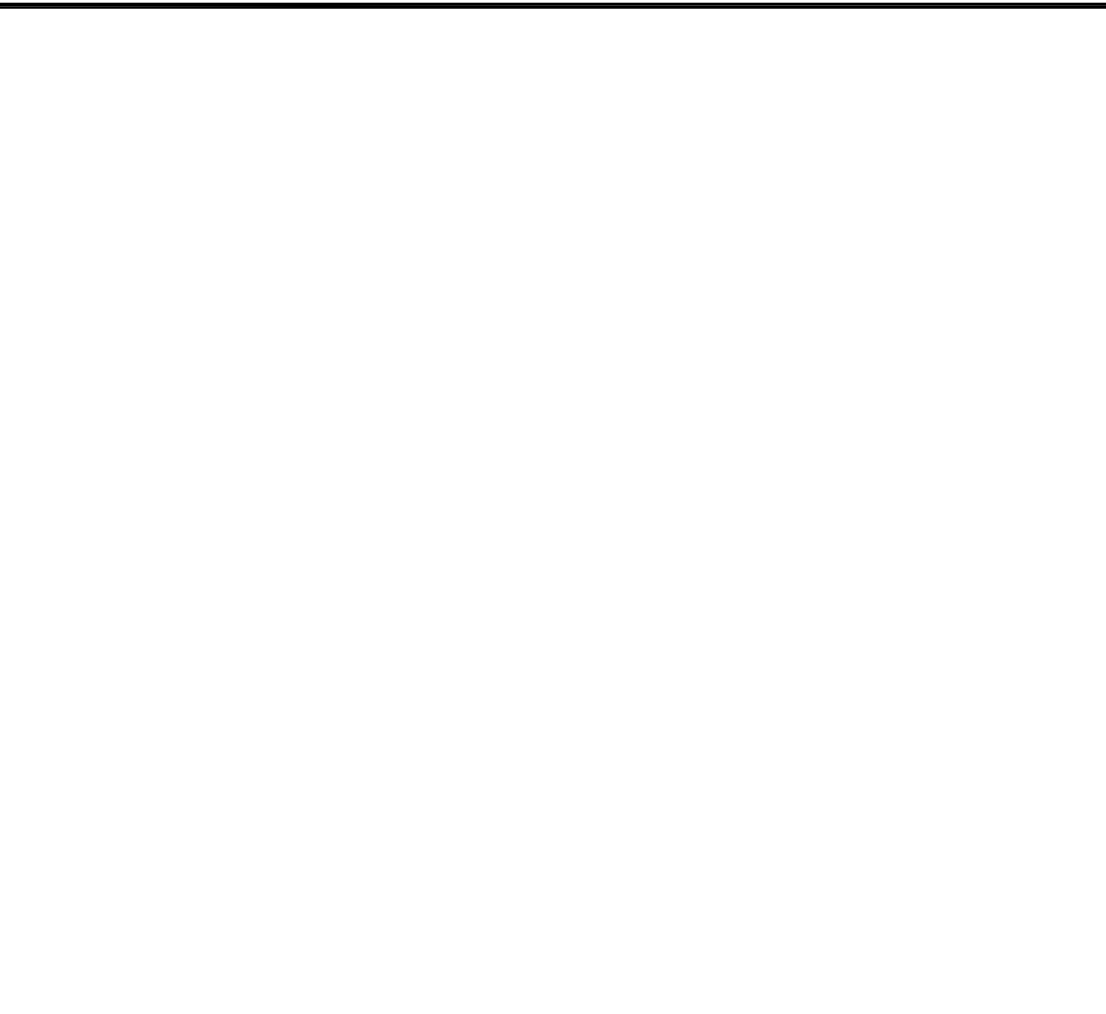
FRONT ELEVATION

Scale= 1/4" = 1'-0" **A-407**



FRONT ELEVATION

Scale= 1/4" = 1'-0" **A-407**



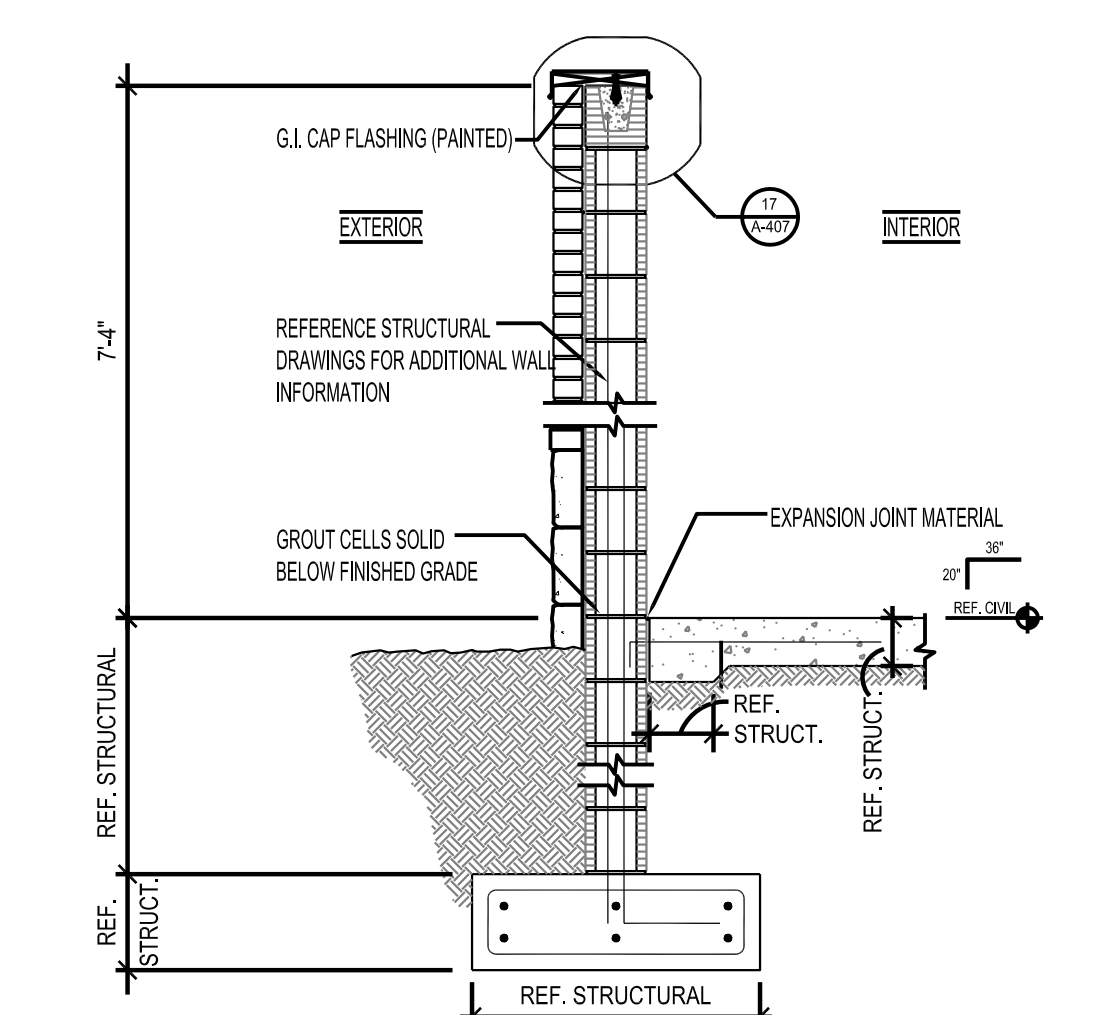
TRASH ENCLOSURE WALL SECTION

Scale= 1/2" = 1'-0" **A-407**



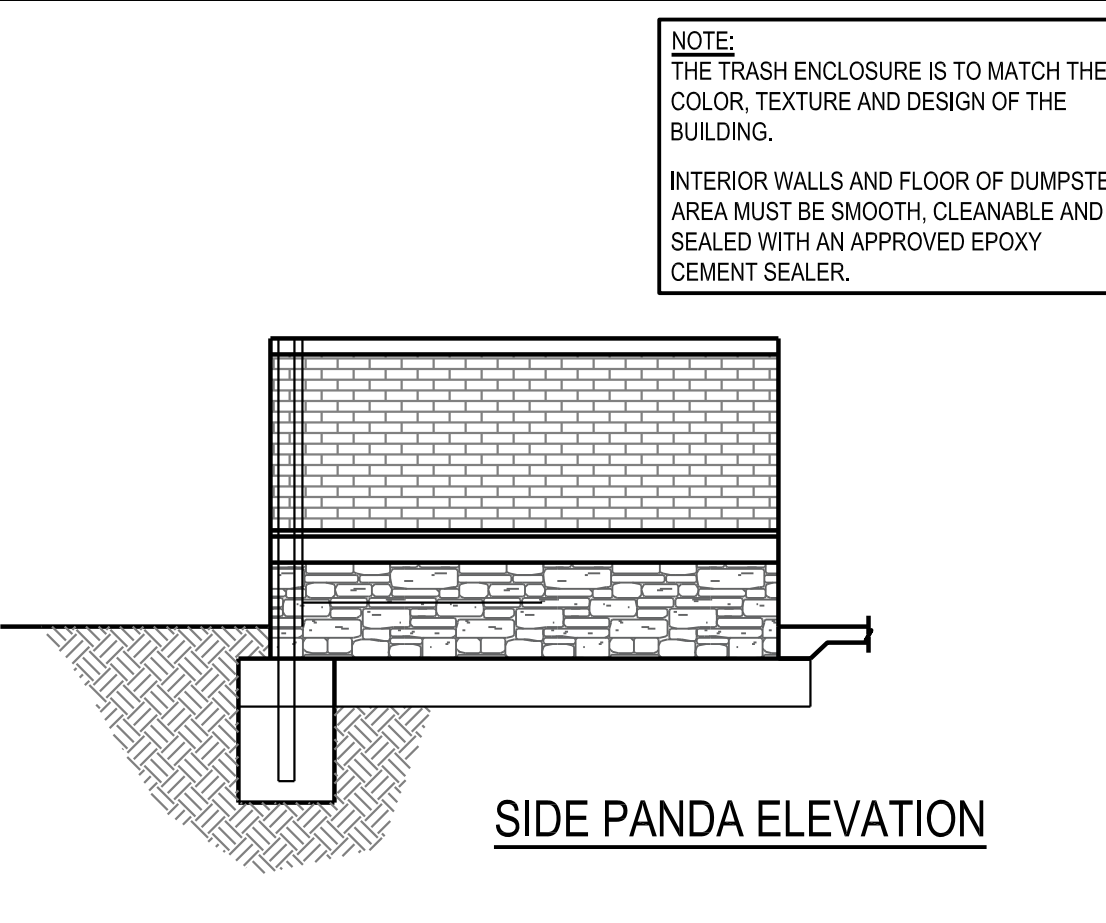
SIDE PANDA ELEVATION

Scale= 1/4" = 1'-0" **A-407**



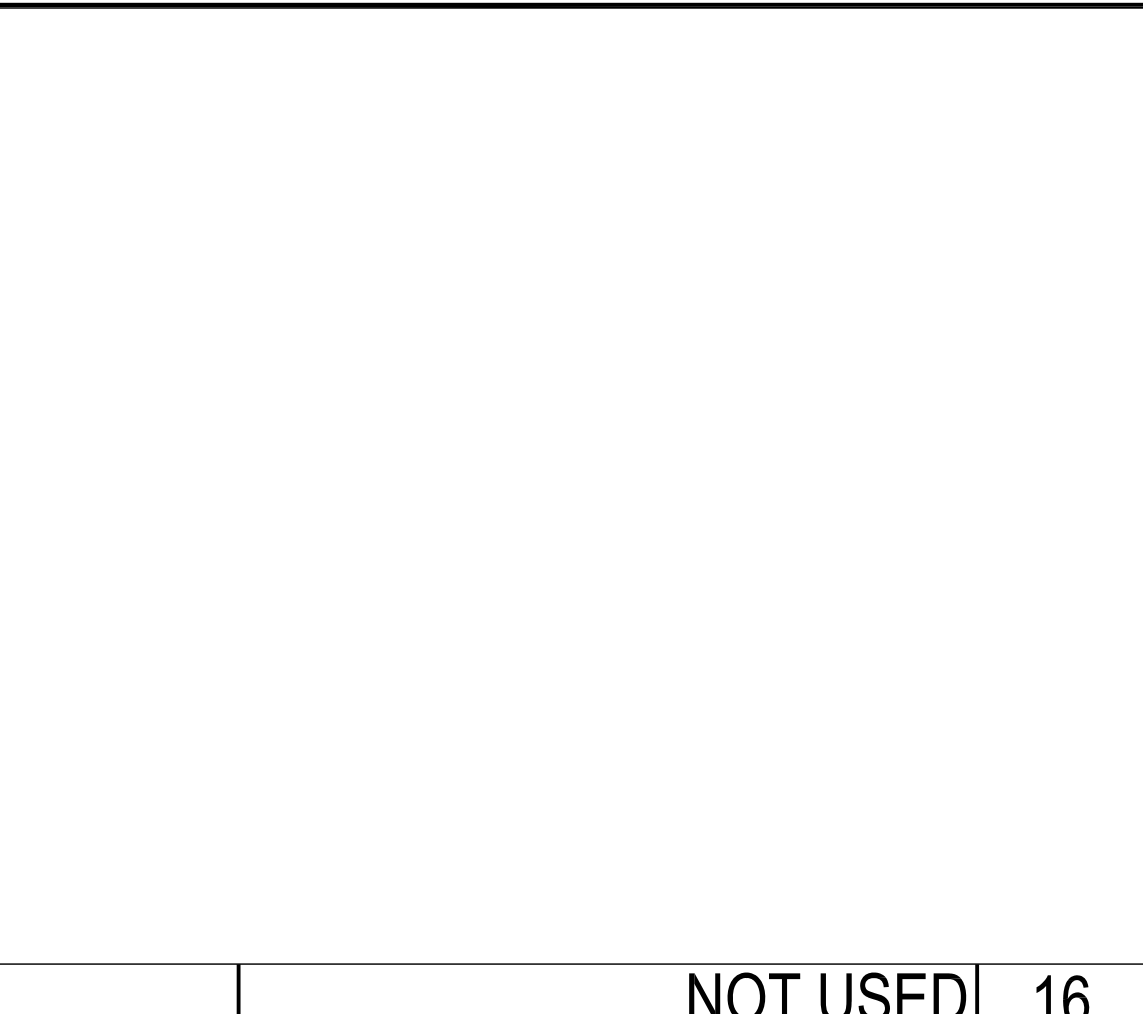
TRASH ENCLOSURE WALL SECTION

Scale= 1/2" = 1'-0" **A-407**



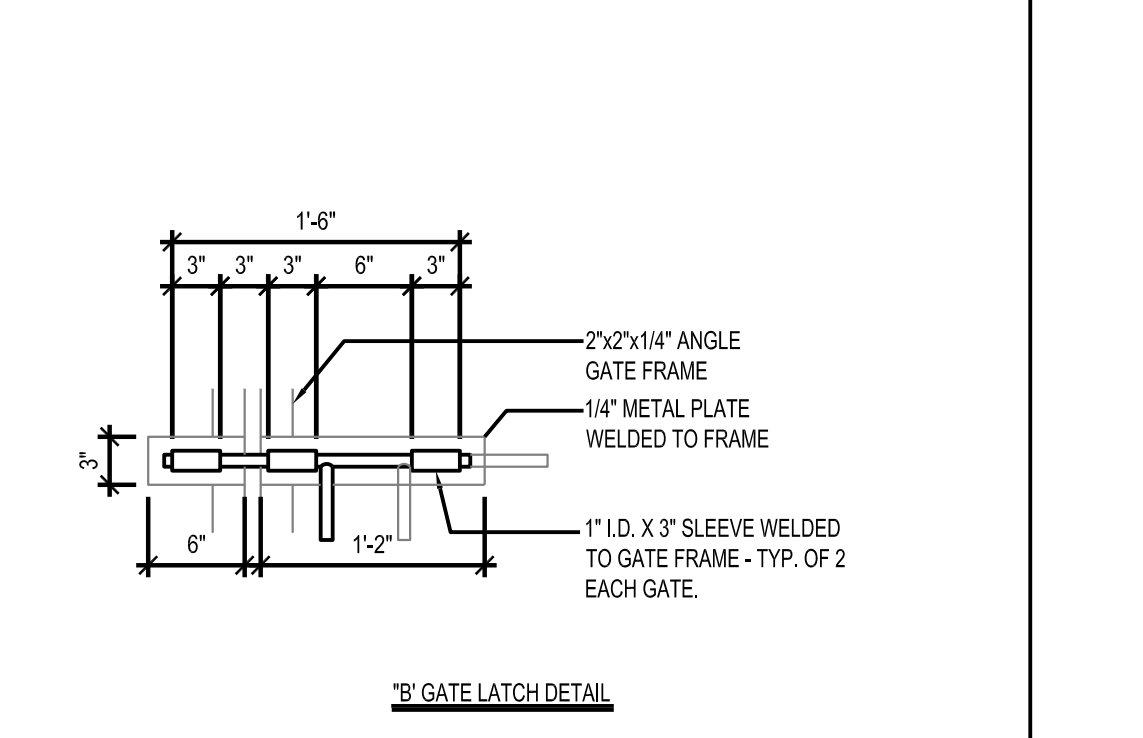
SIDE PANDA ELEVATION

Scale= 1/4" = 1'-0" **A-407**



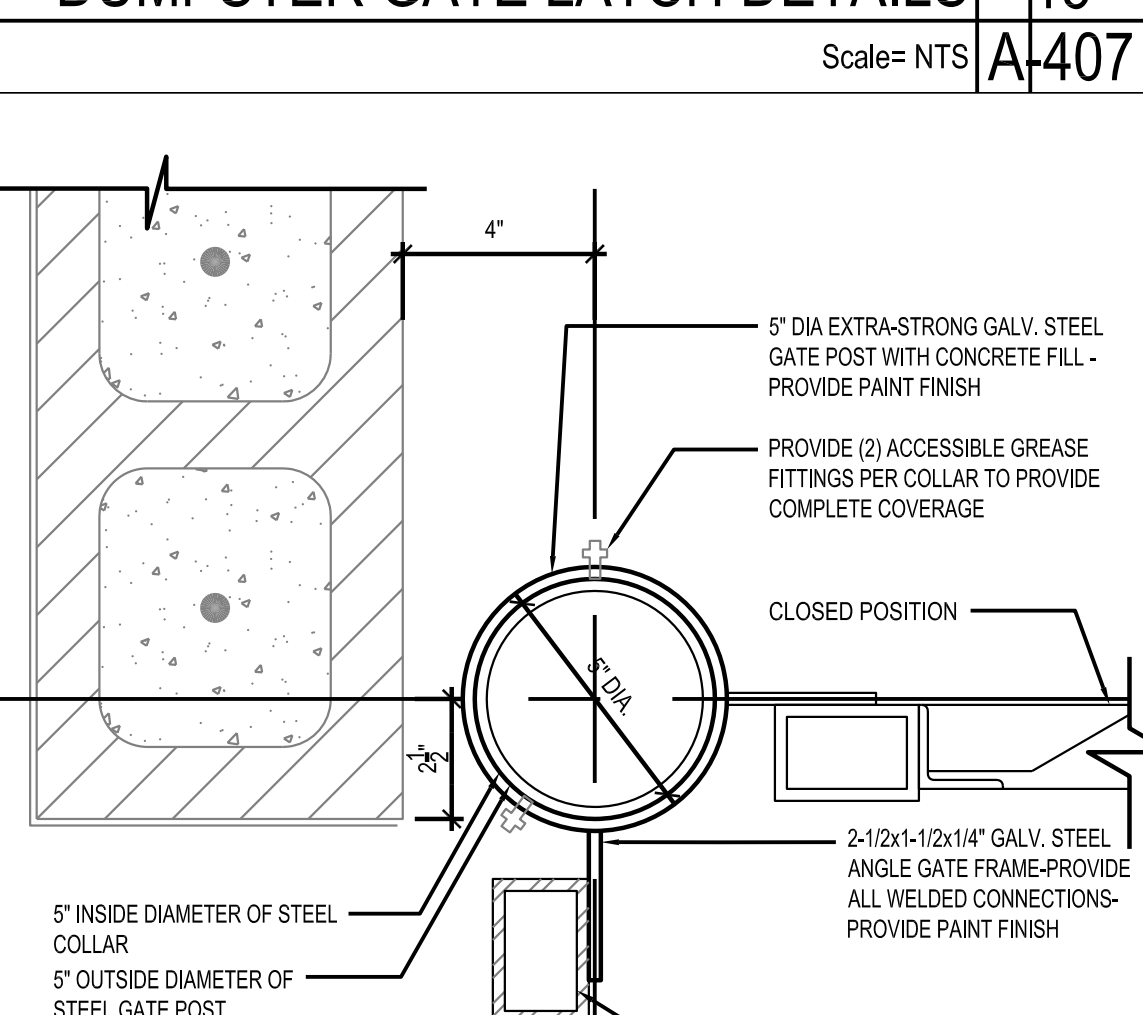
DUMPSTER GATE LATCH DETAILS

Scale= NTS **A-407**



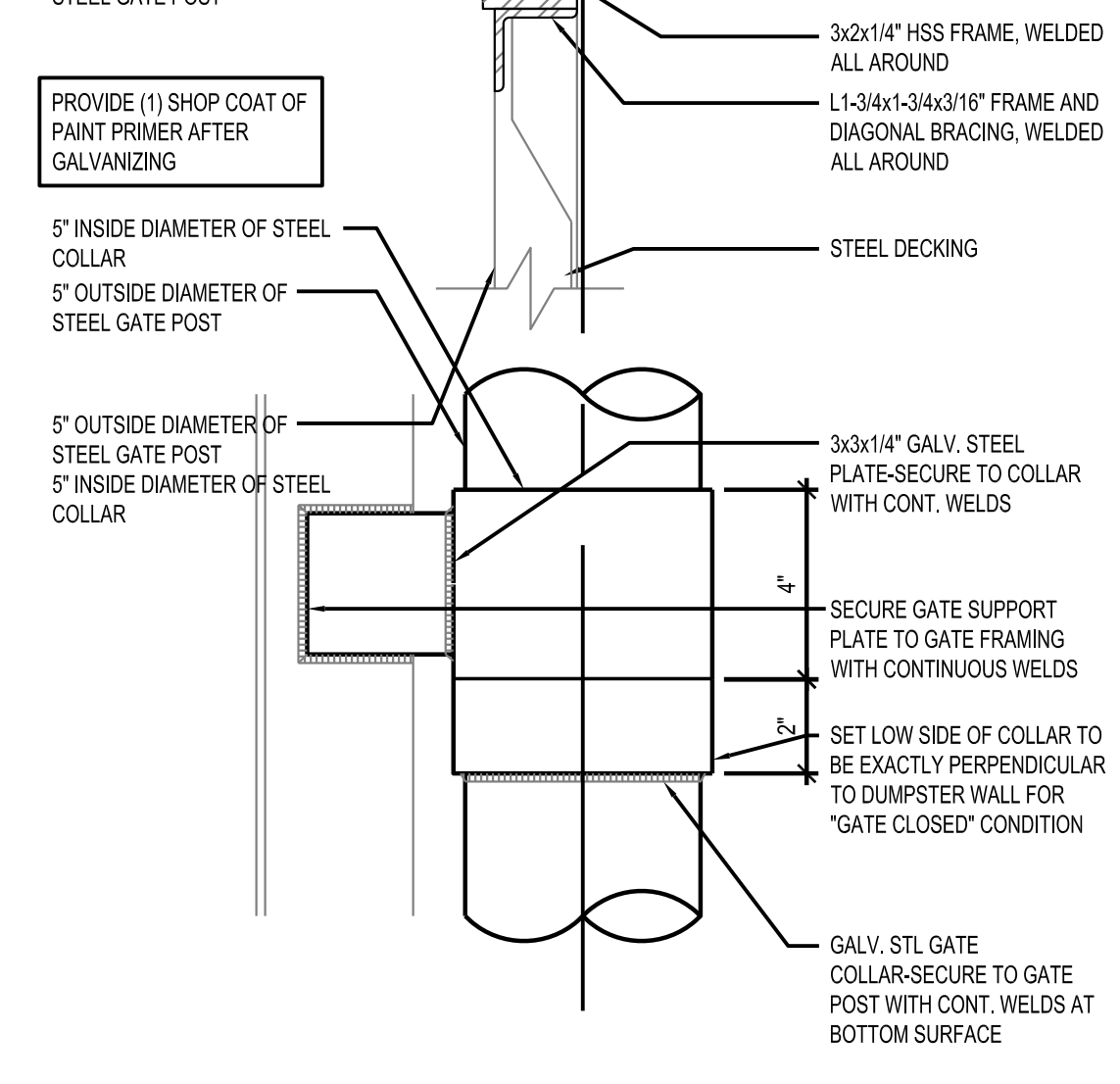
DUMPSTER GATE LATCH DETAILS

Scale= NTS **A-407**



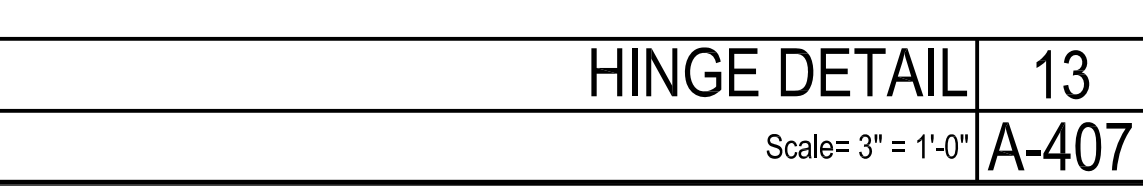
BOLLARD / POST BASE

Scale= 1" = 1'-0" **A-407**



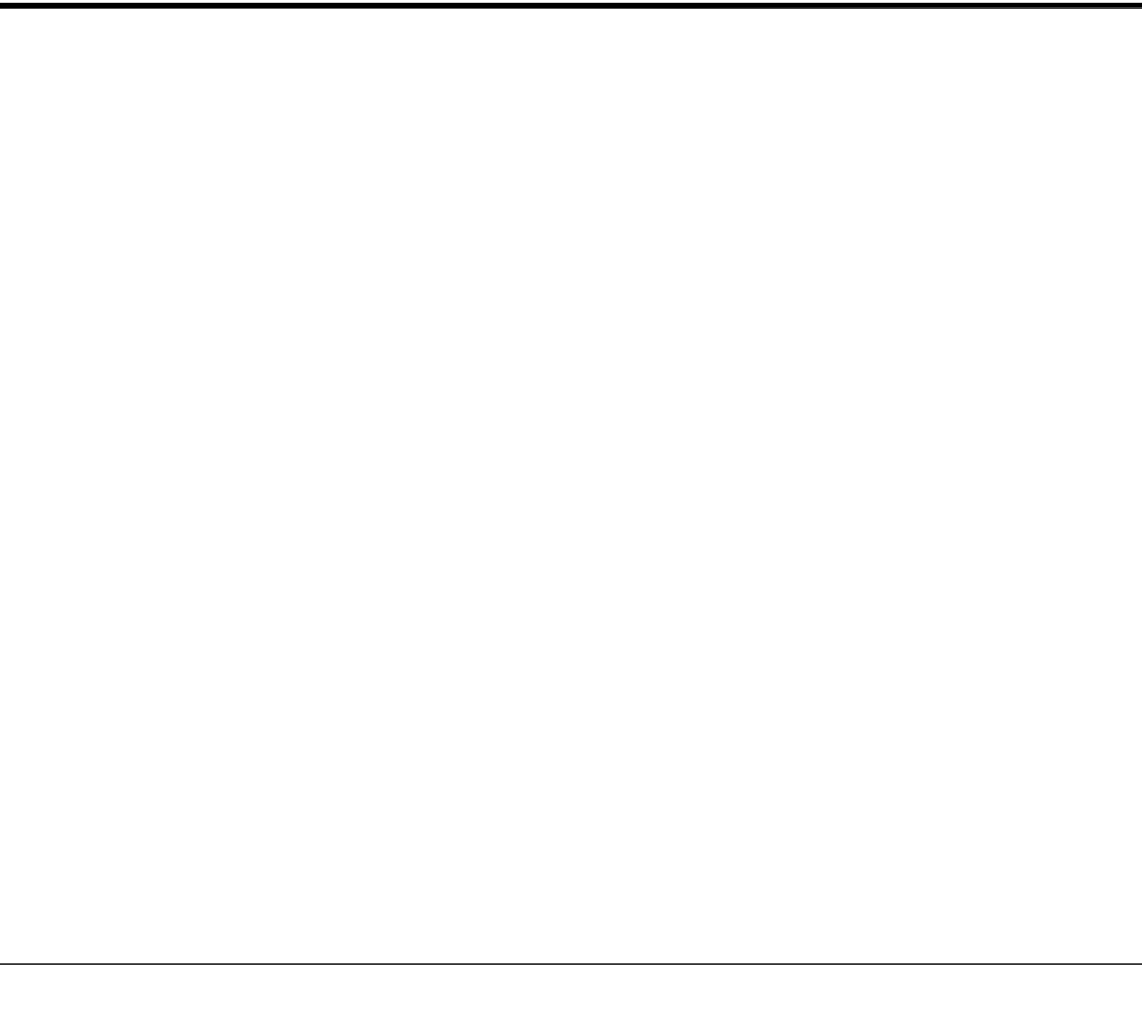
HINGE DETAIL

Scale= 3" = 1'-0" **A-407**



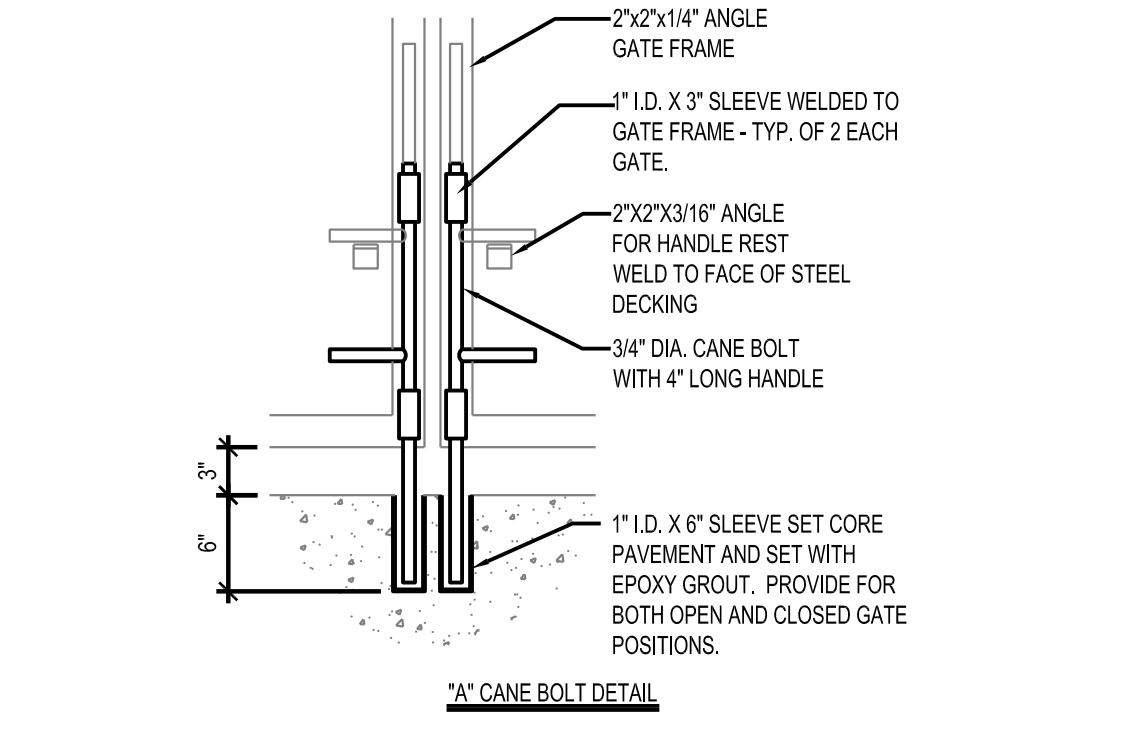
DUMPSTER CAP DETAIL

Scale= 3" = 1'-0" **A-407**



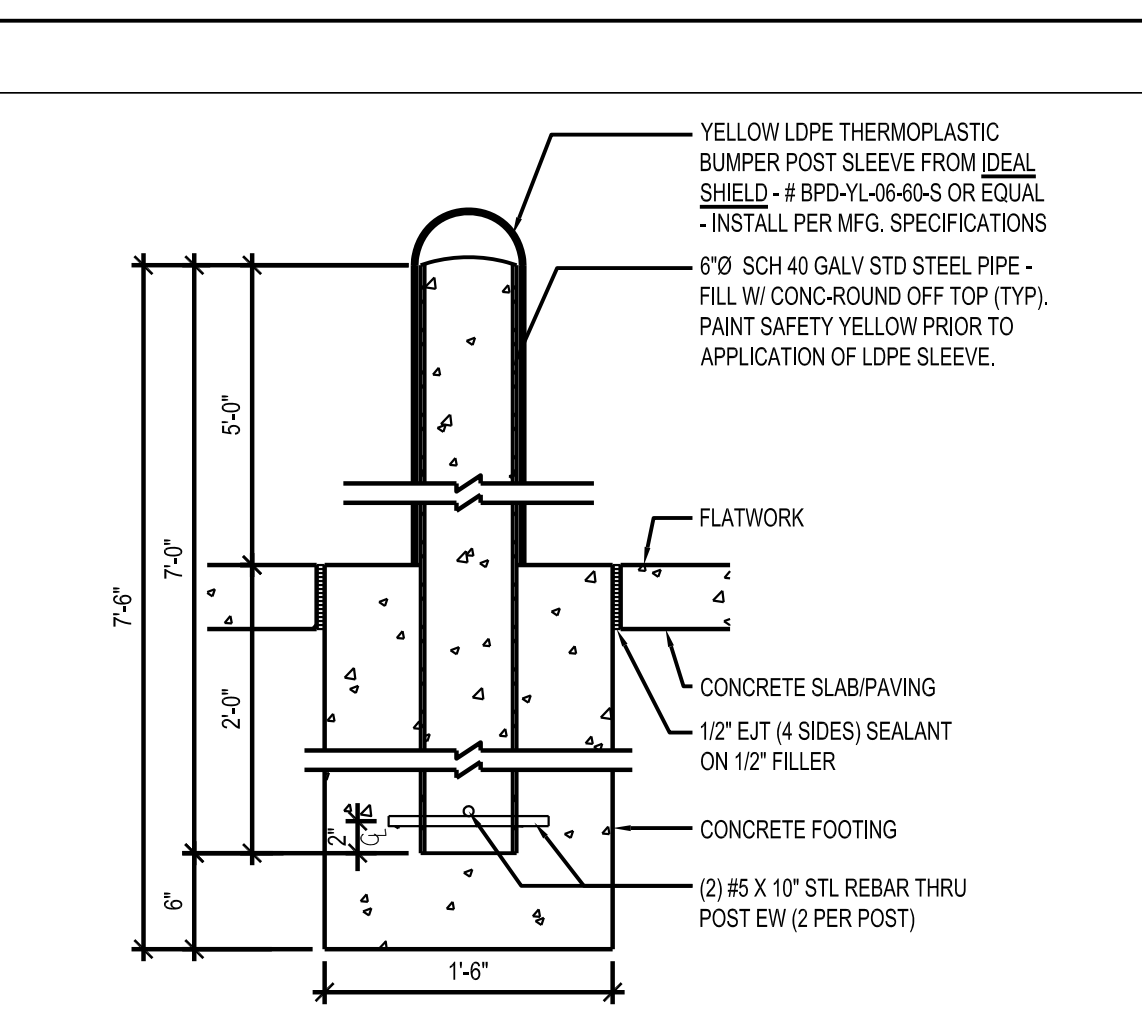
DUMPSTER CAP DETAIL

Scale= 3" = 1'-0" **A-407**



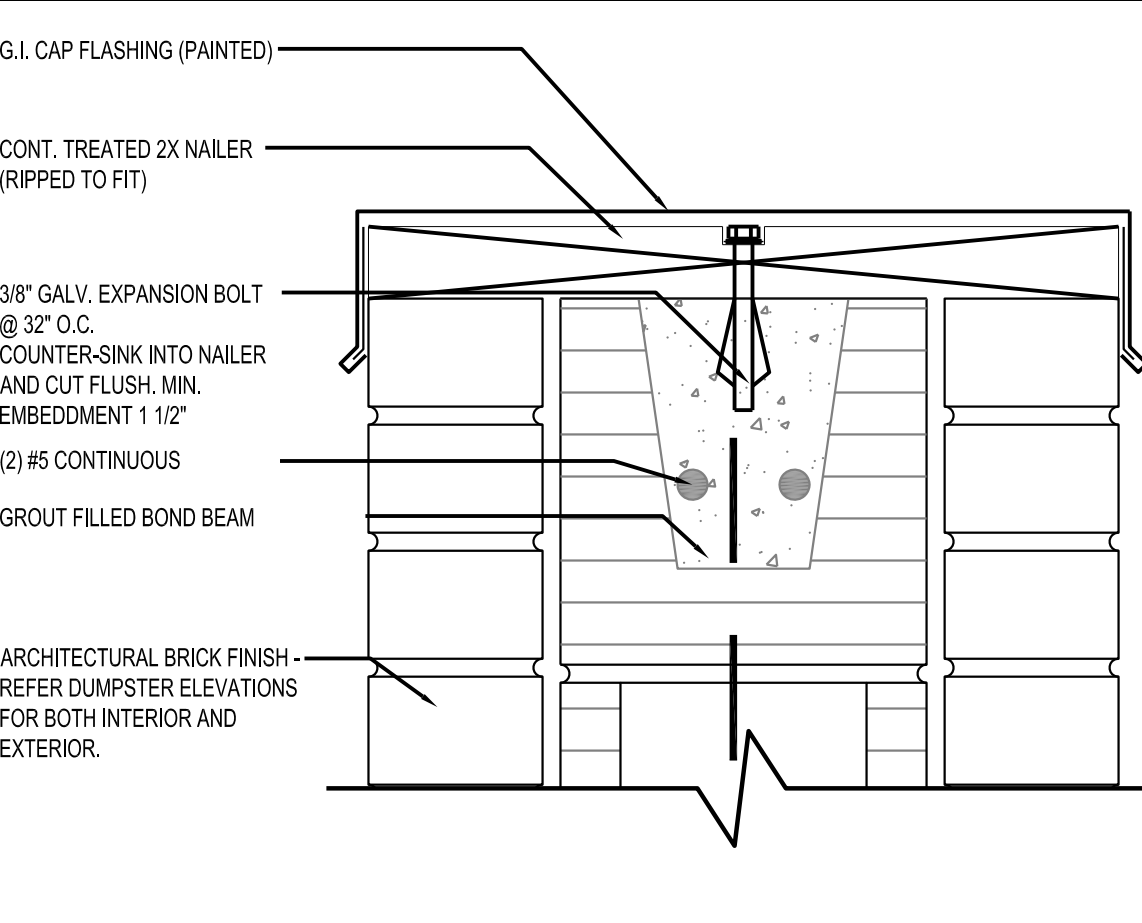
DUMPSTER CAP DETAIL

Scale= 3" = 1'-0" **A-407**



DUMPSTER CAP DETAIL

Scale= 3" = 1'-0" **A-407**



DUMPSTER CAP DETAIL

Scale= 3" = 1'-0" **A-407**