

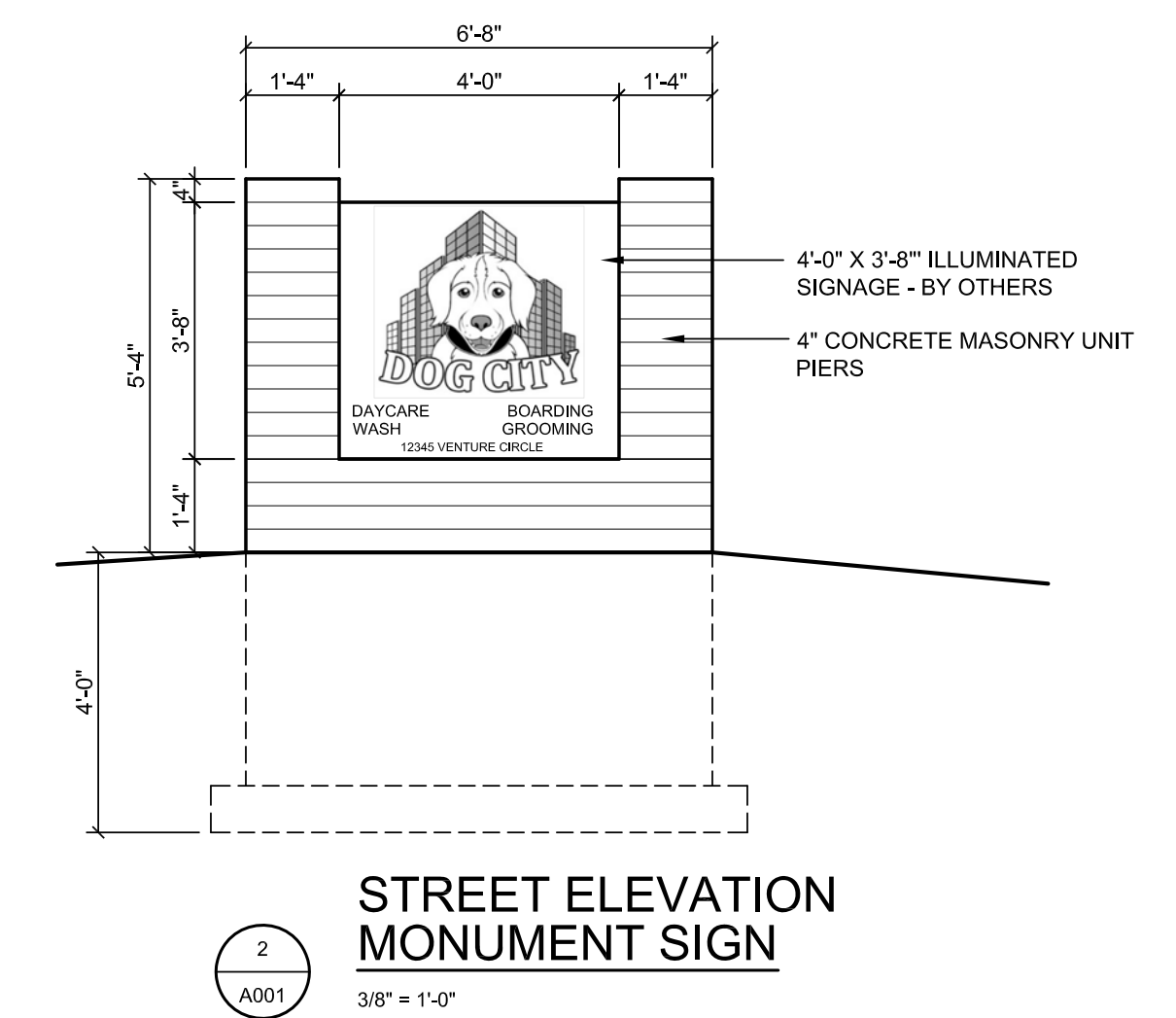
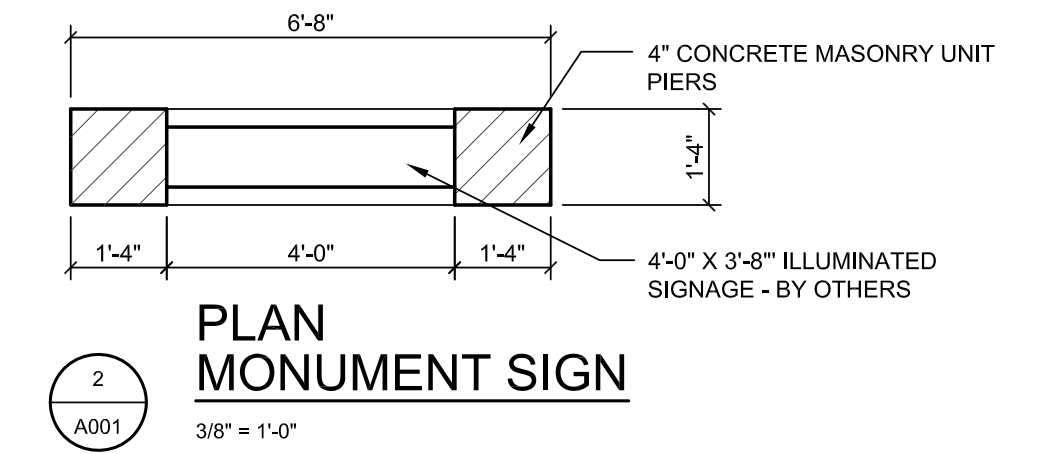
NEW BUILDING FOR:
DOG CITY
 VENTURE COURT
 WAUKESHA, WI



SHEET INDEX	
SHEET	DESCRIPTION
T	TITLE SHEET, BUILDING INFORMATION, SIGNAGE DETAILS
C1	GRADING, PAVING AND UTILITY PLAN
A100	SITE PLAN, FLOOR PLAN, DETAILS
A200	EXTERIOR ELEVATIONS, DUMPSTER DETAILS

BUILDING CODE SUMMARY	
BASED ON THE	2009 INTERNATIONAL EXISTING BUILDING CODE 2009 INTERNATIONAL BUILDING CODE 2003 ANSI A117.1 ACCESSIBILITY CODE ALL OTHER CODES AND ORDINANCES AS REFERENCED BY THE ABOVE CODES
TOTAL BUILDING AREA:	7,000 SF
OCCUPANCY/USE	B - BUSINESS
SPRINKLER SYSTEM	YES
CONSTRUCTION TYPE	TYPE VB

SITE INFORMATION	
TOTAL SITE BUILDABLE AREA:	65,340 SF
IMPERVIOUS AREAS	
PARKING / SIDEWALK	7,029 SF
BUILDING	7,000 SF
REAR PATIO	1,200 SF
TOTAL AREA	15,229 SF
OPEN SPACE RATIO	77% (GREEN SPACE)
PARKING PROVIDED	10 SPACES



PLAN COMMISSION SUBMITTAL



6528 W. North Avenue
 Milwaukee, Wisconsin 53213
 414 291-0772 phone
 www.galbraithcarnahan.com

CONSULTANT

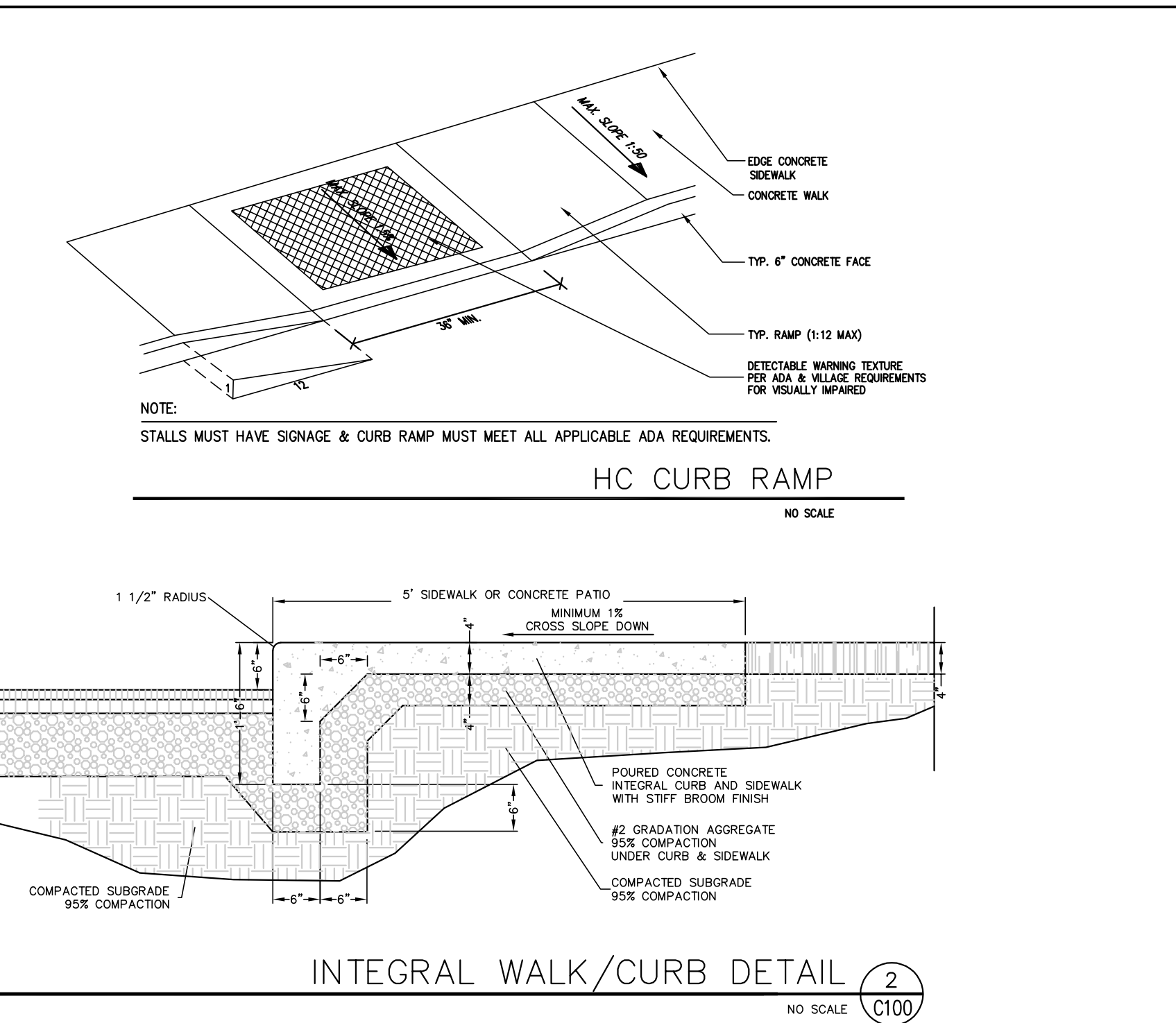
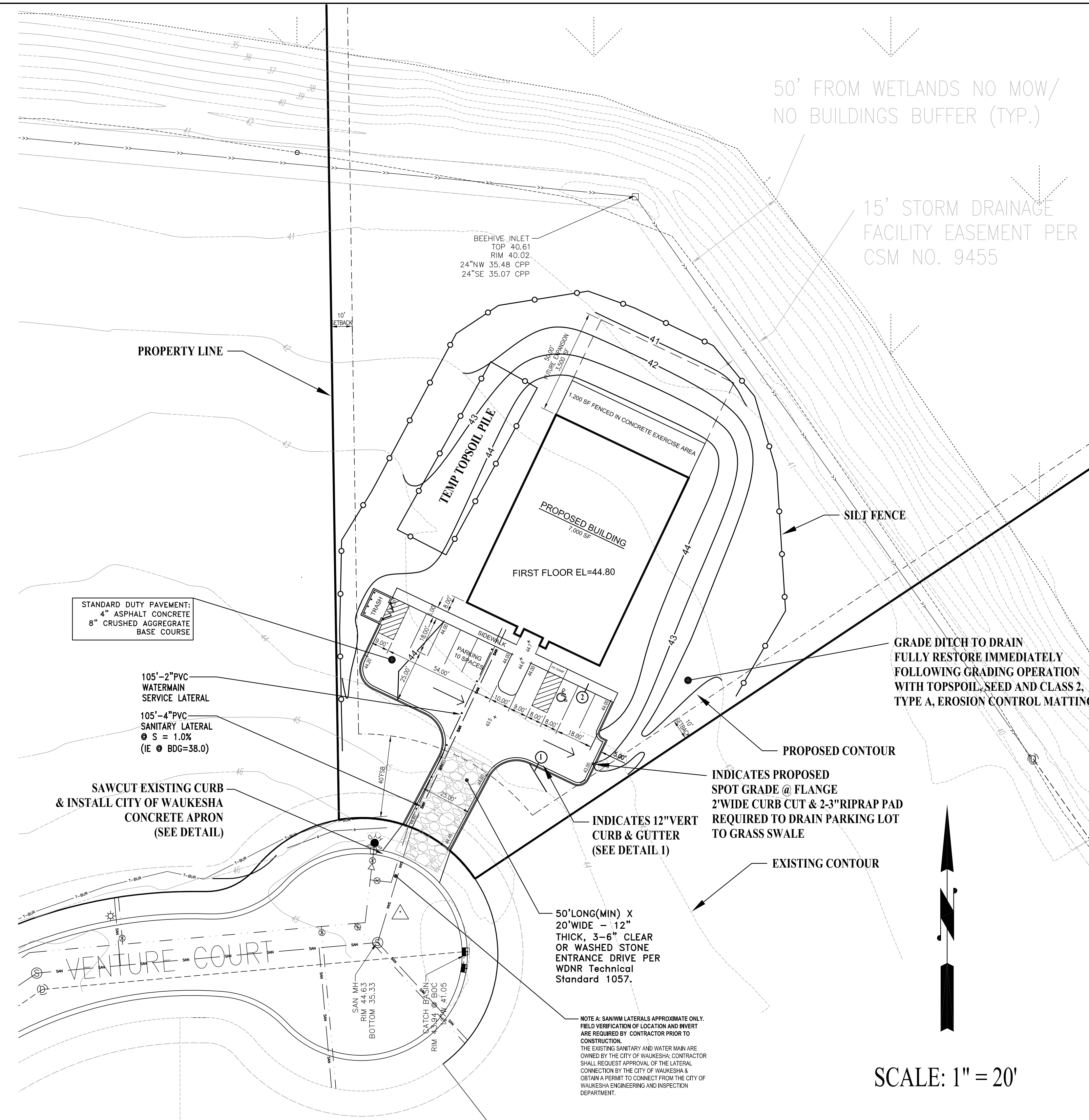
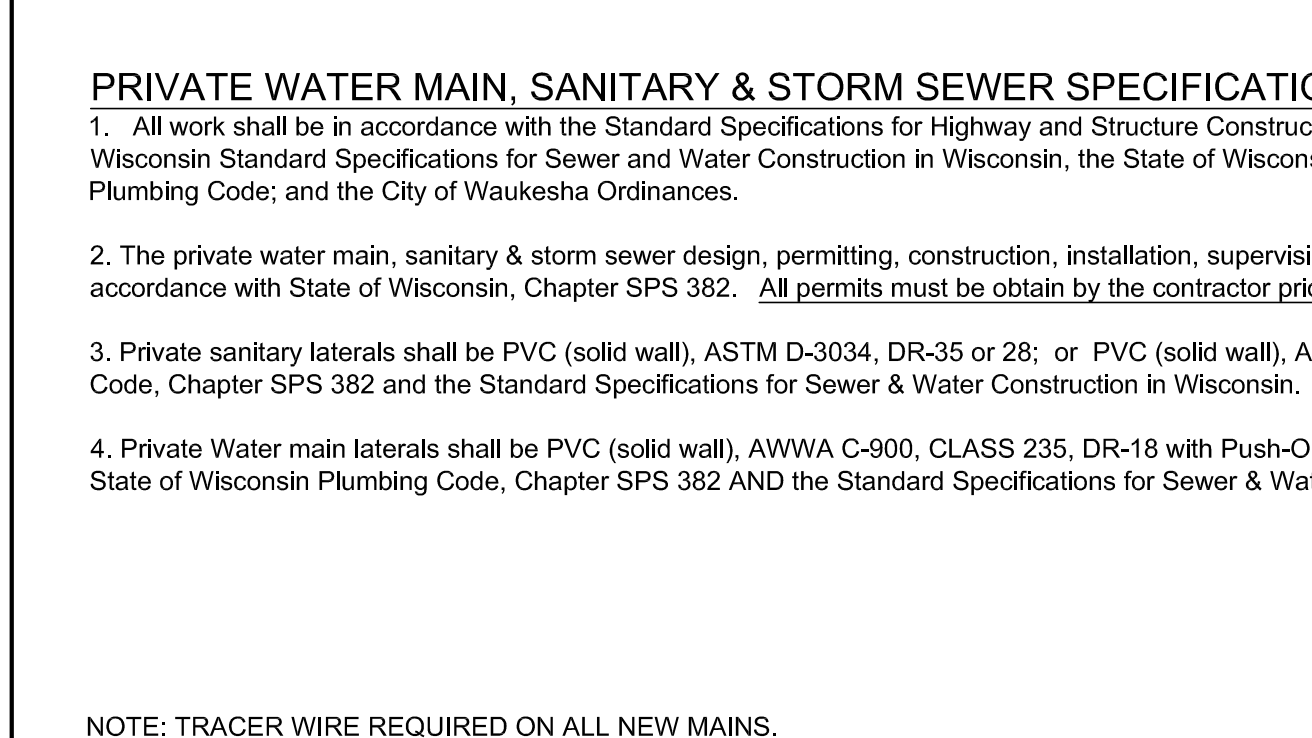
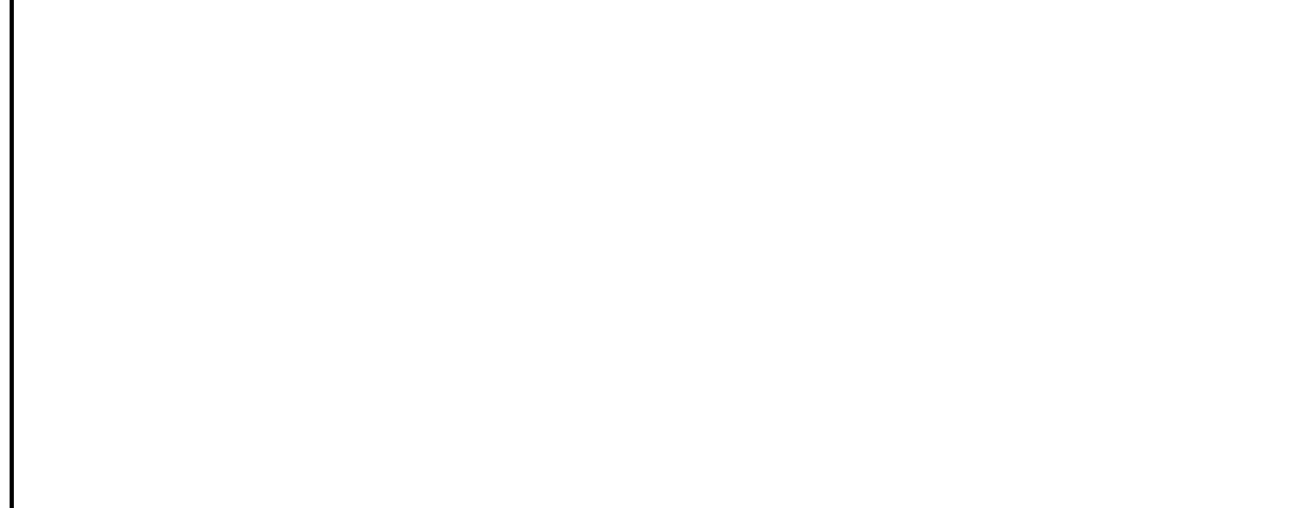
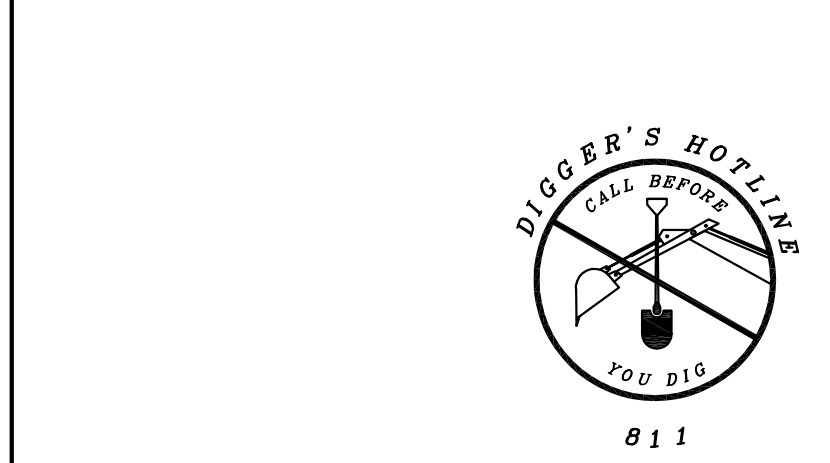
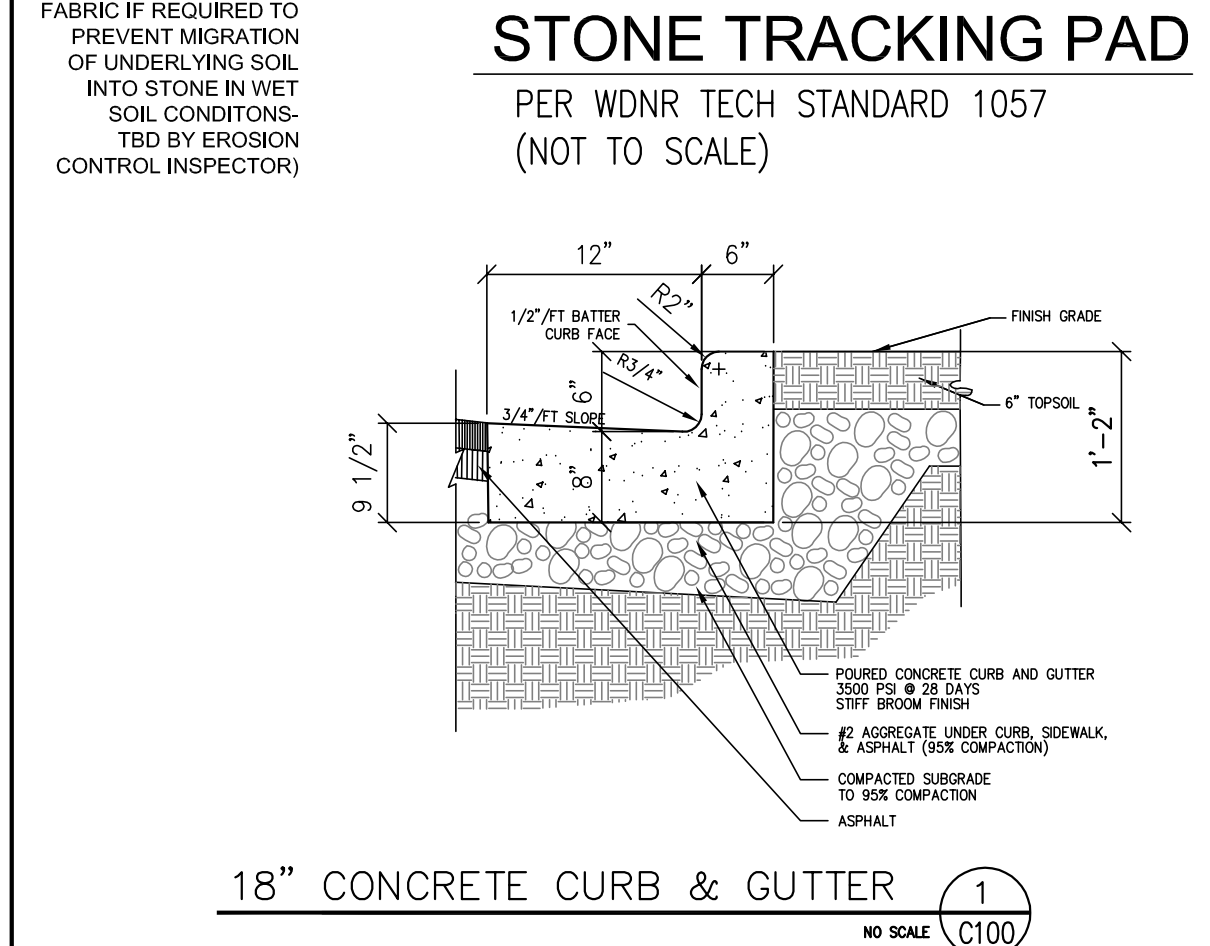
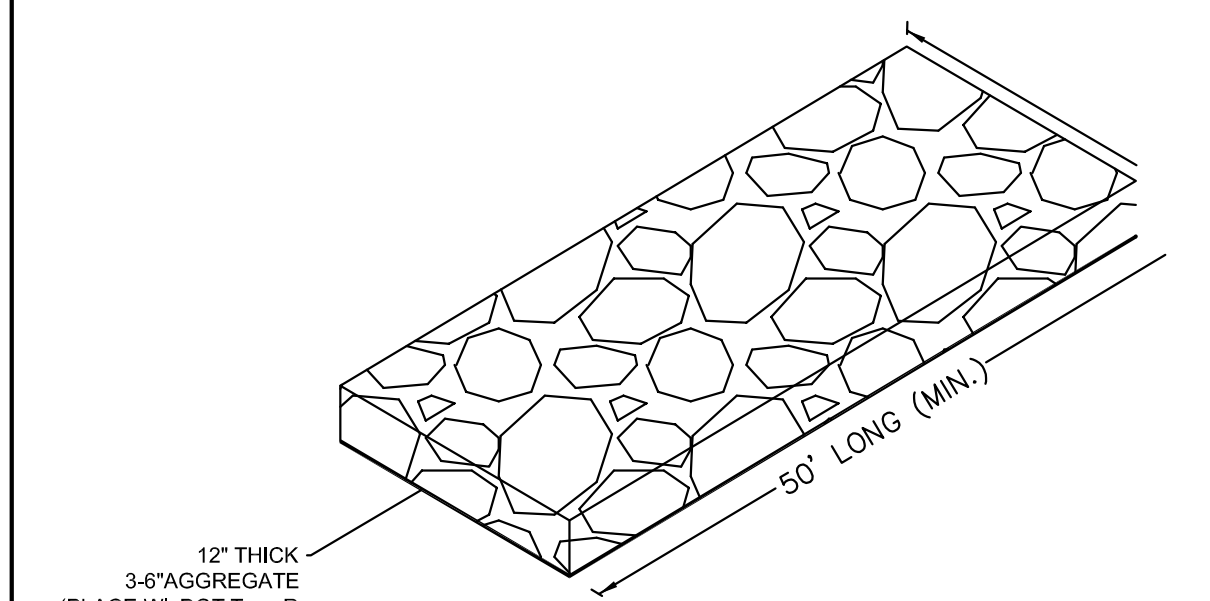
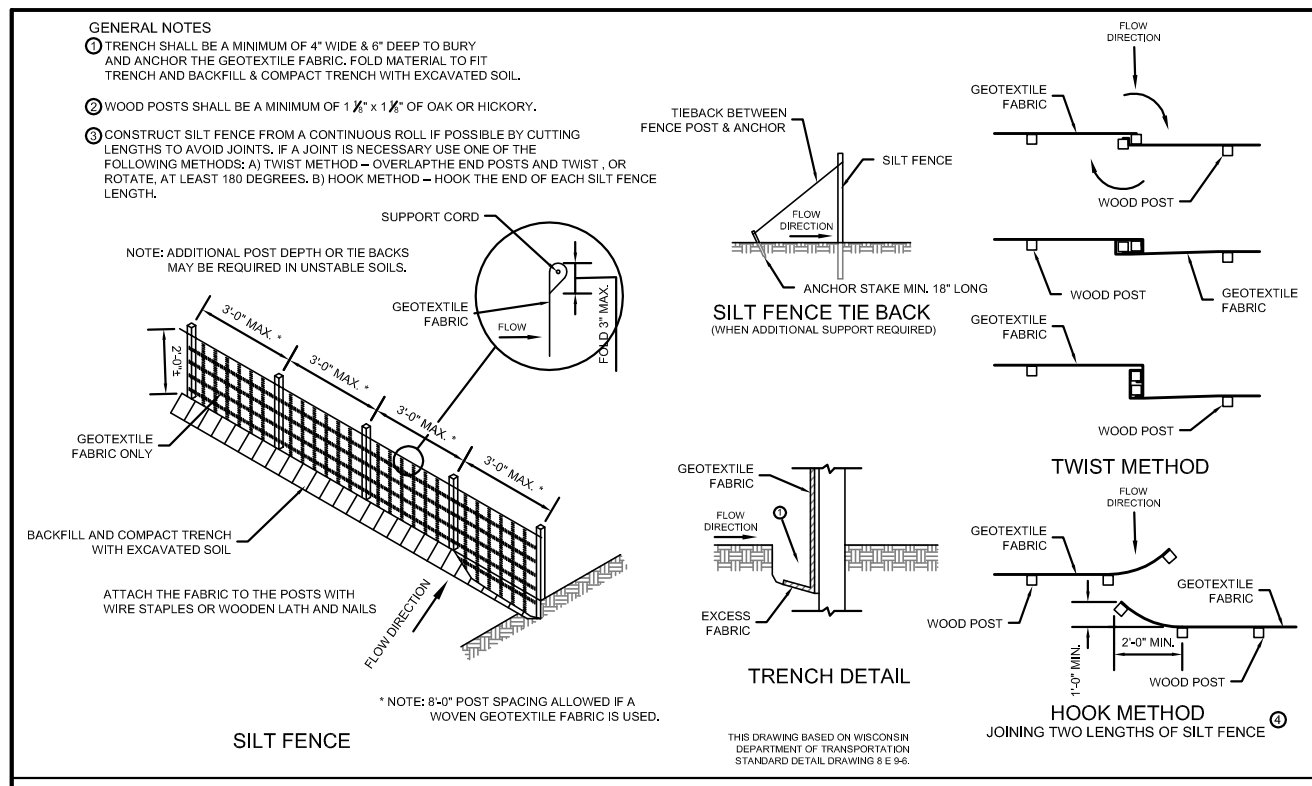
NEW BUILDING FOR:
DOG CITY
 VENTURE COURT
 WAUKESHA, WISCONSIN

DRAWING ISSUE DATE
 PLAN COMMISSION 01-29-18

PROJECT # 17.21

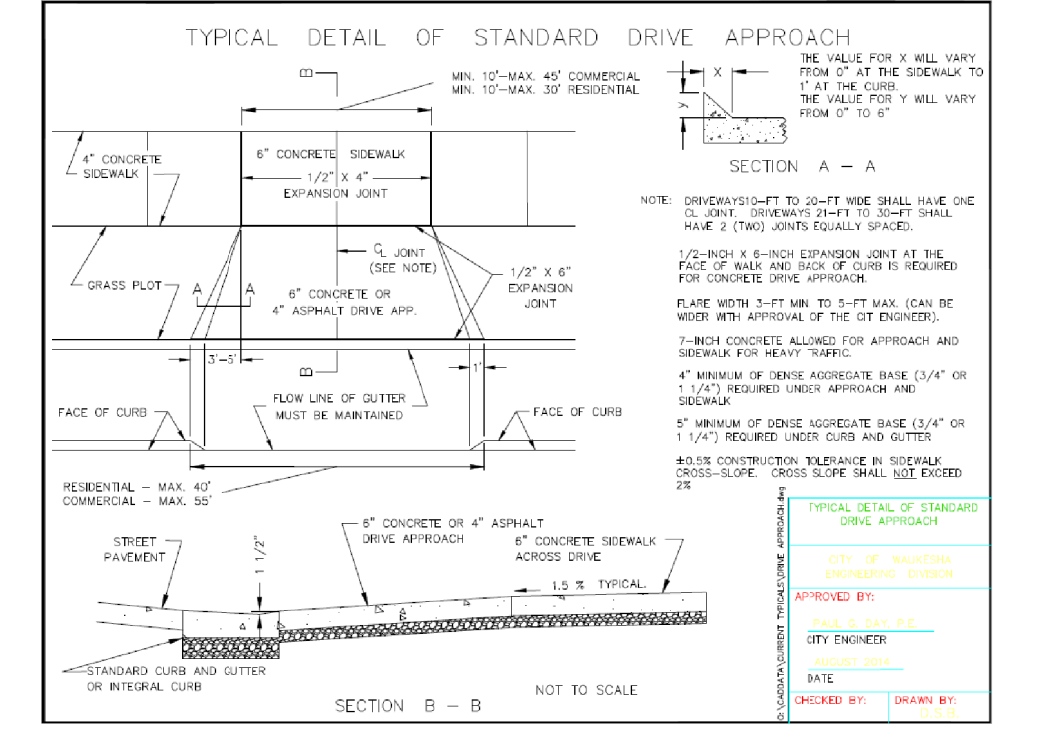
SITE PLAN, DETAILS

A001



- GENERAL CONSTRUCTION SPECIFICATIONS:**
- All work shall be in accordance with the Standard Specifications for Highway and Structure Construction, State of Wisconsin, Latest Edition, and the City of Waukesha Ordinances and the State of Wisconsin Standard Specifications for Sewer and Water Construction in Wisconsin and the design, construction, installation, supervision, maintenance and inspection of plumbing in accordance with State of Wisconsin, Chapter SPS 382. All permits must be obtained by the contractor prior to commencing work.
 - All erosion control measures specified on the project Erosion Control Plan shall meet the design criteria, standards and specifications as set forth in the Department of Natural Resources Wisconsin Technical Standards.
 - All erosion control devices (i.e., silt fence, gravel entrance, inlet protection, etc.) shall be installed prior to commencing mass grading or utility construction.
 - All activities on the site shall be conducted in a logical sequence to minimize the area of bare soil exposed at any one time.
 - The general contractor shall provide all surveying and construction staking for this contract. All contractors shall exercise care and diligence in protecting the same.
 - The contractor shall notify Diggers Hotline, the local municipality and all government agencies that may be affected by the contractor's operations at least three (3) days before breaking ground. Diggers Hotline number is 811.
 - Public roads shall not be closed to traffic at any time. All ingress and egress traffic to the project shall be limited to the gravel entrance to the property.
 - Contractor shall be responsible for maintaining the Public Roadways. The Public Roadways adjacent to this project shall be kept free of silt or dirt tracked from areas under construction by sweeping at the end of each work day or more often, as required. Dust generated by construction activities shall be minimized by use of watering, construction scheduling or other appropriate methods.
 - Upon completion of the work as specified, respread four (4") inches of salvaged topsoil over all disturbed open space areas outside of the proposed roadway and provide seed, fertilizer and mulch per the Standard Specifications.
 - All disturbed areas shall be revegetated within seven days of no disturbance. Highway mix #40 shall be used for seeding with an application rate of 4.0 lbs/1000 sf.
 - All erosion control devices shall be routinely inspected every seven days or within 24 hours of a rainfall greater than 0.5 inches. (By GENERAL CONTRACTOR).
 - If permanent seeding is not completed by September 15, apply temporary seeding. If temporary seeding is not completed by October 15, erosion control matting or other Village approved method shall be applied to invasive disturbed soils between October 15th and May 1st as a temporary soil stabilization measure during the non-growing season.

- CONSTRUCTION PHASING SEQUENCING:**
- THE CONTRACTOR MUST FOLLOW THE FOLLOWING CONSTRUCTION SEQUENCE AS REQUIRED BY THE WDNR AND THE CITY OF WAUKESHA.
- INSTALL GRAVEL CONSTRUCTION ENTRANCE AS SHOWN ON THE PLAN (TRACKING PAD).
 - INSTALL SILT FENCE AND INLET PROTECTION IN ALL EXISTING INLET ADJACENT TO SITE AND PROPOSED INLETS ON SITE. INLET PROTECTION SHALL BE IN ACCORDANCE WITH THE WDNR TECHNICAL STANDARD 1060 (TYPE B & D).
 - STRIP TOPSOIL FROM THE STRUCTURAL AREAS AND STOCKPILE AS SHOWN WITH SILT FENCE BOUNDARY. THE TOPSOIL PILE REQUIRES TEMPORARY STABILIZATION IF LEFT INACTIVE FOR MORE THAN 14 DAYS.
 - CONSTRUCT STORM SEWER AND SAN/WV LATERALS.
 - COMPLETE BUILDING, PARKING LOT, WALKS & LANDSCAPE AREAS.
 - TOPSOIL RE-VEGETATE AND STABILIZE ALL REMAINING DISTURBED AREAS.
 - AFTER ALL DISTURBED AREAS ARE WELL-ESTABLISHED AND FOLLOWING FINAL AS-BUILT ACCEPTANCE BY THE VILLAGE, REMOVE ALL SILT FENCE AND ANY OTHER TEMPORARY BMP'S.
- CONSTRUCTION SCHEDULE:** START DATE: OCTOBER 2017
COMPLETION DATE: OCTOBER, 2018



SURVEY NOTE:

THE EXISTING BOUNDARY & TOPOGRAPHIC SURVEY SHOWN HEREON WAS PROVIDED BY METROPOLITAN SURVEY SERVICE, DATED JANUARY 2018.

THE UNDERGROUND UTILITY INFORMATION AS SHOWN HEREON IS BASED, IN PART, UPON INFORMATION FURNISHED BY UTILITY COMPANIES AND THE LOCAL MUNICIPALITY. WHILE THIS INFORMATION IS BELIEVED TO BE RELIABLE, ITS ACCURACY AND COMPLETENESS CANNOT BE GUARANTEED NOR CERTIFIED TO.

REVISIONS	
DATE	BY

ELLENA ENGINEERING CONSULTANTS, LLC
SITE CIVIL ENGINEERING & STORMWATER MANAGEMENT

Ellena Engineering Consultants, LLC • 700 Pilgrim Parkway - Suite 100 • Elm Grove, WI 53122
Phone: 262-719-6183 • Fax: 866-457-2584 • Email: mellen@ececeng.com

DOGIE DAYCARE
City of Waukesha, Wisconsin

GRADING, PAVING & UTILITY PLAN

SCALE: 1"=20' JOB NO.: DATE: 01-25-18
DESIGNED BY: MRE, PE C100

MARK R. ELLENA
E-24090
WAUKESHA, WI
PROFESSIONAL ENGINEER

