

H

G

F

E

D

C

B

A

H

G

F

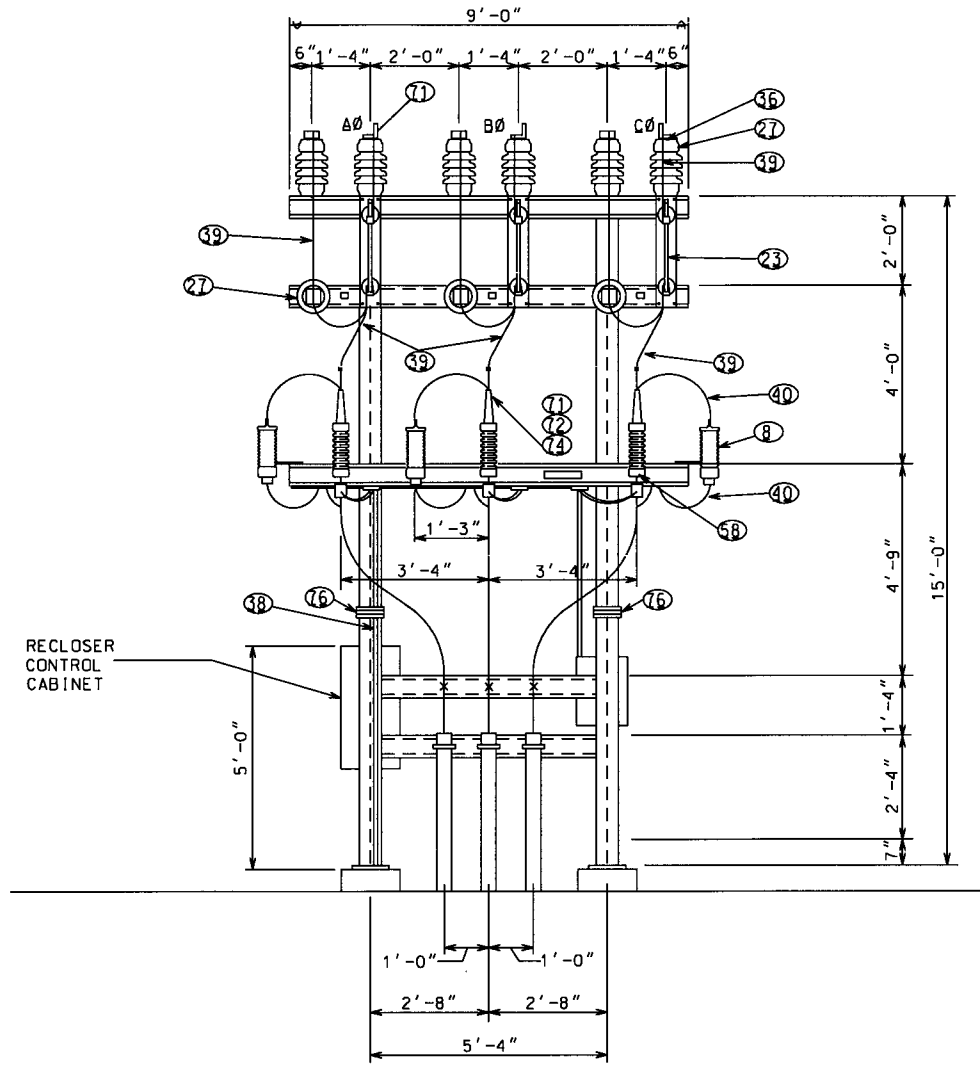
E

D

C

B

A



SECTION VIEW  
TYPICAL FEEDER EXIT  
(LOOKING SOUTH)

REV.	DATE	BY	CHKD.	APPV'D.	DESCRIPTION

REF FILES

weenergies **UCS**

VENDOR No:  
720075

SECTION VIEW  
12.47KV EQUIPMENT  
TYPICAL FEEDER EXIT  
WELMALK SUBSTATION

RELEASE FOR FABRICATION:	DATE:	REV.
RELEASE FOR CONSTRUCTION:	DATE:	REV.
RELEASE FOR AS BUILT:	DATE:	REV.

© We Energies 2013

DRAWN	DATE	APPRVD.	DATE	FILE
IJK	08-27-13	CJB	08-27-13	720075.dgn
CHECKED	DATE	WR. NO.	ORDER NO.	SCALE
		3586028	.511458	1/2"=1'-0"
FWEW 121   PBSL   000   002   00				