

LED AREA LIGHTS - (XGBM)



DOE LIGHTING FACTS

Department of Energy has verified representative product test data and results in accordance with its Lighting Facts Program. Visit www.lightingfacts.com for specific catalog strings.

| LIGHT OUTPUT - XGBM | | | | | | |
|---------------------|----|------------------|--------|---------|----------|-----------------|
| | | Lumens (Nominal) | | | | Watts (Nominal) |
| | | Type 3 | Type 5 | Type FT | Type FTA | |
| Cool White | LW | 14080 | 13840 | 15020 | 16560 | 140 |
| | SS | 20180 | 18040 | 20700 | 23030 | 187 |
| | HO | 26750 | 25460 | 29070 | 31810 | 300 |
| Neutral White | LW | 11450 | 11290 | 12220 | 13470 | 136 |
| | SS | 16390 | 15170 | 17230 | 18750 | 188 |
| | HO | 22240 | 20550 | 23510 | 25410 | 288 |

LED Chips are frequently updated therefore values may increase.

US patent D574994 & 7,828,456 and MX patent 29631 and US & Int'l. patents pending

SMARTTEC™ THERMAL CONTROL - LSI drivers feature integral sensor which reduces drive current when ambient temperatures exceed rated temperature.

OCCUPANCY SENSING (IMS) – Optional integral passive infrared motion sensor activates switching of luminaire light levels. High level light is activated and increased to full bright in 1-2 seconds upon detection of motion. Low light level (30% maximum drive current) is activated when target zone is absent of motion activity for ~2 minutes and ramps down (10-15 seconds) to low level to allow eyes time to adjust. Sensor is located on the front of optical assembly and rotates with the optic. Sensor optic has a detection cone of approximately 45°. Examples of detection – occurs 30' out from a 30' mounting height pole; occurs 20' out from a 20' mounting height pole.

ENERGY SAVING CONTROL OPTIONS – DIM – 0-10 volt dimming enabled with controls by others. BLS – Bi-level switching responds to external line voltage signal from separate 120-277V controller or sensor (by others), with low light level decreased to 30% maximum drive current.

EXPECTED LIFE - Minimum 60,000 hours to 100,000 hours depending upon the ambient temperature of the installation location. See LSI web site for specific guidance.

LEDS - Select high-brightness LEDs in Cool White (5000K) or Neutral White (4000K) color temperature, 70 CRI.

DISTRIBUTION/PERFORMANCE - Types 3, 5, FT and FTA available - field rotatable reflectors.

HOUSING - Square, die-formed aluminum. Fully enclosed weather-tight housing contains factory prewired drivers and field connections.

TOP-ACCESS COVER - Gasketed, tethered top-access cover provides ease of installation and allows for easy driver access. Four captive stainless-steel fasteners secure the top-access cover to the housing.

OPTICAL UNIT - Clear tempered optical grade flat glass lens sealed to aluminum housing creates an IP67 rated, sealed optical unit (includes pressure stabilizing breather). Optical unit can be easily field rotated in 90o increments. Directional arrow on optics allows alignment without the unit being energized.

MOUNTING - 2-1/2" x 5-3/8" x 12" extruded aluminum arm mounting bracket shipped standard. Use with 5" traditional drilling pattern. Round Pole Plate (RPP2) required for mounting to 3"-5" round poles. (See Accessory Ordering Information chart.)

ELECTRICAL - Two-stage surge protection (including separate surge protection built into electronic driver) meets IEEE C62.41.2-2002, Location Category C. Available with universal voltage power supply 120-277VAC (UE - 50/60Hz input), and 347-480VAC.

DRIVERS - Available in Low Watt (LW), Super Saver (SS) and High Output (HO) drive currents (Drive currents are factory programmed). Components are fully encased in potting material for moisture resistance. Driver complies with FCC 47 CFR part 15 RFI/EMI standard.

OPERATING TEMPERATURE - -40°C to +50°C (-40°F to +122°F).

FINISH - Fixtures are finished with LSI's DuraGrip® polyester powder coat finishing process. The DuraGrip finish withstands extreme weather changes without cracking or peeling.

DECAL STRIPING - LSI offers optional color-coordinated decals in 9 standard colors to accent the fixture. Decals are guaranteed for five years against peeling, cracking, or fading.

WARRANTY - LSI LED fixtures carry a limited 5-year warranty.

PHOTOMETRICS - Please visit our web site at www.lsi-industries.com for detailed photometric data.

SHIPPING WEIGHT (IN CARTON) - Fixture - 44.5 lbs (20 kg) Arm - 5 lbs. (2kg) arm

LISTING - UL listed to U.S. and Canadian safety standards. Suitable for wet locations. For a list of the specific products in this series that are DLC listed, please consult the LED Lighting section of our website or the Design Lights website at www.designlights.org.

This product, or selected versions of this product, meet the standards listed below. Please consult factory for your specific requirements.



Fixtures comply with ANSI C136.31-2010 American National Standard for Roadway Lighting Equipment - Luminaire Vibration 3G requirements.



Project Name _____ Fixture Type _____
 Catalog # _____

10/21/15
 © 2015
 LSI INDUSTRIES INC.

LED AREA LIGHTS - (XGBM)

LUMINAIRE ORDERING INFORMATION

TYPICAL ORDER EXAMPLE: **XGBM 5 LED HO CW UE WHT PCM**

| Prefix | Distribution | Light Source | Drive Current | Color Temperature | Input Voltage | Finish | Optional Controls | Optional Sensor/Options |
|------------------------------------|--|--------------|---|---|---|--|---|--|
| XGBM ¹ - LED Greenbriar | FT - Forward Throw FTA - Forward Throw Automotive 3 - Type III 5 - Type V | LED | LW - Low Watt SS - Super Saver HO - High Output | CW - Cool White (5000K) NW - Neutral White (4000K) | UE - Universal Voltage (120-277) 347-480 | BLK - Black BRZ - Bronze GPT - Graphite MSV - Metallic Silver PLP - Platinum Plus SVG - Satin Verde Green WHT - White Optional Color Decals 45 - Light Gold 20 - Charcoal Metallic 55 - Black 94 - Blue Metallic 59 - Dark Green 51 - Dark Red 21 - Tomato Red 50 - White 700 - Aztec Silver Metallic | Wireless Control System ^{2,3} (blank) - None PCM - Platinum Control System PCMH - Host/Satellite Platinum Control System GCM - Gold Control System GCMH - Host/Satellite Gold Control System DIM - 0-10 volt dimming (required for satellite fixtures) Stand-Alone Control (blank) - None DIM - 0-10 volt dimming ⁴ (from external signal) BLS - Bi-level Switching ⁵ (from external signal - required 120-277V controls system voltage) | Sensor IMS - Integral Motion Sensor ⁶ PCI120 - 120V Button-Type Photocell PCI208 - 208V Button-Type Photocell PCI240 - 240V Button-Type Photocell PCI277 - 277V Button-Type Photocell PCI347 - 347V Button-Type Photocell Options 8BK - 8" Bracket (S and D180 only) TB - Terminal Block |

| LUMINAIRE EPA CHART ² - XGBM | | |
|---|-------------------------|-------------|
| | 8" Bracket | 12" Bracket |
| Single | 2.3 | 2.4 |
| D180° | 4.7 | 4.8 |
| D90° | 12" Bracket Required | 4.7 |
| T90° | | 7.2 |
| TN120° | | 7.3 |
| Q90° | | 8.8 |

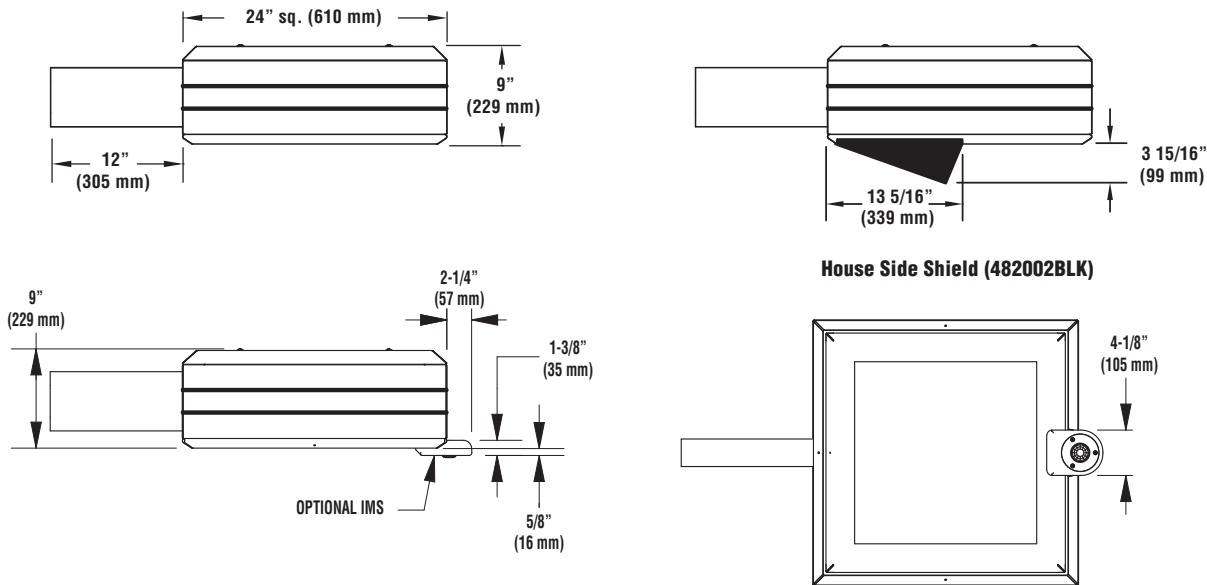
Note: House Side Shield adds to fixture EPA. Consult Factory.

| ACCESSORY ORDERING INFORMATION ² | | | |
|---|-------------------------|---|-------------------------|
| (Accessories are field installed) | | | |
| Description | Order Number | Description | Order Number |
| XGBM-HSS House Side Shield (Black only) | 482002 BLK ⁷ | DFK208, 240 Double Fusing (208V, 240V) | DFK208,240 ⁸ |
| RPP2 - Round Pole Plate | 162914BLK | DFK480 Double Fusing (480V) | DFK480 ⁸ |
| BKS-BO-WM-* -CLR - Wall Mount Plate | 123111CLR | FK347 Single Fusing (347V) | FK347 ⁸ |
| BKA-BO-RA-8-CLR - Radius Arm | 169010CLR | PMOS120 - 120V Pole-Mount Occupancy Sensor | 518030CLR ⁹ |
| BKU-BO-S-19-CLR - Upsweep Bracket for round or square poles | 144191CLR | PMOS208/240 - 208, 240V Pole-Mount Occupancy Sensor | 534239CLR ⁹ |
| FK120 Single Fusing (120V) | FK120 ⁸ | PMOS277 - 277V Pole-Mount Occupancy Sensor | 518029CLR ⁹ |
| FK277 Single Fusing (277V) | FK277 ⁸ | PMOS480 - 480V Pole-Mount Occupancy Sensor | 534240CLR ⁹ |

FOOTNOTES:

- 1- Use with 5" traditional drilling pattern.
- 2- For wireless controls information and accessories, see Controls section.
- 3- Requires a SiteManager and override switch. Not compatible with BLS or IMS option.
- 4- Not compatible with IMS or BLS option.
- 5- Not compatible with wireless controls system, DIM or IMS option.
- 6- Not compatible with wireless controls system, DIM or BLS option.
- 7- House Side Shields add to fixture EPA. Consult factory.
- 8- Fusing must be located in the hand hole of pole.
- 9- To be used with any of the PCM/GCM wireless controls systems in the fixture. Consult factory.

DIMENSIONS



Project Name _____ Fixture Type _____
Catalog # _____

10/21/15
© 2015
LSI INDUSTRIES INC.