

CALCULATION STATISTICS

OVERALL SITE	PARKING/LOADING-CORCULATING
AVERAGE: 3.4	MAXIMUM: 2.7
MINIMUM: 0.0	MAXIMUM: 17.0
MAXIMUM: 87.9	MINIMUM: 0.4
MAXIMUM: 0.0	MAXIMUM: 42.51
MAXIMUM: N/A	MAXIMUM: 6.81
ASDHMIN: N/A	ASDHMIN: 0.81

NOTE:
FOOTCANDLE LEVELS SHOWN ON THIS PLAN ARE CALCULATED AT GRADE LEVEL.

FIXTURE QUANTITIES

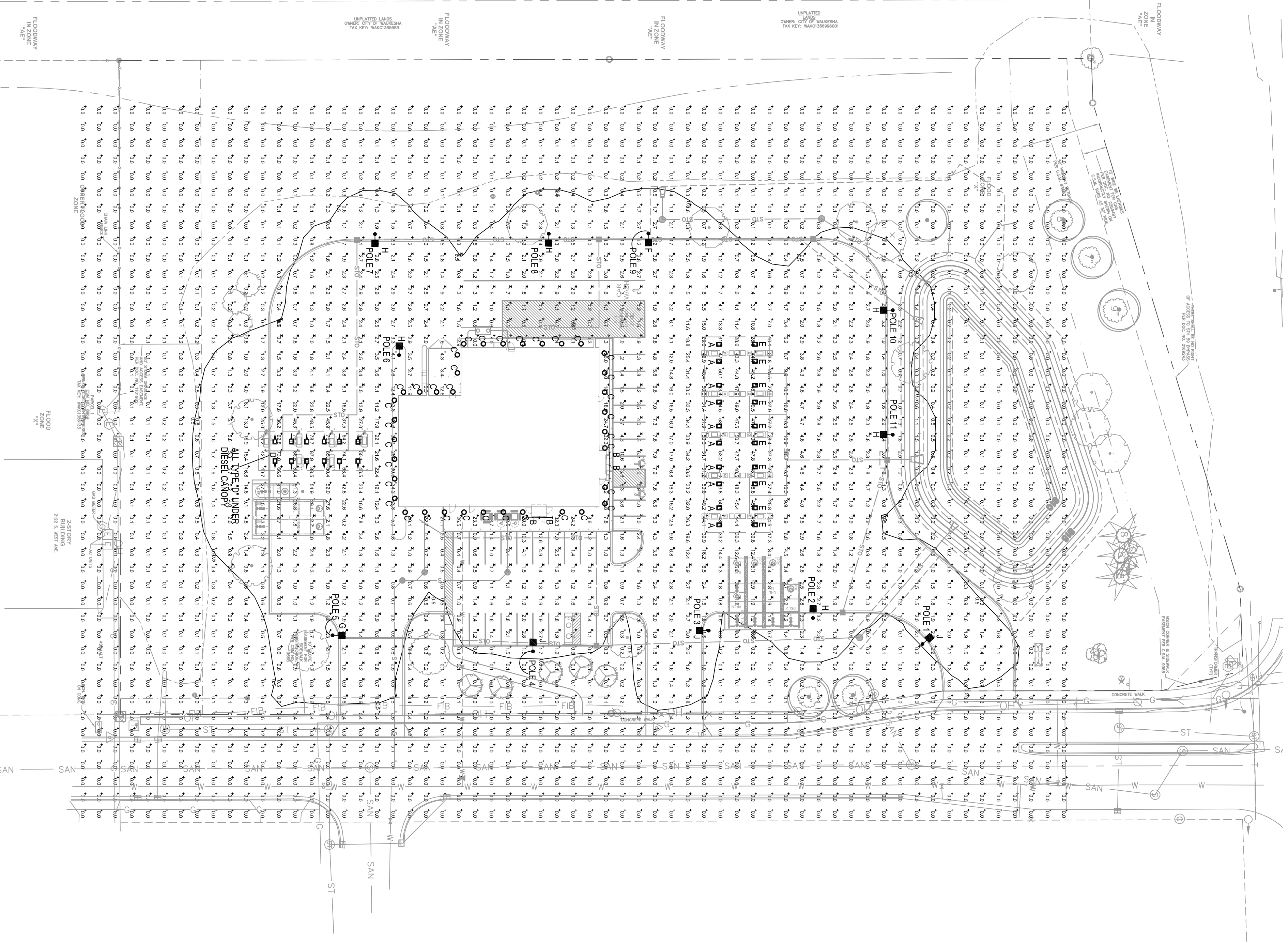
- A - 10
 - B - 10
 - C - 26
 - D - 12
 - E - 10
 - F - 1
 - G - 1
 - H - 1
 - I - 3
 - J - 3
- PROVIDE (11) 18' POLES

FIXTURE SYMBOLS:

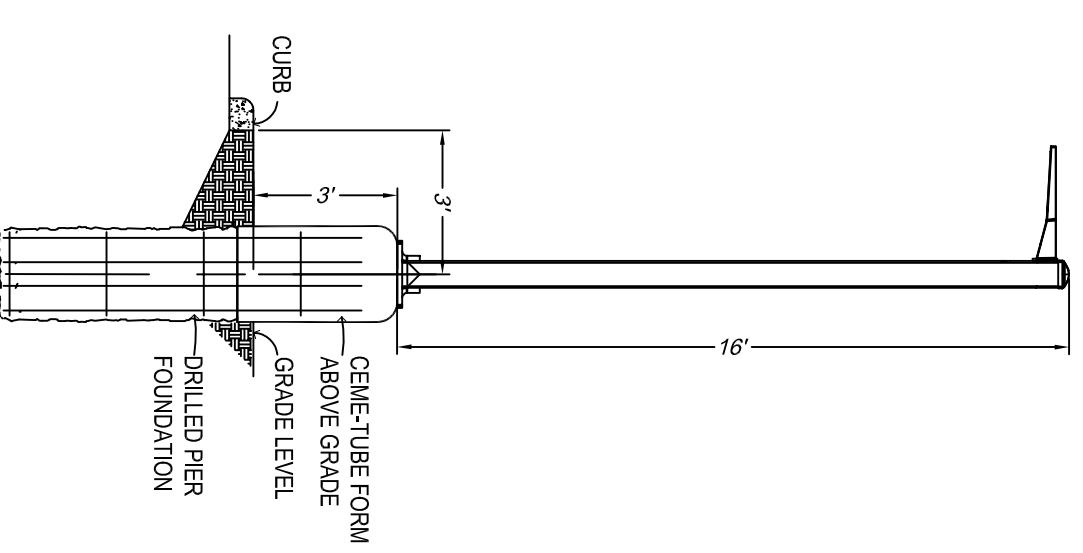
- A & B LED LIGHT MOUNTED UNDER RIEL CANOPIES
- B LED STRIP LIGHT MOUNTED IN GABLE
- C RECESSED LED DOWNLIGHT
- F POLE MOUNTED LED FIXTURE
- F, G, H & I

FIXTURE TYPES:

- A - IS LIGHTING: SCV-LED-29L-SCFT-DJW-QJM-4Q-4HT (COLOR TEMPERATURE IS 4000K) MOUNTED UNDER GAS CANOPY
- B - LED STRIP LIGHT MOUNTED IN GABLE
- C - RECESSED LED DOWNLIGHT
- D - IS LIGHTING: SCV-LED-29L-SCFT-DJW-QJM-4Q-4HT (COLOR TEMPERATURE IS 4000K) MOUNTED UNDER DIESEL CANOPY
- E - IS LIGHTING: SCV-LED-18L-SCJW-DJM-4Q-4HT (COLOR TEMPERATURE IS 4000K) MOUNTED UNDER GAS CANOPY
- F - IS LIGHTING: SIM-LED-9L-SIL-2JWV-4Q-7CR-4HT (COLOR TEMPERATURE IS 4000K)
- G - IS LIGHTING: SIM-LED-9L-SIL-9JWV-4Q-7CR-4HT (COLOR TEMPERATURE IS 4000K)
- H - IS LIGHTING: SIM-LED-9L-SIL-FTJWV-4Q-7CR-4HT (COLOR TEMPERATURE IS 4000K)
- J - IS LIGHTING: SIM-LED-9L-SIL-FTJWV-4Q-7CR-4HT (COLOR TEMPERATURE IS 4000K)



PHOTOMETRIC SITE PLAN
SCALE: 1" = 40'-0"



LOT LIGHT ELEVATION DETAIL
NOT TO SCALE

2026/01/03
GRUEF
275 West Wisconsin Avenue, Suite 300
Milwaukee, WI 53203
414.759.1500
414.759.0077 fax

Kwik TRIP
Kwik TRIP
Kwik TRIP

Kwik TRIP, Inc.
P.O. BOX 2107
1628 OAK STREET
LA CROSSE, WI 54602-2107
PH. (608) 781-8988
FAX (608) 781-8960

rasSmith
1624 W. Belmont Road
P.O. 7811009
rasmith.com
CALCULATED BY: RASMINH

PHOTOMETRIC SITE PLAN
CONVENIENCE STORE #970

2106 S. WEST AVENUE
WAUKESHA, WI

#	DATE	DESCRIPTION

DRAWN BY	AMM
SCALE	GRAPHIC
PROJ. NO.	3190485
DATE	2019-12-20
SHEET	E1