



RSX4 LED Area Luminaire

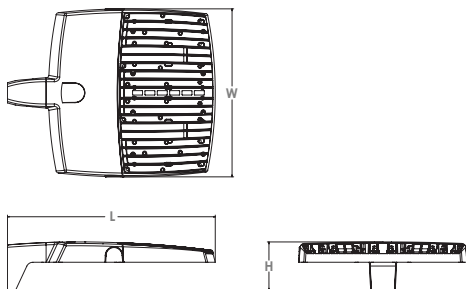


Catalog Number
Notes
Type

Hit the Tab key or mouse over the page to see all interactive elements.

Specifications

EPA (ft²@0°):	0.69 ft ² (0.07 m ²)
Length:	30.9" (78.5 cm) (SPA mount)
Width:	25.0" (63.5 cm)
Height:	3.0" (7.6 cm) Main Body 7.2" (18.4 cm) Arm
Weight (max):	65 lbs (29.5 kg)



Introduction

The new RSX LED Area family delivers maximum value by providing significant energy savings, long life and outstanding photometric performance at an affordable price. The RSX4 delivers 40,000 to 70,000 lumens allowing it to replace up to (2) 1000W HID luminaires.

The RSX features an integral universal mounting mechanism that allows the luminaire to be mounted on most existing drill hole patterns. This "no-drill" solution provides significant labor savings. An easy-access door on the bottom of mounting arm allows for wiring without opening the electrical compartment. A mast arm adaptor, adjustable integral slipfitter and other mounting configurations are available.

ds Design Select options indicated by this color background.



Items marked by a shaded background qualify for the Design Select program and ship in 15 days or less. To learn more about Design Select, visit www.acuitybrands.com/designselect. *See ordering tree for details

Ordering Information

EXAMPLE: RSX4 LED P6 40K R3 MVOLT SPA DDBXD

Series	Performance Package	Color Temperature	Distribution	Voltage	Mounting
RSX4 LED	P1 P2 P3 P4 P5 P6	30K 3000K 40K 4000K 50K 5000K	R2 Type 2 Wide R3 Type 3 Wide R3S Type 3 Short R4 Type 4 Wide R4S Type 4 Short R5 Type 5 Wide ¹ R5S Type 5 Short¹ AFR Automotive Front Row AFRR90 Automotive Front Row Right Rotated AFRL90 Automotive Front Row Left Rotated	MVOLT (120V-277V)² HVOLT (347V-480V) ³ XVOLT (277V-480V) ⁴ (use specific voltage for options as noted) 120 ³ 277 ⁵ 208 ³ 347 ⁵ 240 ³ 480 ⁵	SPA Square pole mounting (3.0" min. SQ pole for 1 at 90° and 2 at 180°) RPA Round pole mounting (3.0" min. dia. RND pole for 1 at 90°, 2 at 180°, 3 at 120°) ESPA Required for mounting RSX4 in 2,3,4 at 90°. Requires 3.5" min. square pole for mounting 2, 3, 4 at 90°. Requires 3.0" min. square pole for 1 at 90°. ⁵ ERPA Required for mounting RSX4 in 2,3,4 at 90°. Requires 3.2" min. dia. round pole for 2, 3, 4 at 90°. Requires 3.0" min. dia. round pole for mounting 1 at 90°, 2 at 180°, 3 at 120°. ⁵ MA Mast arm adaptor (fits 2-3/8" OD horizontal tenon) IS Adjustable slipfitter (fits 2-3/8" OD tenon) ⁷ WBA Wall bracket ¹ WBASC Wall bracket with surface conduit box AASP Adjustable tilt arm square pole mounting ⁷ AARP Adjustable tilt arm round pole mounting ⁷ AAWB Adjustable tilt arm with wall bracket ⁷ AAWSC Adjustable tilt arm wall bracket and surface conduit box ⁷

Options	Finish
<p>Shipped Installed</p> <p>HS House-side shield⁸</p> <p>PE Photocontrol, button style^{9,10}</p> <p>PER7 Seven-wire twist-lock receptacle only (no controls)^{10, 11, 12}</p> <p>SF Single fuse (120, 277, 347)⁵</p> <p>DF Double fuse (208, 240, 480)⁵</p> <p>SPD20KV 20KV Surge pack (10KV standard)</p> <p>FAO Field adjustable output¹⁰</p> <p>DMG 0-10V dimming extend out back of housing for external control (control ordered separate)¹⁰</p> <p>DS Dual switching^{10,13}</p>	<p>DDBXD Dark Bronze</p> <p>DBLXD Black</p> <p>DNAXD Natural Aluminum</p> <p>DWHXD White</p> <p>DBBTXD Textured Dark Bronze</p> <p>DBLTXD Textured Black</p> <p>DNATXD Textured Natural Aluminum</p> <p>DWHGXD Textured White</p>
<p>Shipped Installed</p> <p>*Standalone and Networked Sensors/Controls (factory default settings, see table page 9)</p> <p>NLTAIR2 PIRHN nLight AIR generation 2, with Networked Bi-Level motion/ambient sensor^{10, 14, 15, 16}</p> <p>BAA Buy America(n) Act Compliant</p> <p>CCE Coastal Construction¹⁷</p> <p>*Note: NLTAIR2 PIRHN with nLight Air can be used as a standalone dimming sensor with out-of-box settings or as a wireless networked solution. See factory default settings table. Sensor coverage pattern is affected when luminaire is tilted.</p> <p>Shipped Separately (requires some field assembly)</p> <p>EGS External glare shield⁸</p> <p>EGFV External glare full visor (360° around light aperture)⁸</p> <p>BS Bird spikes¹⁸</p>	



Ordering Information

Accessories

Ordered and shipped separately.

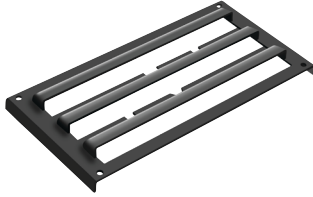
RSX4HS U	RSX4 House side shield (includes 4 shields)
RSX4HSAFRR U	RSX4 House side shields for AFR rotated optics (includes 4 shields)
RSX4EGS (FINISH) U	External glare shield (specify finish)
RSX4EGFV (FINISH) U	External glare full visor (specify finish)
RSXRPA (FINISH) U	RSX Universal round pole adaptor plate (specify finish)
RSXWBA (FINISH) U	RSX WBA wall bracket (specify finish) ¹
RSXSCB (FINISH) U	RSX Surface conduit box (specify finish, for use with WBA, WBA not included)
DLL127F 1.5 JU	Photocell -SSL twist-lock (120-277V) ¹⁹
DLL347F 1.5 CULJU	Photocell -SSL twist-lock (347V) ¹⁹
DLL480F 1.5 CULJU	Photocell -SSL twist-lock (480V) ¹⁹
DSHORT SBK U	Shorting cap ¹⁹

NOTES

- Any Type 5 distribution, is not available with WBA.
- MVOLT driver operates on any line voltage from 120-277V (50/60 Hz).
- HVOLT driver operates on any line voltage from 347-480V (50/60 Hz).
- XVOLT driver operates on any line voltage from 277V-480V (50/60 Hz). XVOLT not available with fusing (SF or DF) and not available with PE or PEX.
- Single fuse (SF) requires 120V, 277V or 347V. Double fuse (DF) requires 208V, 240V or 480V.
- Required for mounting RSX4 in configurations of 2, 3 and 4 at 90°
- Maximum tilt is 90° above horizontal.
- It can be ordered as an accessory.
- Requires MVOLT or 347V.
- Two or more of the following options cannot be combined including PE, DMG, PER7, FAO, DS and NLTAIR2 PIRHN. (Exception: PE and FAO can be combined; also PE and DMG can be combined.)
- Compatible with standard twist-lock photocells for dusk to dawn operation or advanced control nodes that provide 0-10V dimming

- Wire 4/Wire 5 wired to dimming leads on driver. Wire 6/Wire 7 capped inside luminaire. Twistlock photocell ordered and shipped as a separate line item from Acuity Brands Controls. See accessories. Shorting Cap included.
- For units with option PER7, the mounting must be restricted to +/- 45° from horizontal aim per ANSI C136.10-2010.
- DS requires (2) separately switched circuits. DS provides 50/50 fixture operation via (2) different sets of leads using (2) drivers/sets. DS only available with packages P4, P5, P6, P7 and P8.
- Must be ordered with PIRHN.
- Must be ordered with NLTAIR2. For additional information on PIRHN visit [here](#).
- Requires MVOLT or HVOLT.
- CCE option not available with WBA, WBASC, AASP, AARP, AAWB, AAWBC, EGS, EGFV and BS.
- Must be ordered with fixture for factory pre-drilling.
- Requires luminaire to be specified with PER7 option. Ordered and shipped as a separate line item from Acuity Brands Controls.

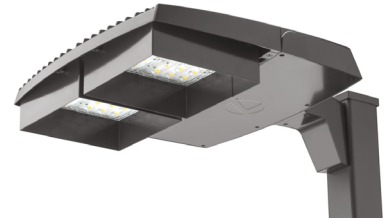
External Shields



House Side Shield (HS)



External Glare Shield (EGS)

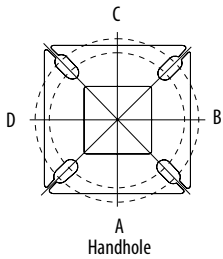


External 360 Full Visor (EGFV)

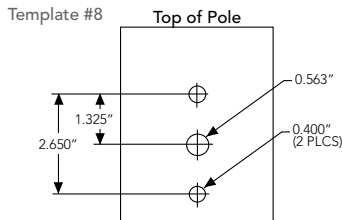
Pole/Mounting Information

Accessories including bullhorns, cross arms and other adapters are available on pages 5-8. For the complete line of accessories available, visit the accessories tab at Lithonia's Outdoor Poles and Arms product page. Click here to visit [Accessories](#).

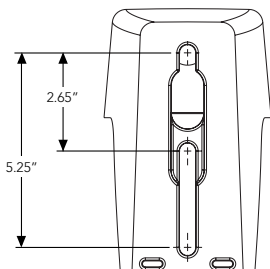
HANDHOLE ORIENTATION



RSX POLE DRILLING



RSX STANDARD ARM, EXTENDED ARM AND ADJUSTABLE ARM



Round Tenon Mount - Pole Top Slipfitters

Tenon O.D.	RSX Mounting	Single	2 @ 180	2 @ 90	3 @ 120	3 @ 90	4 @ 90
2 - 3/8"	RPA, ERPA, AARP	AS3-5 190	AS3-5 280	AS3-5 290	AS3-5 320	AS3-5 390	AS3-5 490
2 - 7/8"	RPA, ERPA, AARP	AST25-190	AST25-280	AST25-290	AST25-320	AST25-390	AST25-490
4"	RPA, ERPA, AARP	AST35-190	AST35-280	AST35-290	AST35-320	AST35-390	AST35-490

Drill Side Location by Configuration Type

Drilling Template	Mounting Option	Single	2 @ 180	2 @ 90	3 @ 120	3 @ 90	4 @ 90
	Head Location	Side B	Side B & D	Side B & C	Round Pole Only	Side B, C & D	Side A, B, C & D
#8	Drill Nomenclature	DM19AS	DM28AS	DM29AS	DM32AS	DM39AS	DM49AS

RSX4 - Luminaire EPA

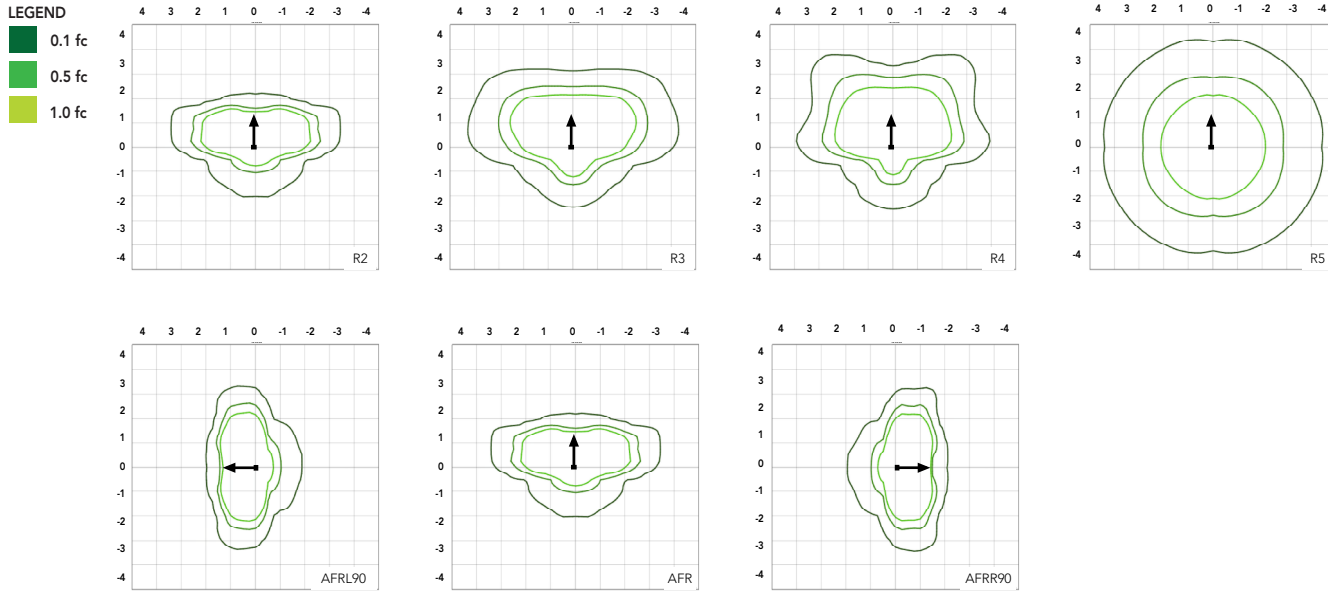
*Includes luminaire and integral mounting arm. Other tenons, arms, brackets or other accessories are not included in this EPA data.

Fixture Quantity & Mounting Configuration	Single	2 @ 90	2 @ 180	3 @ 90	3 @ 120	4 @ 90	2 Side by Side	3 Side by Side	4 Side by Side
SPA - Square Pole Adaptor	0.69	1.34	1.36	1.80	2.00	2.66	1.39	2.08	2.78
RPA - Round Pole Adaptor	0.72	1.39	1.47	1.88	2.09	2.77	1.44	2.16	2.87
MA - Mast Arm Adaptor	0.66	1.28	1.20	1.69	1.87	2.51	1.32	1.98	2.64
ESPA/ERPA - Extended Arm Square/Round Pole	0.74	1.44	1.57	1.96	2.18	2.88	1.48	2.23	2.97
IS - Integral Slipfitter AARP/AASP - Adjustable Arm Square/Round Pole	0°	0.69	1.34	1.36	1.80	2.00	2.66	1.39	2.08
	10°	1.13	2.05	2.22	3.10	2.91	4.01	2.26	3.39
	20°	1.91	3.14	3.57	4.84	4.26	6.23	3.82	5.73
	30°	3.23	4.70	5.70	7.25	6.52	9.31	6.46	9.69
	40°	4.71	6.04	7.96	9.37	9.04	12.04	9.42	14.13
	45°	5.46	6.72	9.10	10.47	10.31	13.40	10.92	16.38
	50°	5.58	7.29	9.51	11.46	10.93	14.56	11.16	16.74
	60°	5.81	8.50	10.35	13.44	12.41	16.89	11.62	17.43
	70°	6.13	9.29	10.98	14.92	13.50	18.57	12.26	18.39
	80°	6.28	9.88	11.47	15.86	14.22	19.72	12.56	18.84
90°	6.43	10.17	11.78	16.26	14.56	20.33	12.86	19.29	

Photometric Diagrams

To see complete photometric reports or download .ies files for this product, visit Lithonia Lighting's [RSX Area homepage](#).

Isofootcandle plots for the RSX4 LED P6 40K. Distances are in units of mounting height (40').



Performance Data

Lumen Ambient Temperature (LAT) Multipliers

Use these factors to determine relative lumen output for average ambient temperatures from 0-50°C (32-122°F).

Ambient	Ambient	Lumen Multiplier
0°C	32°F	1.05
5°C	41°F	1.04
10°C	50°F	1.03
15°C	59°F	1.02
20°C	68°F	1.01
25°C	77°F	1.00
30°C	86°F	0.99
35°C	95°F	0.98
40°C	104°F	0.97
45°C	113°F	0.96
50°C	122°F	0.95

Electrical Load

Performance Package	System Watts (W)	Current (A)					
		120V	208V	240V	277V	347V	480V
P1	275W	2.34	1.38	1.22	1.08	0.83	0.62
P2	320W	2.60	1.56	1.37	1.22	0.97	0.71
P3	369W	3.08	1.79	1.57	1.39	1.09	0.80
P4	431W	3.61	2.11	1.88	1.76	1.24	0.90
P5	483W	3.97	2.28	1.99	1.74	1.36	0.98
P6	546W	4.48	2.55	2.21	1.93	1.54	1.12

Projected LED Lumen Maintenance

Operating Hours	50,000	75,000	100,000
Lumen Maintenance Factor	>0.97	>0.95	>0.92

Values calculated according to IESNA TM-21-11 methodology and valid up to 40°C.

Performance Data

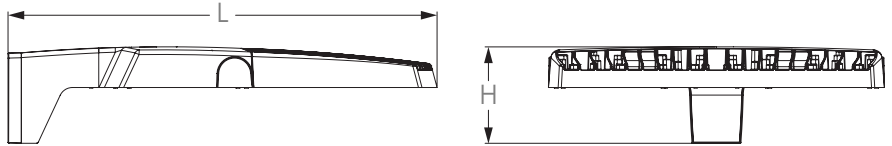
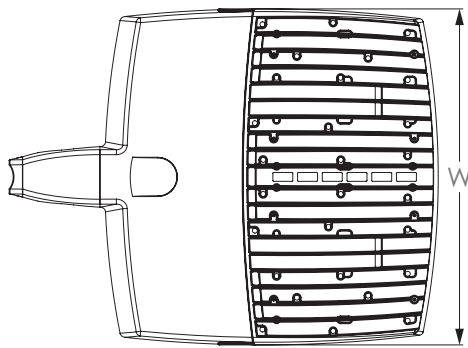
Lumen Output

Lumen values are from photometric tests performed in accordance with IESNA LM-79-08. Data is considered to be representative of the configurations shown, within the tolerances allowed by Lighting Facts. Contact factory for performance data on any configurations not shown here.

Performance Package	System Watts	Distribution Type	30K (3000K, 70 CRI)					40K (4000K, 70 CRI)					50K (5000K, 70 CRI)				
			Lumens	B	U	G	LPW	Lumens	B	U	G	LPW	Lumens	B	U	G	LPW
P1	275W	R2	36,231	3	0	3	132	39,806	3	0	3	145	39,806	3	0	3	145
		R3	36,151	3	0	5	131	39,719	3	0	5	144	39,719	3	0	5	144
		R3S	37,066	3	0	4	135	40,724	3	0	4	148	40,724	3	0	4	148
		R4	36,656	3	0	5	133	40,274	3	0	5	146	40,274	3	0	5	146
		R4S	35,409	3	0	4	129	38,903	3	0	4	141	38,903	3	0	4	141
		R5	36,955	5	0	4	134	40,602	5	0	5	148	40,602	5	0	5	148
		R5S	37,144	5	0	3	135	40,809	5	0	3	148	40,809	5	0	3	148
		AFR	36,231	3	0	3	132	39,806	3	0	3	145	39,806	3	0	3	145
		AFRR90	36,818	3	0	3	134	40,451	3	0	3	147	40,451	3	0	3	147
		AFRL90	37,146	3	0	3	135	40,812	3	0	3	148	40,812	3	0	3	148
P2	320W	R2	41,215	3	0	3	129	45,282	4	0	3	141	45,282	4	0	3	141
		R3	41,125	3	0	5	128	45,183	4	0	5	141	45,183	4	0	5	141
		R3S	42,165	3	0	4	132	46,327	4	0	4	145	46,327	4	0	4	145
		R4	41,699	3	0	5	130	45,814	4	0	5	143	45,814	4	0	5	143
		R4S	40,280	3	0	4	126	44,255	4	0	4	138	44,255	4	0	4	138
		R5	42,039	5	0	5	131	46,188	5	0	5	144	46,188	5	0	5	144
		R5S	42,253	5	0	3	132	46,423	5	0	4	145	46,423	5	0	4	145
		AFR	41,215	3	0	3	129	45,282	4	0	3	141	45,282	4	0	3	141
		AFRR90	41,883	3	0	3	131	46,016	4	0	3	144	46,016	4	0	3	144
		AFRL90	42,256	3	0	3	132	46,426	4	0	3	145	46,426	4	0	3	145
P3	369W	R2	45,968	4	0	3	124	50,504	4	0	3	137	50,504	4	0	3	137
		R3	45,867	4	0	5	124	50,393	4	0	5	136	50,393	4	0	5	136
		R3S	47,028	4	0	5	127	51,669	4	0	5	140	51,669	4	0	5	140
		R4	46,508	4	0	5	126	51,097	4	0	5	138	51,097	4	0	5	138
		R4S	44,925	4	0	4	122	49,358	4	0	4	134	49,358	4	0	4	134
		R5	46,887	5	0	5	127	51,514	5	0	5	139	51,514	5	0	5	139
		R5S	47,126	5	0	4	128	51,777	5	0	4	140	51,777	5	0	4	140
		AFR	45,968	4	0	3	124	50,504	4	0	3	137	50,504	4	0	3	137
		AFRR90	46,713	4	0	3	126	51,323	4	0	3	139	51,323	4	0	3	139
		AFRL90	47,129	4	0	3	128	51,780	4	0	3	140	51,780	4	0	3	140
P4	431W	R2	50,558	4	0	3	117	55,547	4	0	4	129	55,547	4	0	4	129
		R3	50,447	4	0	5	117	55,426	4	0	5	129	55,426	4	0	5	129
		R3S	51,724	4	0	5	120	56,829	4	0	5	132	56,829	4	0	5	132
		R4	51,152	4	0	5	119	56,200	4	0	5	131	56,200	4	0	5	131
		R4S	49,411	4	0	4	115	54,287	4	0	5	126	54,287	4	0	5	126
		R5	51,569	5	0	5	120	56,658	5	0	5	132	56,658	5	0	5	132
		R5S	51,832	5	0	4	120	56,947	5	0	4	132	56,947	5	0	4	132
		AFR	50,558	4	0	3	117	55,547	4	0	4	129	55,547	4	0	4	129
		AFRR90	51,378	4	0	3	119	56,448	4	0	4	131	56,448	4	0	4	131
		AFRL90	51,836	4	0	3	120	56,951	4	0	4	132	56,951	4	0	4	132
P5	483W	R2	56,313	4	0	4	116	61,870	4	0	4	128	61,870	4	0	4	128
		R3	56,190	4	0	5	116	61,735	4	0	5	128	61,735	4	0	5	128
		R3S	57,612	4	0	5	119	63,297	4	0	5	131	63,297	4	0	5	131
		R4	56,974	4	0	5	118	62,597	4	0	5	129	62,597	4	0	5	129
		R4S	55,035	4	0	5	114	60,467	4	0	5	125	60,467	4	0	5	125
		R5	57,439	5	0	5	119	63,107	5	0	5	131	63,107	5	0	5	131
		R5S	57,732	5	0	4	119	63,429	5	0	4	131	63,429	5	0	4	131
		AFR	56,313	4	0	4	116	61,870	4	0	4	128	61,870	4	0	4	128
		AFRR90	57,226	4	0	4	118	62,873	4	0	4	130	62,873	4	0	4	130
		AFRL90	57,736	4	0	4	119	63,433	4	0	4	131	63,433	4	0	4	131
P6	546W	R2	62,633	4	0	4	115	68,814	4	0	4	126	68,814	4	0	4	126
		R3	62,496	4	0	5	115	68,664	4	0	5	126	68,664	4	0	5	126
		R3S	64,078	4	0	5	117	70,402	4	0	5	129	70,402	4	0	5	129
		R4	63,369	4	0	5	116	69,623	4	0	5	128	69,623	4	0	5	128
		R4S	61,213	4	0	5	112	67,254	4	0	5	123	67,254	4	0	5	123
		R5	63,886	5	0	5	117	70,191	5	0	5	129	70,191	5	0	5	129
		R5S	64,212	5	0	4	118	70,549	5	0	4	129	70,549	5	0	4	129
		AFR	62,633	4	0	4	115	68,814	4	0	4	126	68,814	4	0	4	126
		AFRR90	63,649	4	0	4	117	69,930	4	0	4	128	69,930	4	0	4	128
		AFRL90	64,216	4	0	4	118	70,553	4	0	4	129	70,553	4	0	4	129

Dimensions

RSX4 with Round Pole Adapter (RPA)

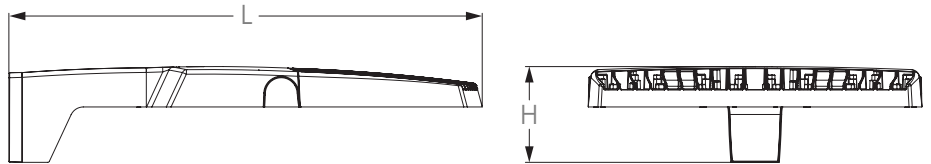
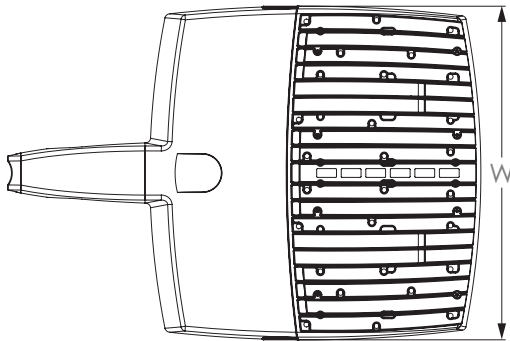


NOTE:
RPA - Round Pole mount can also be used to mount on square poles by omitting the round pole adapter plate shown here.



Length: 31.9" (81.0 cm)
Width: 25.0" (63.5 cm)
Height: 3.0" (7.6 cm) Main Body
7.2" (18.3 cm) Arm

RSX4 with Extended Arm Square or Round Pole (ESPA or ERPA)



NOTE:
RPA - Round Pole mount can also be used to mount on square poles by omitting the round pole adapter plate shown here.



Length: 35.5" (90.2 cm) **ERPA**
34.5" (87.6 cm) **ESPA**
Width: 25.0" (63.5 cm)
Height: 3.0" (7.6 cm) Main Body
7.2" (18.3 cm) Arm

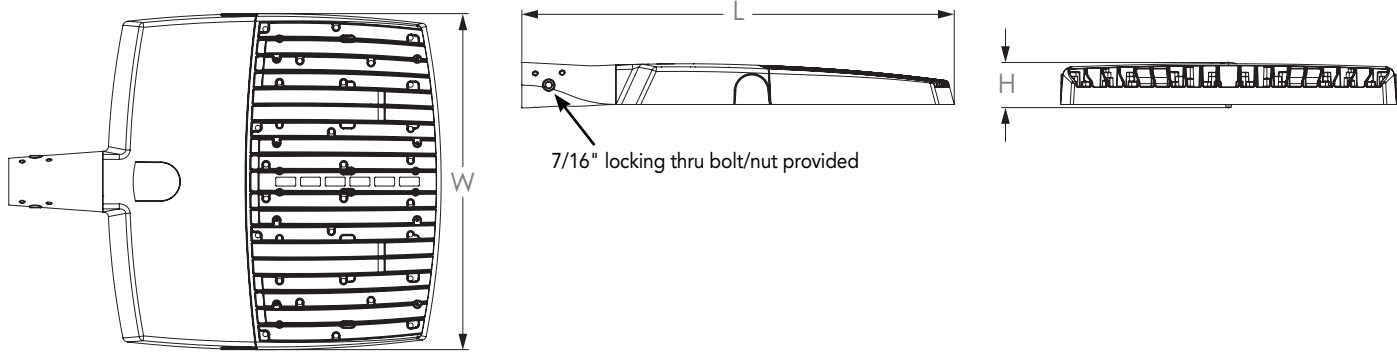
Notes

ESPA: Required for mounting RSX4 in 2,3,4 at 90°. Requires 3.0" min. square pole for 1 at 90°.

ERPA: Required for mounting RSX4 in 2,3,4 at 90°. Requires 3.0" min. dia. round pole for mounting 1 at 90°, 2 at 180°, 3 at 120°.

Dimensions

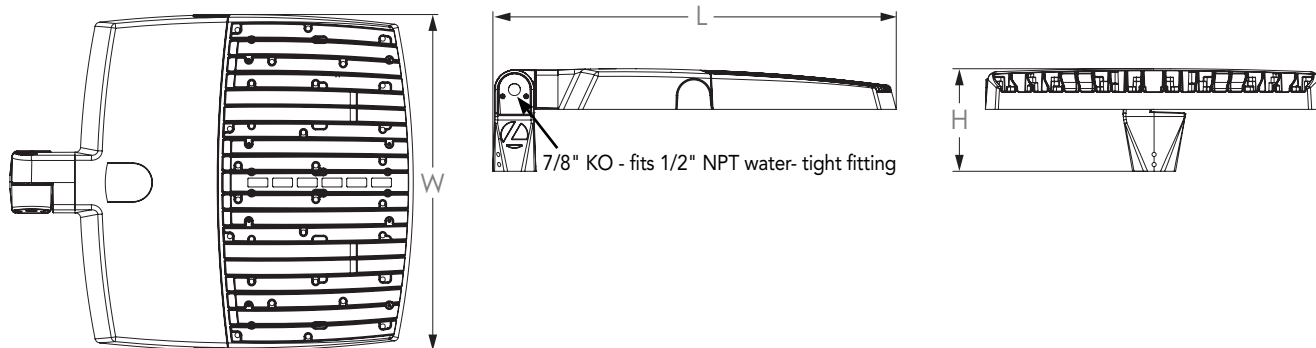
RSX4 with Mast Arm Adapter (MA)



Length: 32.2" (81.8 cm)
 Width: 25.0" (63.5 cm)
 Height: 3.0" (7.6 cm) Main Body
 3.4" (18.6 cm) Arm

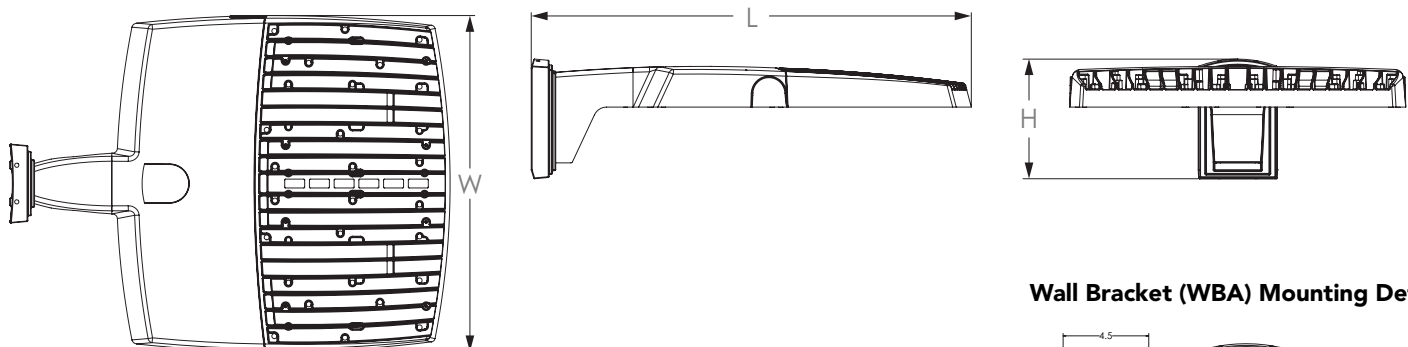
Notes: MA mount requires minimum horizontal tenon length of 6" when mounting RSX4 in configurations of 2, 3 and 4 at 90°.

RSX4 with Adjustable Slipfitter (IS)



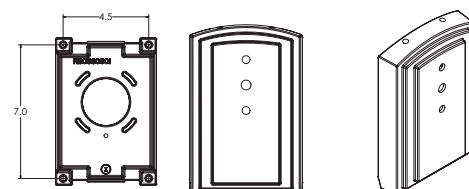
Length: 30.0" (76.2 cm)
 Width: 25.0" (63.5 cm)
 Height: 3.0" (7.6 cm) Main Body
 7.6" (19.3 cm) Arm

RSX4 with Wall Bracket (WBA)



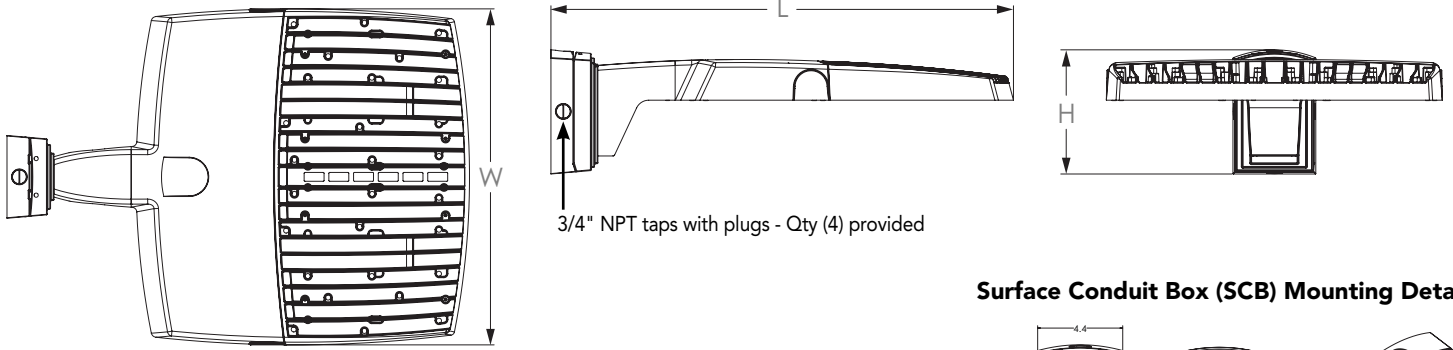
Length: 32.7" (83.1 cm)
 Width: 25.0" (63.5 cm)
 Height: 3.0" (7.6 cm) Main Body
 8.9" (22.6 cm) Arm

Wall Bracket (WBA) Mounting Detail



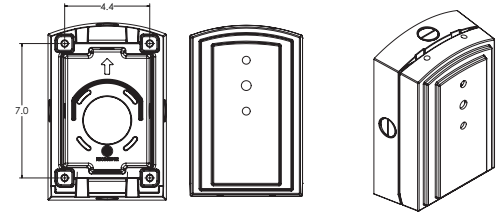
Dimensions

RSX4 with Wall Bracket with Surface Conduit Box (WBASC)

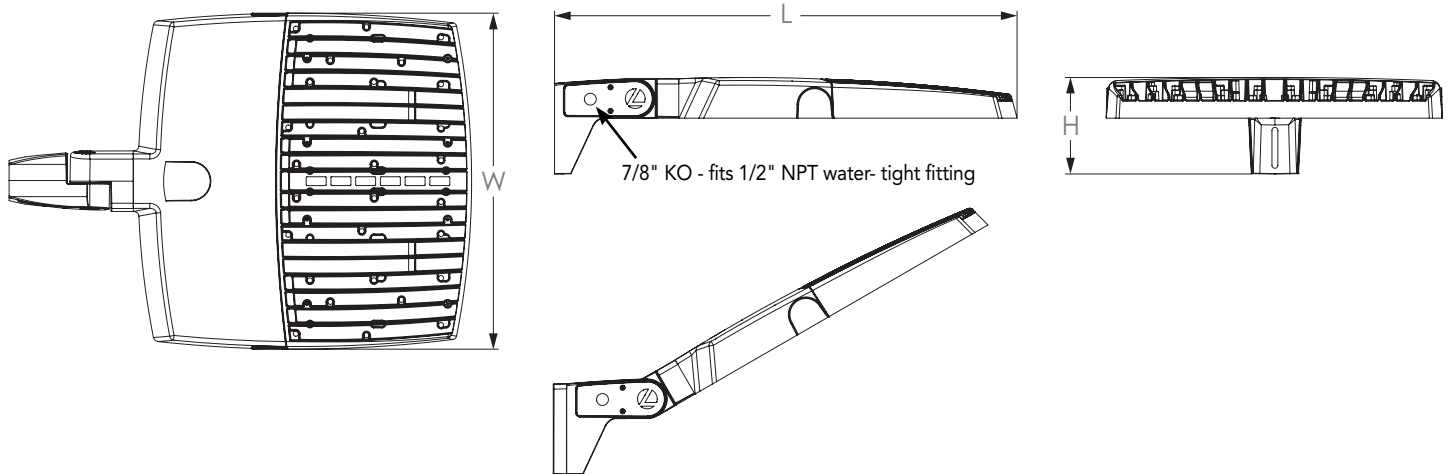


Length: 34.4" (87.4 cm)
 Width: 25.0" (63.5 cm)
 Height: 3.0" (7.6 cm) Main Body
 9.2" (23.4 cm) Arm

Surface Conduit Box (SCB) Mounting Detail



RSX4 with Adjustable Tilt Arm - Square or Round Pole (AASP or AARP)



Length: 34.4" (87.4 cm) **AASP**
 35.4" (89.9 cm) **AARP**
 Width: 25.0" (63.5 cm)
 Height: 3.0" (7.6 cm) Main Body
 7.2" (18.3 cm) Arm

NOTE:
 RPA - Round Pole mount can also be used to mount on square poles by omitting the round pole adapter plate shown here.



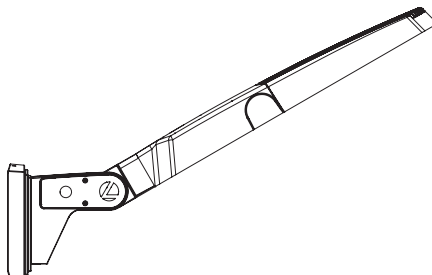
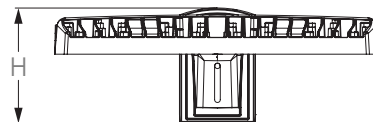
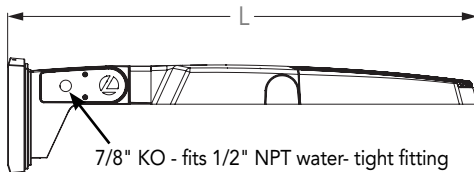
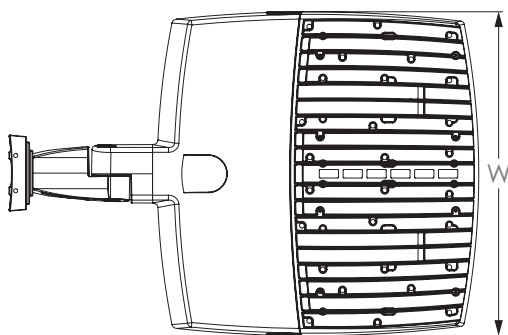
Notes

AASP: Requires 3.0" min. square pole for 1 at 90°. (Note: Limited to 30° maximum tilt angle for qty. 2, 3 and 4 at 90° pole top configurations)

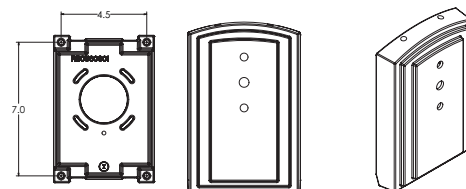
AARP: Requires 3.0" min. dia. round pole for mounting 1 at 90°, 2 at 180°, 3 at 120°. (Note: Limited to 30° maximum tilt angle for qty. 2, 3 and 4 at 90° pole top configurations)

Dimensions

RSX4 with Adjustable Tilt Arm with Wall Bracket (AAWB)

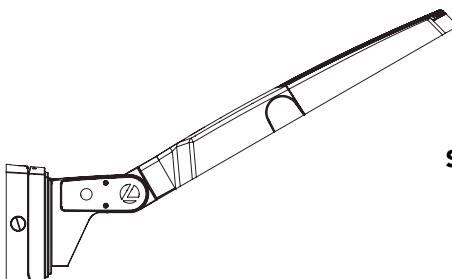
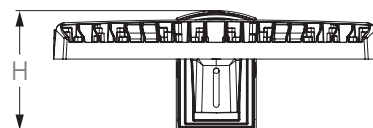
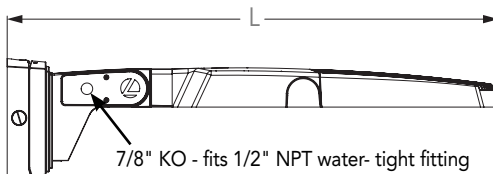
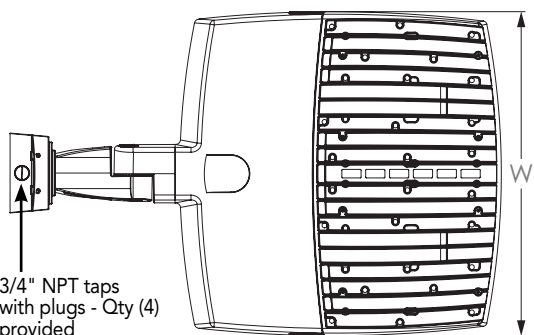


Wall Bracket (WBA) Mounting Detail

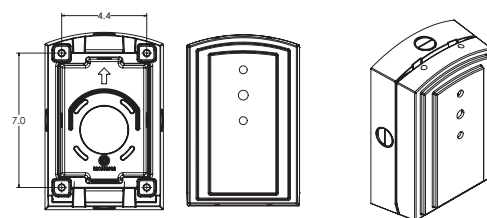


Length: 36.2" (91.9 cm)
 Width: 25.0" (63.5 cm)
 Height: 3.0" (7.6 cm) Main Body
 8.9" (22.6 cm) Arm

RSX4 with Adjustable Tilt Arm with Wall Bracket and Surface Conduit Box (AAWSC)

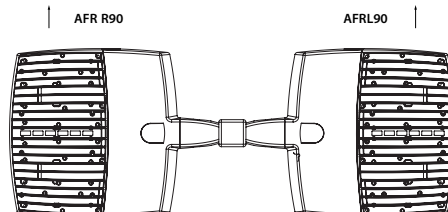


Surface Conduit Box (SCB) Mounting Detail

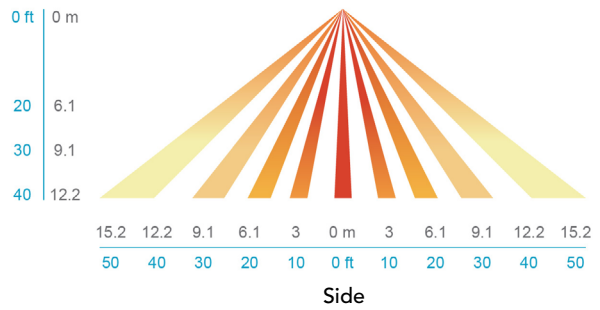
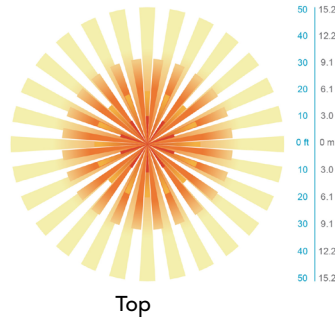
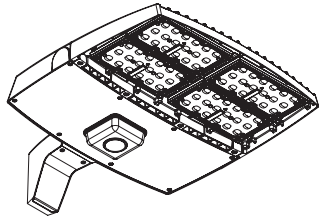


Length: 37.9" (96.3 cm)
 Width: 25.0" (63.5 cm)
 Height: 3.0" (7.6 cm) Main Body
 9.2" (23.4 cm) Arm

Automotive Front Row - Rotated Optics (AFR L90/R90)



PIRHN nLight Sensor Coverage Pattern



Motion Sensor Default Settings - Option PIRHN						
Option	Dimmed State (unoccupied)	High Level (when occupied)	Photocell Operation	Dwell Time (occupancy time delay)	Ramp-up Time (from unoccupied to occupied)	Ramp-down Time (from occupied to unoccupied)
PIRHN	Approx. 30% Output	100% Output	Enabled @ 1.5FC	7.5 minutes	3 seconds	5 minutes

*Note: PIRHN default settings including photocell set-point, high/low dim rates, and occupancy sensor time delay are all configurable using the Clarity Pro App.

FEATURES & SPECIFICATIONS

INTENDED USE

The RSX LED area family is designed to provide a long-lasting, energy-efficient solution for the one-for-one replacement of existing metal halide or high pressure sodium lighting. The RSX4 delivers 40,000 to 70,000 lumens and is ideal for replacing 1000W and (2) 1000W HID pole-mounted luminaires in parking lots and other area lighting applications.

CONSTRUCTION

The RSX LED area luminaire features a rugged die-cast aluminum main body that uses heat-dissipating fins and flow-through venting to provide optimal thermal management that both enhances LED performance and extends component life. Integral "no drill" mounting arm allows the luminaire to be mounted on existing pole drillings, greatly reducing installation labor. The light engines and housing are sealed against moisture and environmental contaminants to IP66. The low-profile design results in a low EPA, allowing pole optimization. Vibration rated per ANSI C136.31: 3G Mountings: SPA, RPA, MA, IS, AASP, AARP, ESPA and ERPA rated for 3G vibration. 1.5G Mountings: WBA, WBASC, AAWB and AAWSC rated for 1.5G vibration.

FINISH

Exterior parts are protected by a zinc-infused Super Durable TGIC thermoset powder coat finish that provides superior resistance to corrosion and weathering. A tightly controlled multi-stage process ensures superior adhesion as well as a minimum finish thickness of 3 mils. The result is a high-quality finish that is warrantied not to crack or peel.

COASTAL CONSTRUCTION (CCE)

Optional corrosion resistant construction is engineered with added corrosion protection in materials and/or pre-treatment of base material under super durable paint. Provides additional corrosion protection for applications near coastal areas. Finish is salt spray tested to over 5,000 hours per ASTM B117 with scribe rating of 10. Additional lead-times apply.

OPTICS

Precision acrylic refractive lenses are engineered for superior application efficiency, distributing the light to where it is needed most. Available in short and wide pattern distributions including Type 2, Type 3, Type 3S, Type 4, Type 4S, Type 5, Type 5S, AFR (Automotive Front Row) and AFR rotated AFR90 and ARFL90.

ELECTRICAL

Light engine(s) configurations consist of high-efficacy LEDs mounted on metal-core circuit boards and aluminum heat sinks to maximize heat dissipation. Light engines are IP66 rated. LED lumen maintenance is >L92/100,000 hours. CCT's of 3000K, 4000K and 5000K (minimum 70 CRI) are available. Fixtures ship standard with 0-10v dimming driver. Class 1 electronic drivers ensure system power factor >90% and THD <20%. Easily serviceable 10kV surge protection device meets a minimum Category C Low operation (per ANSI/IEEE C62.41.2).

STANDARD CONTROLS

The RSX LED area luminaire has a wide assortment of control options. Dusk to dawn controls include MVOLT and 347V button-type photocells and NEMA twist-lock photocell receptacles.

nLIGHT AIR CONTROLS

The RSX LED area luminaire is also available with nLight® AIR which can be used for simple motion occupancy dimming or for the ultimate in wireless control. This powerful controls platform provides out-of-the-box basic motion sensing with photocontrol functionality and is suitable for mounting heights up to 40 feet. No commissioning is required when using factory default settings that provide basic stand-alone motion occupancy dimming that is switched on and off with a built-in photocell. See chart above for motion sensor default out-of-box settings. For more advanced wireless functionality, such as group dimming, nLight AIR can be commissioned using a smartphone and the easy-to-use CLAIRITY app. nLight AIR equipped luminaires can be grouped, resulting in motion sensor and photocell group response without the need for additional equipment. Scheduled dimming with motion sensor over-ride can be achieved when used with the nLight Eclipse. Additional information about nLight Air can be found [here](#).

INSTALLATION

Integral "no-drill" mounting arm allows for fast, easy mounting using existing pole drillings. Select the "SPA" option for square poles and the "RPA" option to mount to round poles. Note that the RPA mount can also be used for mounting to square poles by omitting the RPA adapter plate. Select the "MA" option to attach the luminaire to a 2.3/8" horizontal mast arm or the "IS" option for an adjustable slipfitter that mounts on a 2 3/8" OD tenon. The adjustable slipfitter has an integral junction box offering easy installation. Can be tilted up to 90° above horizontal. Additional mountings are available including a wall bracket, adjustable tilt arm for direct-to-pole and wall and a surface conduit box for wall mount applications.

LISTINGS

CSA Certified to meet U.S. and Canadian standards. Suitable for wet locations. Rated for -40°C minimum ambient. DesignLights Consortium® (DLC) Premium qualified product and DLC qualified product. Not all versions of this product may be DLC Premium qualified or DLC qualified. Please check the DLC Qualified Products List at www.designlights.org/QPL to confirm which versions are qualified. International Dark-Sky Association (IDA) Fixture Seal of Approval (FSA) is available for all products on this page utilizing 3000K color temperature only. U.S Patent No. D882,146S and U.S Patent No. 11,085,619 B2

BUY AMERICAN ACT

Product with the BAA option is assembled in the USA and meets the Buy America(n) government procurement requirements under FAR, DFARS and DOT regulations. Please refer to www.acuitybrands.com/buy-american for additional information.

WARRANTY

5-year limited warranty. This is the only warranty provided and no other statements in this specification sheet create any warranty of any kind. All other express and implied warranties are disclaimed. Complete warranty terms located at: www.acuitybrands.com/support/warranty/terms-and-conditions

Note: Actual performance may differ as a result of end-user environment and application. All values are design or typical values, measured under laboratory conditions at 25 °C. Specifications subject to change without notice.