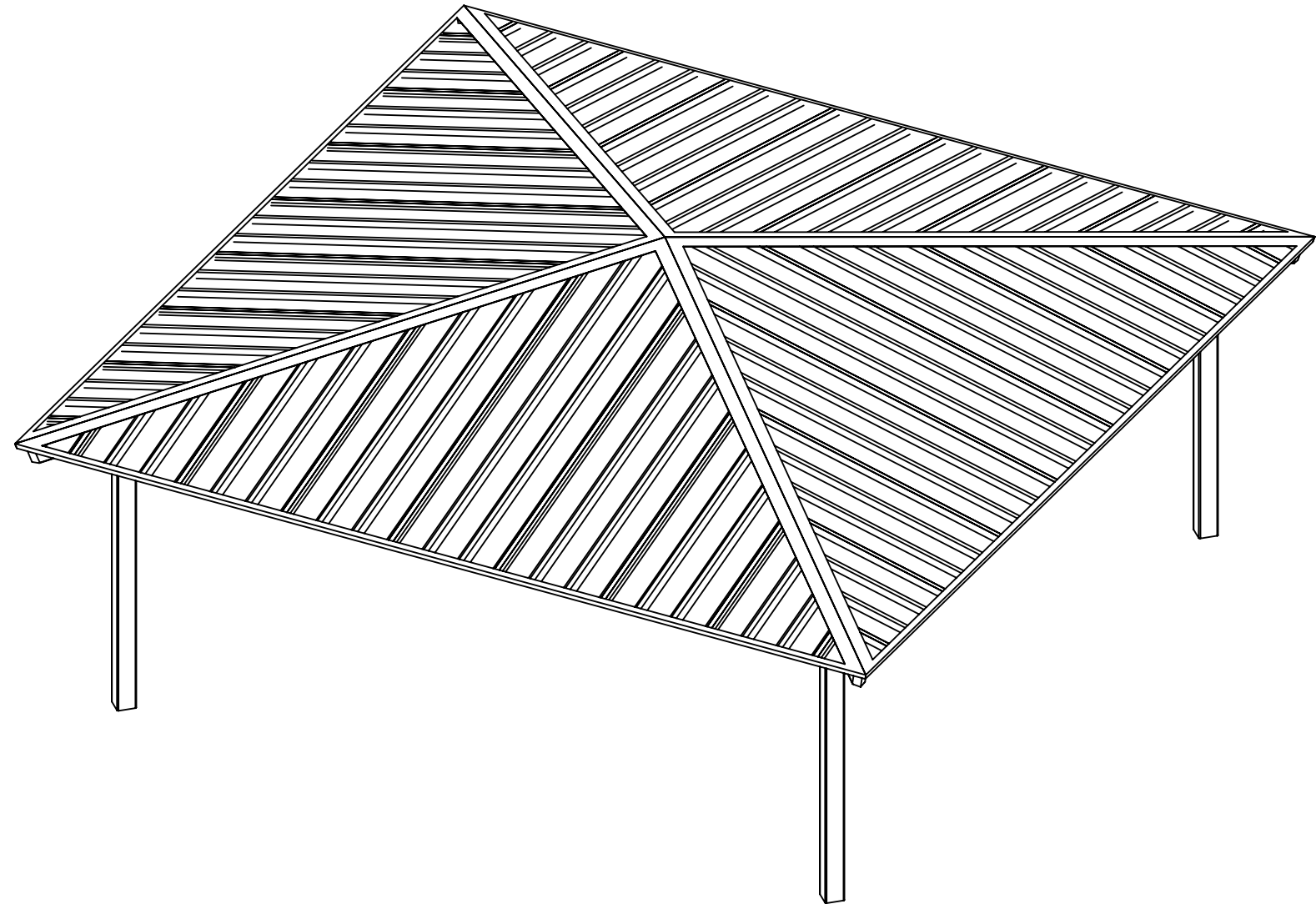




PROJECT: POCKET PARK
 LOCATION: WAUKESHA, WI
 BUILDING TYPE: SQR 24
 ROOF TYPE: MULTI-RIB
 BUILDING NUMBER: P14863
 ORDER NUMBER: 73241
 QUOTE NUMBER: 161563

DRAWING LIST:

SHEET NUMBER	DRAWING DESCRIPTION
CS	COVER SHEET
1	ARCHITECTURAL ELEVATIONS
2	STRUCTURAL FRAMING PLAN
3	COLUMN LAYOUT



CERTIFICATES:
 MIAMI-DADE COUNTY CERTIFICATE OF COMPETENCY NO. 21-0819.13
 PCI (POWDER COATING INSTITUTE) 4000 CERTIFIED

FABRICATOR APPROVALS:
 CITY OF PHOENIX, AZ APPROVED FABRICATOR #C08-2010
 CITY OF LOS ANGELES, CA APPROVED FABRICATOR #FB01596
 CITY OF RIVERSIDE, CA APPROVED FABRICATOR #SF_000042
 CITY OF HOUSTON, TX APPROVED FABRICATOR #470
 CLARK COUNTY, NV APPROVED FABRICATOR #264
 STATE OF UTAH APPROVED FABRICATOR 02008-14
 AISC APPROVED FABRICATOR C-00018751

MATERIALS:	DESCRIPTION	ASTM DESIGNATION
	TUBE STEEL	A500 (GRADE B)
	SCHEDULE PIPE	A53 (GRADE B)
	RMT PIPE	A519
	LIGHT GAGE COLD FORMED	A1003 (GRADE 50)
	STRUCTURAL STEEL PLATE	A36
	ROOF PANELS (STEEL)	A653



GENERAL NOTES:
 UNLESS NOTED OTHERWISE, THIS STRUCTURE WAS DESIGNED TO ONLY SUPPORT WHAT IS SHOWN ON THESE DRAWINGS. THE MANUFACTURER MUST BE CONTACTED IF ANYTHING ELSE IS TO BE ATTACHED TO THIS STRUCTURE (WALLS, COLUMN WRAPS, RAILINGS, ETC.) SO THE DESIGN OF THIS STRUCTURE CAN BE REVIEWED AND POSSIBLY REVISED.

UNLESS NOTED OTHERWISE, THIS STRUCTURE WAS DESIGNED ASSUMING A 20' SEPARATION BETWEEN ANY ADJACENT STRUCTURE WITH AN EAVE HEIGHT EQUAL TO OR GREATER THAN THE EAVE HEIGHT OF THIS STRUCTURE. IF THAT SEPARATION DOES NOT EXIST, THE MANUFACTURER MUST BE CONTACTED SO THE DESIGN OF THIS STRUCTURE CAN BE REVIEWED AND POSSIBLY REVISED.

STRUCTURAL STEEL SHALL BE DETAILED, FABRICATED, AND ERECTED IN ACCORDANCE WITH THE LATEST EDITION OF THE AMERICAN INSTITUTE OF STEEL CONSTRUCTION (AISC) SPECIFICATION MANUAL.

ALL WELDING IS PERFORMED BY AMERICAN WELDING SOCIETY (AWS) CERTIFIED WELDERS AND CONFORMS TO THE LATEST EDITION OF AWS D1.1 OR D1.3 AS REQUIRED.

PARTS SHOWN MAY BE UPGRADED DUE TO STANDARDIZED FABRICATION. REFER TO THE SHIPPING BILL OF MATERIALS FOR POSSIBLE SUBSTITUTIONS.

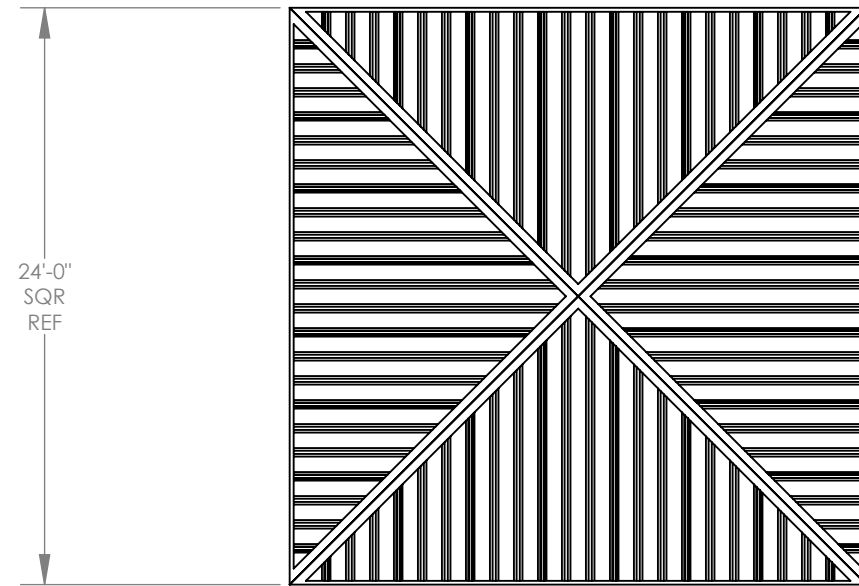
FOR PROPER FIELD INSTALLATION OF THE BUILDING IT IS RECOMMENDED THAT THE PRIMARY FRAME INSTALLER AND THE ROOF INSTALLER HAVE A MINIMUM FIVE (5) YEARS DOCUMENTED EXPERIENCE INSTALLING THIS TYPE OF PRODUCT.

FOR PROPER FIELD INSTALLATION OF THE BUILDING IT IS RECOMMENDED THAT ELECTRIC WIRING, IF REQUIRED, BE RUN THROUGH THE STRUCTURAL MEMBERS BEFORE THE BUILDING IS ERECTED.

STOP!!
NOT FOR CONSTRUCTION
 USE FOR PRELIMINARY
 PLANNING AND ESTIMATING
 ONLY

poligon
 by PORTER CORP
 WWW.POLIGON.COM
 MAIN: (616) 888-3500
 FIELD SUPPORT: (616) 888-3504

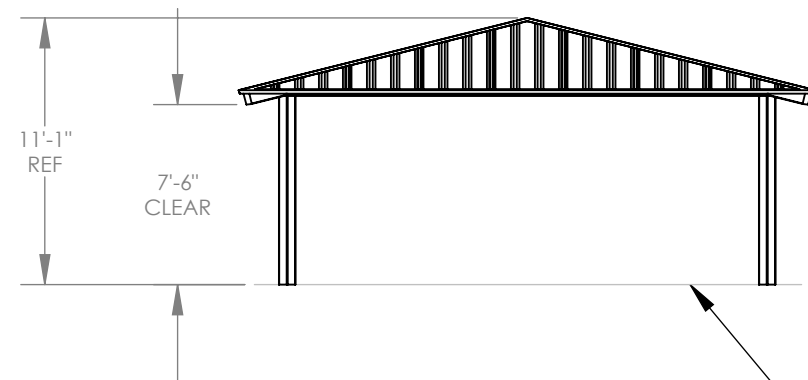
REV LEVEL:	A	DRAWN BY:	jacob.heller
SCALE:	1:48	PRINT DATE:	6/28/2022
		JOB NO.:	P14863
		CAD MODEL:	~E1-P14863
PROJECT:	Pocket Park	DRAWING:	COVER SHEET
PROJECT LOCATION:	Waukesha, WI	SHEET	CS



TOP VIEW

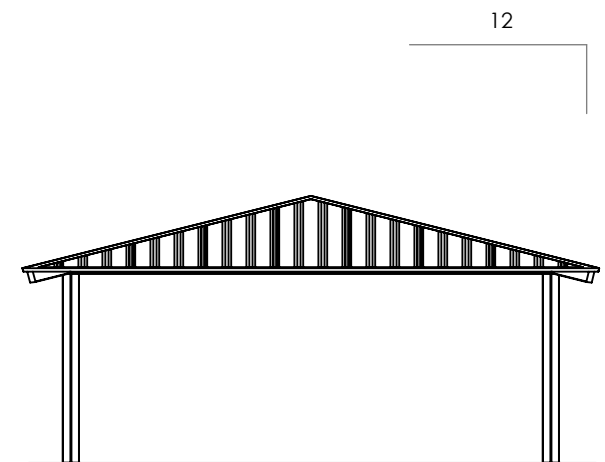


ISOMETRIC VIEW



FRONT VIEW

FINISH GRADE
(ASSUMED AT CONSTANT
ELEVATION UNLESS
OTHERWISE NOTED)



SIDE VIEW

GENERAL ROOF NOTES:

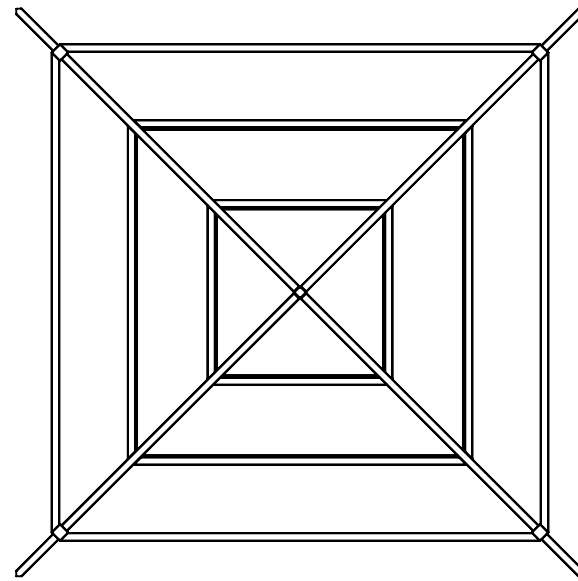
1. METAL ROOFING:
 - 24 GAUGE
 - GALVALUME COATED
 - KYNAR 500 PAINTED
2. TRIM COLOR MATCHES ROOF
3. SEE POLIGON.COM FOR COLOR OPTIONS

STOP!!
NOT FOR CONSTRUCTION

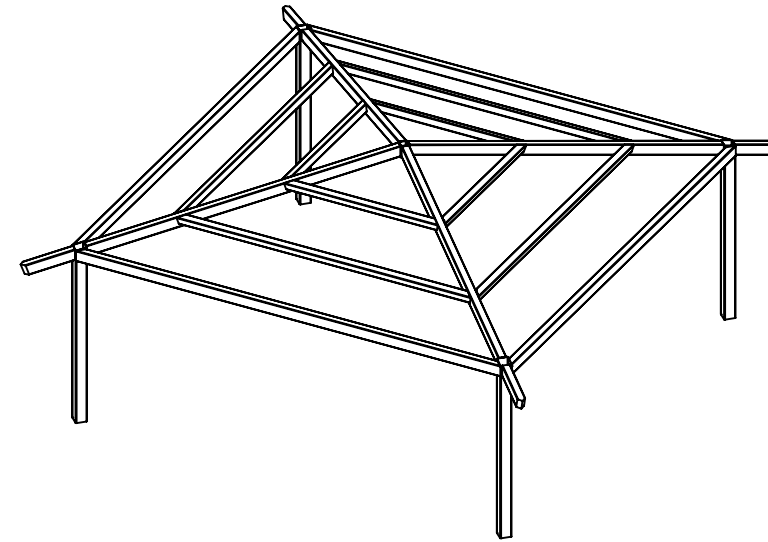
USE FOR PRELIMINARY
PLANNING AND ESTIMATING
ONLY

REV LEVEL:	A
DRAWN BY:	jacob.heller
PRINT DATE:	6/28/2022
JOB NO.:	P14863
CAD MODEL:	~E1-P14863
SCALE:	1:96

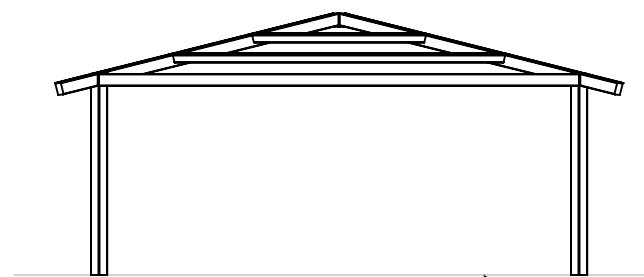
PROJECT:	Pocket Park
PROJECT LOCATION:	Waukesha, WI
DRAWING:	ARCHITECTURAL ELEVATIONS



TOP VIEW

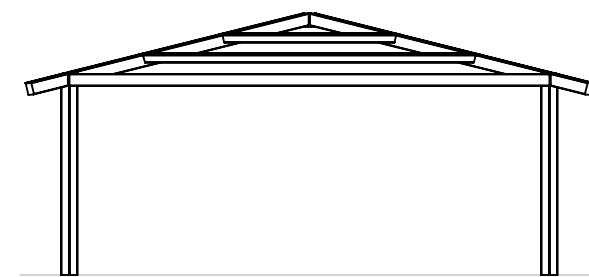


ISOMETRIC VIEW



FRONT VIEW

FINISH GRADE
(ASSUMED AT CONSTANT
ELEVATION UNLESS
OTHERWISE NOTED)



SIDE VIEW

STOP!!
NOT FOR CONSTRUCTION
USE FOR PRELIMINARY
PLANNING AND ESTIMATING
ONLY

REV LEVEL:	A
SCALE:	1:96
DRAWN BY:	jacob.heller
PRINT DATE:	6/28/2022
JOB NO.:	P14863
CAD MODEL:	~E1-P14863

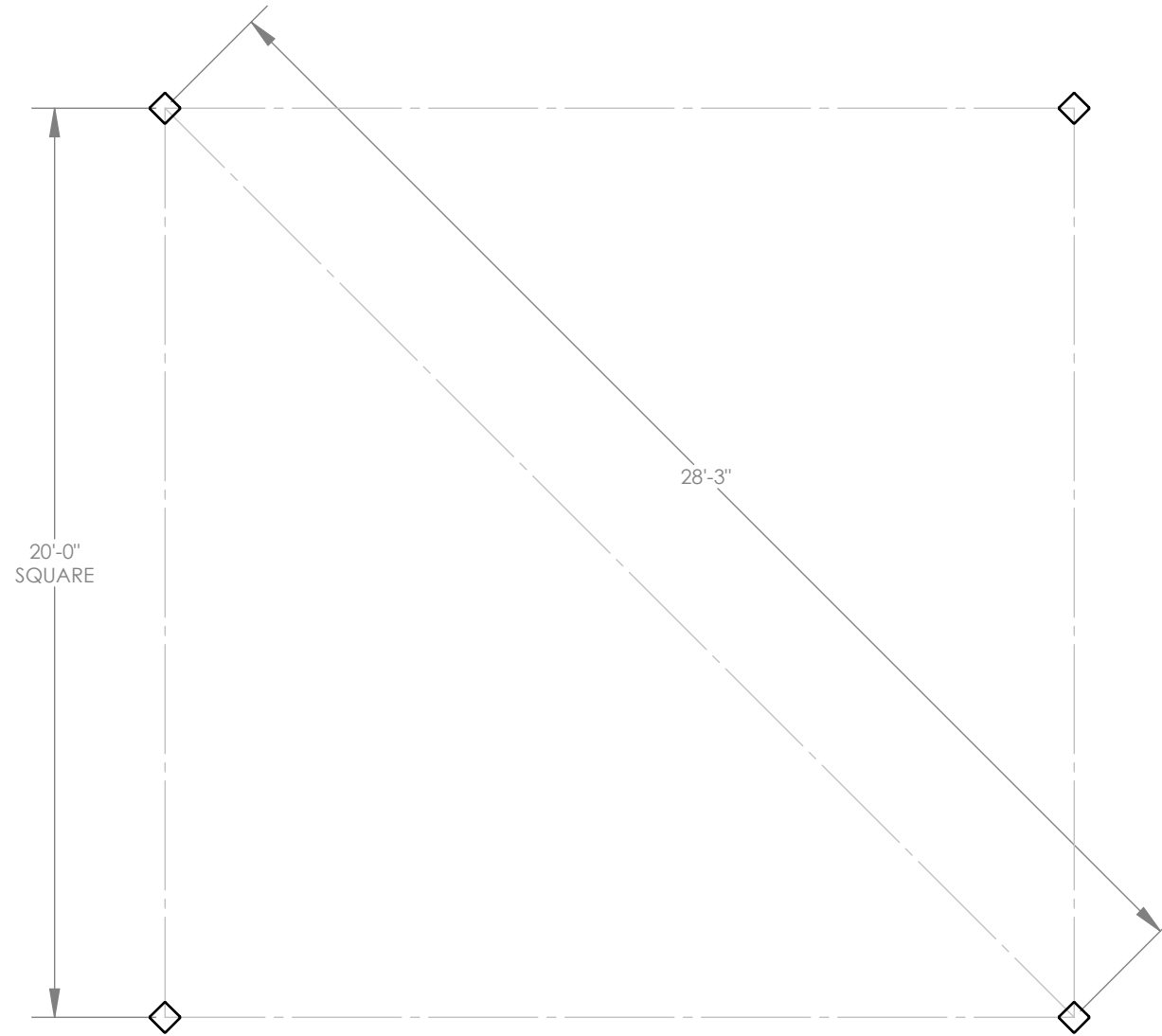
PROJECT:	Pocket Park
PROJECT LOCATION:	Waukesha, WI
DRAWING:	STRUCTURAL FRAMING PLAN

SHEET

2

STOP!!
NOT FOR CONSTRUCTION

USE FOR PRELIMINARY
PLANNING AND ESTIMATING
ONLY



ANCHOR BOLT LAYOUT NOTES:

1. ENGINEERING WILL DETERMINE REQUIRED ANCHOR BOLT LAYOUT AFTER ENGINEERING PACKAGE IS ORDERED.
2. CUSTOMER MAY SUGGEST PREFERRED ANCHOR BOLT LAYOUT.

PROJECT:	Pocket Park	PRINT DATE:	6/28/2022	DRAWN BY:	jacob.heller	REV LEVEL:	A
PROJECT LOCATION:	Waukesha, WI	JOB NO.:	P14863			SCALE:	1:48
DRAWING:	COLUMN LAYOUT	CAD MODEL:	~E1-P14863				

SHEET

3

poligon[®]



FRAME COLOR: **SURREY BEIGE**
ROOF COLOR: **EVERGREEN**
COLORS SHOWN ARE FOR REFERENCE ONLY.
CONTACT INFO@POLIGON.COM TO REQUEST ACTUAL COLOR SAMPLES.

Pocket Park
Waukesha, WI
SQR 24