

COPYRIGHT NOTICE
This drawing is the property of the above referenced Professional and is not to be used for any purpose other than the specific project and site named herein, and cannot be reproduced in any manner without the express written permission from the Professional

ISSUE/REVISION RECORD

DATE	DESCRIPTION
01/09/17	PRELIMINARY CITY REVIEW
01/24/17	THD REVIEW
02/03/17	THD/CITY REVIEW

PROFESSIONAL IN CHARGE

KERI WILLIAMS
PROFESSIONAL ENGINEER
LICENSE NO. 42288

PROJECT MANAGER

JIM COYLE

QUALITY CONTROL

JIM COYLE

DRAWN BY

ERIC CARRANZA

PROJECT NAME

DULUTH TRADING COMPANY

WAUKESHA WISCONSIN

2320 BLUEMOUND ROAD

PROJECT NUMBER

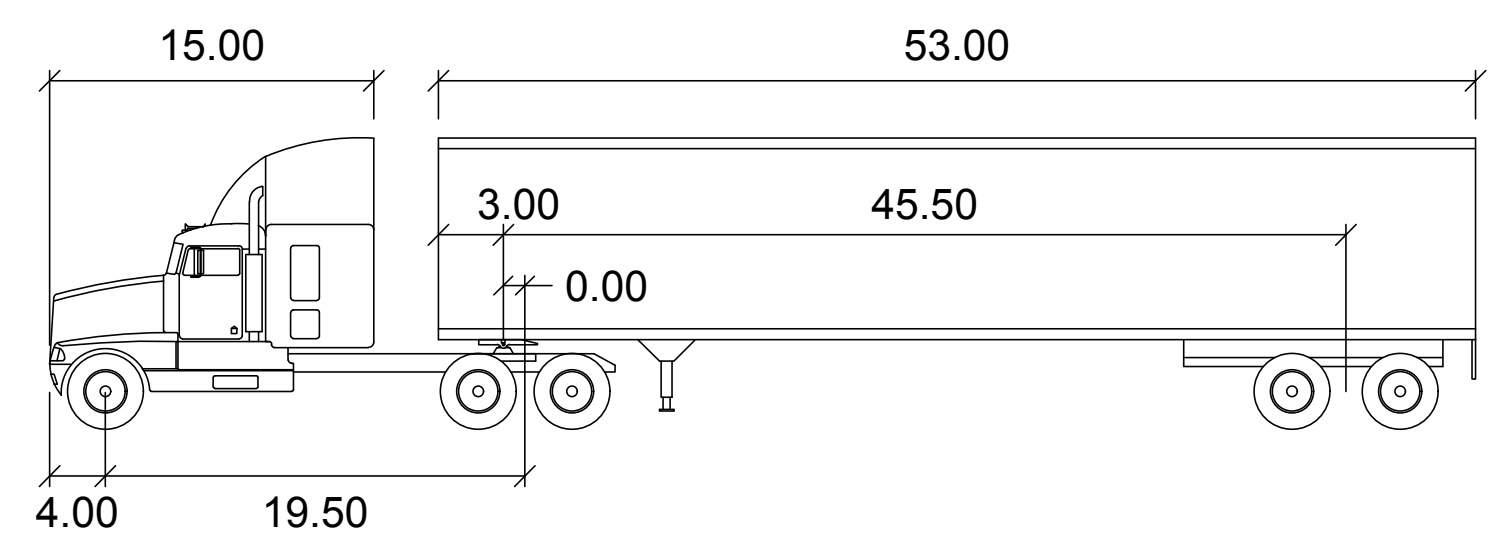
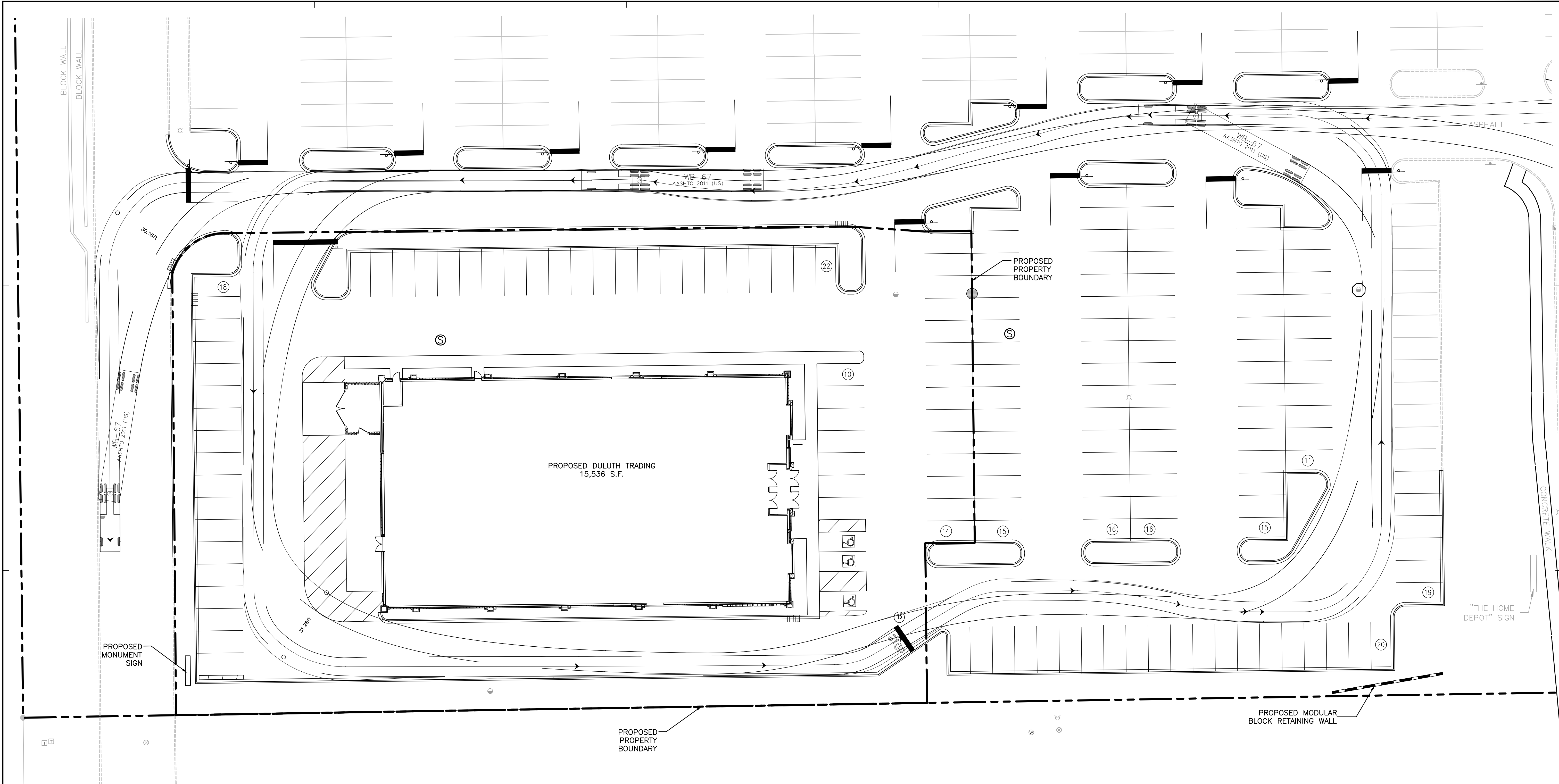
20161393.0

SHEET TITLE

TRUCK TURN

SHEET NUMBER

C2.1



WB-67	feet		
Tractor Width	: 8.00	Lock to Lock Time	: 6.0
Trailer Width	: 8.50	Steering Angle	: 28.4
Tractor Track	: 8.00	Articulating Angle	: 75.0
Trailer Track	: 8.50		

