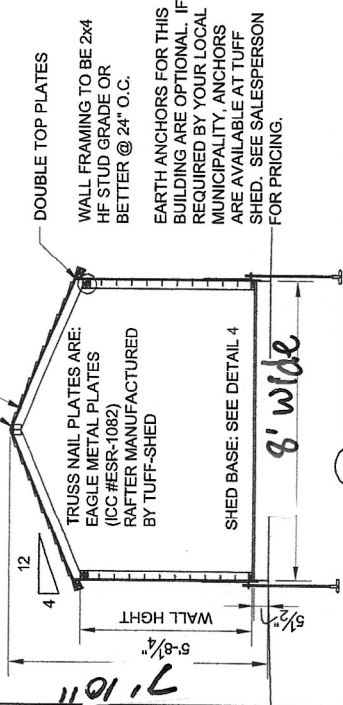
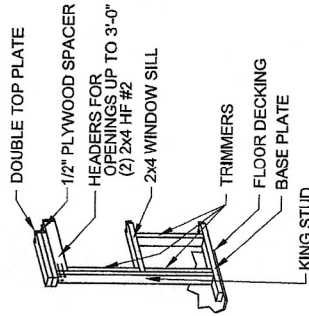


GR SHED **8' WIDE x 12' LONG**
GARDEN SERIES

REFER TO THE TRUSS DESIGN FOR LUMBER SIZE, PLATE SIZE, AND TRUSS SPACING



1 BUILDING SECTION
SCALE: N.T.S.



2A WINDOW HEADER DETAIL FOR LOAD BEARING WALLS
SCALE: N.T.S.

2B DOOR HEADER DETAIL FOR LOAD BEARING WALLS
SCALE: N.T.S.

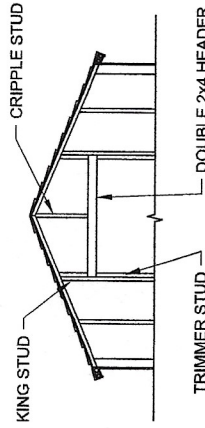
TUFF SHED
 Storage Buildings & Garages
 TUFF SHED, INC.

Order #:
 Customer:
 Site Address:
 Building Size: WIDTH - LENGTH - HEIGHT - SQ. FT. AREA

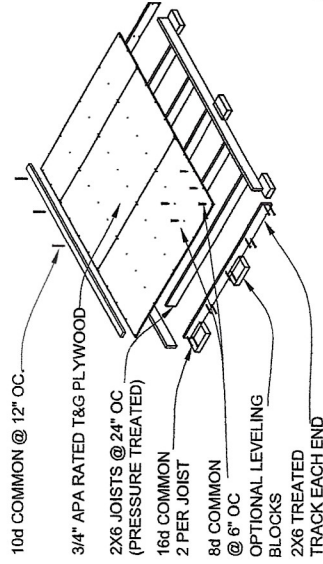
P.O. #
 Drawn By: PK
 Date: 6/23/19
 Checked By:
 Date:
 Scale: N.T.S.

THESE DRAWINGS AND THE DESIGN ARE THE PROPERTY OF TUFF SHED, INC. THESE DRAWINGS ARE FOR A BUILDING TO BE SUPPLIED AND BUILT BY TUFF SHED. ANY OTHER USE IS FORBIDDEN BY TUFF SHED INC. & THE ENGINEER OF RECORD.

3 HEADER DETAIL FOR NON-LOAD BEARING WALLS
SCALE: N.T.S.



4 SHED BASE DETAIL
SCALE: N.T.S.



- WOOD SHED FOUNDATION:
 2X6 PRESSURE TREATED TRACKS
 2X6 PRESSURE TREATED JOISTS @ 24" OC.
 3/4" APA RATED TONGUE AND GROOVE FLOOR.
 24" MAX PANEL SPAN. NO BLOCKING REQUIRED. ALL EDGES SHALL LIE ON FLOOR JOISTS.
- STAGGER PANEL LAYOUT PER APA CONDITION 1. NAIL PLYWOOD TO JOISTS AND TRACKS:
 BORDER: 8d COMMON SPACED @ 6" OC.
 EDGE: 8d COMMON SPACED @ 6" OC.
 FIELD: 8d COMMON SPACED @ 12" OC.
- FASTEN SOLE PLATE THROUGH FLOORPLY INTO FLOOR JOISTS AND TRACKS WITH 10d GALVANIZED SPACED @ 12" OC.
- ALLOWABLE FLOOR LIVE LOAD: 40 PSF
- USE OPTIONAL CONCRETE BLOCKS AS REQUIRED TO LEVEL BUILDING. SUGGESTED SIZES: 1-1/4" X 8" X 16", 4" X 8" X 16", OR 8" X 8" X 16". BLOCKS ALONG JOISTS SPACED @ 8-0" OC MAXIMUM. BLOCKS ALONG TRACK SPACED @ 4-0" OC MAXIMUM.

NOTES:
 1. BUILDING CODE: 2015 IBC & 2015 IRC

2. DESIGN LOADING:
 WIND SPEED & EXPOSURE: 110C
 ROOF LIVE LOAD: 30 PSF
 ROOF DEAD LOAD: 10 PSF

3. FOR SHEDS WHICH OTHERWISE MEET THE PRESCRIPTIVE REQUIREMENTS OF THE 2015 IBC & 2015 IRC ALL SHEDS CONSTRUCTED ACCORDING TO STANDARD CONVENTIONAL CONSTRUCTION METHODS.

NAILING:

ROOF: ATTACH 7/16" OSB SHEATHING TO TRUSSES WITH:
 8d NAILS @ 6" O.C. AT EDGES
 8d NAILS @ 12" O.C. IN FIELD

WALLS:

ATTACH 3/8" SMARTSIDE TO WALL FRAMING WITH:
 8d NAILS @ 6" O.C. AT EDGES.
 8d NAILS @ 12" O.C. IN FIELD

HEADER:

ATTACH HEADER TO STUD WITH:
 4-8d TOENAIL OR 4-16d END NAIL DOUBLED HEADER-16d @ 16" STAGGERED FACE NAIL

SIDE DOORS ARE NOT AVAILABLE ON THIS MODEL

DRAWING NO.	GR-01
REV. LEVEL	01
SHEET	1
PAGE	1 OF 1

TITLE	BUILDING SECTIONS
	SHED BASE DETAILS
	HEADER FRAMING DETAILS
	NOTES - 2015 IBC & IRC-110C

DRAWINGS BY:
TUFF SHED, INC.
 IN HOUSE DRAFTING DEPARTMENT
 1777 S. HARRISON STREET
 DENVER, COLORADO 80210
 (303) 753-TUFF
TUFF SHED INC. ASSUMES ALL RESPONSIBILITY FOR THE ACCURACY OF THE DRAWINGS AND THE CONSTRUCTION OF THE BUILDING SHOWN HEREIN.