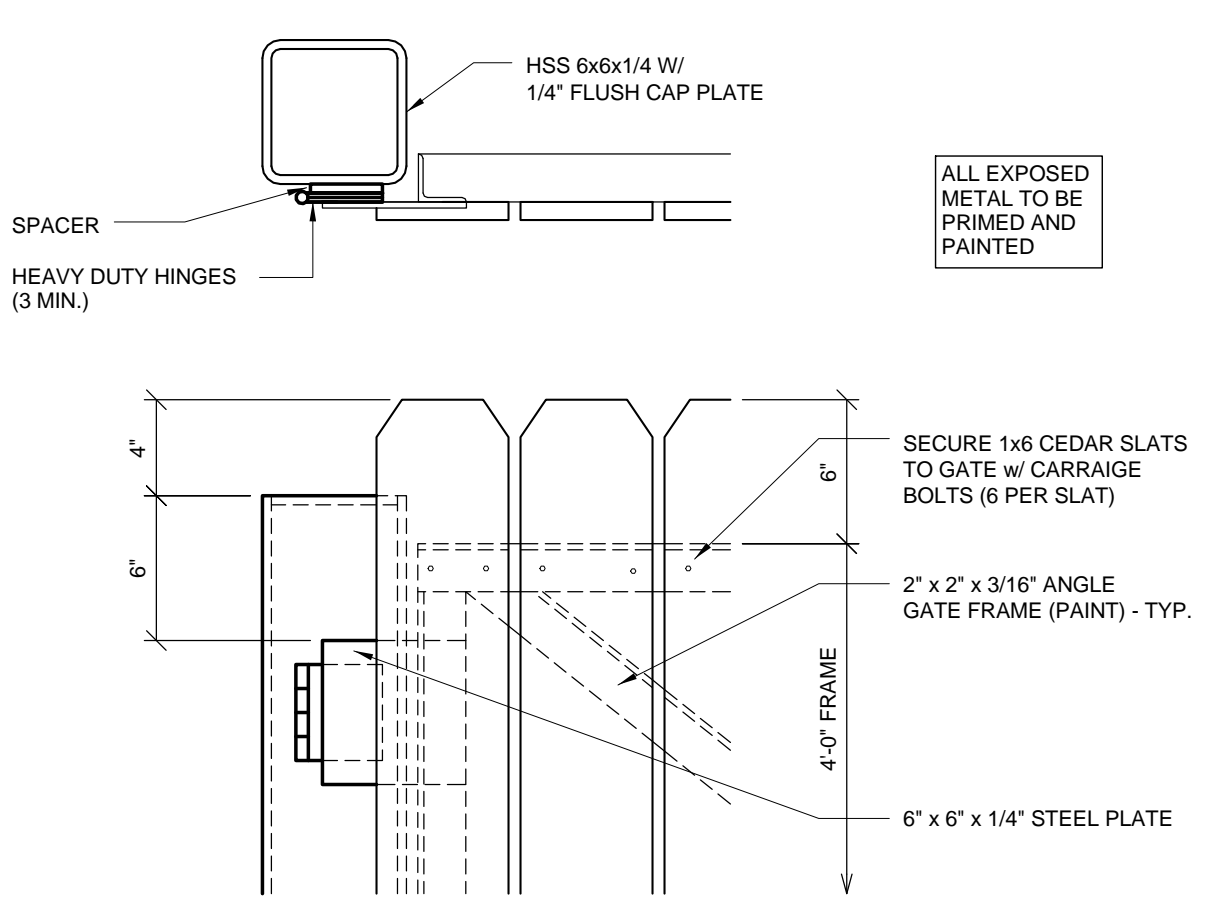
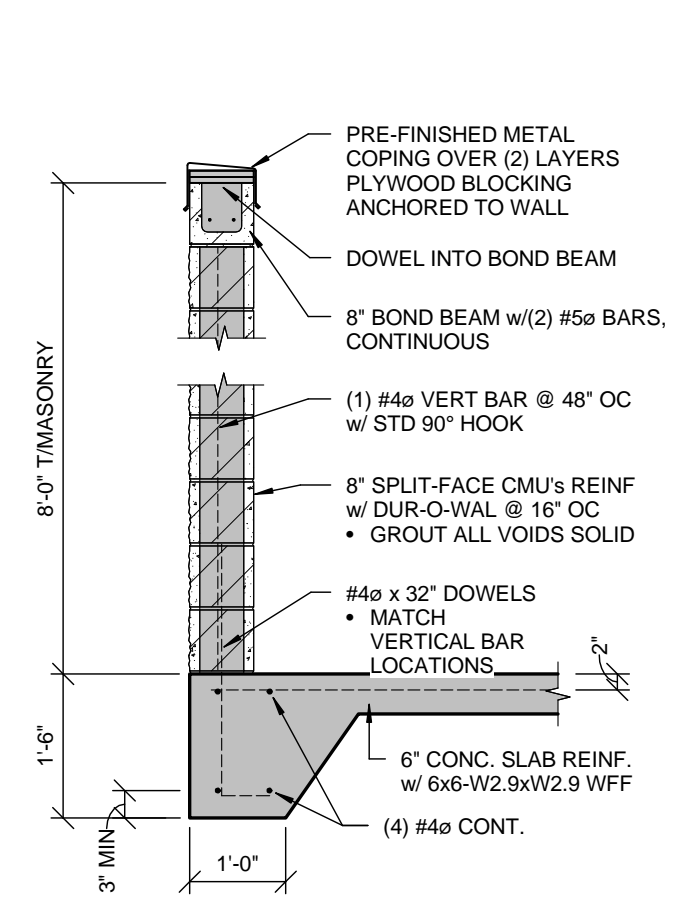


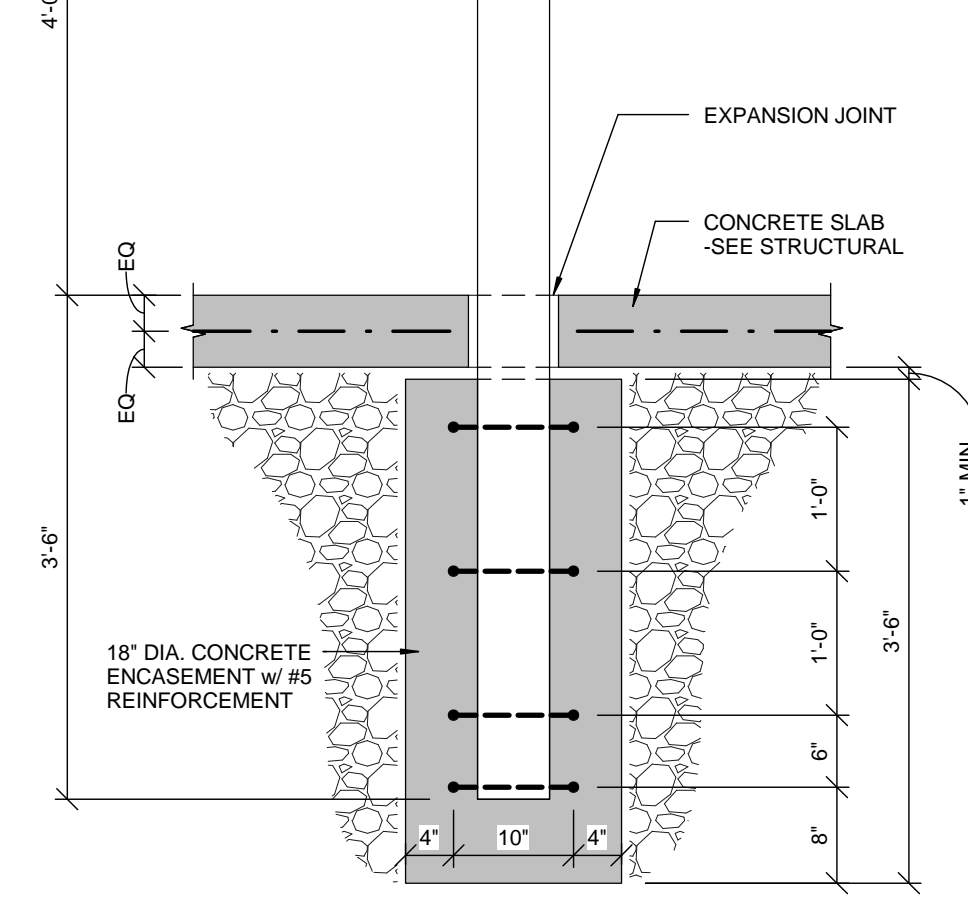
8 WEST STORAGE ELEVATION
SCALE: 1/4" = 1'-0"



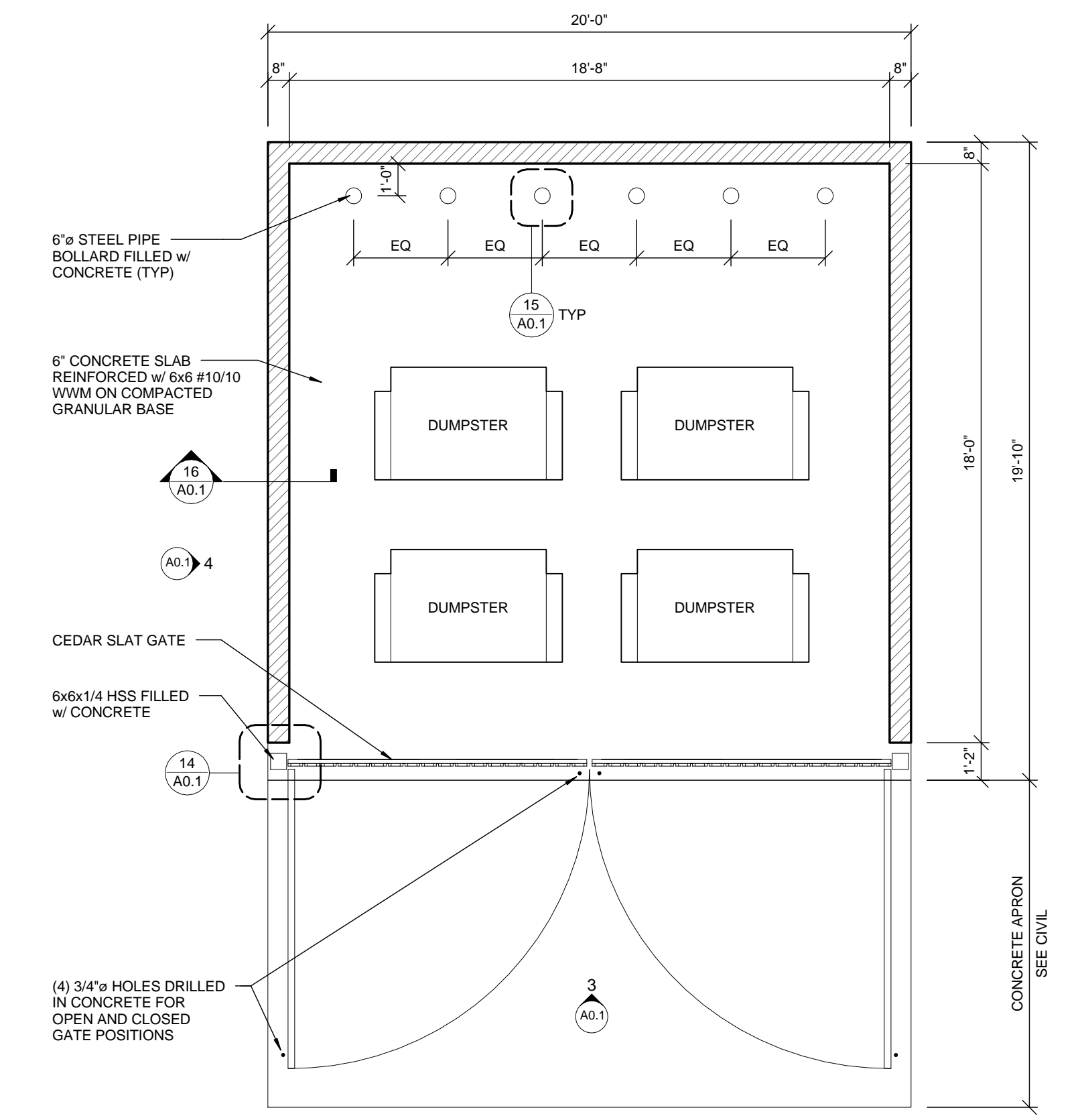
14 GATE DETAIL
SCALE: 1 1/2" = 1'-0"



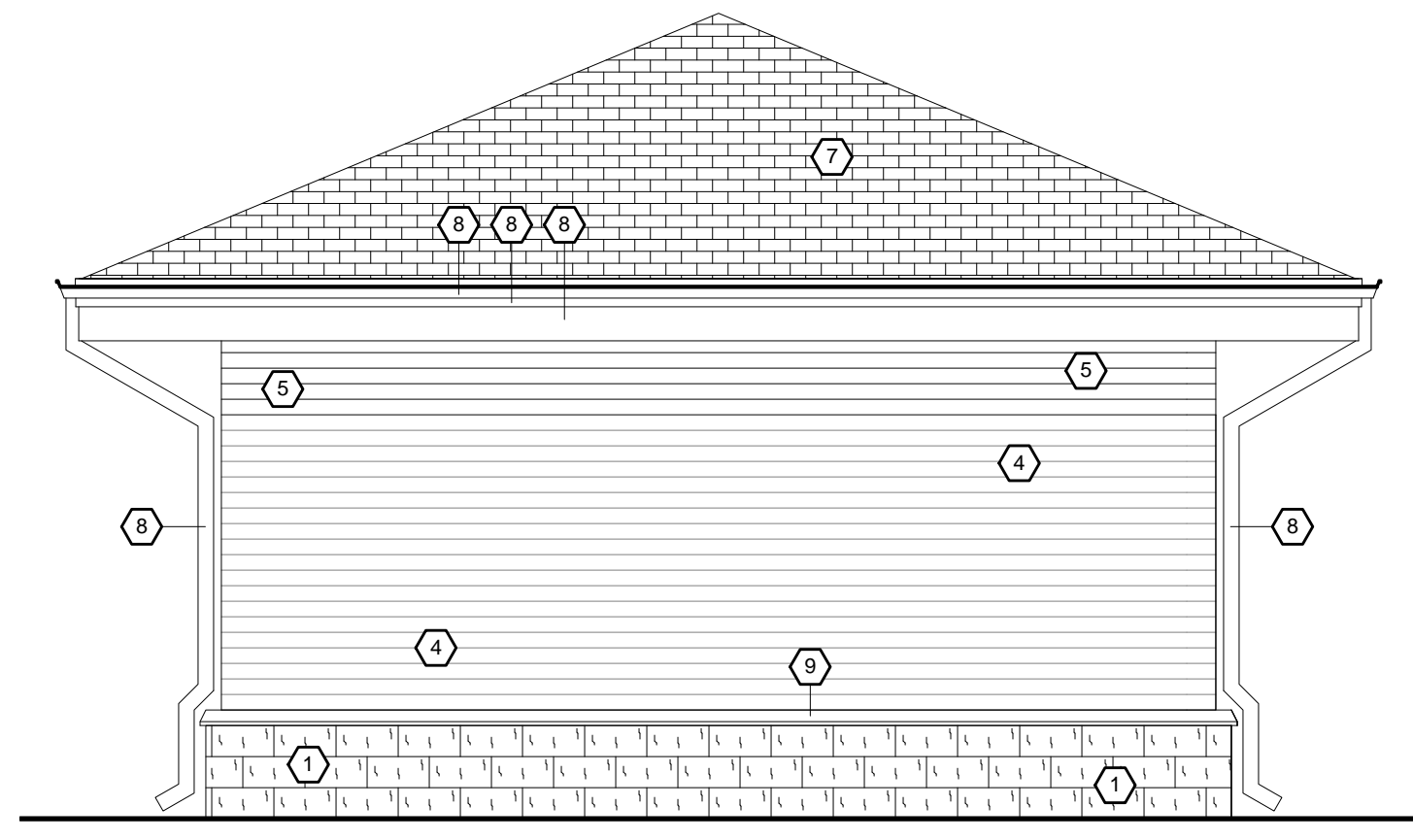
16 WALL SECTION
SCALE: 1/2" = 1'-0"



15 BOLLARD DETAIL
SCALE: 3/4" = 1'-0"



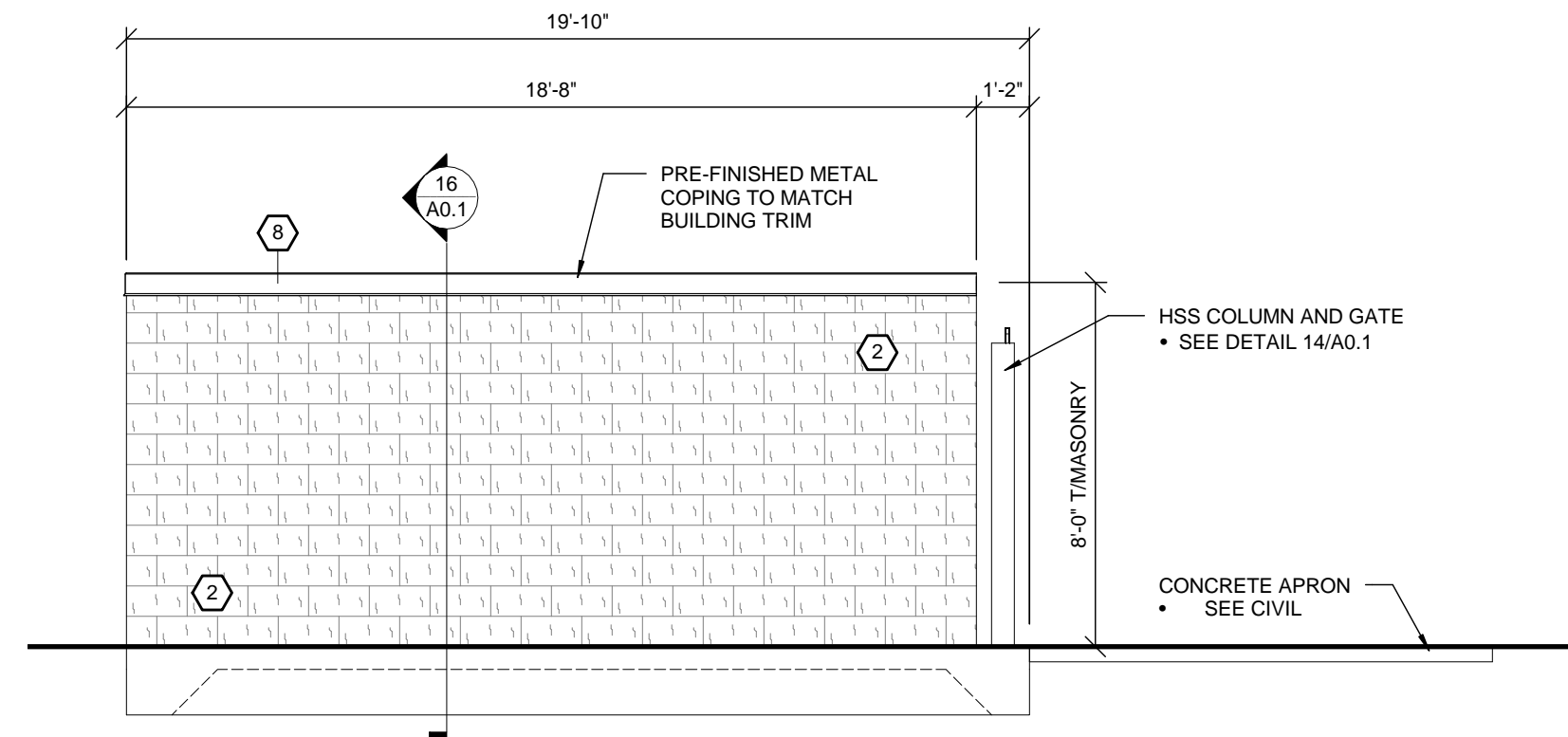
1 DUMPSTER ENCLOSURE PLAN
SCALE: 1/4" = 1'-0"



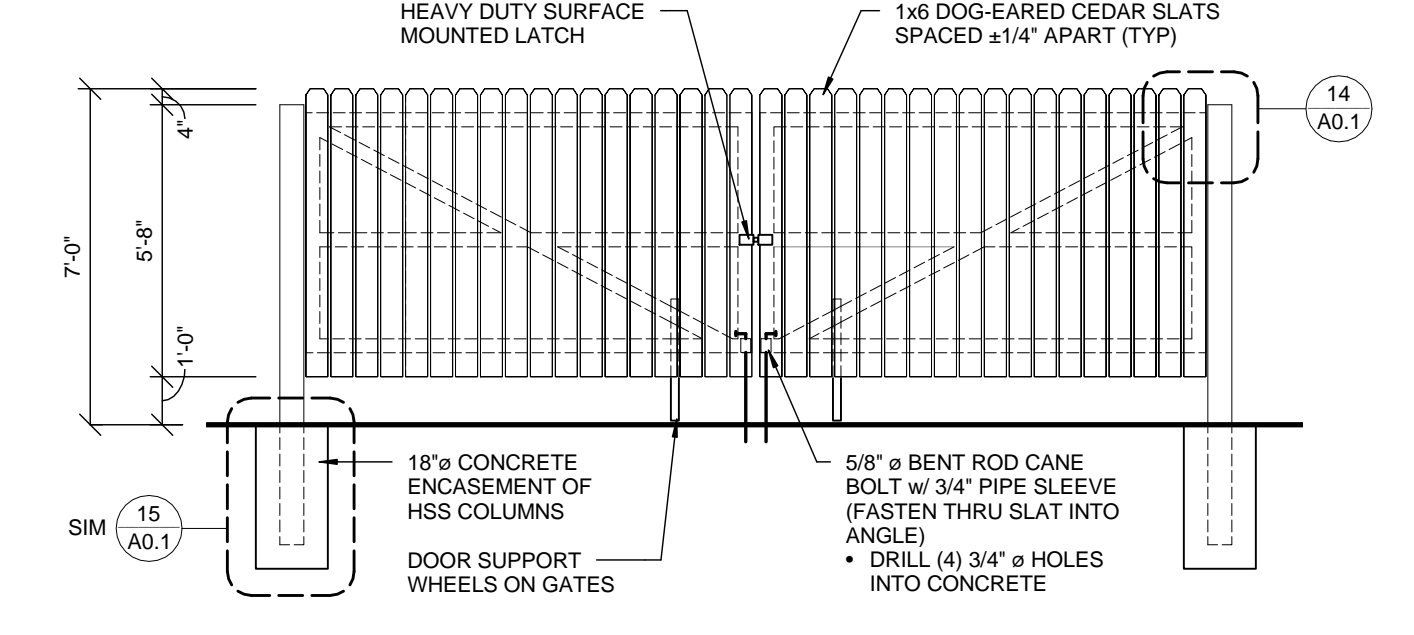
7 SOUTH STORAGE ELEVATION
SCALE: 1/4" = 1'-0"

EXTERIOR FINISH KEY		
10	ALUM WINDOWS SEE SPEC	
9	CAST STONE SILL STONECAST BUFF	
8	ALUM FASCIA PAC-CLAD DARK BRONZE	
7	ASPHALT SHINGLES ON 30# ROOFING FELT ON 5/8 OSB SHEATHING	
6	NEW SIDING ON EXISTING WALL SIDING TO MATCH 4	
5	LP SMART SIDING PRE-FINISHED DARK BRONZE	ENGINEERED WOOD LAP SIDING MFR: LP SMARTSIDE STYLE: CEDAR TEXTURE LAP SIDING COLOR: PREFINISHED TAN
4	LP SMART SIDING PRE-FINISHED TAN	ENGINEERED WOOD LAP SIDING MFR: LP SMARTSIDE STYLE: CEDAR TEXTURE LAP SIDING COLOR: PREFINISHED TAN
3	EXISTING SPLIT-FACED CMU REPAINTED TAN	EXISTING SPLIT-FACE CMU STYLE: REPAINTED COLOR: TAN
2	4" SPLIT-FACED VENEER PAINTED TAN	4x8x16 SPLIT-FACE CMU VENEER STYLE: PAINTED COLOR: TAN
1	4" SPLIT-FACED VENEER DARK BRONZE	4x8x16 SPLIT-FACE CMU VENEER STYLE: PAINTED COLOR: DARK BRONZE

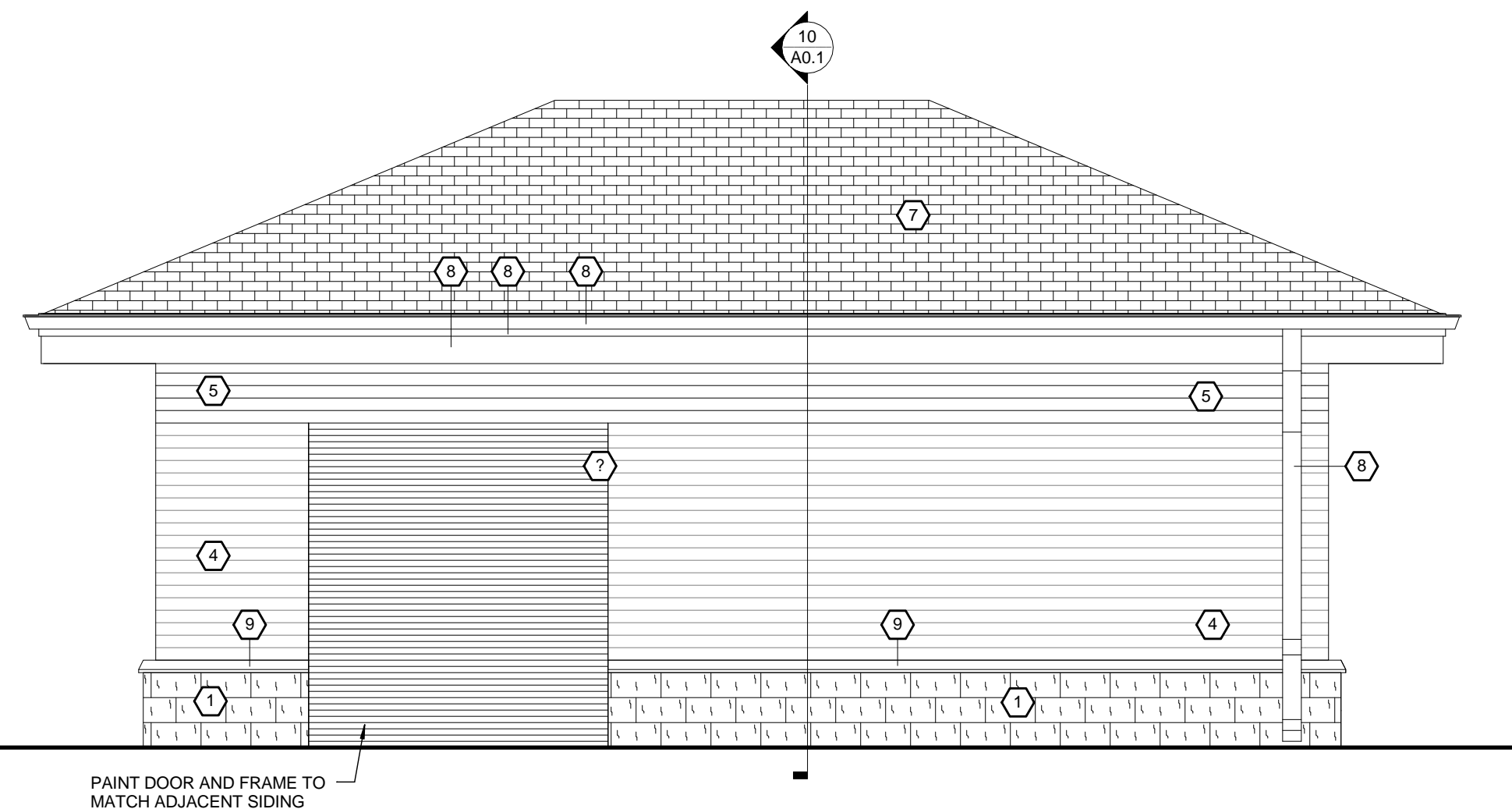
VERIFY ALL COLORS WITH OWNER PRIOR TO ORDERING



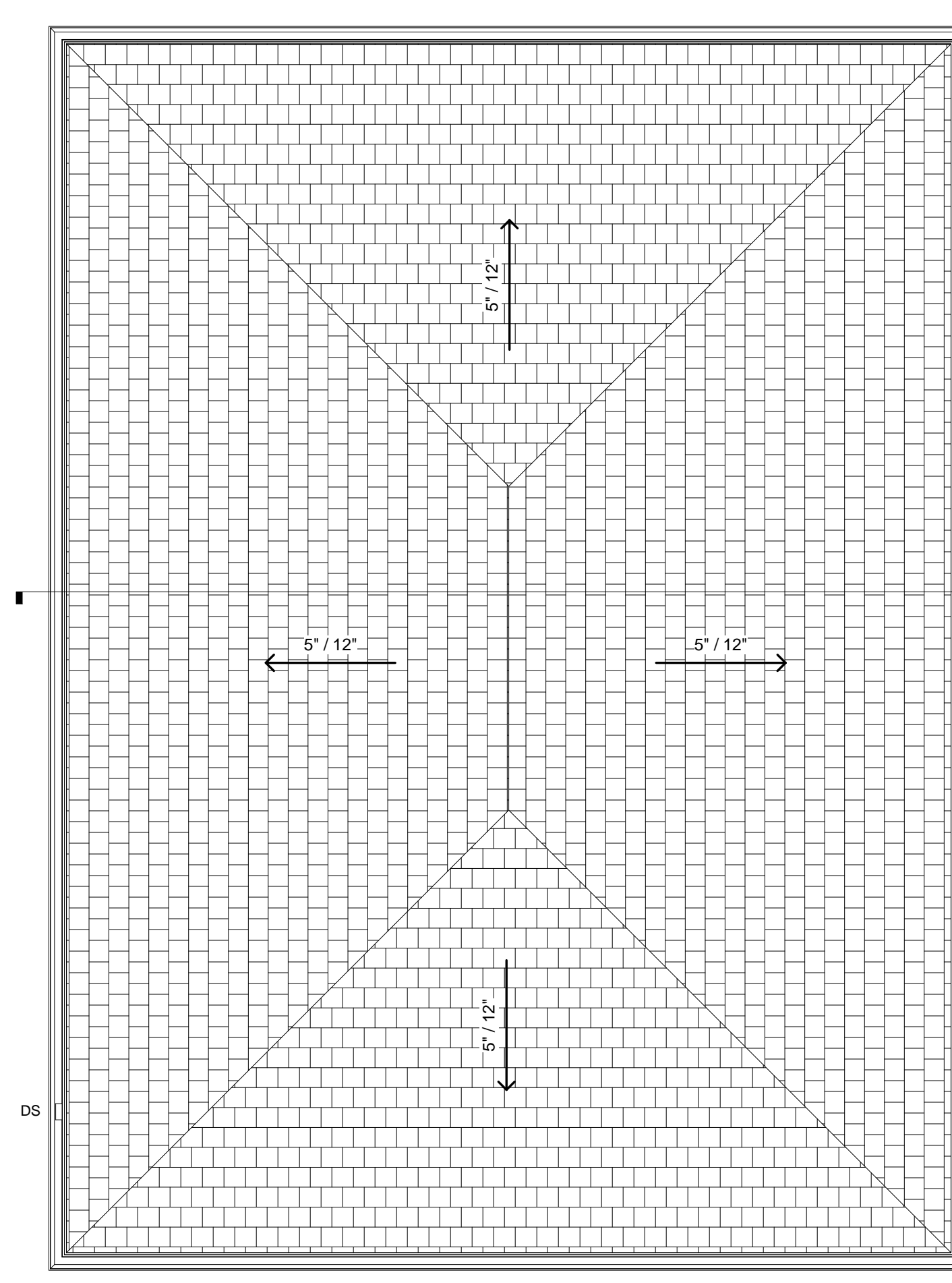
4 DUMPSTER ENCLOSURE SIDE ELEVATION
SCALE: 1/4" = 1'-0"



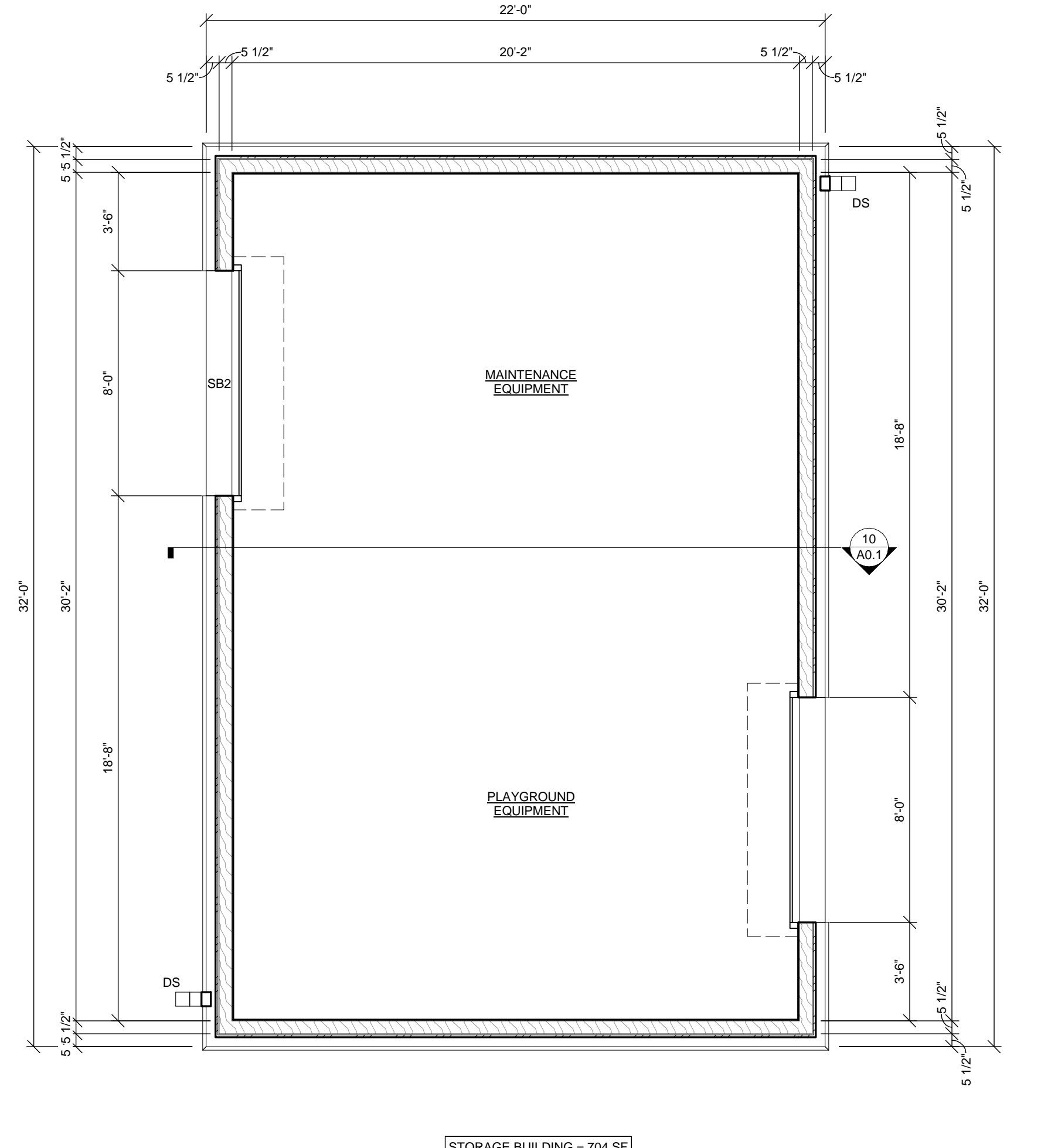
3 DUMPSTER ENCLOSURE GATE ELEVATION
SCALE: 1/4" = 1'-0"



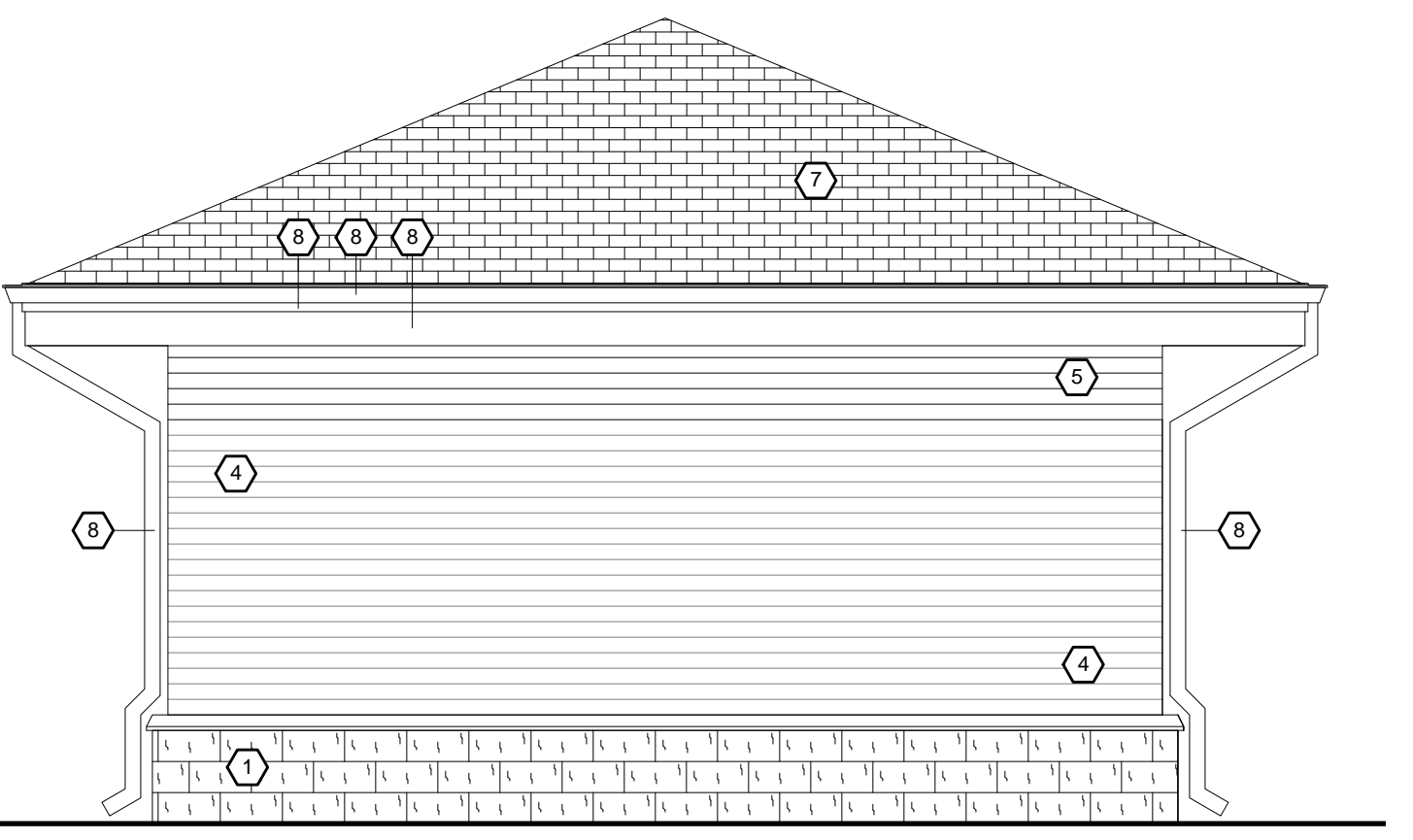
5 EAST STORAGE ELEVATION
SCALE: 1/4" = 1'-0"



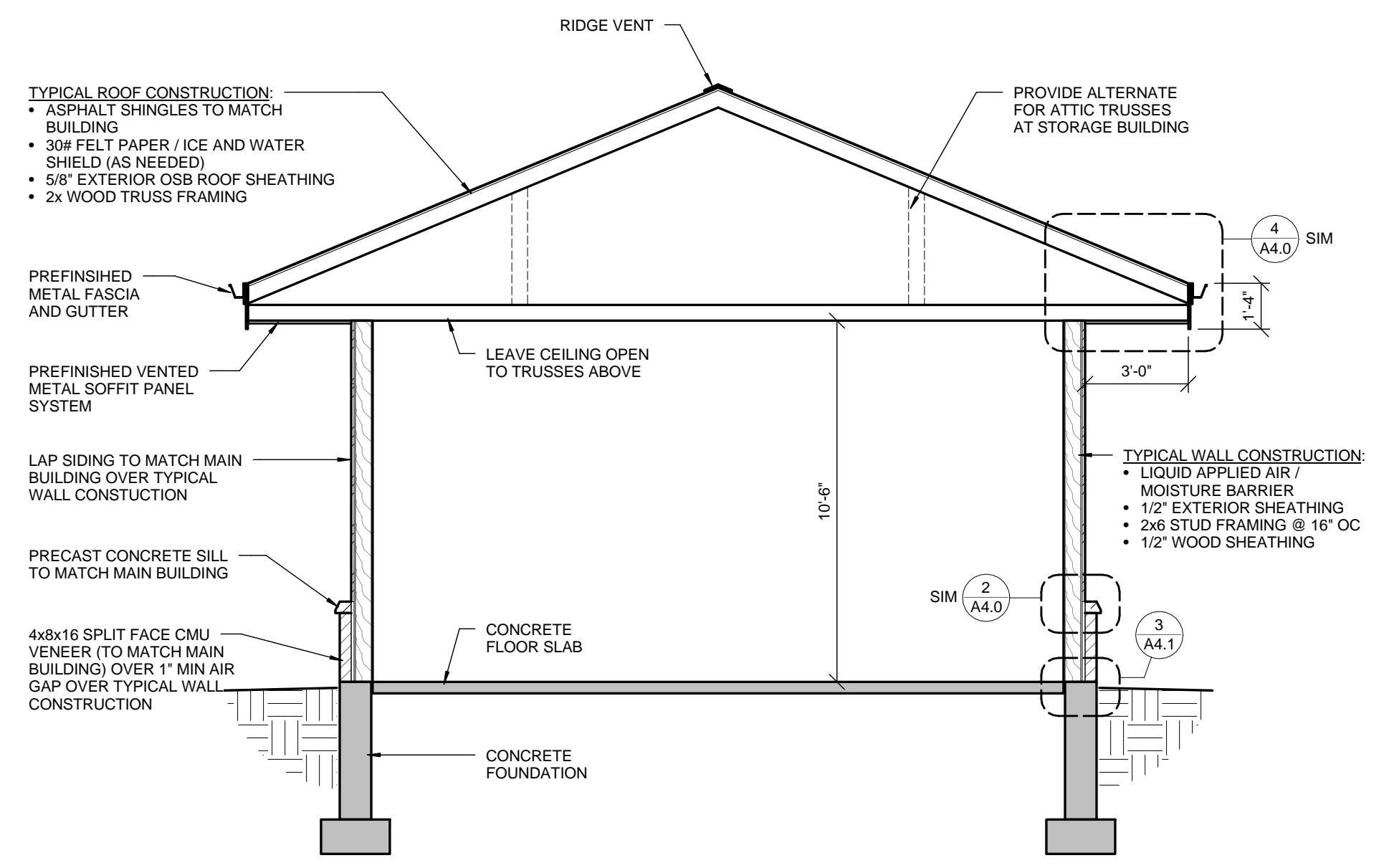
10 STORAGE BUILDING ROOF PLAN
SCALE: 1/4" = 1'-0"



10 STORAGE BUILDING FLOOR PLAN
SCALE: 1/4" = 1'-0"



6 NORTH STORAGE ELEVATION
SCALE: 1/4" = 1'-0"



10 STORAGE BUILDING SECTION
SCALE: 1/4" = 1'-0"