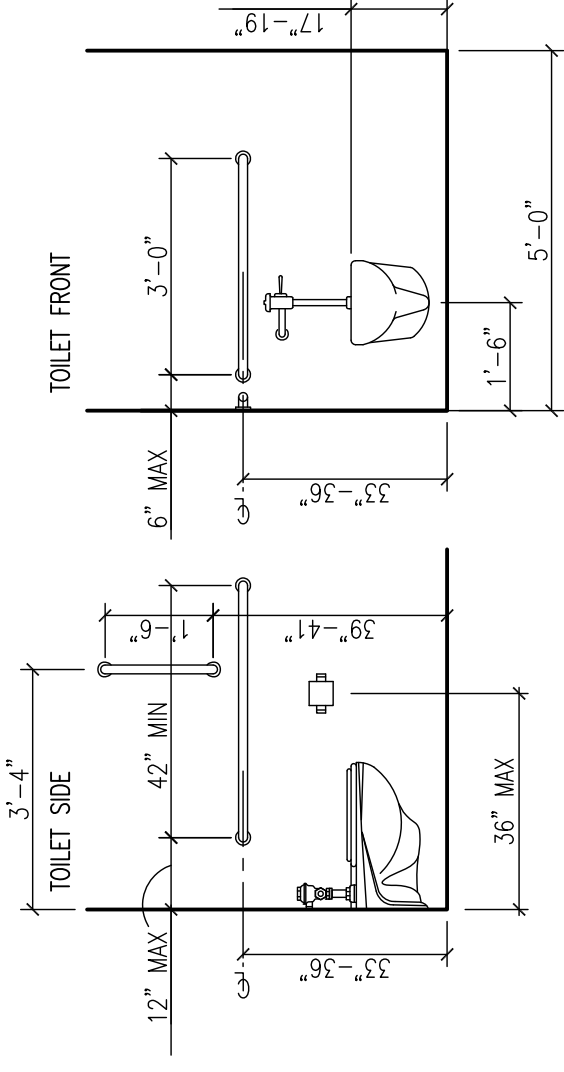
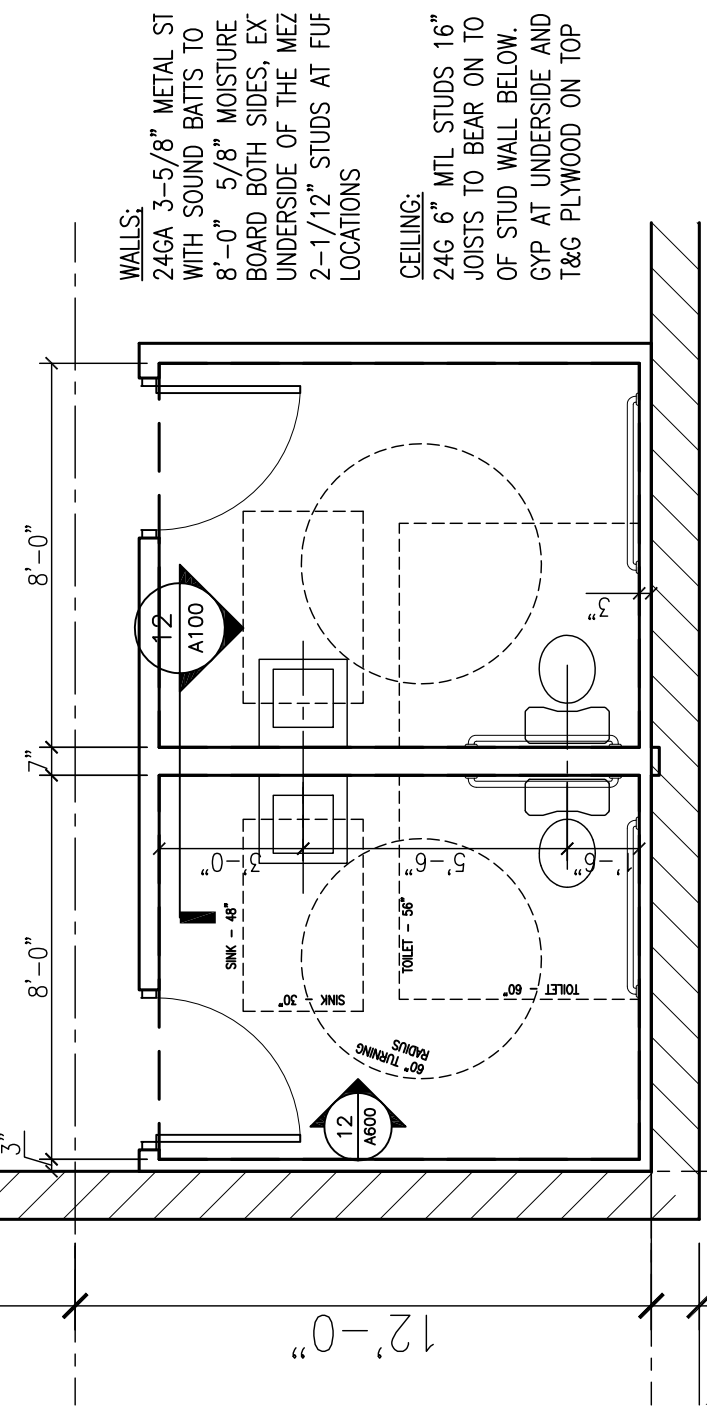


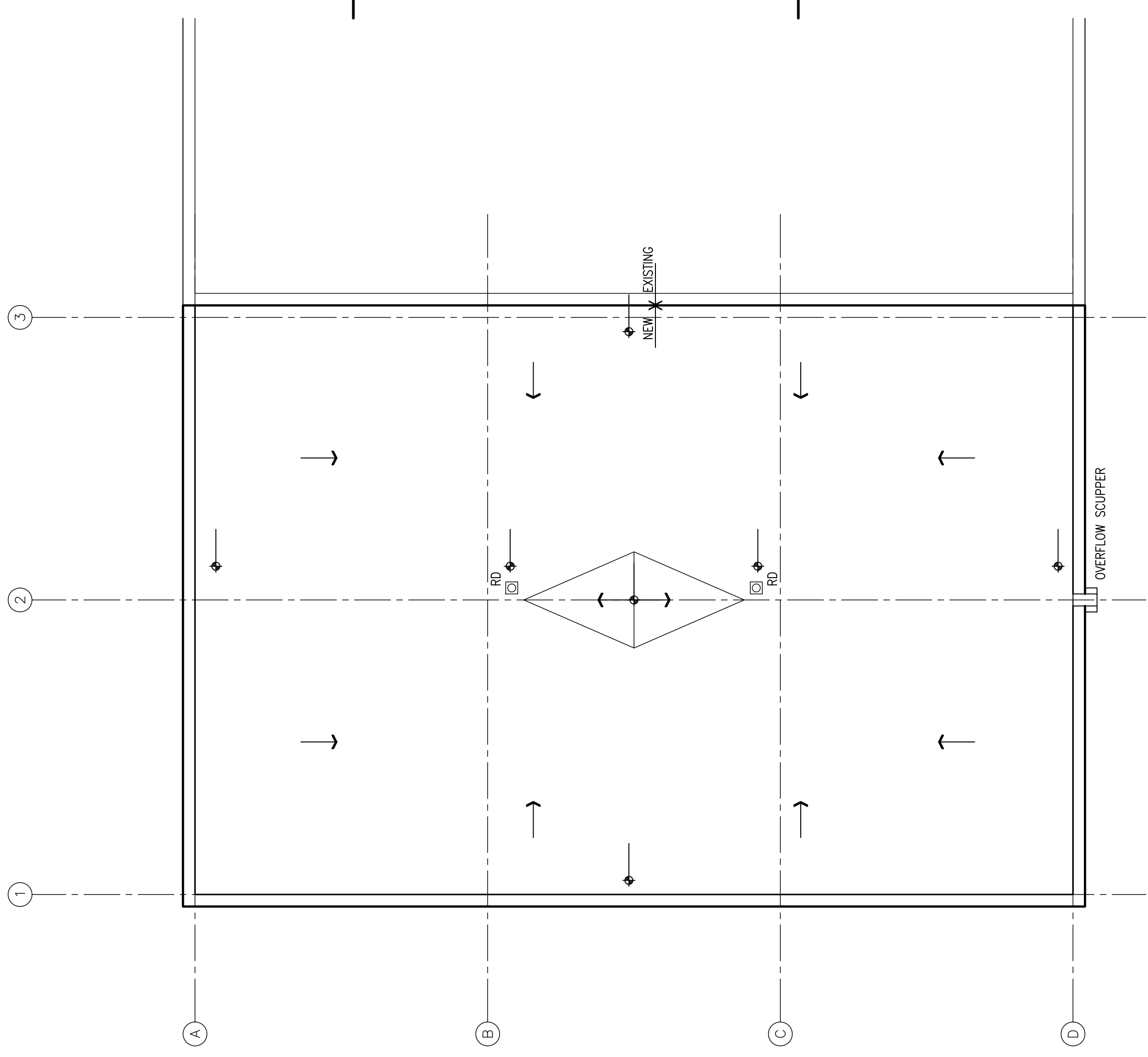
18 FLOOR PLAN  
 1/8" = 1'-0"



12 TYPICAL ACCESSIBLE MOUNTING HEIGHTS



16 ENLARGED PLAN  
 1/4" = 1'-0"



8 ROOF PLAN  
 1/8" = 1'-0"



**ROOM FINISH SCHEDULE**

ROOM NUMBER	FLOOR	FIELD	WALL FINISH	BOILER	NORTH	EAST	SOUTH	WEST	C/TOP	BASE	CABINERY	CLING FINISH	NOTES
1000	PRODUCTION ROOM	SC-1	---	PT-1	PT-1	PT-1	PT-1	PT-1	PT-1	PT-1	---	PT-1	---
101	MENS	CT-1	CT-1	CT-1	PT-2	PT-2	PT-2	PT-2	PT-2	PT-2	---	---	---
102	WOMENS	CT-1	CT-1	CT-1	PT-2	PT-2	PT-2	PT-2	PT-2	PT-2	---	---	---

SC-1 - SEALED CONCRETE  
 CT-1 - QUARRY TILE OR OWNER SELECTED FLOOR TILE  
 PT-1 - PAINT, COLOR BY OWNER  
 PT-2 - PAINT, COLOR BY OWNER

**DOOR SCHEDULE**

DOOR NO	OPENING DOOR	DOOR	FRAME	DETAILS	FIRE RATE	HARDWARE SET	REMARKS										
DOOR NO	DOOR SIZE	TYPE	MAT'L	FIN	DCLS	TYPE	MAT'L	FIN	FGLS	HEAD	JAMB	SILL	---	---	---	---	
100A	3'-4" x 7'-0"	01	HM	PT	---	AA	HM	PT	---	---	---	---	---	---	---	01	---
100B	14'-0" x 14'-0"	02	HM	PT	GL-1	---	HM	PT	---	---	---	---	---	---	---	02	---
101	3'-0" x 7'-0"	01	HM	PT	---	AA	HM	PT	---	---	---	---	---	---	---	02	---
102	3'-0" x 7'-0"	01	HM	PT	---	AA	HM	PT	---	---	---	---	---	---	---	02	---

CONSTRUCTION DOCUMENTS

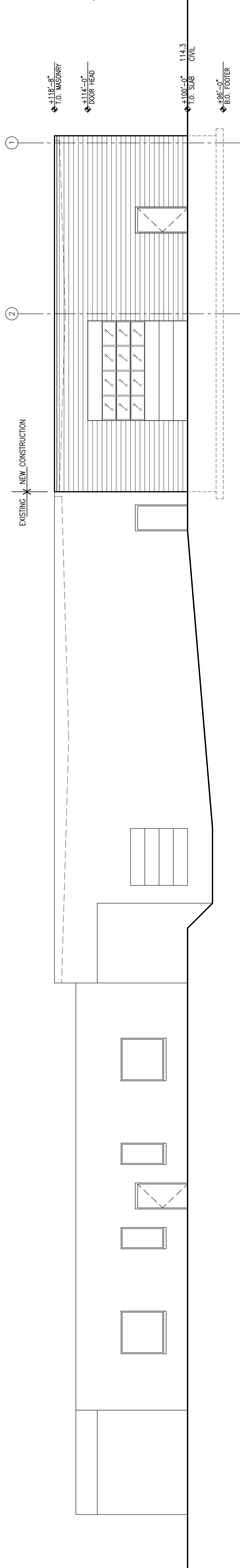
ISSUE DATE  
 AUGUST 03, 2014

PROJECT INFO  
 HY-TEC COATINGS  
 1415 ELLIS ST  
 WAUKESHA WI

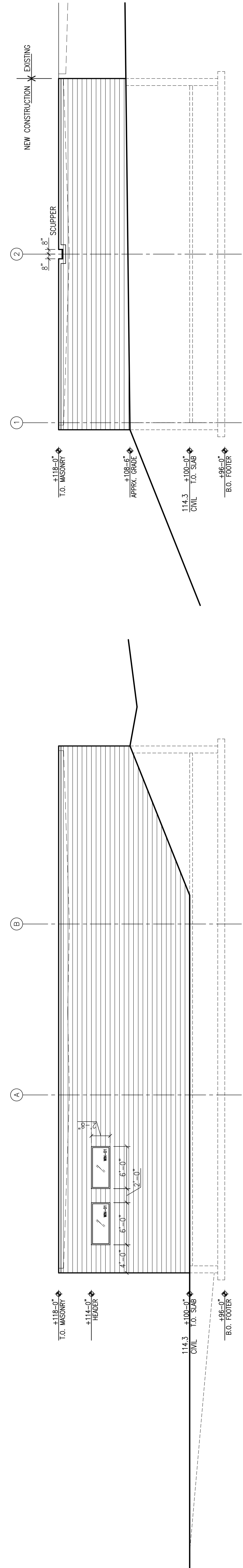
PROJECT NO.  
 DS-1302

SHEET TITLE  
 PLAN VIEWS  
 SCHEDULES &  
 MOUNTING HEIGHTS

SHEET NO.  
 A100



**7 NORTH ELEVATION**  
 1/8" = 1'-0"



**16 WEST ELEVATION**  
 1/8" = 1'-0"

**6 SOUTH ELEVATION**  
 1/8" = 1'-0"

**REVISIONS**

**CONSTRUCTION DOCUMENTS**

**ISSUE DATE**  
 AUGUST 03, 2014

**PROJECT INFO**  
 HY-TEC COATINGS  
 1415 ELLIS ST  
 WAUKESHA WI

**PROJECT NO.**  
 DS-1302

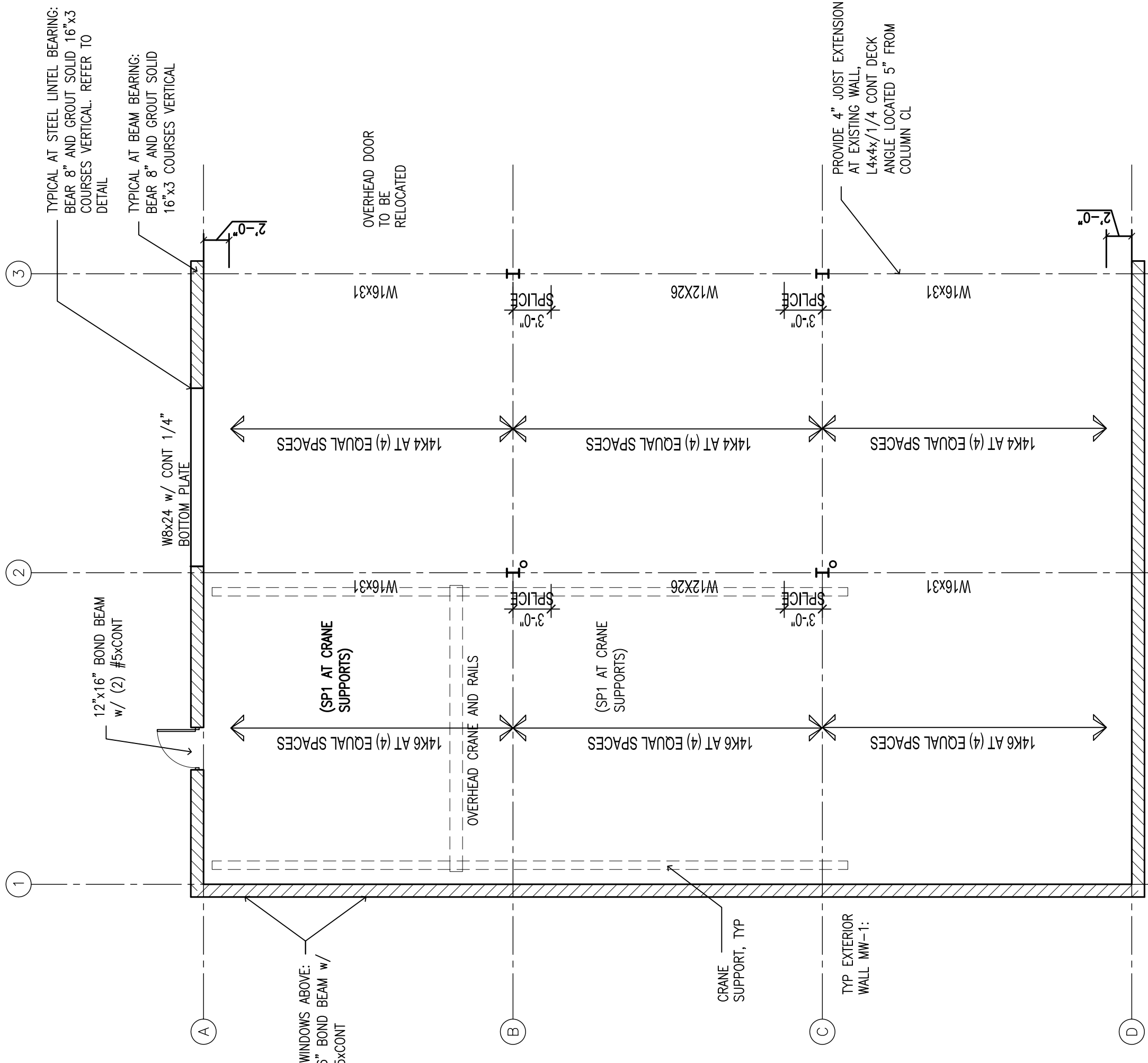
**SHEET TITLE**  
 ELEVATION VIEWS

**SHEET NO.**  
 A200

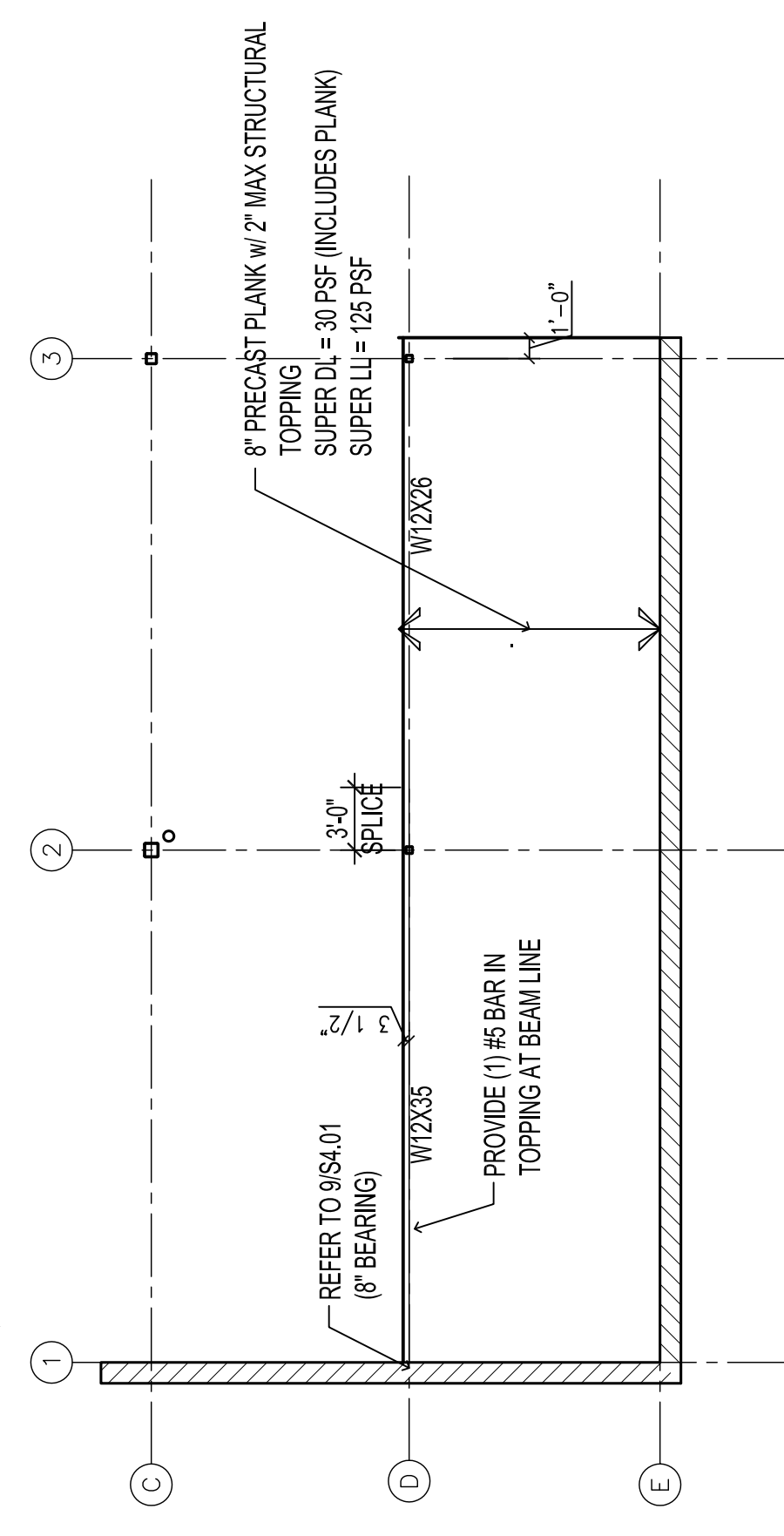


**BUILDING CRANE NOTES:**

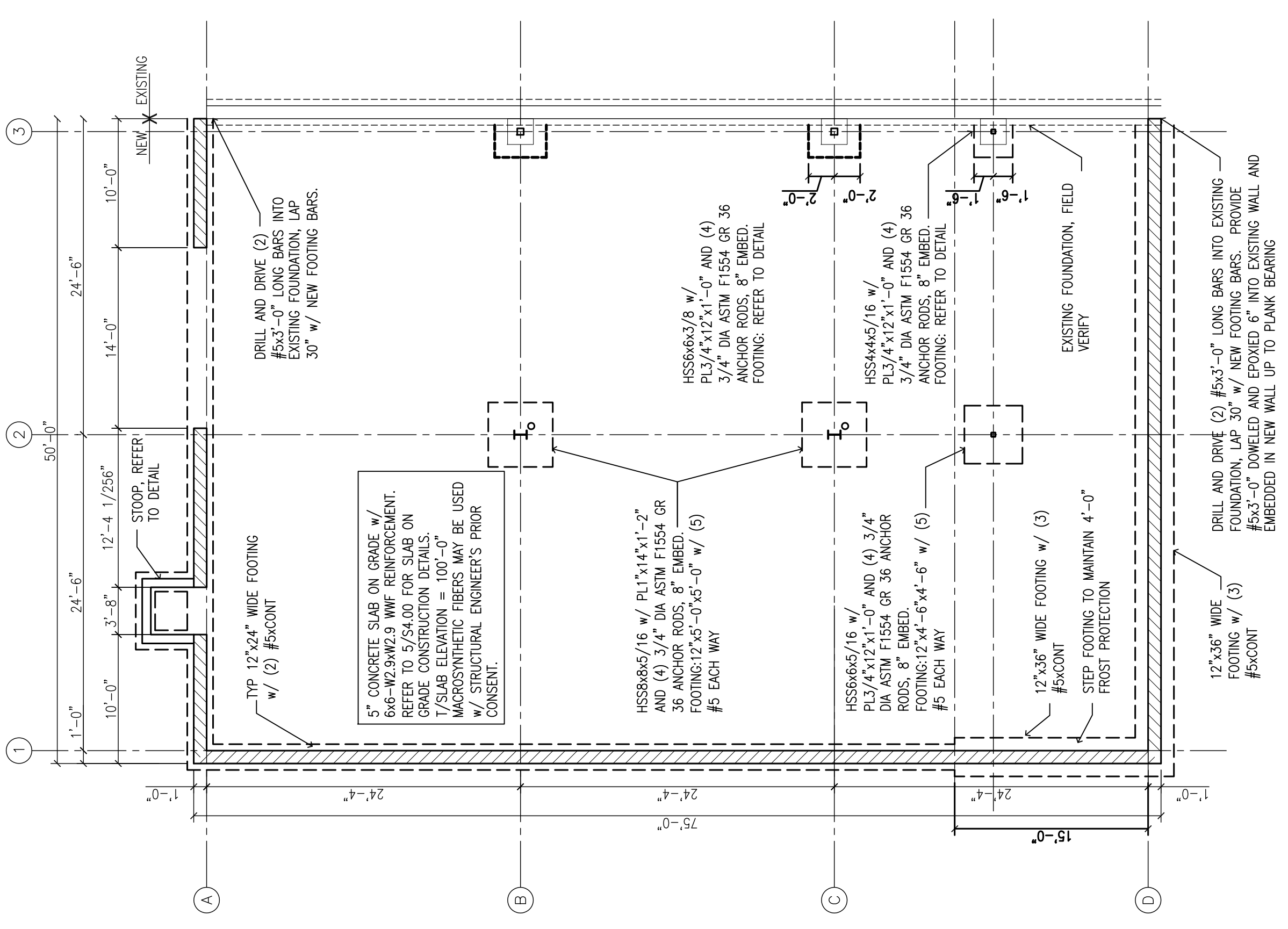
1. ALL BUILDING CRANE COMPONENTS ARE THE RESPONSIBILITY OF THE OWNER.
2. THE BUILDING STRUCTURE HAS BEEN DESIGNED TO ACCOMMODATE CRANE LOADINGS GIVEN AND THE LOCATIONS SHOWN ON THE CONSTRUCTION DOCUMENTS.
3. ANY CRANE SUPPORT LOCATIONS DIFFERING FROM THOSE SHOWN ON THESE CONSTRUCTION DOCUMENTS MAY RESULT IN STRUCTURAL ISSUES.
4. WHERE CRANE POINT LOADS DO NOT OCCUR AT PANEL POINTS, DETAIL 3/S401 MUST BE USED AS A GUIDE UPON CONSULTATION W/ STRUCTURAL ENGINEER.
5. CRANE AND INSTALLATION AND USE OF THE CRANE AND ITS BRACING SHALL NOT IMPART LOADS ON THE STRUCTURE OTHER THAN THOSE SHOWN ON THESE CONSTRUCTION DOCUMENTS.
6. DESIGN IS BASED ON 3 TON RATED CRANE W/ 7' LOW CLEARANCE TO RUNWAY AND BRIDGE WEIGHT.



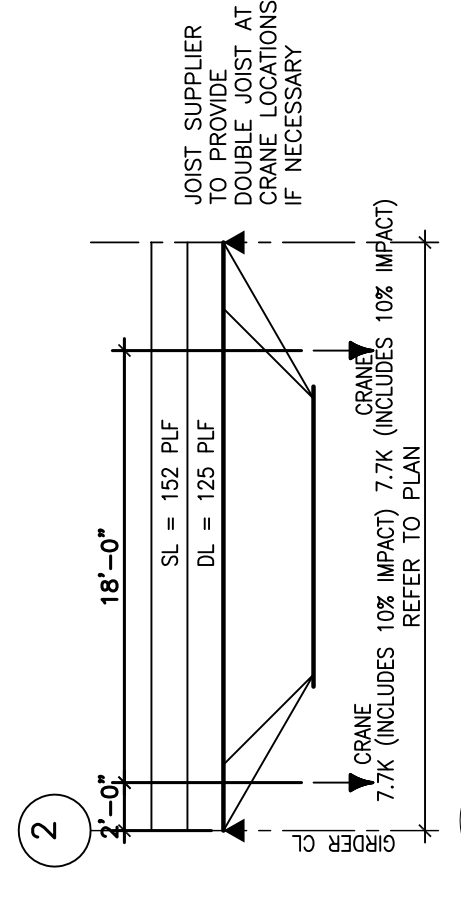
**8 FRAMING PLAN**  
 1/8" = 1'-0"



**10 LOFT FRAMING PLAN**  
 1/8" = 1'-0"



**18 FOUNDATION PLAN**  
 1/8" = 1'-0"



**14KSP1 LOAD DIAGRAM**  
 1/4" = 1'-0"

**REVISIONS**

**CONSTRUCTION DOCUMENTS**

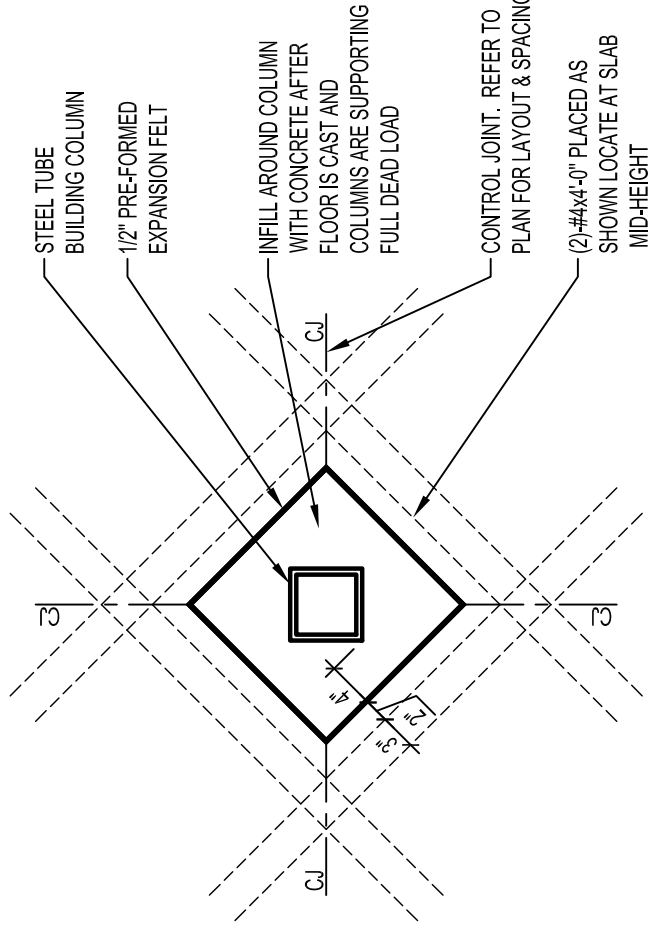
**ISSUE DATE**  
 AUGUST 03, 2014

**PROJECT INFO**  
 HY-TEC COATINGS  
 1415 ELLIS ST  
 WAUKESHA WI

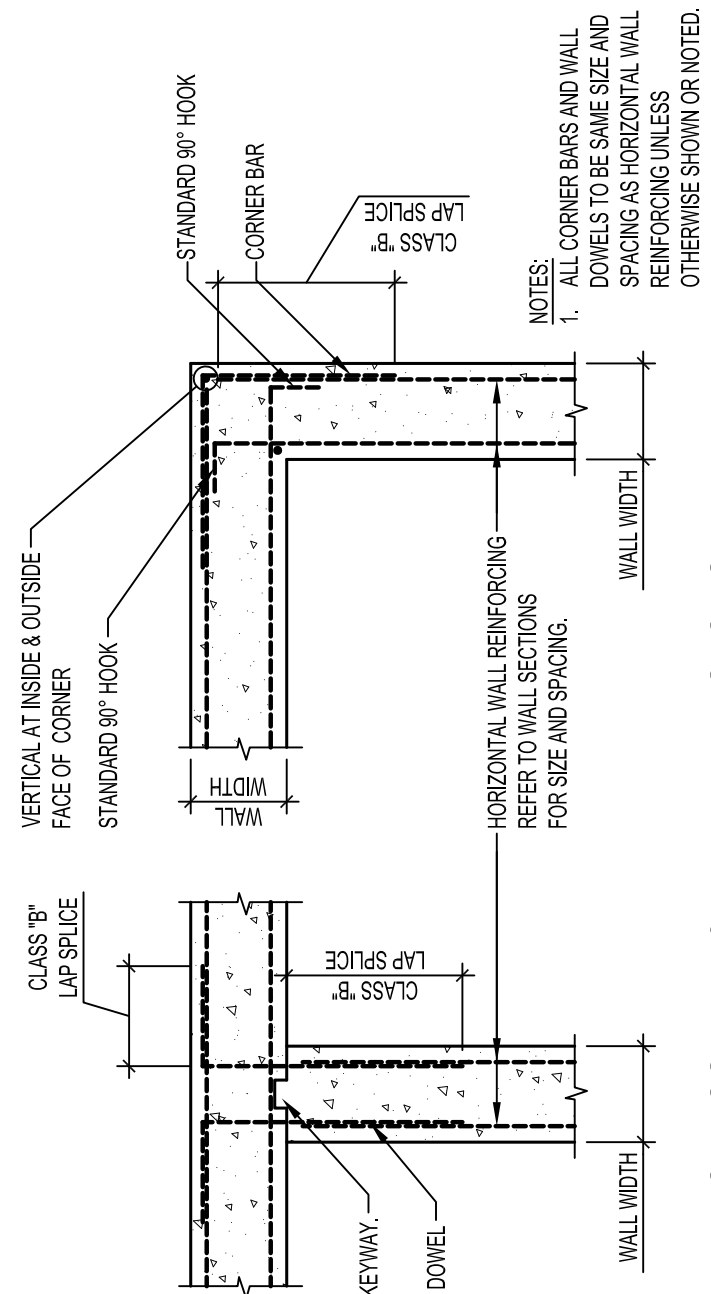
**PROJECT NO.**  
 DS-1302

**SHEET TITLE**  
 FOUNDATION &  
 FRAMING PLAN

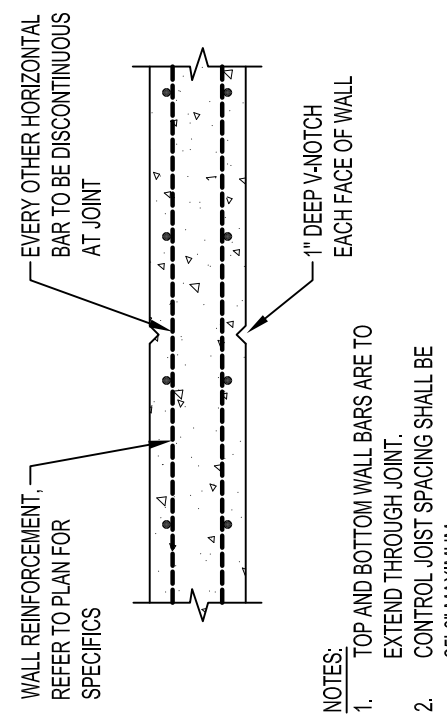
**SHEET NO.**  
 S100



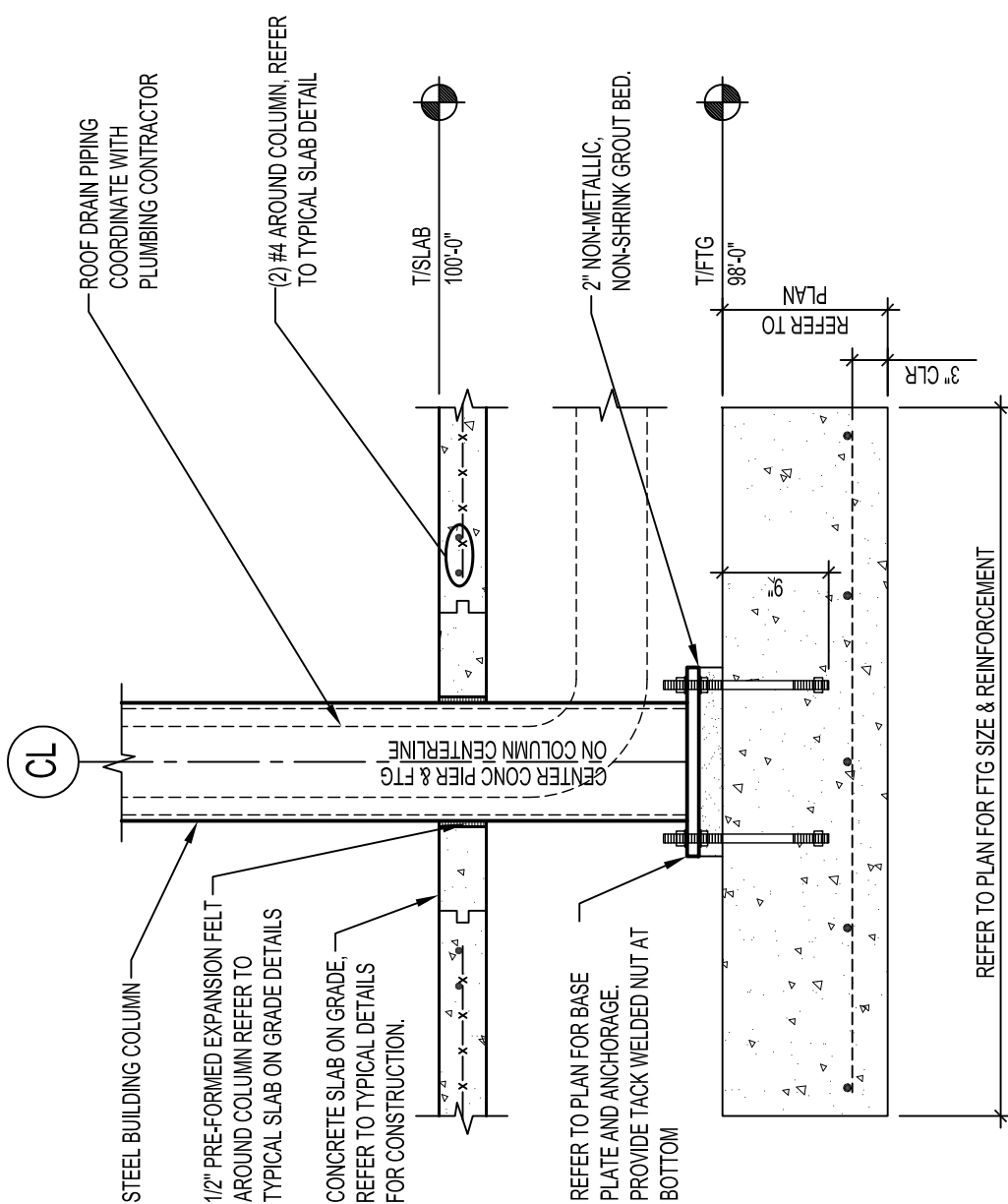
**3** PLAN VIEW AT INTERIOR HSS TUBE BUILDING COLUMN WITH BOX-OUT ISOLATION JOINT  
S400



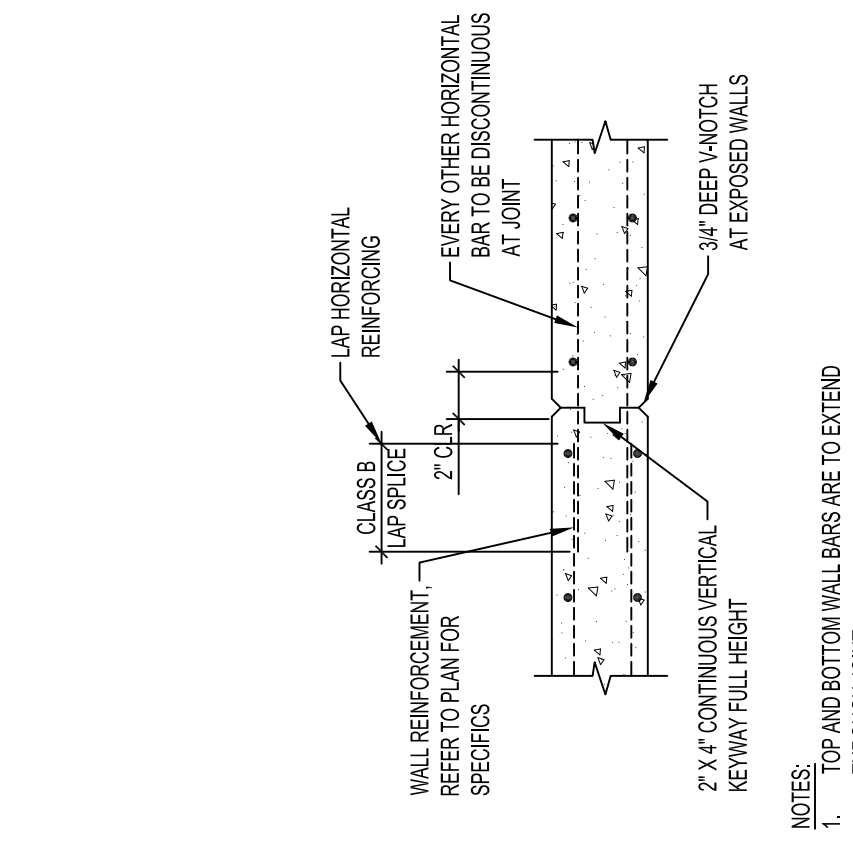
**2** TYPICAL CORNER & WALL INTERSECTION REINFORCEMENT  
S400



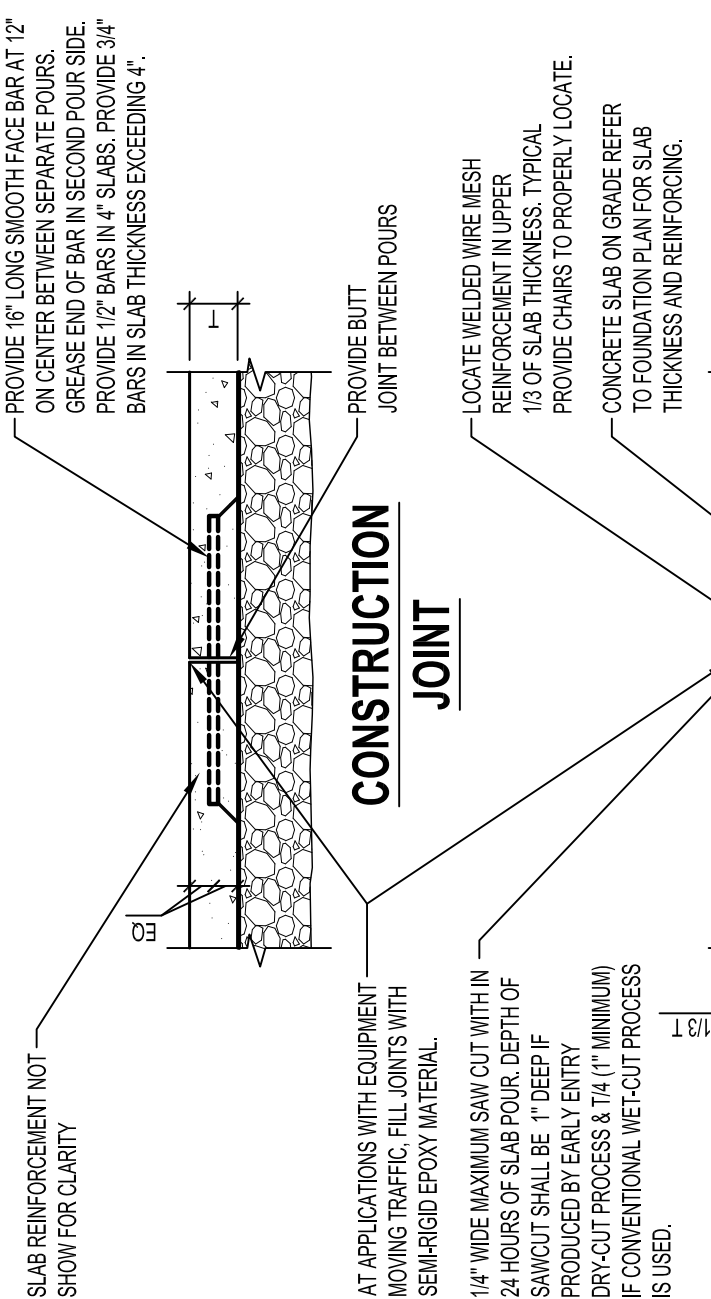
**1** WALL CONTROL JOINT (CJ)  
S400 PLACE CONTROL JOINTS AT 25'-0\"/>



**7** STEEL COLUMN SETTING ON CONCRETE FOOTING AT ROOF DRAIN  
S400



**6** WALL CONSTRUCTION JOINT  
S400 PROVIDE AT THE END OF EACH WALL FOUR



**CONSTRUCTION JOINT**

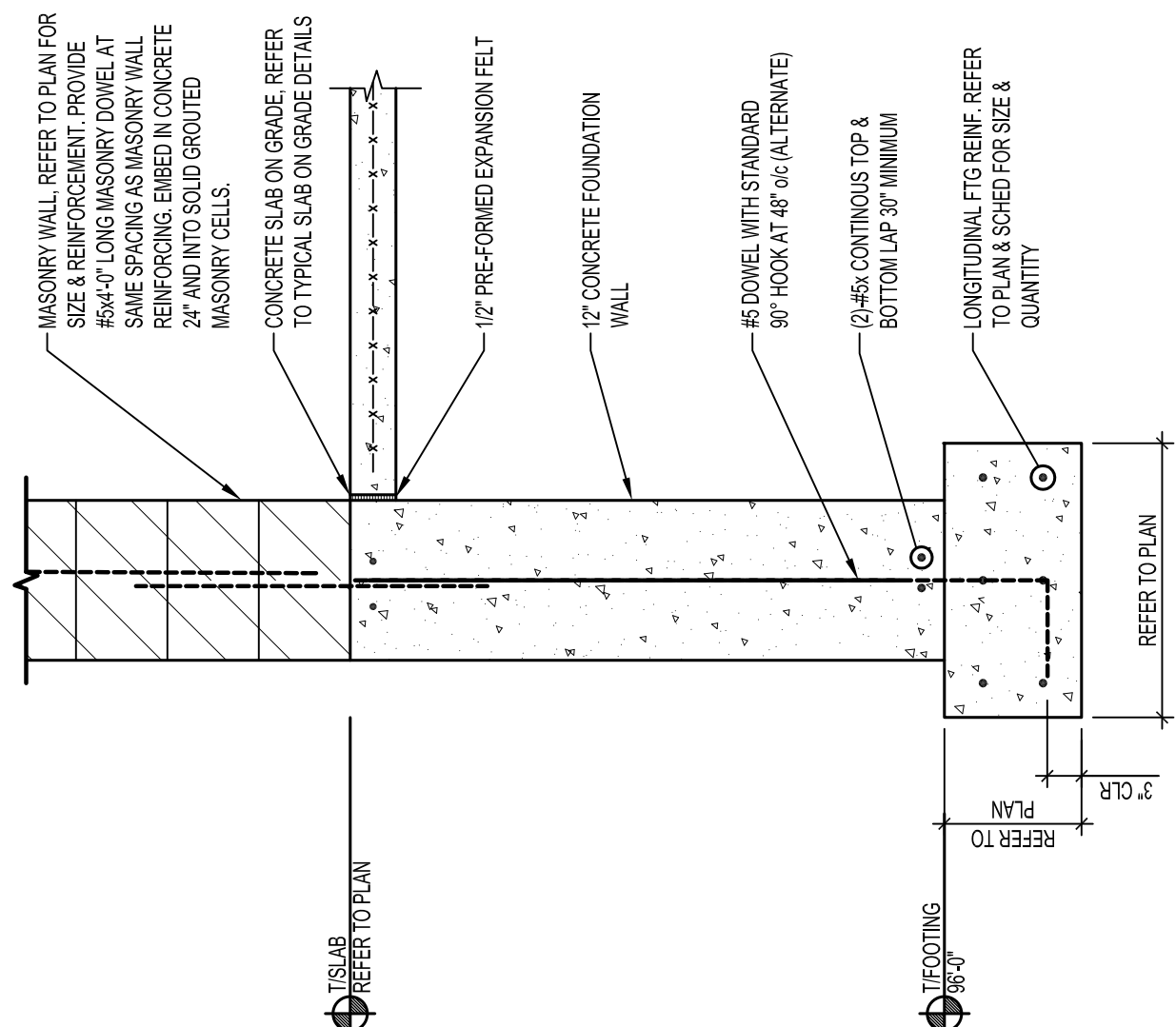
AT APPLICATIONS WITH EQUIPMENT MOVING TRAFFIC, FILL JOINTS WITH SEMIRIGID EPOXY MATERIAL.  
1 1/4\"/>

**CONTROL JOINT**

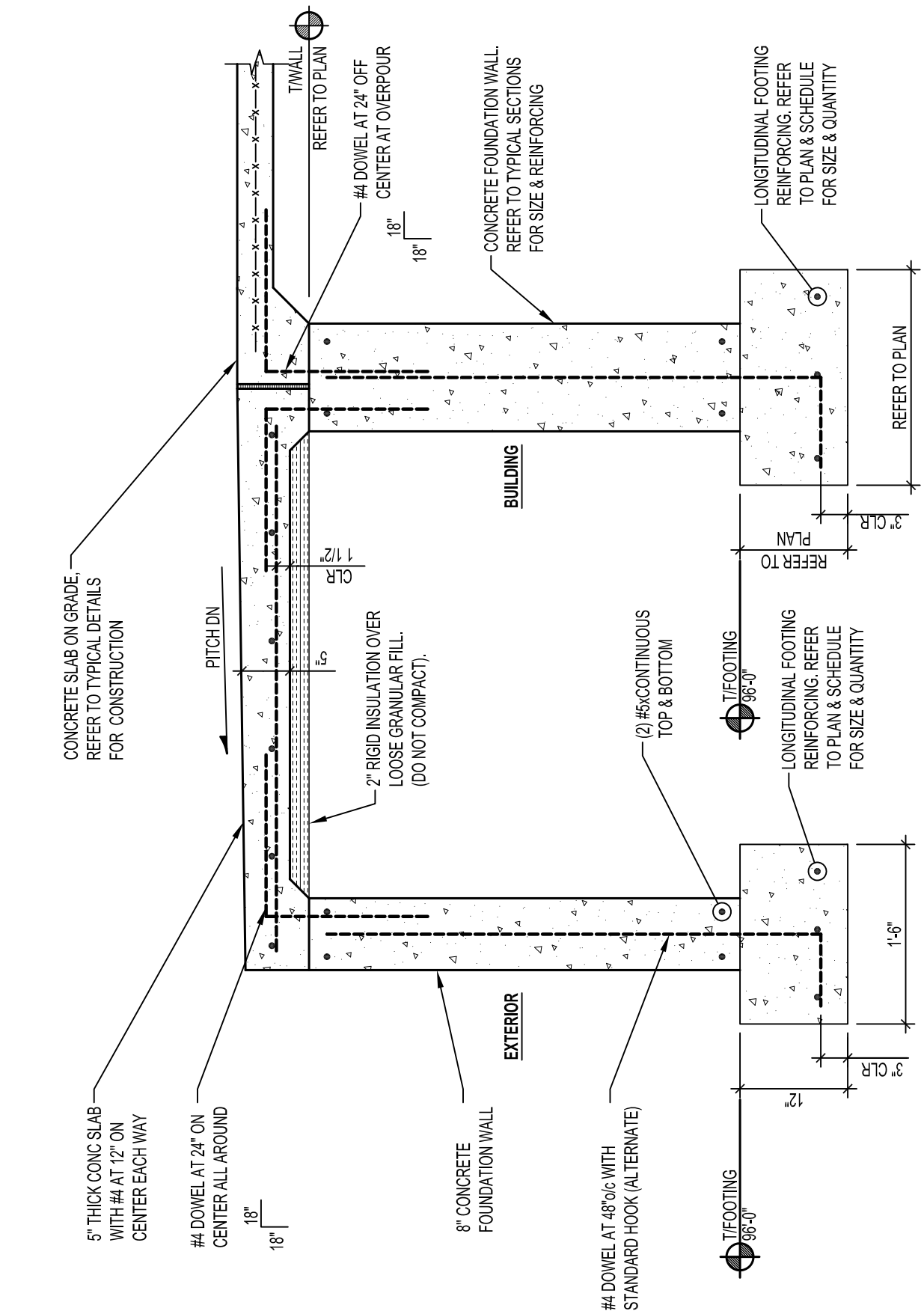
6\"/>

- REFER TO ARCHITECTURAL DRAWINGS FOR ALL FLOOR COATINGS & FINISHES ON SLAB ON GRADE. CONFIRM ALL FLOOR FINISHES WITH GENERAL CONTRACTOR AND OWNER BEFORE APPLICATION. (SEE CLASSIFICATION 2) SEE PROVIDED TABLE FOR SLAB ON GRADE FLOOR FINISHES & RELEASE REQUIREMENTS.
- PROVIDE BOASTERS, CHAIRS, SPACERS, AND OTHER DEVICES FOR SPACING, SUPPORTING, AND FASTENING REINFORCING BARS AND WELDED WIRE MESH REINFORCEMENT IN PLACE AS REQUIRED.
- ALL INTERIOR CONCRETE SLABS ON GRADE SHALL BE EITHER CURED PER ACI RECOMMENDATIONS FOR NO LESS THAN SEVENTEEN DAYS. ALTERNATE CURING PROCESSES/METHODS MAY BE CONSIDERED DEPENDING UPON CONSULT ARCHITECT, ENGINEER, & FLOOR COVERING MANUFACTURER. (EPOXY FLOORS, POLISHED FLOORS, ETC.) BEFORE CONCRETE SLAB IS POURED.
- REFER TO ALL SOIL REPORTS FOR THIS PROJECT FOR ALL SUBBASE PREPARATION REQUIREMENTS & RECOMMENDATIONS AND FOR SUBSCRIPTION OF EXISTING SOIL CONDITIONS. (SEE AGENCIES SYNTHETIC REER REINFORCEMENT ENGINEER & DESIGNED FOR USE IN CONCRETE SLABS ON GRADE COMPLYING WITH ASTM C 1118/C 118M TYPE III, 1 1/2\"/>

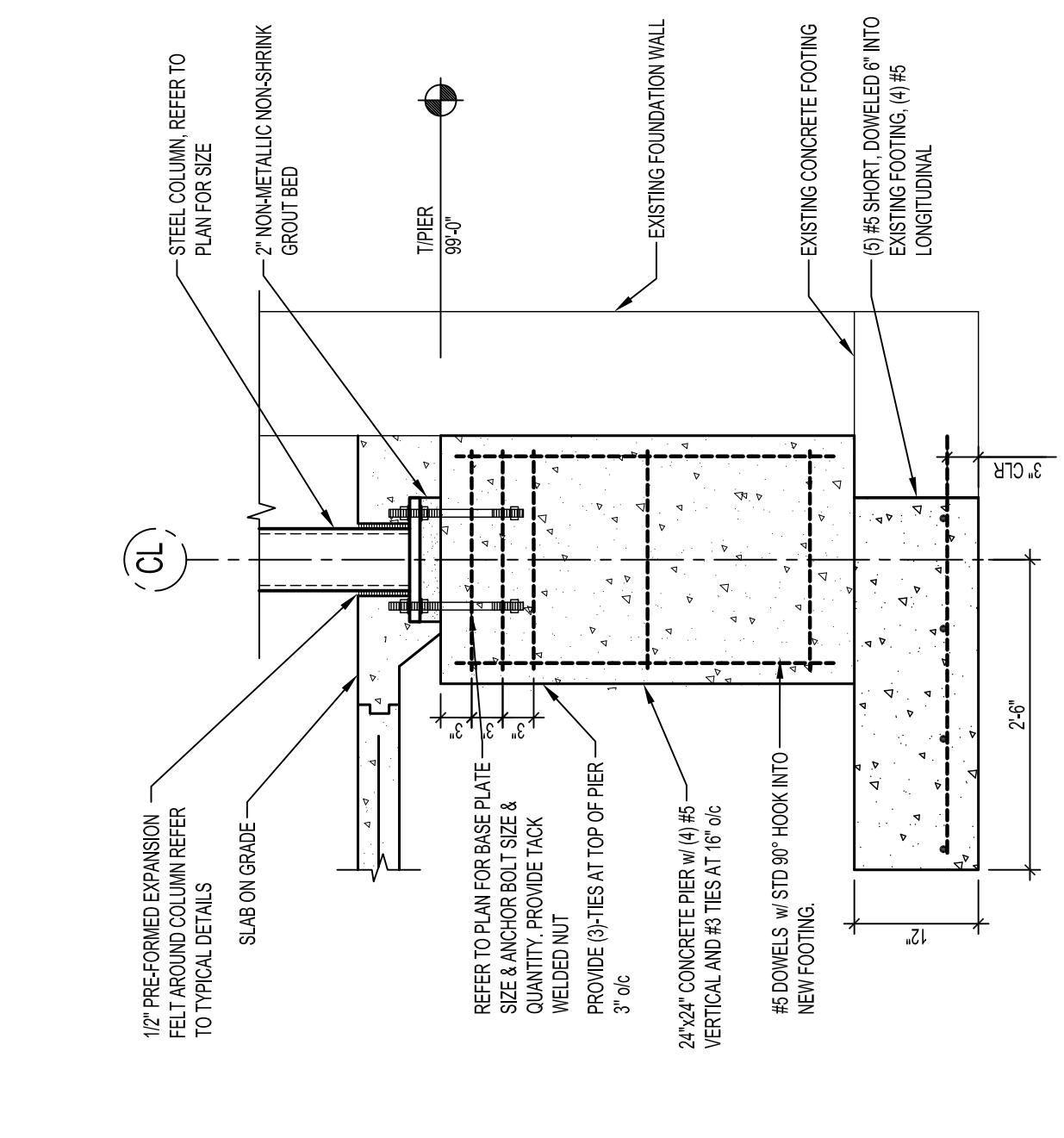
**5** SLAB ON GRADE CONSTRUCTION DETAILS  
S400



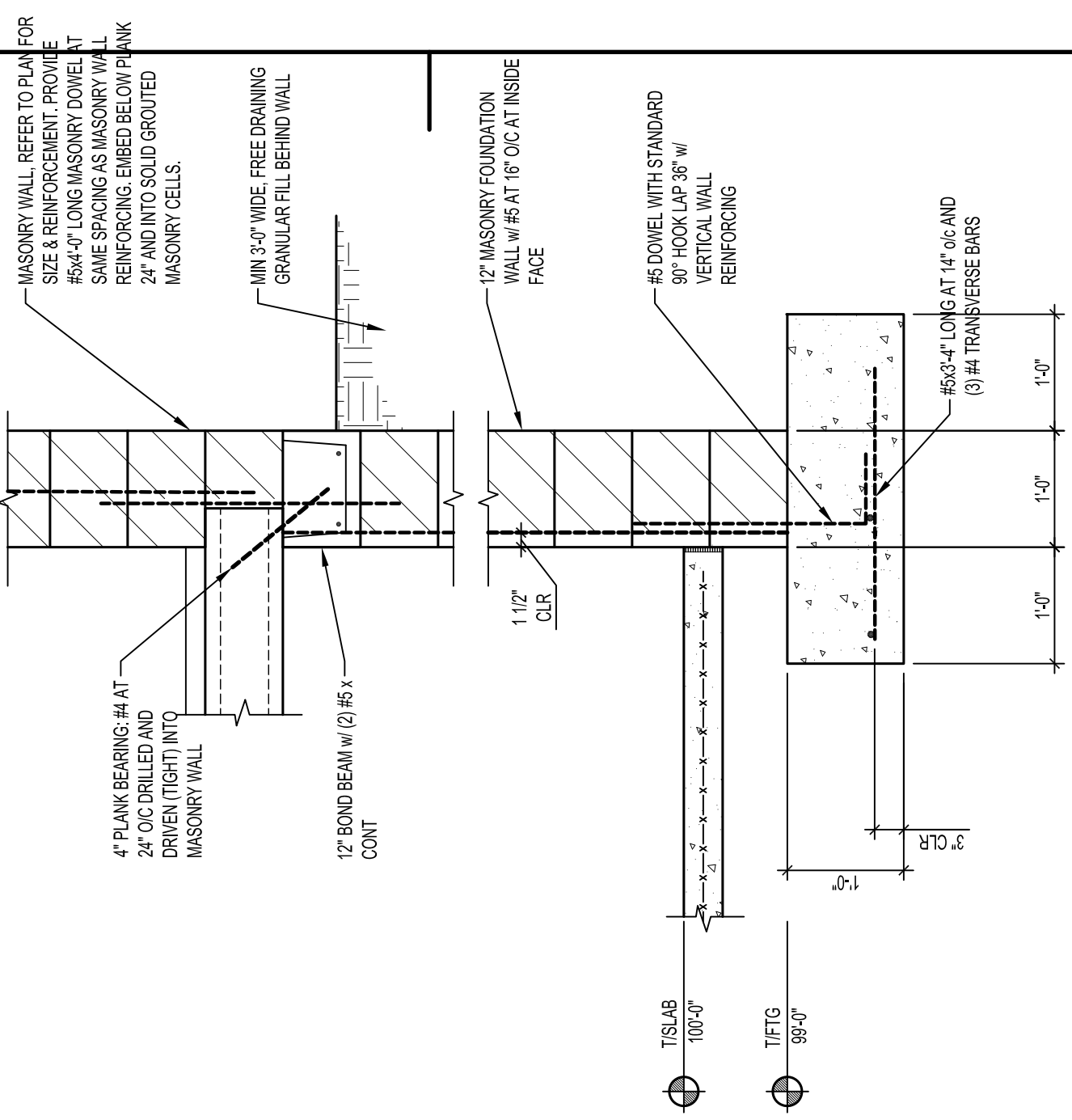
**9** TYPICAL EXTERIOR CONCRETE FOUNDATION WALL  
S400



**10** REINFORCED CONCRETE STOOP SLAB  
S400



**11** STEEL COLUMN SETTING ON PIER AT EXISTING  
S400



**12** EXTERIOR CONCRETE RETAINING WALL  
S400

**REVISIONS**

**CONSTRUCTION DOCUMENTS**

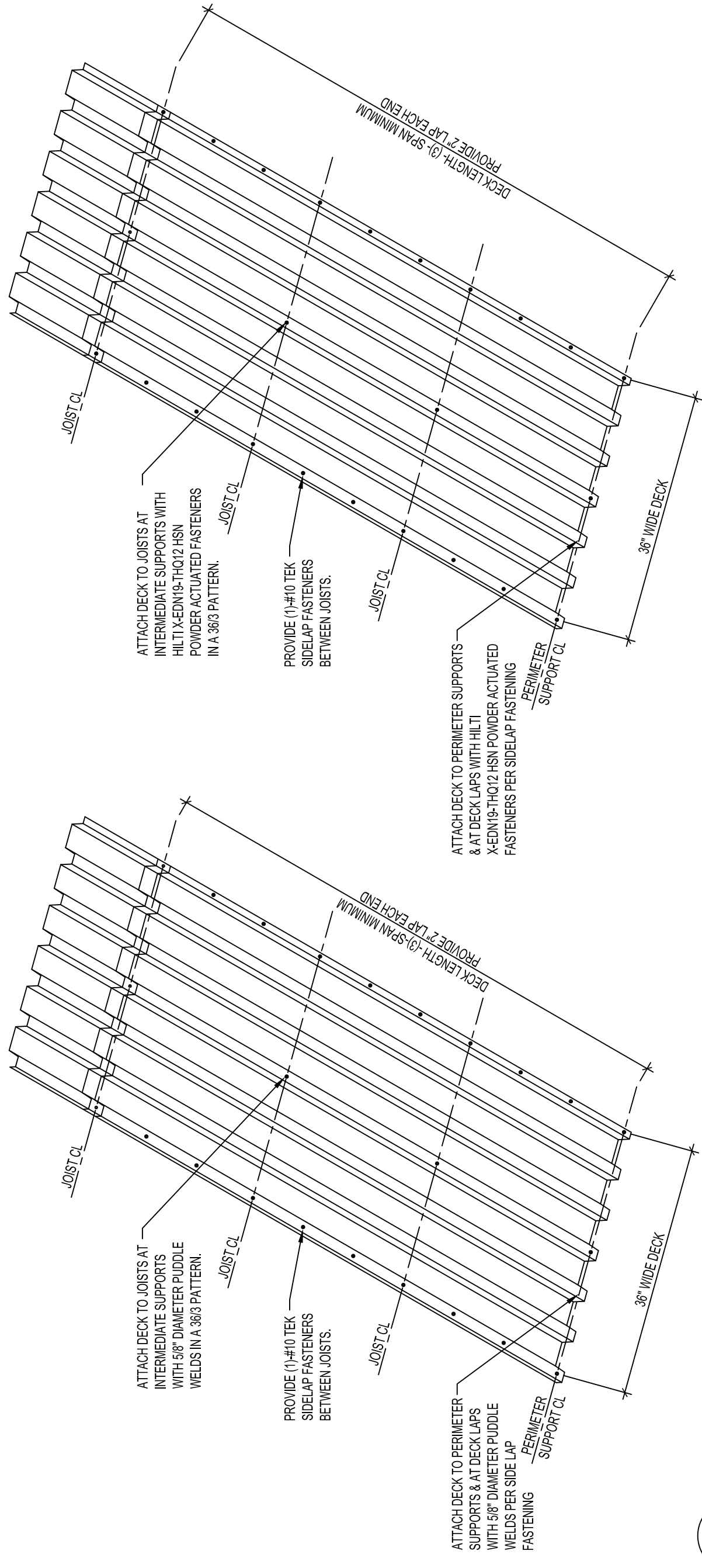
**ISSUE DATE**  
AUGUST 03, 2014

**PROJECT INFO**  
HY-TEC COATINGS  
1415 ELLIS ST  
WAUKESHA WI

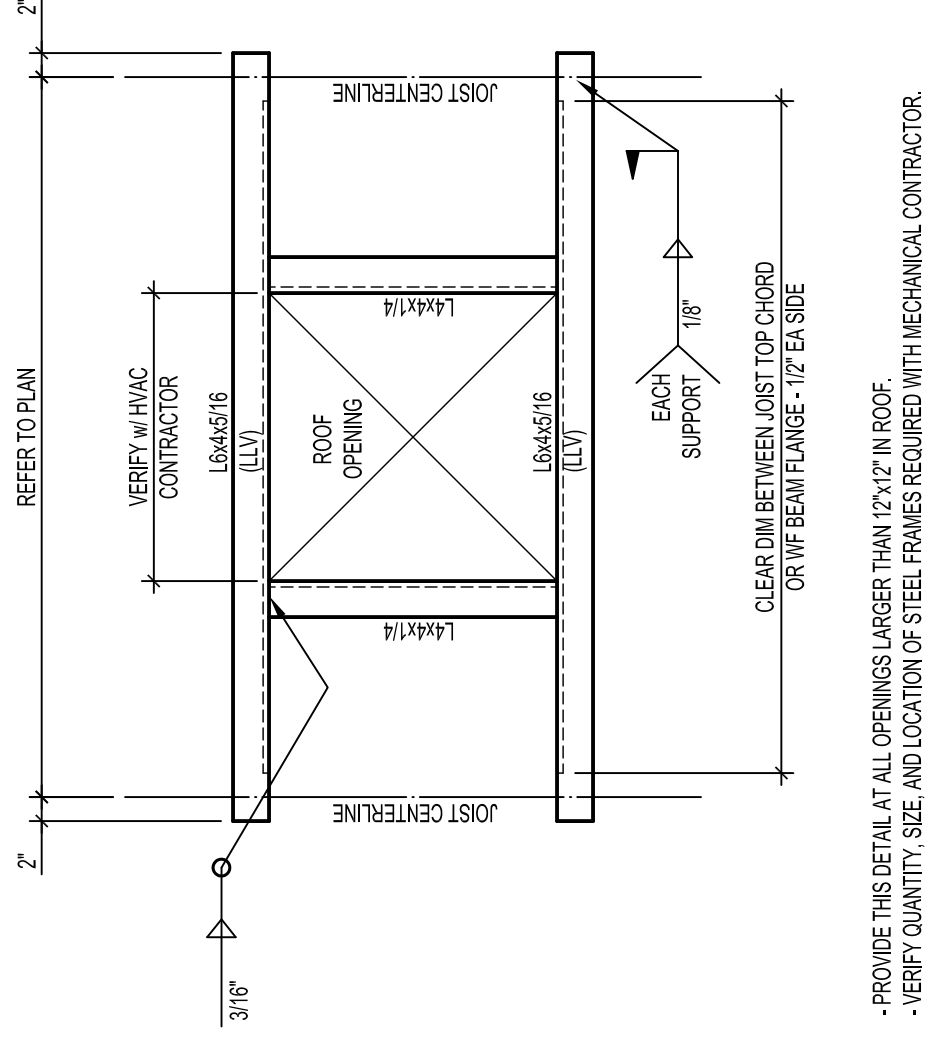
**PROJECT NO.**  
DS-1302

**SHEET TITLE**  
STRUCTURAL  
DETAILS

**SHEET NO.**  
S400

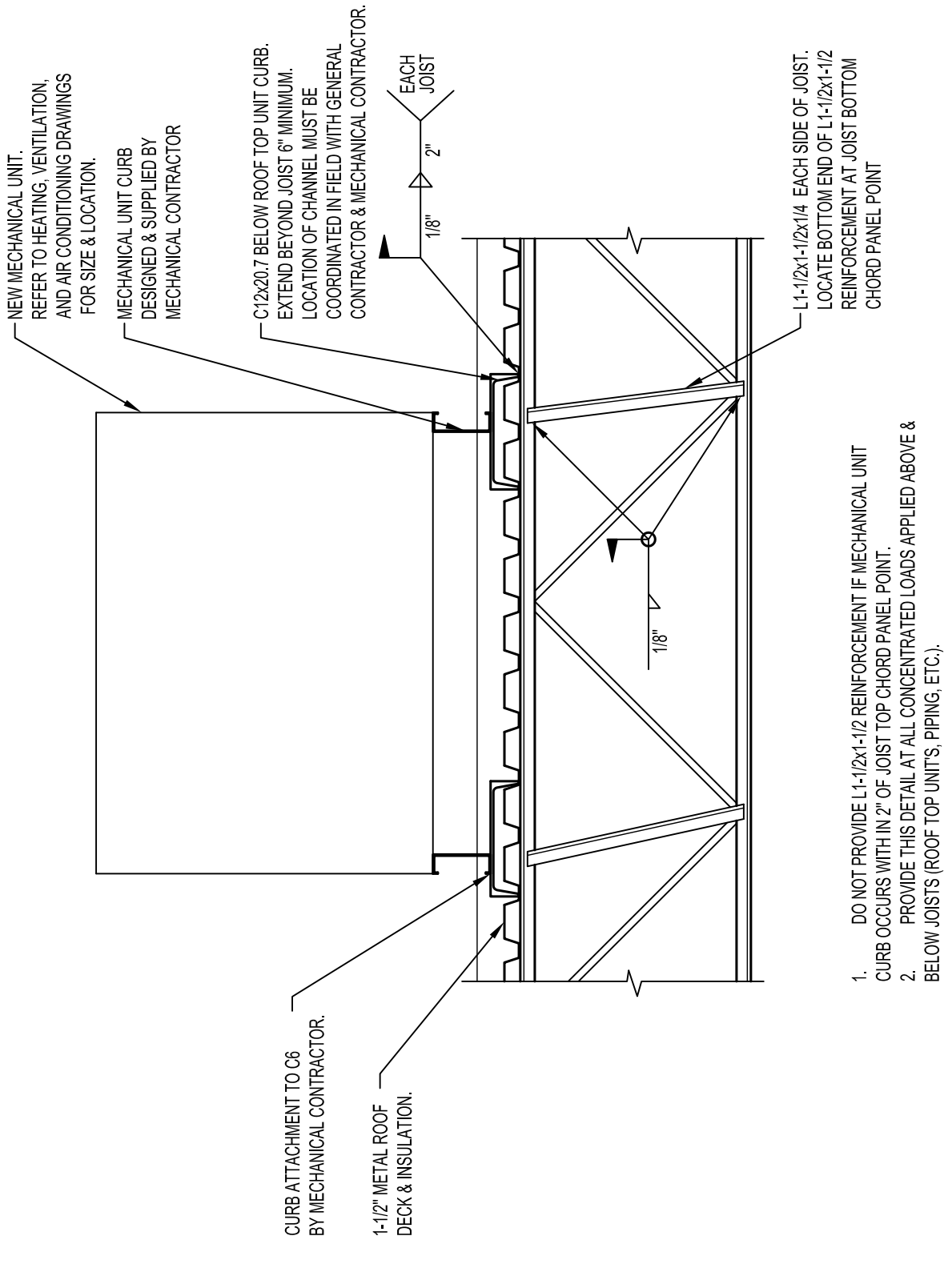


1 ROOF DECK ATTACHMENT DETAIL 36/3 PATTERN  
 S401



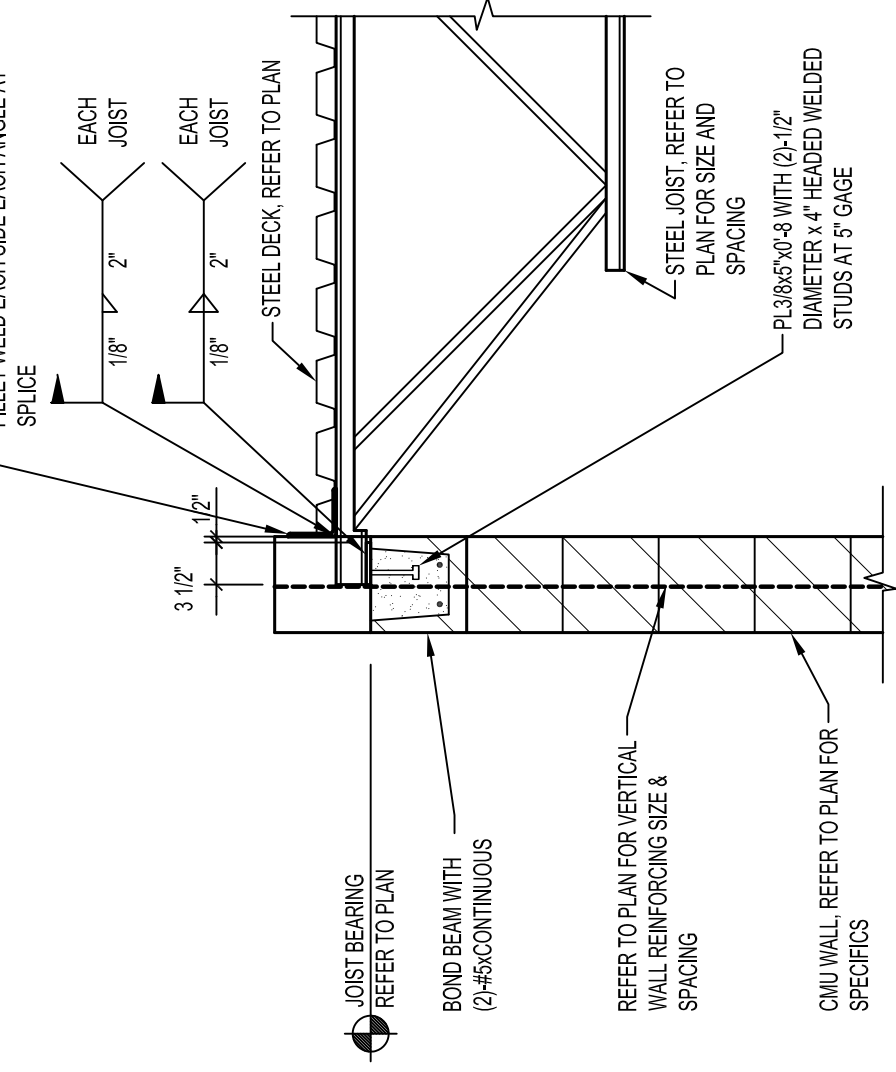
2 STEEL FRAME AT ROOF OPENING  
 S401

PROVIDE THIS DETAIL AT ALL OPENINGS LARGER THAN 12"x12" IN ROOF.  
 - VERIFY QUANTITY, SIZE, AND LOCATION OF STEEL FRAMES REQUIRED WITH MECHANICAL CONTRACTOR.

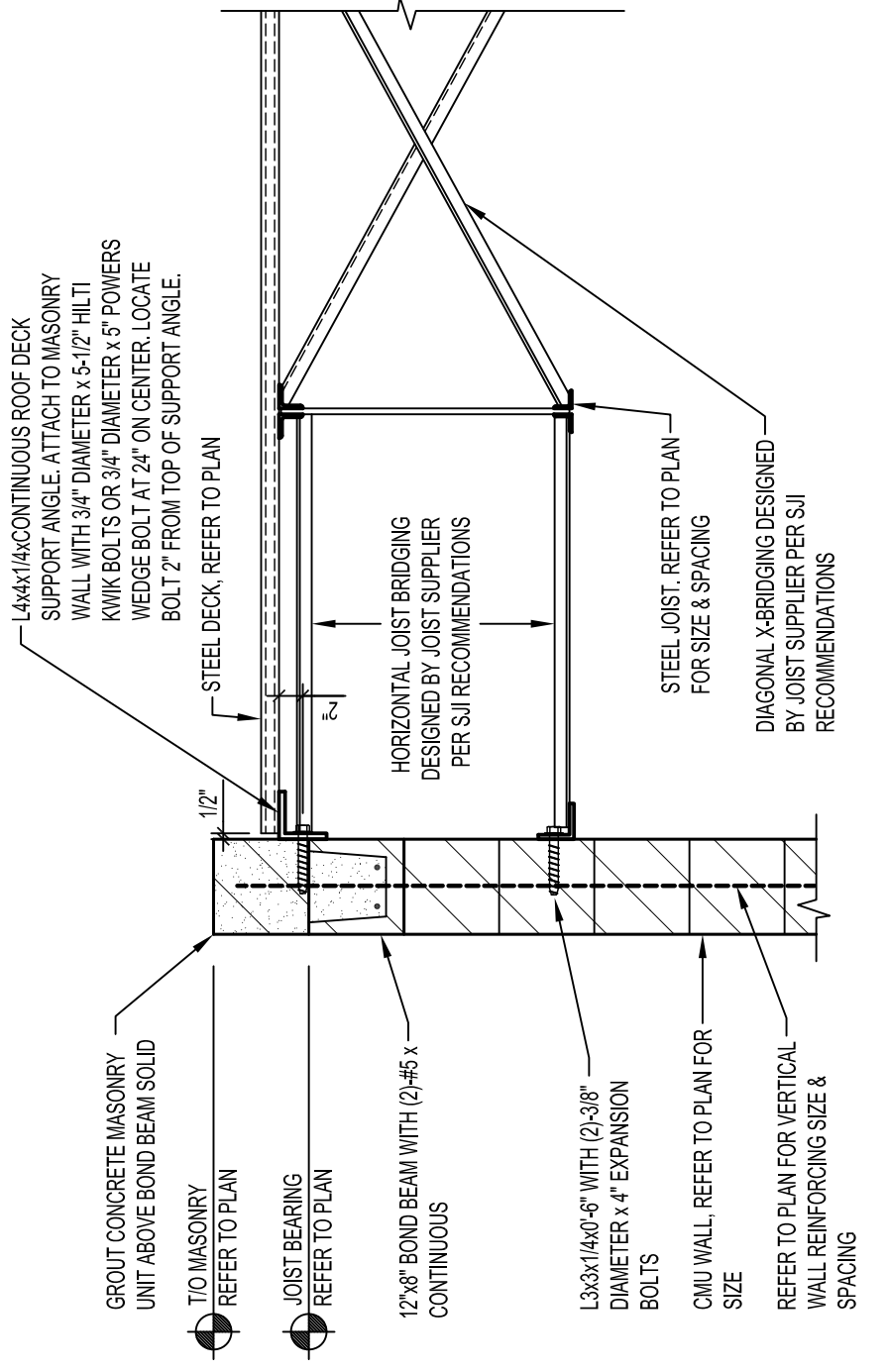


1. DO NOT PROVIDE L1-10x1-1/2 REINFORCEMENT IF MECHANICAL UNIT CURB COORDS WITH 1/2\"/>

3 JOIST REINFORCEMENT AT NEW MECHANICAL EQUIPMENT  
 S401



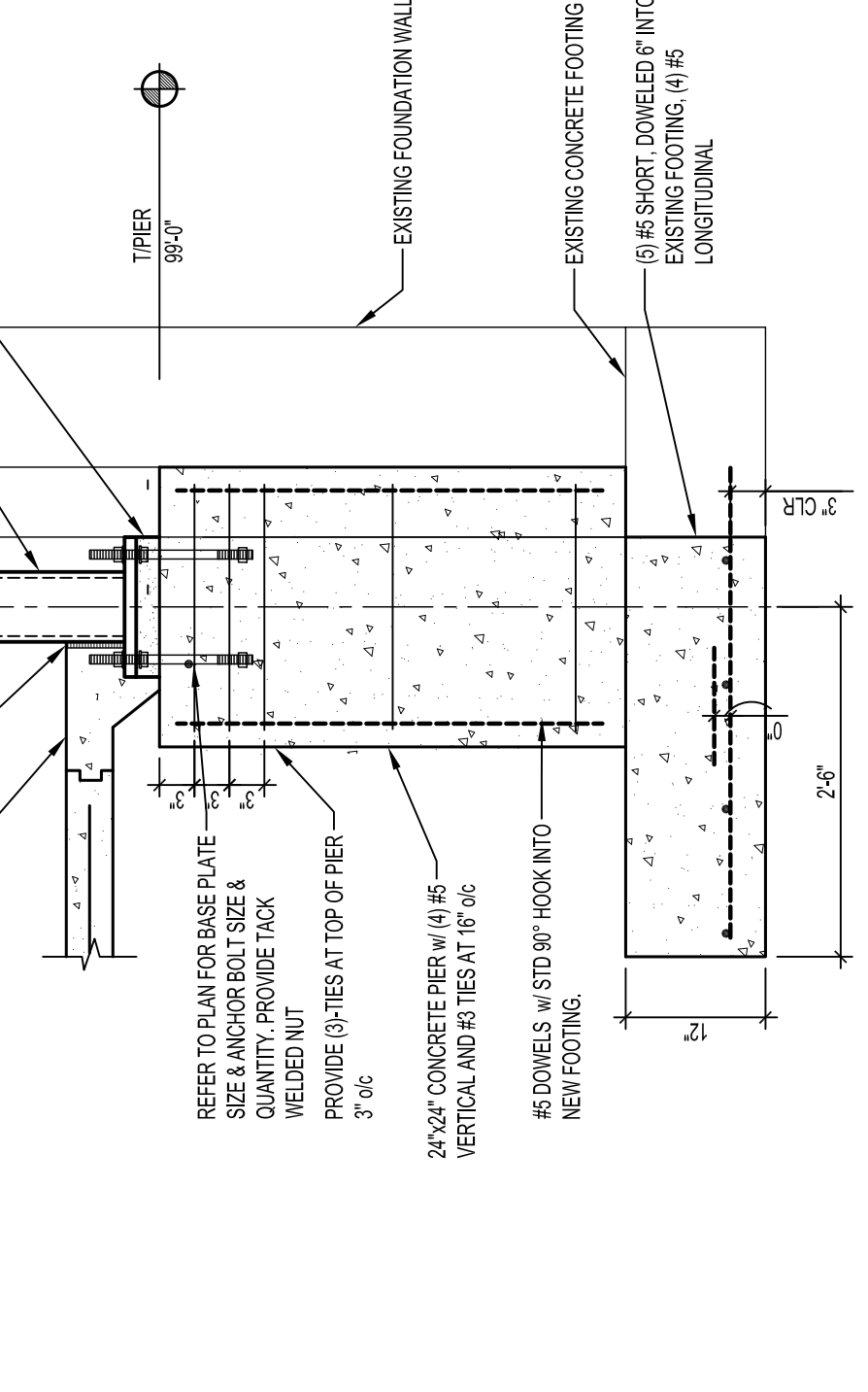
5 SECTION  
 S401



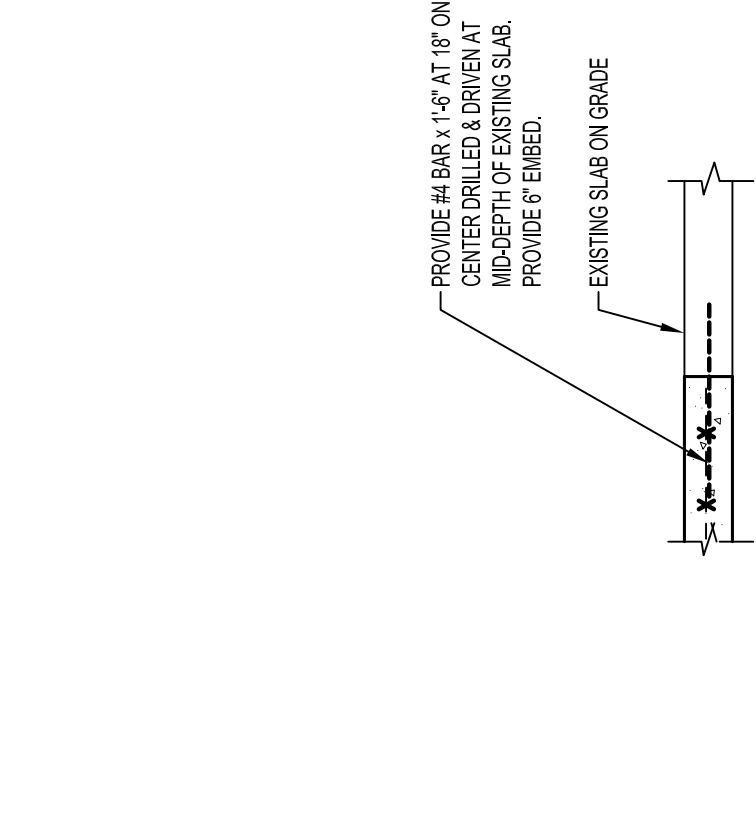
6 SECTION  
 S401

8 JOISTS BEARING ON STEEL BEAM  
 S401

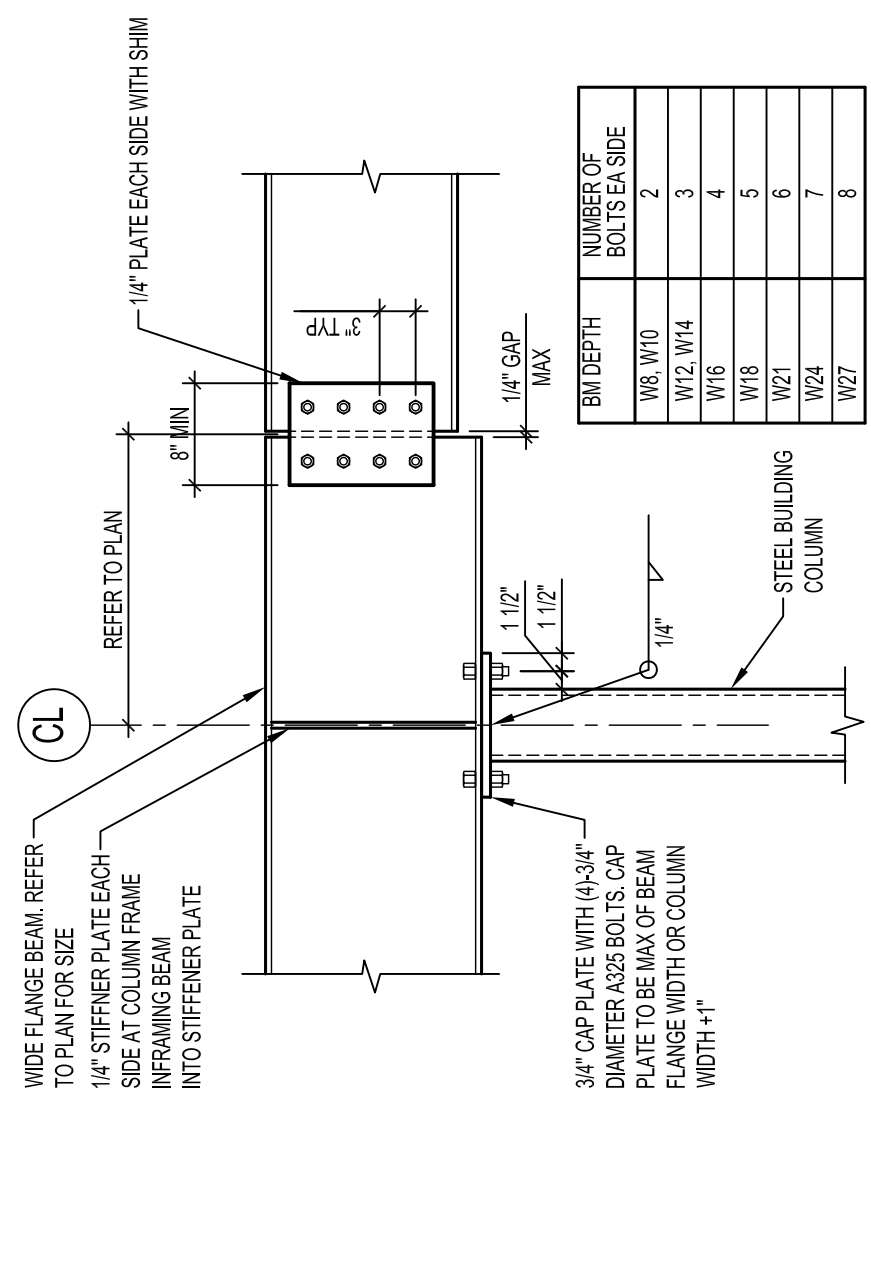
9 LINTEL BEARING PARALLEL TO CMU WALL  
 S401



11 STEEL COLUMN SETTING ON PIER AT EXISTING  
 S401



12 NEW SLAB CONNECTION TO EXISTING  
 S401



13 TYPICAL BEAM SPLICE DETAIL  
 S401

REVISIONS

CONSTRUCTION DOCUMENTS

ISSUE DATE  
 AUGUST 03, 2014

PROJECT INFO  
 HY-TEC COATINGS  
 1415 ELLIS ST  
 WAUKESHA WI

PROJECT NO.  
 DS-1302

SHEET TITLE  
 STRUCTURAL  
 DETAILS

SHEET NO.  
 S401