

GENERAL NOTES

- REFER TO THE EXISTING CONDITIONS SURVEY FOR EXISTING CONDITIONS NOTES AND LEGENDS.
- ALL WORK IN THE ROW SHALL BE IN ACCORDANCE WITH THE STANDARD SPECIFICATIONS FOR SEWER & WATER CONSTRUCTION IN WISCONSIN, LATEST EDITION AND CITY OF WAUKESHA REQUIREMENTS.
- NO SITE GRADING OUTSIDE OR DOWNSLOPE OF PROPOSED SILT FENCE LOCATION. NO LAND DISTURBANCE BEYOND PROPERTY LINES UNLESS OTHERWISE SHOWN.
- THIS PROJECT HAS BEEN DESIGNED AND WILL BE CONSTRUCTED IN COMPLIANCE WITH ALL OF THE WDNR WRAPP PERMIT APPLICATION STANDARDS.
- JSD SHALL BE HELD HARMLESS AND DOES NOT WARRANT ANY DEVIATIONS BY THE OWNER/CONTRACTOR FROM THE APPROVED CONSTRUCTION PLANS THAT MAY RESULT IN DISCIPLINARY ACTIONS BY ANY OR ALL REGULATORY AGENCIES.

DEMOLITION NOTES

- THIS PLAN INDICATES ITEMS ON THE PROPERTY INTENDED FOR DEMOLITION BASED ON THE CURRENT SITE DESIGN THAT HAVE BEEN IDENTIFIED BY A REASONABLE OBSERVATION OF THE EXISTING CONDITIONS THROUGH FIELD SURVEY RECONNAISSANCE, "DIGGERS HOTLINE" LOCATION, AND GENERAL "STANDARD OF CARE". THERE MAY BE ADDITIONAL ITEMS THAT CAN NOT BE IDENTIFIED BY A REASONABLE ABOVE GROUND OBSERVATION, OF WHICH THE ENGINEER WOULD HAVE NO KNOWLEDGE OR MAY BE A PART OF ANOTHER DESIGN DISCIPLINE. IT IS THE CONTRACTOR'S/BIDDER'S RESPONSIBILITY TO REVIEW THE PLANS, INSPECT THE SITE AND PROVIDE HIS OWN DUE DILIGENCE TO INCLUDE IN HIS BID WHAT ADDITIONAL ITEMS, IN HIS OPINION, MAY BE NECESSARY FOR DEMOLITION. ANY ADDITIONAL ITEMS IDENTIFIED BY THE CONTRACTOR/BIDDER SHALL BE IDENTIFIED IN THE BID AND REPORTED TO THE ENGINEER OF RECORD. JSD TAKES NO RESPONSIBILITY FOR ITEMS ON THE PROPERTY THAT COULD NOT BE LOCATED BY A REASONABLE OBSERVATION OF THE PROPERTY OR OF WHICH THEY WOULD HAVE NO KNOWLEDGE.
- CONTRACTOR SHALL KEEP ALL STREETS AND PRIVATE DRIVES FREE AND CLEAR OF ALL CONSTRUCTION RELATED DIRT, DUST AND DEBRIS.
- ALL TREES WITHIN THE CONSTRUCTION LIMITS SHALL BE REMOVED UNLESS SPECIFICALLY CALLED OUT FOR PROTECTION. ALL TREES TO BE REMOVED SHALL BE REMOVED IN THEIR ENTIRETY AND STUMPS SHALL BE GROUND TO PROPOSED SUBGRADE.
- ALL LIGHT POLES TO BE REMOVED SHALL BE REMOVED IN THEIR ENTIRETY, INCLUDING BASE AND ALL APPURTENANCES. SALVAGE FOR RELOCATION. COORDINATE RELOCATION AND/OR ABANDONMENT OF ALL ELECTRIC LINES WITH ELECTRICAL ENGINEER AND OWNER PRIOR TO DEMOLITION.
- ABANDONED/REMOVED ITEMS SHALL BE DISPOSED OF OFF SITE UNLESS OTHERWISE NOTED.
- CONTRACTOR TO REPLACE ALL SIDEWALK AND CURB AND GUTTER ABUTTING THE PROPERTIES, WHICH IS DAMAGED BY THE CONSTRUCTION, OR ANY SIDEWALK AND CURB AND GUTTER THAT THE CITY ENGINEER DETERMINES NEEDS TO BE REPLACED BECAUSE IT IS NOT AT A DESIRABLE GRADE REGARDLESS OF WHETHER THE CONDITION EXISTED PRIOR TO BEGINNING CONSTRUCTION.
- PRIOR TO CONSTRUCTION, THE CONTRACTOR IS RESPONSIBLE FOR:
 - EXAMINE ALL SITE CONDITIONS RELATIVE TO THE CONDITIONS INDICATED ON THE ENGINEERING DRAWINGS. ANY DISCREPANCIES ARE TO BE REPORTED IMMEDIATELY TO THE ENGINEER AND RESOLVED PRIOR TO THE START OF CONSTRUCTION.
 - VERIFYING UTILITY ELEVATIONS AND NOTIFYING ENGINEER OF ANY DISCREPANCIES. NO WORK SHALL BE PERFORMED UNTIL THE DISCREPANCIES ARE RESOLVED.
 - NOTIFYING ALL UTILITIES PRIOR TO THE REMOVAL OF ANY UNDERGROUND UTILITIES.
 - NOTIFYING THE DESIGN ENGINEER AND LOCAL CONTROLLING MUNICIPALITY 48 HOURS PRIOR TO THE START OF CONSTRUCTION TO ARRANGE FOR APPROPRIATE CONSTRUCTION INSPECTION.
- ANY SANITARY SEWER, SANITARY SEWER SERVICES, WATER MAIN, WATER SERVICES, STORM SEWER, OR OTHER UTILITIES, WHICH ARE DAMAGED BY THE CONTRACTORS, SHALL BE REPAIRED TO THE OWNER'S SATISFACTION AT THE CONTRACTOR'S EXPENSE.
- CONTRACTOR IS RESPONSIBLE FOR SITE SAFETY DURING THE CONSTRUCTION OF THESE IMPROVEMENTS.
- CONTRACTOR TO COORDINATE PRIVATE UTILITY REMOVAL / ABANDONMENT AND NECESSARY RELOCATION WITH RESPECTIVE UTILITY COMPANY. COORDINATION REQUIRED PRIOR TO CONSTRUCTION.
- ALL DEMOLITION SHALL BE IN ACCORDANCE WITH THE APPROVED MUNICIPALITY RECYCLING PLAN.
- ANY CONTAMINATED SOILS SHALL BE REMOVED IN ACCORDANCE WITH FEDERAL AND STATE REGULATIONS TO AN APPROVED LANDFILL.
- ALL EXISTING UTILITIES TO BE FIELD LOCATED AND FLAGGED BY CONTRACTOR.
- EXISTING FIBER OPTIC LINE TO BE CLEARLY MARKED PRIOR TO ANY EXCAVATION. CONTRACTOR TO NOTIFY ENGINEER IMMEDIATELY IF ANY DISCREPANCIES OCCUR IN THE LOCATION SHOWN OR PROPOSED IMPROVEMENTS IMPACTING EXISTING FIBER OPTIC LINE LOCATION.
- SEWER ABANDONMENT SHALL BE IN ACCORDANCE WITH SECTION 3.2.24, OF THE STANDARD SPECIFICATIONS FOR WATER AND SEWER CONSTRUCTION IN WISCONSIN, LATEST ADDITION, AND CITY OF WAUKESHA SPECIFICATIONS.
- WATER ABANDONMENT SHALL BE IN ACCORDANCE WITH SECTION 4.14.0 OF THE STANDARD SPECIFICATIONS FOR WATER AND SEWER CONSTRUCTION IN WISCONSIN, LATEST ADDITION, AND CITY OF WAUKESHA SPECIFICATIONS.
- ALL PERIMETER EROSION CONTROL DEVICES SHALL BE INSTALLED PRIOR TO THE START OF DEMOLITION ACTIVITIES. CONTRACTOR SHALL KEEP ALL STREETS AND PAVEMENT FREE AND CLEAR OF ALL CONSTRUCTION RELATED DIRT, DUST AND DEBRIS.
- BUILDING REMOVALS SHALL BE BY A QUALIFIED CONTRACTOR. CONTRACTOR TO FOLLOW ALL DEMOLITION REGULATIONS, DISCONNECT ALL UTILITIES, OBTAIN ALL APPLICABLE PERMITS AND DISPOSE OF ALL BUILDING MATERIALS IN APPROPRIATE LANDFILLS. DEMOLISHED MATERIALS SHALL NOT BE BURIED ON SITE. IF ENCOUNTERED, ANY CONTAMINATED SOILS SHALL BE REMOVED TO A LANDFILL IN ACCORDANCE WITH APPROPRIATE STATE AND FEDERAL REGULATIONS.
- CONTRACTOR TO REMOVE EXISTING UTILITY PIPE OR PROVIDE PIPE BACK-FILLING AFTER REMOVAL OF EXISTING UTILITIES WITHIN BUILDING FOOTPRINT USING "LOW DENSITY CONCRETE/FLOWABLE FILL".
- RESTORATION OF THE EXISTING ROADWAY RIGHT-OF-WAYS ARE CONSIDERED INCIDENTAL AND SHOULD BE PART OF THE COST OF THE UNDERGROUND IMPROVEMENTS, DEMOLITION AND REMOVAL. THIS INCLUDES CURB & GUTTER, SIDEWALK, TOPSOIL, SEEDING AND MULCHING.
- WELL ABANDONMENT SHALL BE IN ACCORDANCE WITH WDNR AND LOCAL REGULATIONS. PROVIDE A COMPLETE RECORD OF CLOSURE (WDNR PERMIT 3300-005) COMPLETED BY A CONTRACTOR LICENSED TO PERFORM THAT WORK. CONTRACTOR SHALL SUBMIT DOCUMENTATION TO THE CITY OF WAUKESHA FOR CITY RECORDS.
- THIS SITE WAS IDENTIFIED AS A CLOSED LEAKING UNDERGROUND STORAGE TANK (LUST) SITE. IF THE CONTRACTOR IDENTIFIES POTENTIALLY CONTAMINATED SOILS, THEY SHALL STOP WORK AND NOTIFY THE OWNER'S CONSTRUCTION REPRESENTATIVE. CONTAMINATED SOIL, IF ENCOUNTERED, SHALL BE MANAGED AND REMOVED IN ACCORDANCE WITH STATE AND FEDERAL REQUIREMENTS. COPIES OF ALL DISPOSABLE MANIFESTS SHALL BE PROVIDED TO THE OWNER.
- CONTRACTOR SHALL FAMILIARIZE THEMSELVES WITH THIS PHASE I ESA PROVIDED BY THE OWNER.



CREATE THE VISION TELL THE STORY

MADISON | MILWAUKEE
KENOSHA | APPLETON | WAUSAU

MADISON REGIONAL OFFICE
161 HORIZON DRIVE, SUITE 101
VERONA, WISCONSIN 53593
P. 608.848.5060

CLIENT:
SUMMIT CREDIT UNION

CLIENT ADDRESS:
**4800 American Parkway
MADISON, WI 53718**

PROJECT:
SUMMIT CREDIT UNION - WAUKESHA BRANCH

PROJECT LOCATION:
**2208 E MORELAND BOULEVARD
WAUKESHA COUNTY**

PLAN MODIFICATIONS:

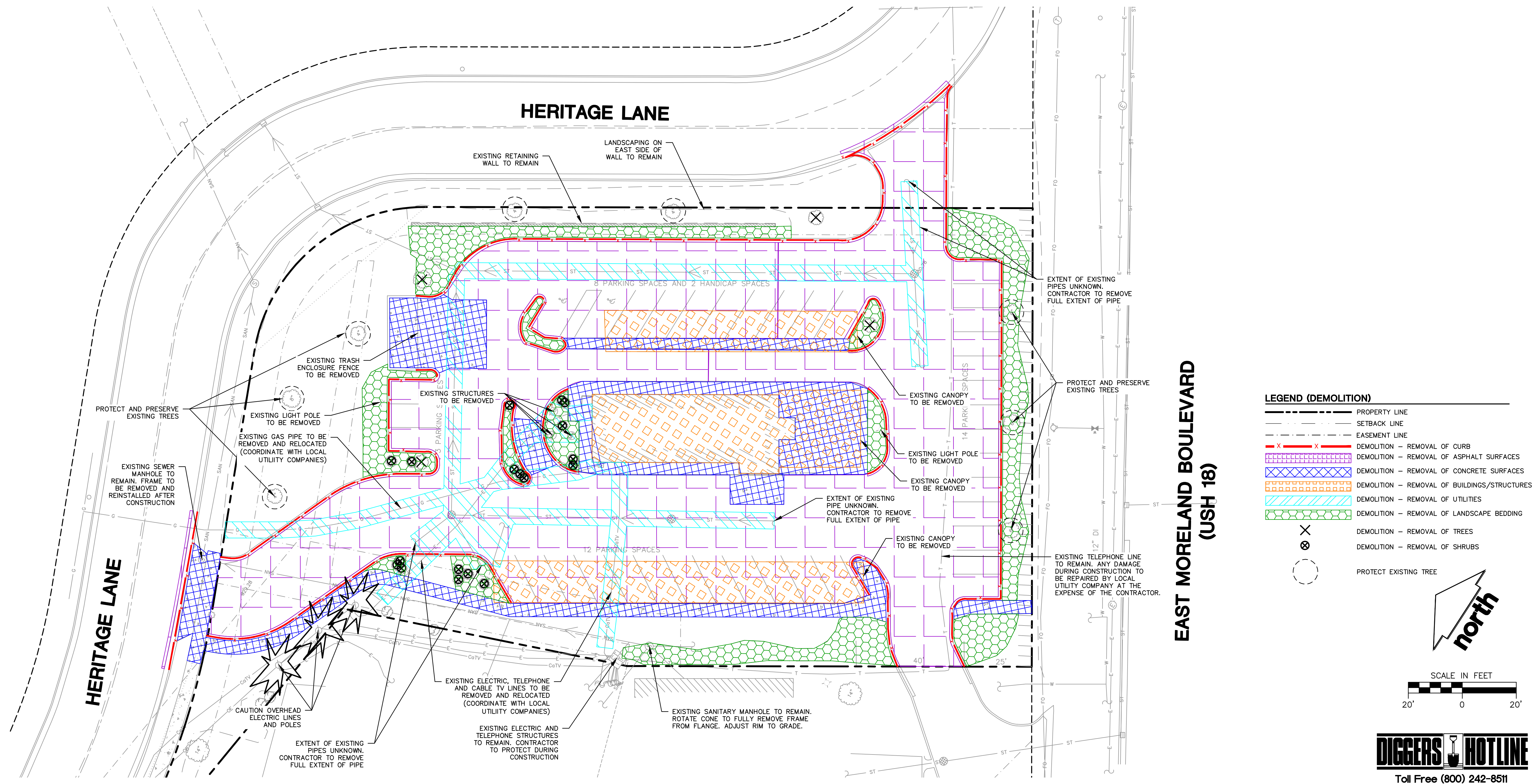
#	Date	Description
1	04.09.18	CITY PLAN REVIEW
2	05.14.18	CITY RESUBMITTAL
3		
4		
5		
6		
7		
8		
9		
10		
11		
12		
13		
14		
15		

Design/Drawn: KWH
Approved: WHD

SHEET TITLE:
DEMOLITION PLAN

SHEET NUMBER:
C1.0

JSD PROJECT NO: 18-8468



E:\2018\188468\DWG\C1.0\188468.dwg, C1.0, 5/14/2018 11:07:21 AM, msamundres
 File: I:\2018\188468\DWG\C1.0\188468.dwg, C1.0, 5/14/2018 11:07:21 AM, msamundres
 Plotfile: May 14, 2018 - 11:07am Xref's:

THESE PLANS AND DESIGNS ARE COPYRIGHT PROTECTED AND MAY NOT BE USED IN WHOLE OR IN PART WITHOUT THE WRITTEN CONSENT OF JSD PROFESSIONAL SERVICES, INC.

GENERAL NOTES

- REFER TO THE EXISTING CONDITIONS SURVEY FOR EXISTING CONDITIONS NOTES AND LEGENDS.
- ALL WORK IN THE ROW SHALL BE IN ACCORDANCE WITH THE STANDARD SPECIFICATIONS FOR SEWER & WATER CONSTRUCTION IN WISCONSIN, LATEST EDITION AND CITY OF WAUKESHA REQUIREMENTS.
- NO SITE GRADING OUTSIDE OR DOWNSLOPE OF PROPOSED SILT FENCE LOCATION. NO LAND DISTURBANCE BEYOND PROPERTY LINES UNLESS OTHERWISE SHOWN.
- THIS PROJECT HAS BEEN DESIGNED AND WILL BE CONSTRUCTED IN COMPLIANCE WITH ALL OF THE WDNR WRAPP PERMIT APPLICATION STANDARDS.
- JSD SHALL BE HELD HARMLESS AND DOES NOT WARRANT ANY DEVIATIONS BY THE OWNER/CONTRACTOR FROM THE APPROVED CONSTRUCTION PLANS THAT MAY RESULT IN DISCIPLINARY ACTIONS BY ANY OR ALL REGULATORY AGENCIES.

SITE PLAN NOTES

- ALL DIMENSIONS TO FACE OF CURB AND/OR EDGING OF CONCRETE UNLESS OTHERWISE NOTED.
- ALL RADII TO FACE OF CURB AND/OR EDGING OF CONCRETE UNLESS OTHERWISE NOTED.
- ANY REQUIRED REPLACEMENT OF PUBLIC CURB AND GUTTER SHALL MATCH EXISTING AND MEET THE REQUIREMENTS OF THE CITY OF WAUKESHA.
- CONTRACTOR SHALL PROVIDE CONTROL JOINTS AND CONSTRUCTION JOINTS OF ONE-QUARTER CONCRETE THICKNESS AT AN EQUAL RATIO OF LENGTH TO WIDTH WHEREVER POSSIBLE WITH A MAXIMUM LENGTH BETWEEN JOINTS OF 8' ON CENTER.
- CONTRACTOR SHALL PROVIDE EXPANSION JOINTS IN SIDEWALKS AT A MAXIMUM 24' ON CENTER.
- EXTERIOR CONCRETE SURFACES SHALL BE BROOM FINISHED.
- ALL CONCRETE SURFACES TO BE SEALED WITH TYPE TK-26UV CONCRETE SEALANT.
- USE 4" WIDE, HIGH VISIBILITY YELLOW LATEX PAINT FOR STALL LINES.
- MARK AND STRIPE ADA PARKING SPACES APPROPRIATELY.
- 2' x 4' TRUNCATED DOME WARNING DETECTION FIELD SHALL BE PLACED AT ALL ADA RAMP.
- ALL PAVEMENT MARKINGS INCLUDING: STOP BARS, CROSSWALKS, DIRECTIONAL ARROWS, PARKING STALL LINES, ADA STALL MARKINGS, NO PARKING ZONES, DROP-OFF/PICK-UP ZONES SHALL BE PAINTED WITH LATEX PAINT PER MUNICIPALITY SPECIFICATIONS.

SITE INFORMATION BLOCK	
Owner Information:	SUMMIT CREDIT UNION 4800 AMERICAN PARKWAY MADISON, WI 53718
Site Address	LOT 1 OF CSM #10663 2208 EAST MORELAND, WAUKESHA, WI
Site Acreage (total)	1.133 ACRES
Number of Building Stories (above grade)	1
Total Square Footage of Building	3,700 S.F.
Number of parking stalls:	
Large car	19
Accessible	1
Total	20
Existing vs. Proposed Site Coverage:	
Existing Impervious Surface Area	32,752
Existing Pervious Surface Area	16,601
Proposed Impervious Surface Area	30,820
Proposed Pervious Surface Area	18,533
Proposed Impervious Surface Area Ratio	0.624

LEGEND (PROPOSED)

- PROPERTY LINE
- - - SETBACK LINE
- - - EASEMENT LINE
- ===== BUILDING LINE
- BUILDING OVERHANG LINE
- ===== EDGE OF CONCRETE
- ===== STANDARD CURB AND GUTTER
- ===== REJECT CURB AND GUTTER
- ===== PROPOSED CONCRETE PAVEMENT
- ===== PROPOSED HEAVY DUTY CONCRETE PAVEMENT
- ===== PROPOSED ASPHALT PAVEMENT
- ===== PROPOSED HEAVY DUTY ASPHALT PAVEMENT
- LIGHT POLE
- BOLLARD



CREATE THE VISION TELL THE STORY

MADISON | MILWAUKEE
KENOSHA | APPLETON | WAUSAU

MADISON REGIONAL OFFICE
161 HORIZON DRIVE, SUITE 101
VERONA, WISCONSIN 53593
P. 608.848.5060

CLIENT:
SUMMIT CREDIT UNION

CLIENT ADDRESS:
**4800 American Parkway
MADISON, WI 53718**

PROJECT:
SUMMIT CREDIT UNION - WAUKESHA BRANCH

PROJECT LOCATION:
**2208 E MORELAND BOULEVARD
WAUKESHA COUNTY**

PLAN MODIFICATIONS:		
#	Date:	Description:
1	04.09.18	CITY PLAN REVIEW
2	05.14.18	CITY RESUBMITTAL
3		
4		
5		
6		
7		
8		
9		
10		
11		
12		
13		
14		
15		

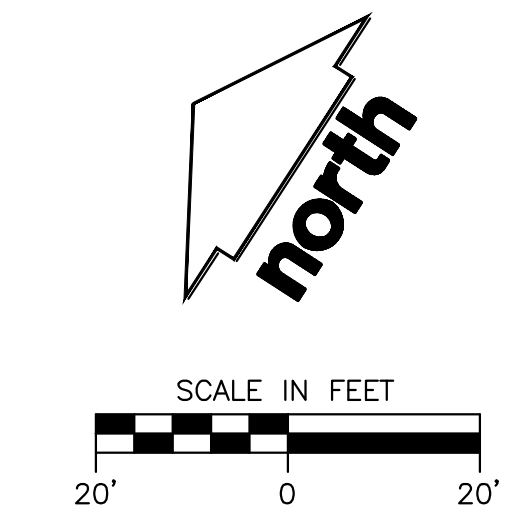
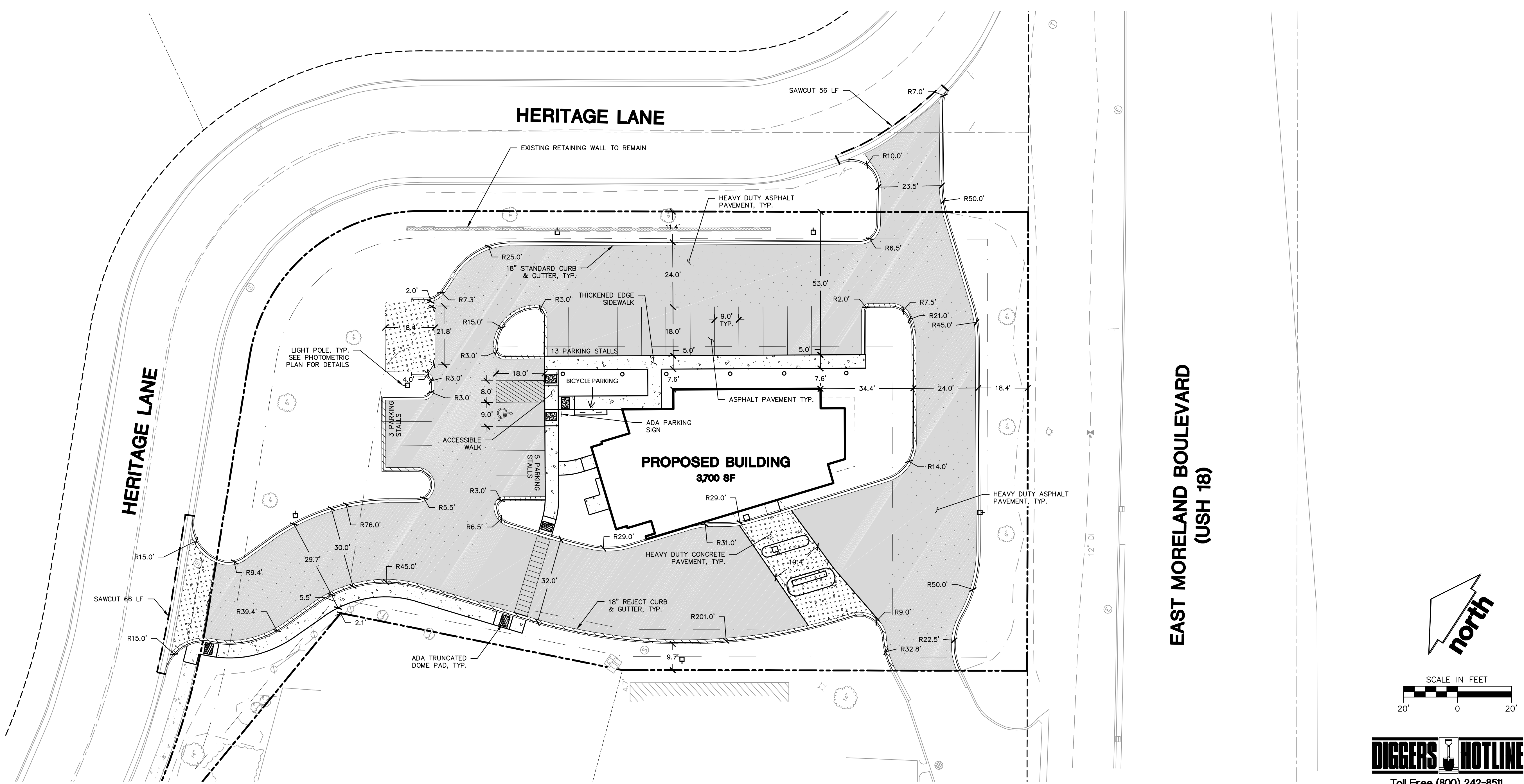
Design/Drawn: CLH
Approved: WHD

SHEET TITLE:
SITE PLAN

SHEET NUMBER:
C2.0

JSD PROJECT NO: 18-8469

1/20/18 1:08:40 PM D:\CADD\188469 Con Docs.dwg, C2.0, 5/14/2018 1:38:25 AM, msanders
 File: I:\2018\188469\DWG\188469 Con Docs.dwg Layout: C2.0 User: msanders Plotted: May 14, 2018 - 11:36am .xref's



THESE PLANS AND DESIGNS ARE COPYRIGHT PROTECTED AND MAY NOT BE USED IN WHOLE OR IN PART WITHOUT THE WRITTEN CONSENT OF JSD PROFESSIONAL SERVICES, INC.

GENERAL NOTES

- REFER TO THE EXISTING CONDITIONS SURVEY FOR EXISTING CONDITIONS NOTES AND LEGENDS.
- ALL WORK IN THE ROW SHALL BE IN ACCORDANCE WITH THE STANDARD SPECIFICATIONS FOR SEWER & WATER CONSTRUCTION IN WISCONSIN, LATEST EDITION AND CITY OF WAUKESHA REQUIREMENTS.
- NO SITE GRADING OUTSIDE OR DOWNSLOPE OF PROPOSED SILT FENCE LOCATION. NO LAND DISTURBANCE BEYOND PROPERTY LINES UNLESS OTHERWISE SHOWN.
- THIS PROJECT HAS BEEN DESIGNED AND WILL BE CONSTRUCTED IN COMPLIANCE WITH ALL OF THE WDNR WRAPP PERMIT APPLICATION STANDARDS.
- JSD SHALL BE HELD HARMLESS AND DOES NOT WARRANT ANY DEVIATIONS BY THE OWNER/CONTRACTOR FROM THE APPROVED CONSTRUCTION PLANS THAT MAY RESULT IN DISCIPLINARY ACTIONS BY ANY OR ALL REGULATORY AGENCIES.

CONSTRUCTION SITE EROSION CONTROL REQUIREMENTS (CSECR) NOTES:

- ALL EROSION AND SEDIMENT CONTROL PRACTICES SHALL BE DESIGNED AND IMPLEMENTED IN ACCORDANCE WITH THE CURRENT DEPARTMENT OF NATURAL RESOURCES EROSION AND SEDIMENT CONTROL TECHNICAL STANDARDS WHICH ARE AVAILABLE AT: <http://www.dnr.state.wi.us/runoff/stormwater/techstds.htm>
- INSTALL EROSION CONTROL MEASURES PRIOR TO ANY SITE WORK, INCLUDING GRADING OR DISTURBANCE OF EXISTING SURFACE MATERIALS AS SHOWN ON PLAN. MODIFICATIONS TO SEDIMENT CONTROL DESIGN MAY BE CONDUCTED TO MEET UNFORESEEN FIELD CONDITIONS IF MODIFICATIONS CONFORM TO WDNR TECHNICAL STANDARDS.
- INSPECTIONS AND MAINTENANCE OF ALL EROSION CONTROL MEASURES SHALL BE ROUTINE (ONCE PER WEEK MINIMUM) TO ENSURE PROPER FUNCTION OF EROSION CONTROLS AT ALL TIMES. EROSION CONTROL MEASURES ARE TO BE IN WORKING ORDER AT THE END OF EACH WORK DAY.
- INSPECT EROSION CONTROL MEASURES AFTER EACH 1/2" OR GREATER RAINFALL. REPAIR ANY DAMAGE OBSERVED DURING THE INSPECTION.
- EROSION CONTROL MEASURES SHALL NOT BE REMOVED UNTIL ALL LAND DISTURBING CONSTRUCTION ACTIVITY AT THE SITE HAS BEEN COMPLETED AND THAT A UNIFORM PERENNIAL VEGETATIVE COVER HAS BEEN ESTABLISHED WITH A DENSITY OF AT LEAST 70% OF THE COVER FOR THE UNPAVED AREAS AND AREAS NOT COVERED BY PERMANENT STRUCTURES OR THAT EMPLOY EQUIVALENT PERMANENT STABILIZATION MEASURES.
- INSTALL A TRACKING PAD, 50' LONG AND NO LESS THAN 12" THICK BY USE OF 3" CLEAR STONE. TRACKING PADS ARE TO BE MAINTAINED BY THE CONTRACTOR IN A CONDITION WHICH WILL PREVENT THE TRACKING OF MUD OR DRY SEDIMENT ONTO THE ADJACENT PUBLIC STREETS AFTER EACH WORKING DAY OR MORE FREQUENTLY AS REQUIRED.
- INSTALL EROSION CONTROLS ON THE DOWNSTREAM SIDE OF STOCKPILES.
- INSTALL TEMPORARY SEDIMENT TRAPS PER LATEST EDITION OF WDNR STORM WATER CONSTRUCTION TECHNICAL CONSTRUCTION SITE EROSION & SEDIMENT CONTROL STANDARDS NOTE 1063. SEDIMENT TRAPS SHALL BE SIZED BASED ON MEDIUM SOIL TEXTURAL CLASS. SEDIMENT TRAPS SHALL BE INSPECTED WITHIN 24 HOURS AFTER EVERY RAIN EVENT PRODUCING 0.5 INCHES OF RAIN OR MORE AND AT A MINIMUM SEDIMENT SHALL BE REMOVED WHEN SEDIMENT REACHES A DEPTH OF 1 FOOT OR WHEN OUTLET BECOMES CLOGGED. SEDIMENT TRAPS SHALL BE REMOVED AND THE LOCATION STABILIZED AFTER THE DISTURBED AREA DRAINING TO THE SEDIMENT TRAP IS STABILIZED AND NO LONGER SUSCEPTIBLE TO EROSION. ALL SEDIMENT SHALL BE PROPERLY DISPOSED.
- INSTALL CHECK DAMS WITHIN DRAINAGE DITCHES AND IN FRONT OF SILT FENCING IN ANY LOW AREA ALL IN ACCORDANCE WITH WDNR TECHNICAL STANDARDS.
- EROSION CONTROL FOR UTILITY CONSTRUCTION (STORM SEWER, SANITARY SEWER, WATER MAIN, ETC.):
 - PLACE EXCAVATED TRENCH MATERIAL ON THE HIGH SIDE OF THE TRENCH.
 - BACKFILL, COMPACT, AND STABILIZE THE TRENCH IMMEDIATELY AFTER PIPE CONSTRUCTION.
 - DISCHARGE TRENCH WATER INTO A SEDIMENTATION BASIN OR FILTERING TANK IN ACCORDANCE WITH THE DEWATERING

- TECHNICAL STANDARD NO. 1061 PRIOR TO RELEASE INTO THE STORM SEWER, RECEIVING STREAM, OR DRAINAGE DITCH.
- ADDITIONAL EROSION CONTROL MEASURES, AS REQUESTED BY STATE INSPECTORS, LOCAL INSPECTORS, AND/OR ENGINEER SHALL BE INSTALLED WITHIN 24 HOURS OF REQUEST.
 - ALL SLOPES 4:1 OR GREATER SHALL BE STABILIZED WITH CLASS I, TYPE B EROSION MATTING AND DRAINAGE SWALES SHALL BE STABILIZED WITH CLASS II, TYPE B EROSION MATTING, WITHIN 7 DAYS OF REACHING FINAL GRADE AND/OR AS SOON AS CONDITIONS ALLOW. REFER BELOW TO "CSECR" NOTE NO. SIXTEEN (16) FOR STABILIZATION PRACTICES FOR POTENTIAL INTERIM STABILIZATION.
 - CONTRACTOR/OWNER SHALL FILE A NOTICE OF TERMINATION UPON VEGETATIVE STABILIZATION AND/OR PROPERTY SALE IN ACCORDANCE WITH WDNR REQUIREMENTS.
 - CONTRACTOR SHALL TAKE ALL NECESSARY STEPS TO CONTROL DUST ARISING FROM CONSTRUCTION OPERATIONS. REFER TO WDNR TECHNICAL STANDARD 1068.
 - SILT FENCE LOCATION REPRESENTED ON SHEET C2.0 INDICATES DISTURBANCE LIMITS. REFER TO CSECR NOTE 14 FOR DETAILS.
 - STABILIZATION PRACTICES:
 - * STABILIZATION MEASURES SHALL BE INITIATED AS SOON AS PRACTICABLE IN PORTIONS OF THE SITE WHERE CONSTRUCTION ACTIVITIES HAVE TEMPORARILY OR PERMANENTLY CEASED. NO MORE THAN SEVEN (7) DAYS SHALL PASS AFTER THE CONSTRUCTION ACTIVITY IN THAT PORTION OF THE SITE HAS CEASED UNLESS:
 - * THE INITIATION STABILIZATION MEASURES BY THE SEVENTH (7) DAY AFTER CONSTRUCTION ACTIVITY HAS CEASED IS PRECLUDED BY SNOW COVER. IN THAT EVENT, STABILIZATION SHALL BE INITIATED AS SOON AS PRACTICABLE.
 - * CONSTRUCTION ACTIVITY WILL RESUME ON A PORTION OF THE SITE WITHIN FOURTEEN (14) DAYS FROM WHEN ACTIVITY CEASED, (I.E. THE TOTAL TIME PERIOD THAT THE CONSTRUCTION ACTIVITY IS TEMPORARILY CEASED IS LESS THAN FOURTEEN (14) DAYS. IN THAT EVENT, STABILIZATION MEASURES DO NOT HAVE TO BE INITIATED ON THAT PORTION OF THE SITE BY THE SEVENTH (7) DAY AFTER CONSTRUCTION ACTIVITY HAS TEMPORARILY CEASED.
 - * STABILIZATION MEASURES SHALL BE DETERMINED BASED ON SITE CONDITIONS AT THE TIME OF CONSTRUCTION ACTIVITY HAS CEASED, INCLUDING BUT NOT LIMITED TO WEATHER CONDITIONS AND LENGTH OF TIME MEASURE MUST BE EFFECTIVE. THE FOLLOWING ARE ACCEPTABLE STABILIZATION MEASURES:
 - * PERMANENT SEEDING; IN ACCORDANCE WITH APPROVED CONSTRUCTION SPECIFICATION
 - * TEMPORARY SEEDING; MAY CONSIST OF SPRING OATS(100LBS/ACRE) AND/OR WHEAT OR CEREAL RYE (150LB/ACRE)
 - * HYDRO-MULCHING WITH A TACKIFIER
 - * GEOTEXTILE EROSION MATTING
 - * SODDING

LEGEND (GRADING AND EROSION CONTROL PLAN)

- PROPERTY LINE
- SETBACK LINE
- EASEMENT LINE
- BUILDING OVERHANG LINE
- 978 --- EXISTING 1' CONTOUR
- 978 --- EXISTING 5' CONTOUR
- 978 --- PROPOSED 1' CONTOUR
- 978 --- PROPOSED 5' CONTOUR
- ST --- STORM SEWER
- GRADE BREAK
- SPOT ELEVATION
 - EP --- EDGE OF PAVEMENT
 - FG --- FINISH GRADE
 - EC --- EDGE OF CONCRETE
 - BC --- BACK OF CURB
 - TW --- TOP OF WALL
 - BW --- BOTTOM OF WALL
 - RIM --- RIM ELEVATION
- SILT FENCE
- SILT SOCK
- DISTURBANCE LIMITS
- INLET PROTECTION, TYPE D



CREATE THE VISION TELL THE STORY

MADISON | MILWAUKEE
KENOSHA | APPLETON | WAUSAU

MADISON REGIONAL OFFICE
161 HORIZON DRIVE, SUITE 101
VERONA, WISCONSIN 53593
P. 608.848.5060

CLIENT:
SUMMIT CREDIT UNION

CLIENT ADDRESS:
**4800 American Parkway
MADISON, WI 53718**

PROJECT:
SUMMIT CREDIT UNION - WAUKESHA BRANCH

PROJECT LOCATION:
**2208 E MORELAND BOULEVARD
WAUKESHA COUNTY**

PLAN MODIFICATIONS:

#	Date:	Description:
1	04.09.18	CITY PLAN REVIEW
2	05.14.18	CITY RESUBMITTAL
3		
4		
5		
6		
7		
8		
9		
10		
11		
12		
13		
14		
15		

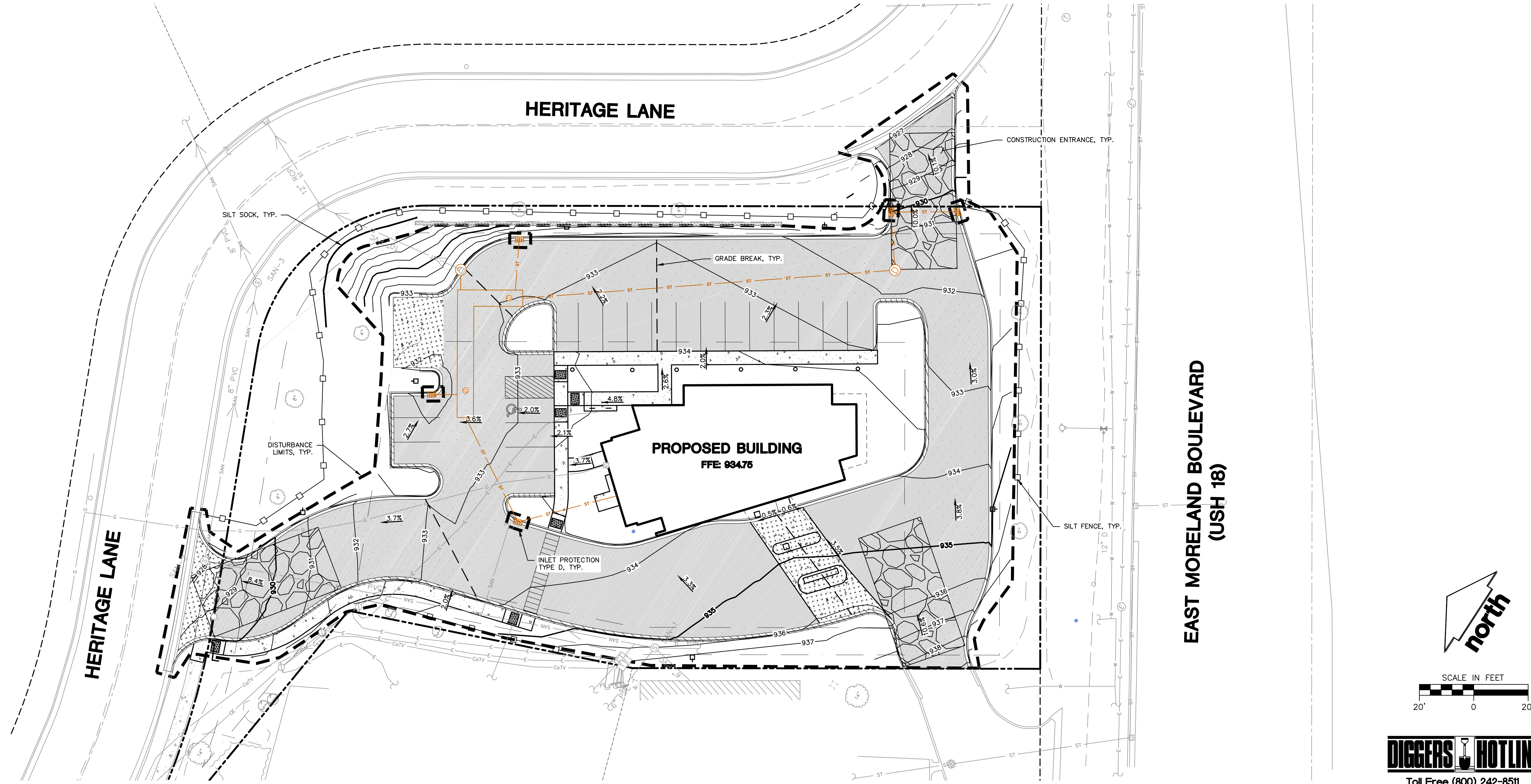
Design/Drawn: CLH
Approved: WHD

SHEET TITLE:
GRADING AND EROSION CONTROL PLAN

SHEET NUMBER:
C3.0

JSD PROJECT NO: 18-8469

I:\2018\188469\DWG\188469 Con Docs.dwg, C:\Users\msaunders\Desktop\188469 Con Docs.dwg, C:\Users\msaunders\Desktop\188469 Con Docs.dwg
 File: I:\2018\188469\DWG\188469 Con Docs.dwg, Layout: C3.0 User: msanders Plotted: May 14, 2018 - 11:27am .xref's



THESE PLANS AND DESIGNS ARE COPYRIGHT PROTECTED AND MAY NOT BE USED IN WHOLE OR IN PART WITHOUT THE WRITTEN CONSENT OF JSD PROFESSIONAL SERVICES, INC.

I:\2018\188469\DWG\188469 Con Docs.dwg, C3.1, 5/14/2018 11:28:35 AM, msunders
 File: I:\2018\188469\DWG\188469 Con Docs.dwg, Layout: C3.1, User: msunders, Plotted: May 14, 2018 - 11:28am, Xref's:

HERITAGE LANE

EAST MORELAND BOULEVARD (USH 18)

- LEGEND (GRADING PLAN)**
- PROPERTY LINE
 - - - SETBACK LINE
 - - - EASEMENT LINE
 - - - BUILDING LINE
 - - - BUILDING OVERHANG LINE
 - 978 — EXISTING 1' CONTOUR
 - 978 — EXISTING 5' CONTOUR
 - 978 — PROPOSED 1' CONTOUR
 - 978 — PROPOSED 5' CONTOUR
 - ST — STORM SEWER
 - GRADE BREAK
 - SPOT ELEVATION
 - EP — EDGE OF PAVEMENT
 - FG — FINISH GRADE
 - EC — EDGE OF CONCRETE
 - BC — BACK OF CURB
 - TW — TOP OF WALL
 - BW — BOTTOM OF WALL
 - RIM — RIM ELEVATION



CREATE THE VISION TELL THE STORY

MADISON | MILWAUKEE
KENOSHA | APPLETON | WAUSAU

MADISON REGIONAL OFFICE
161 HORIZON DRIVE, SUITE 101
VERONA, WISCONSIN 53593
P. 608.848.5060

CLIENT:
SUMMIT CREDIT UNION

CLIENT ADDRESS:
**4800 American Parkway
MADISON, WI 53718**

PROJECT:
SUMMIT CREDIT UNION - WAUKESHA BRANCH

PROJECT LOCATION:
**2208 E MORELAND BOULEVARD
WAUKESHA COUNTY**

PLAN MODIFICATIONS:

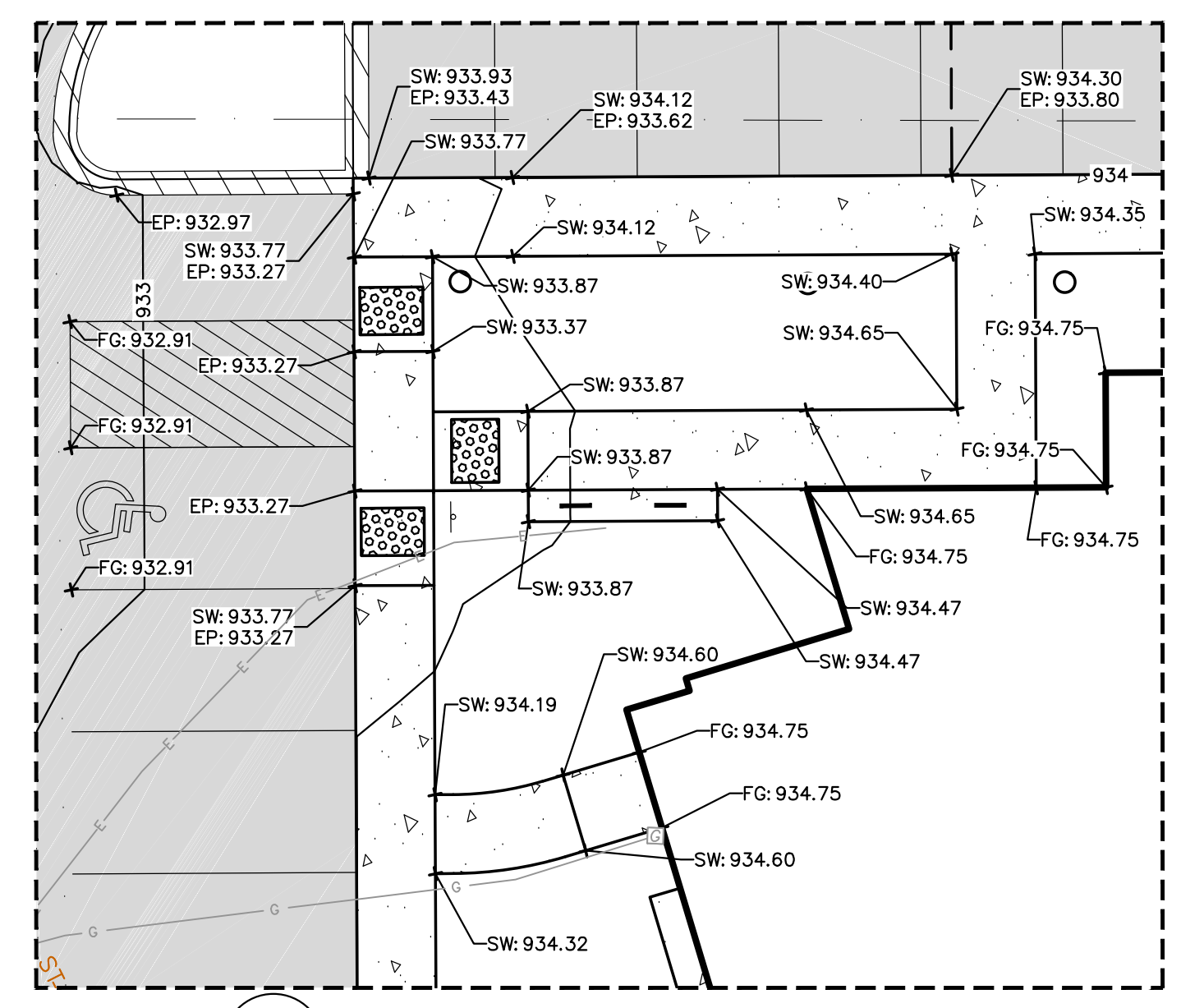
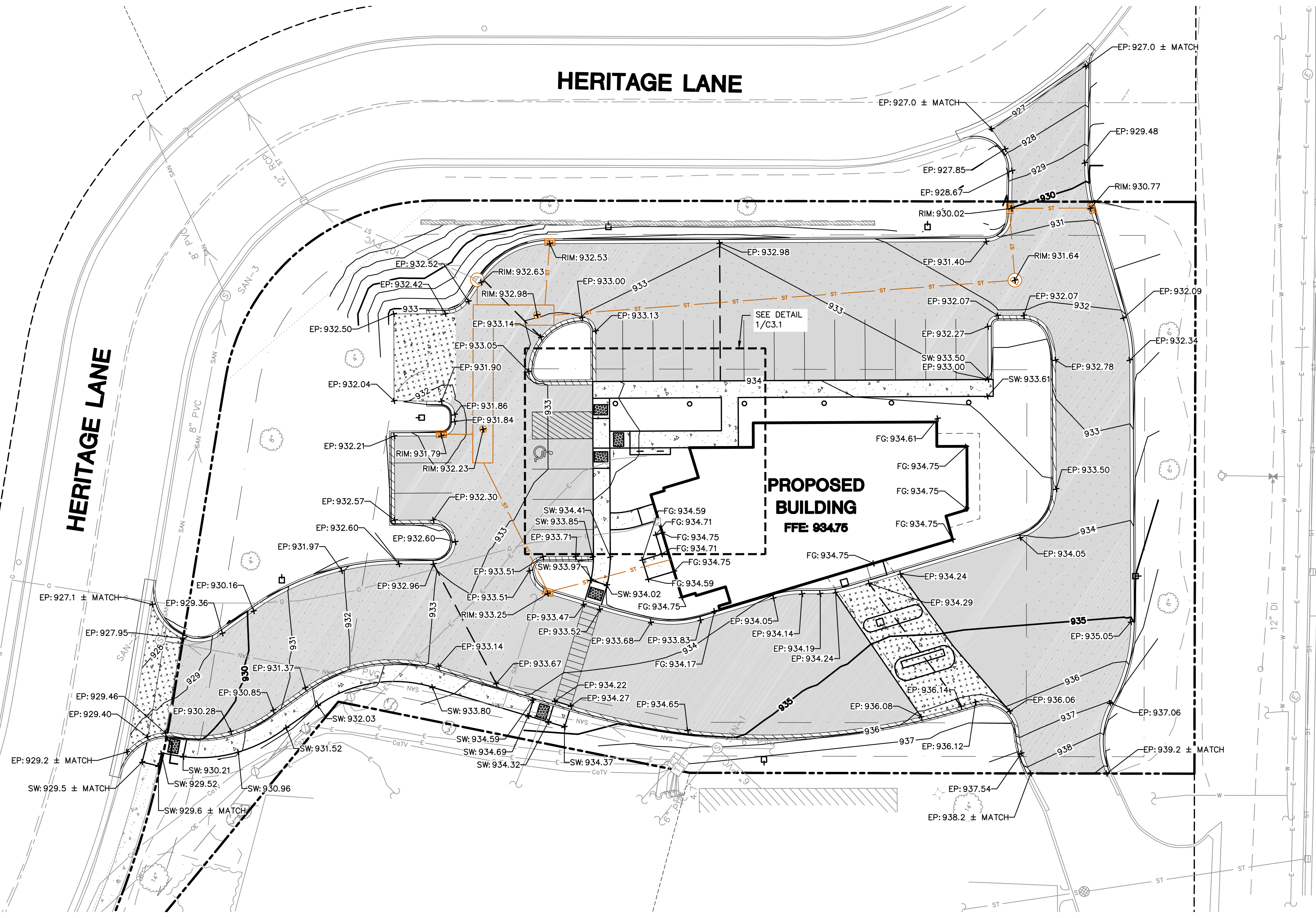
#	Date:	Description:
1	04.09.18	CITY PLAN REVIEW
2	05.14.18	CITY RESUBMITTAL
3		
4		
5		
6		
7		
8		
9		
10		
11		
12		
13		
14		
15		

Design/Drawn: CLH
Approved: WHD

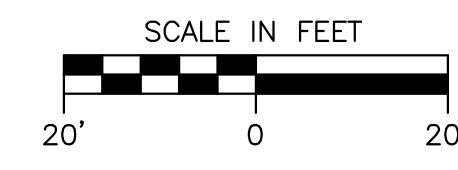
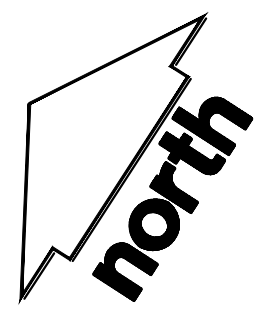
SHEET TITLE:
DETAILED GRADING PLAN

SHEET NUMBER:
C3.1

JSD PROJECT NO: 18-8469



1
C3.1 DETAILED ENTRY GRADING



Toll Free (800) 242-8511

THESE PLANS AND DESIGNS ARE COPYRIGHT PROTECTED AND MAY NOT BE USED IN WHOLE OR IN PART WITHOUT THE WRITTEN CONSENT OF JSD PROFESSIONAL SERVICES, INC.

GENERAL NOTES

- REFER TO THE EXISTING CONDITIONS SURVEY FOR EXISTING CONDITIONS NOTES AND LEGENDS.
- ALL WORK IN THE ROW SHALL BE IN ACCORDANCE WITH THE STANDARD SPECIFICATIONS FOR SEWER & WATER CONSTRUCTION IN WISCONSIN, LATEST EDITION AND CITY OF WAUKESHA REQUIREMENTS.
- NO SITE GRADING OUTSIDE OR DOWNSLOPE OF PROPOSED SILT FENCE LOCATION. NO LAND DISTURBANCE BEYOND PROPERTY LINES UNLESS OTHERWISE SHOWN.
- THIS PROJECT HAS BEEN DESIGNED AND WILL BE CONSTRUCTED IN COMPLIANCE WITH ALL OF THE WDNR WRAPP PERMIT APPLICATION STANDARDS.
- JSD SHALL BE HELD HARMLESS AND DOES NOT WARRANT ANY DEVIATIONS BY THE OWNER/CONTRACTOR FROM THE APPROVED CONSTRUCTION PLANS THAT MAY RESULT IN DISCIPLINARY ACTIONS BY ANY OR ALL REGULATORY AGENCIES.

PROPOSED STORM SEWER STRUCTURES SCHEDULE						
LABEL	INVERT ELEV. (FT)	RIM ELEV. (FT)	DEPTH (FT)	STRUCTURE DESCRIPTION	GRATE	
STO INL-1	927.94	930.77	2.83	2'X3' INLET BOX	R-3067, CURB INLET FRAME, GRATE, CURB BOX - TYPE L GRATE	
STO INL-2	927.78	930.05	2.27	2'X3' INLET BOX	R-3067, CURB INLET FRAME, GRATE, CURB BOX - TYPE L GRATE	
STO INL-3	929.70	932.53	2.83	2'X3' INLET BOX	R-3067, CURB INLET FRAME, GRATE, CURB BOX - TYPE L GRATE	
STO INL-4	928.93	931.79	2.86	2'X3' INLET BOX	R-3067, CURB INLET FRAME, GRATE, CURB BOX - TYPE L GRATE	
STO INL-5	929.61	933.25	3.64	2'X3' INLET BOX	R-3067, CURB INLET FRAME, GRATE, CURB BOX - TYPE L GRATE	
STO MH 1	927.60	932.23	4.63	36" DIA. MANHOLE	R-1550A MANHOLE FRAME - SOLID LID NON-ROCKING	
STM MH 2	924.22	934.51	10.29	36" DIA. MANHOLE	R-3067, CURB INLET FRAME, GRATE, CURB BOX - TYPE L GRATE	
WQ Chamber	926.25	934.87	8.62	2 - ACCESS RISERS	R-1550A MANHOLE FRAME - SOLID LID NON-ROCKING	

PROPOSED STORM SEWER PIPE SCHEDULE							
PIPE LABEL	FROM	TO	LENGTH (FT)	INVERT ELEVATION (FT)	DISCHARGE ELEVATION (FT)	SLOPE (%)	PIPE SIZE & TYPE
P-1	STO INL-1	STO INL-2	23.00	927.88	927.94	0.25	10" PVC
P-2	STO INL-2	STO MH 1	20.00	927.70	927.78	0.40	12" PVC
P-3	STO MH 1	WQ Chamber	137.00	926.25	927.60	0.98	12" PVC
P-4	STO INL-3	WQ Chamber	19.00	928.75	929.70	5.00	6" PVC
P-5	STO INL-4	WQ Chamber	9.00	928.75	928.93	2.00	6" PVC
P-6	STO INL-5	WQ Chamber	43.00	928.75	929.61	2.00	6" PVC
P-8	RD	STO INL-5	38.00	929.71	930.47	2.00	6" PVC
P-9	WQ Chamber	STO MH 2	7.40	926.18	926.25	1.00	12" PVC

LEGEND (UTILITY PLAN)

- PROPERTY LINE
- SETBACK LINE
- EASEMENT LINE
- BUILDING LINE
- BUILDING OVERHANG LINE
- SAN --- SANITARY SEWER
- W --- WATERMAIN
- ST --- STORM SEWER



CREATE THE VISION TELL THE STORY

MADISON | MILWAUKEE
KENOSHA | APPLETON | WAUSAU

MADISON REGIONAL OFFICE
161 HORIZON DRIVE, SUITE 101
VERONA, WISCONSIN 53593
P. 608.848.5060

CLIENT:
SUMMIT CREDIT UNION

CLIENT ADDRESS:
**4800 American Parkway
MADISON, WI 53718**

PROJECT:
SUMMIT CREDIT UNION - WAUKESHA BRANCH

PROJECT LOCATION:
**2208 E MORELAND BOULEVARD
WAUKESHA COUNTY**

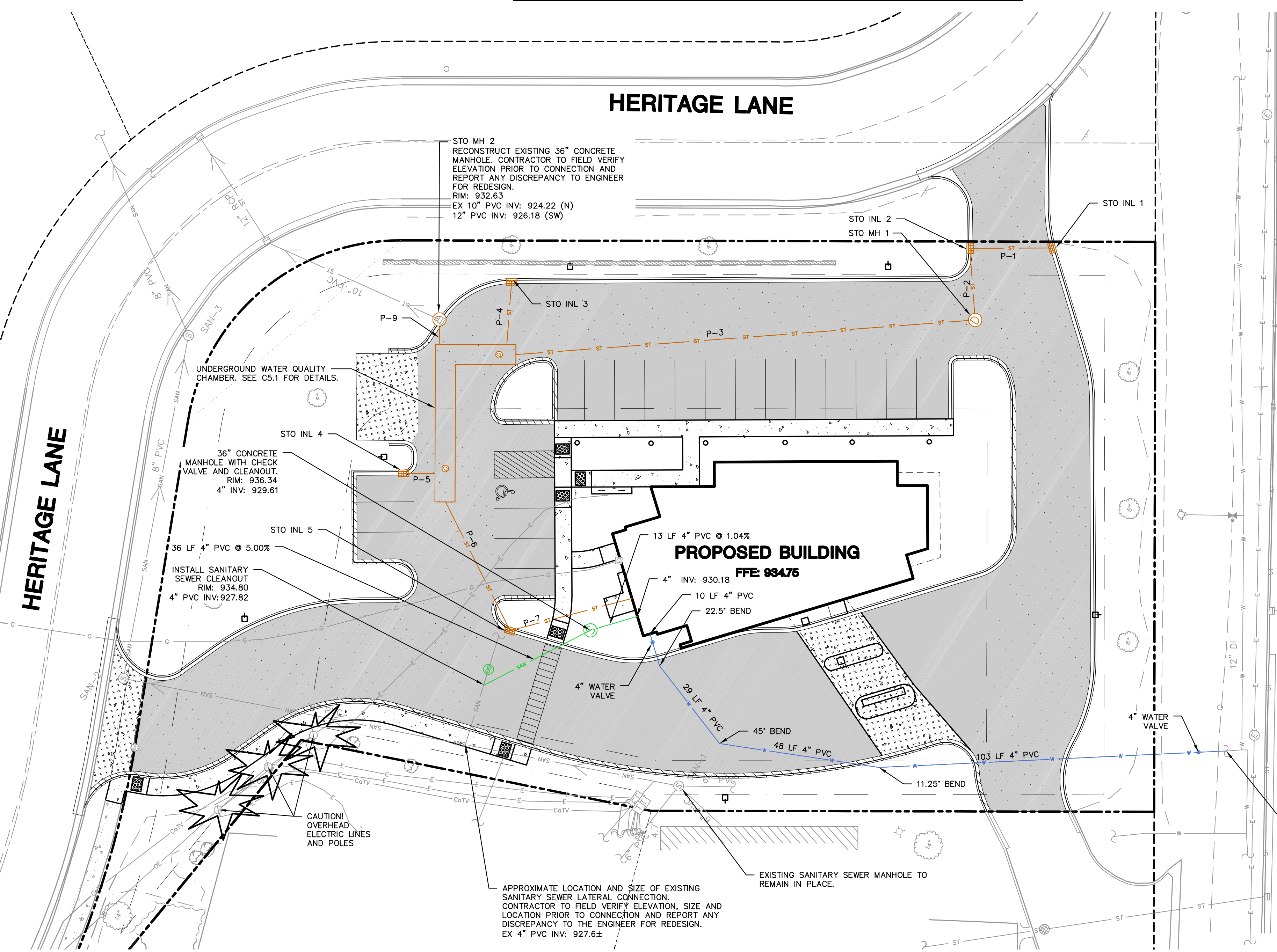
PLAN MODIFICATIONS:		
#	Date:	Description:
1	04.09.18	CITY PLAN REVIEW
2	05.14.18	CITY RESUBMITTAL
3		
4		
5		
6		
7		
8		
9		
10		
11		
12		
13		
14		
15		

Design/Drawn: CLH
Approved: WHD

SHEET TITLE:
UTILITY PLAN

SHEET NUMBER:
C4.0

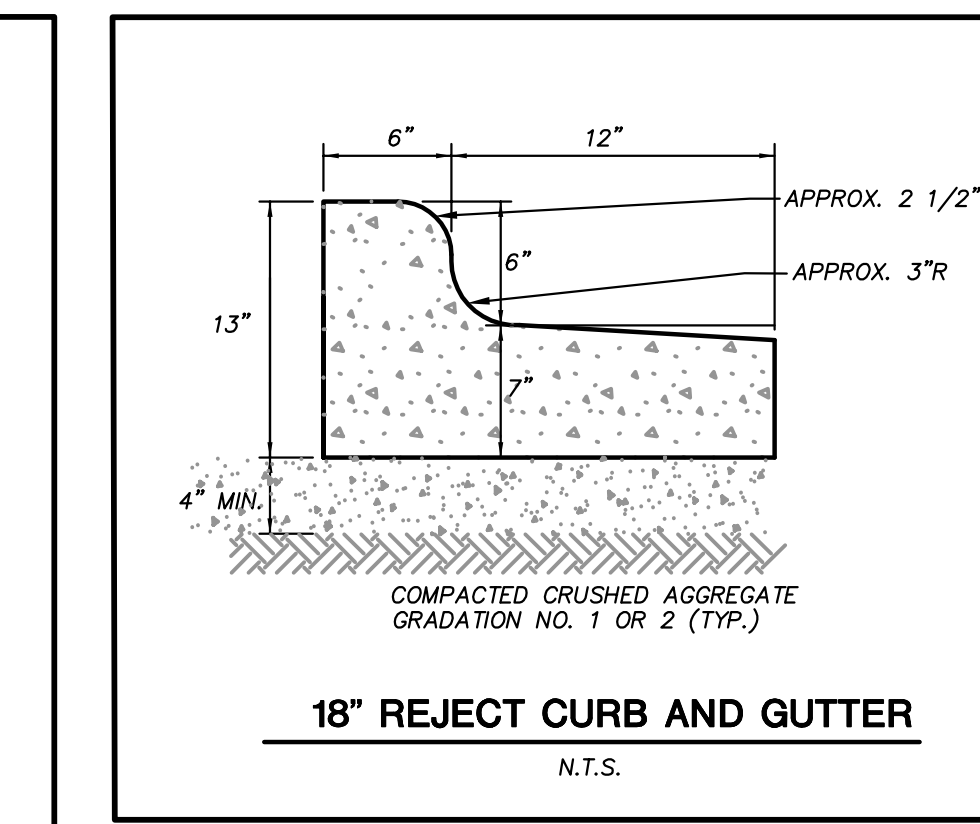
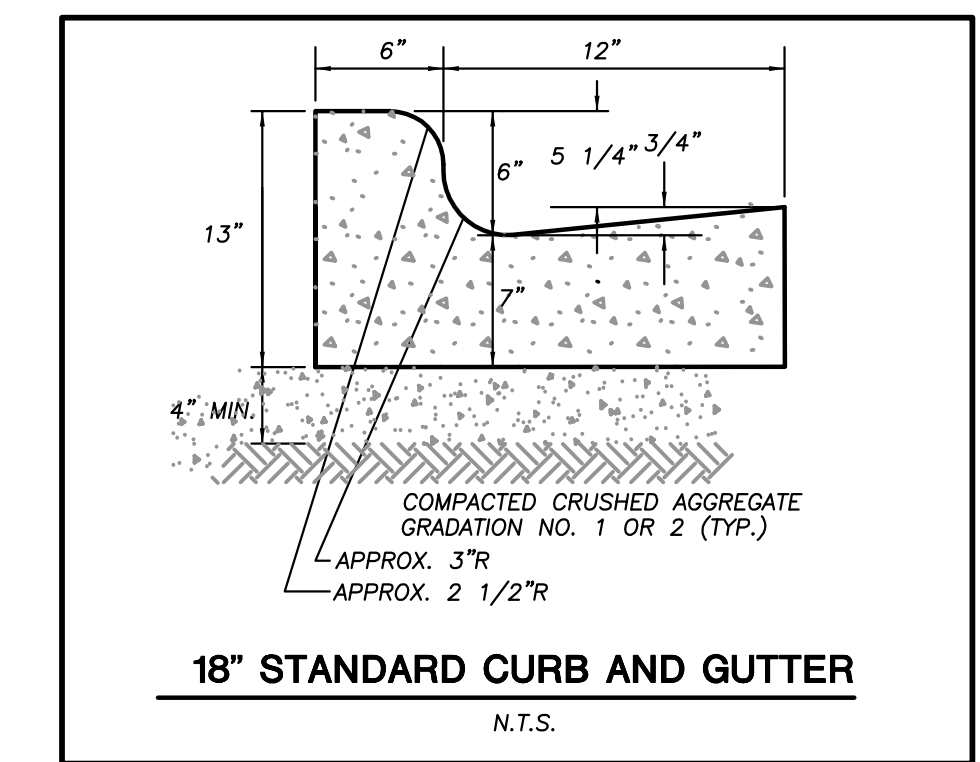
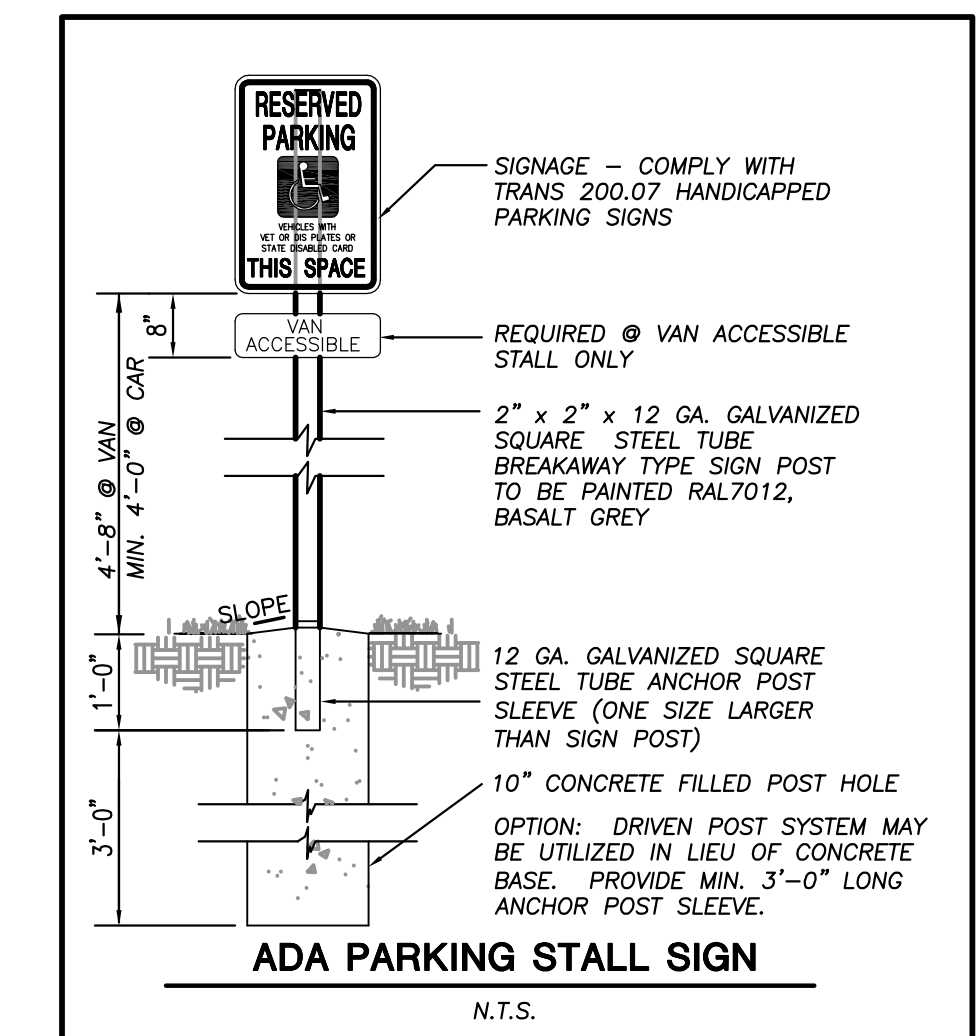
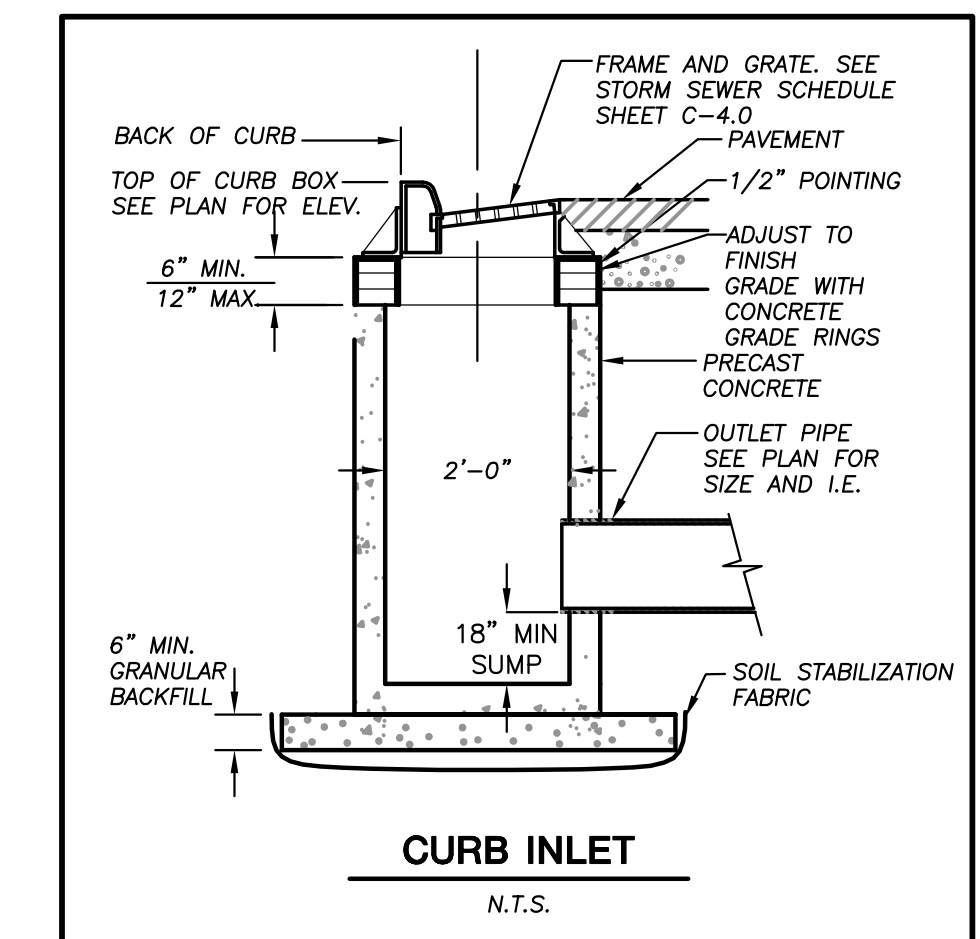
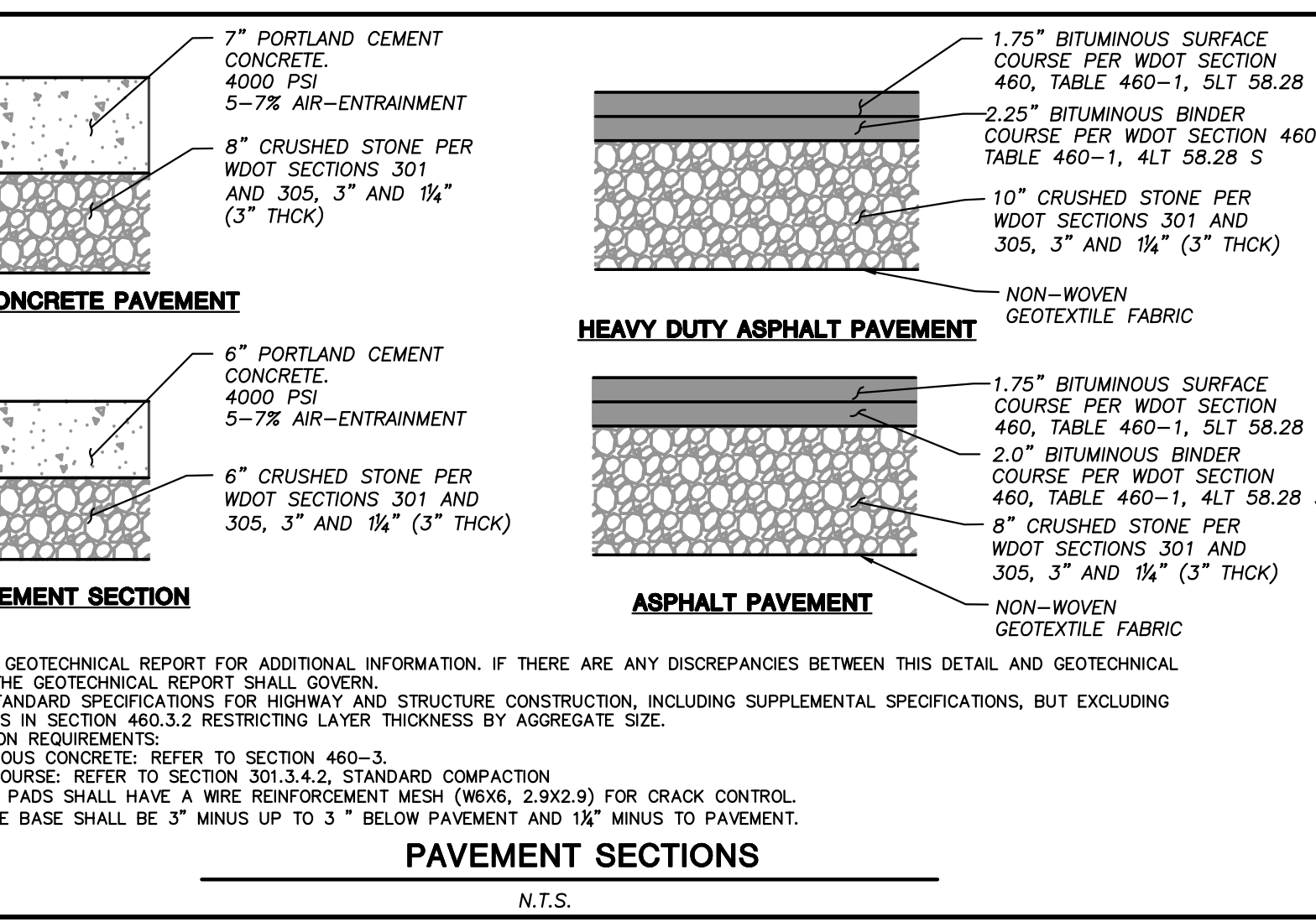
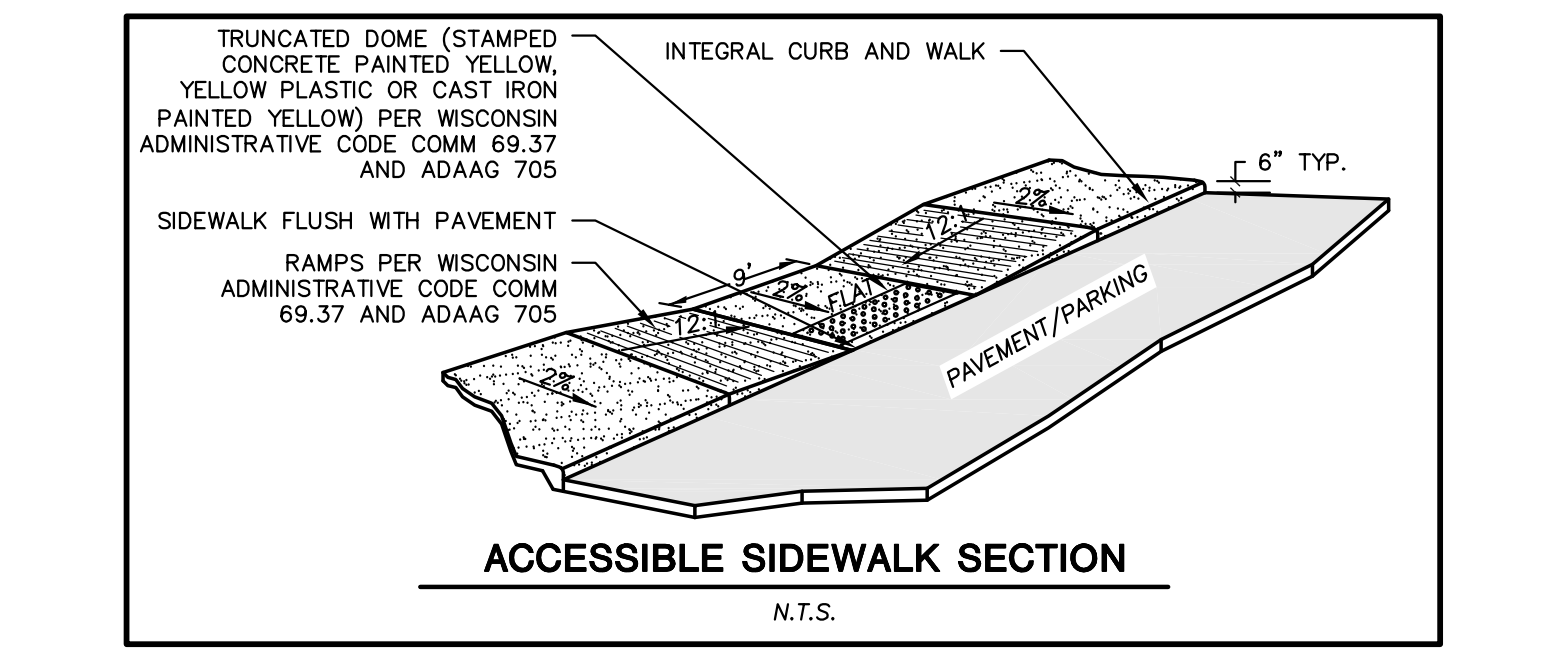
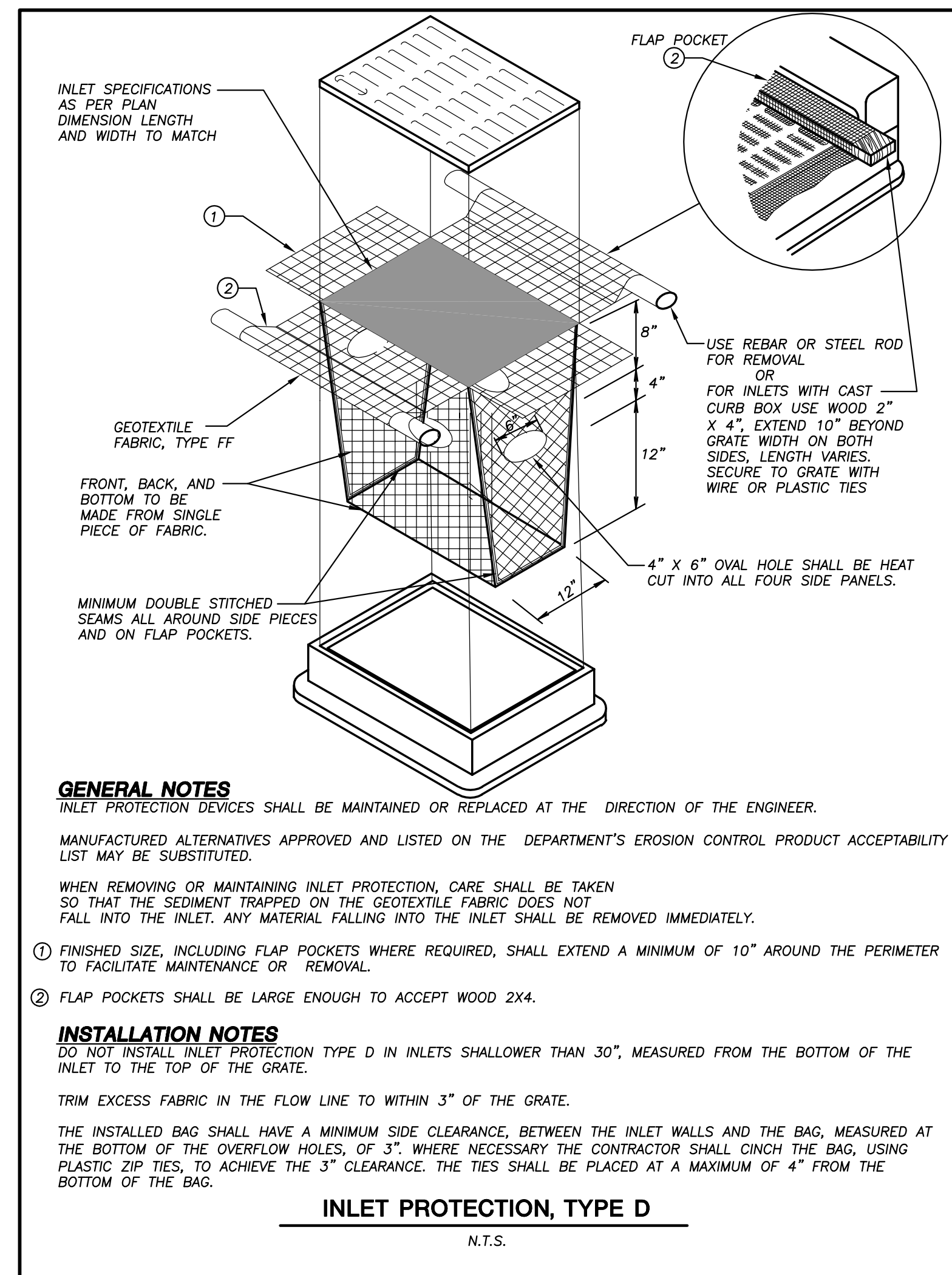
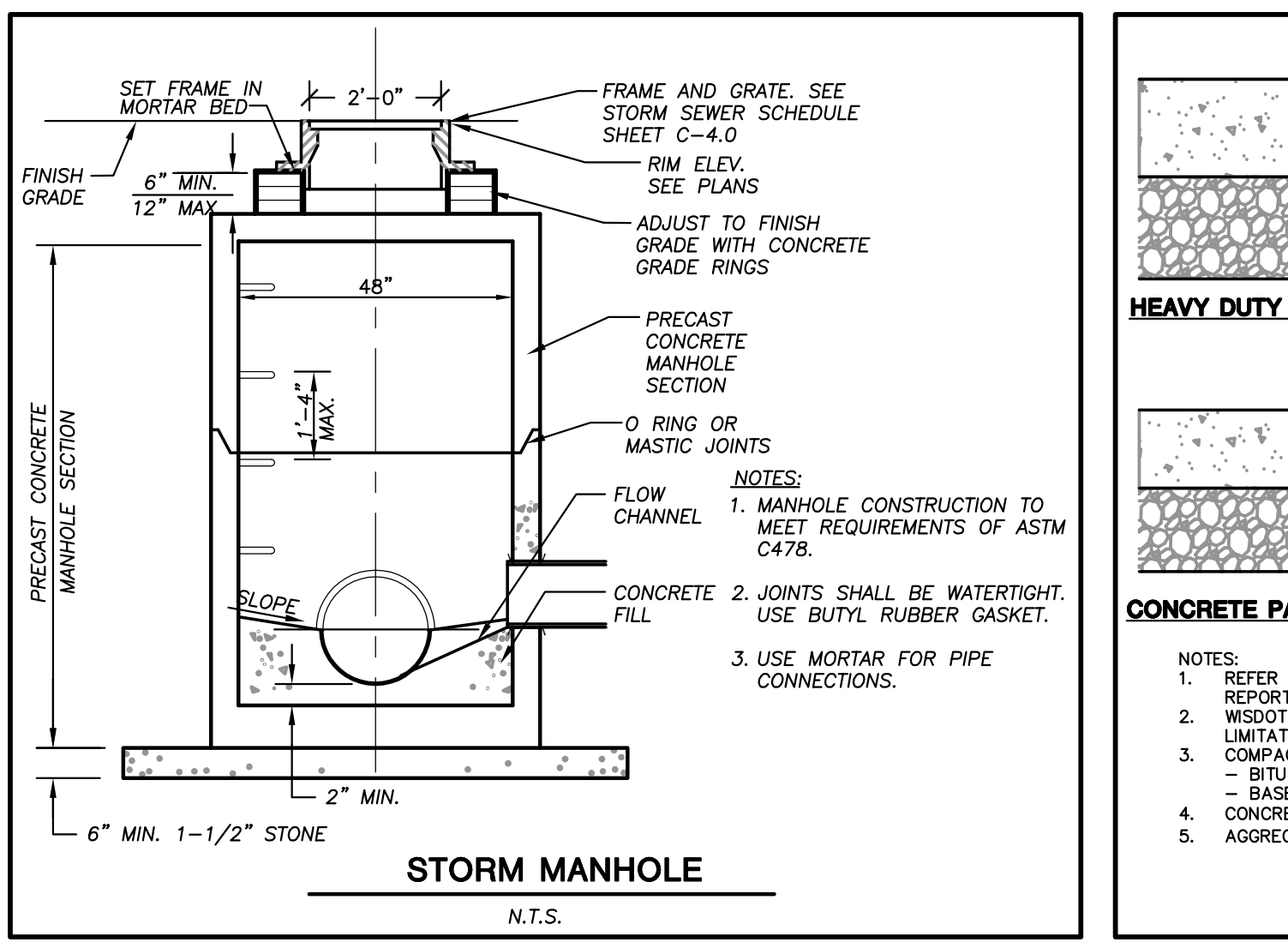
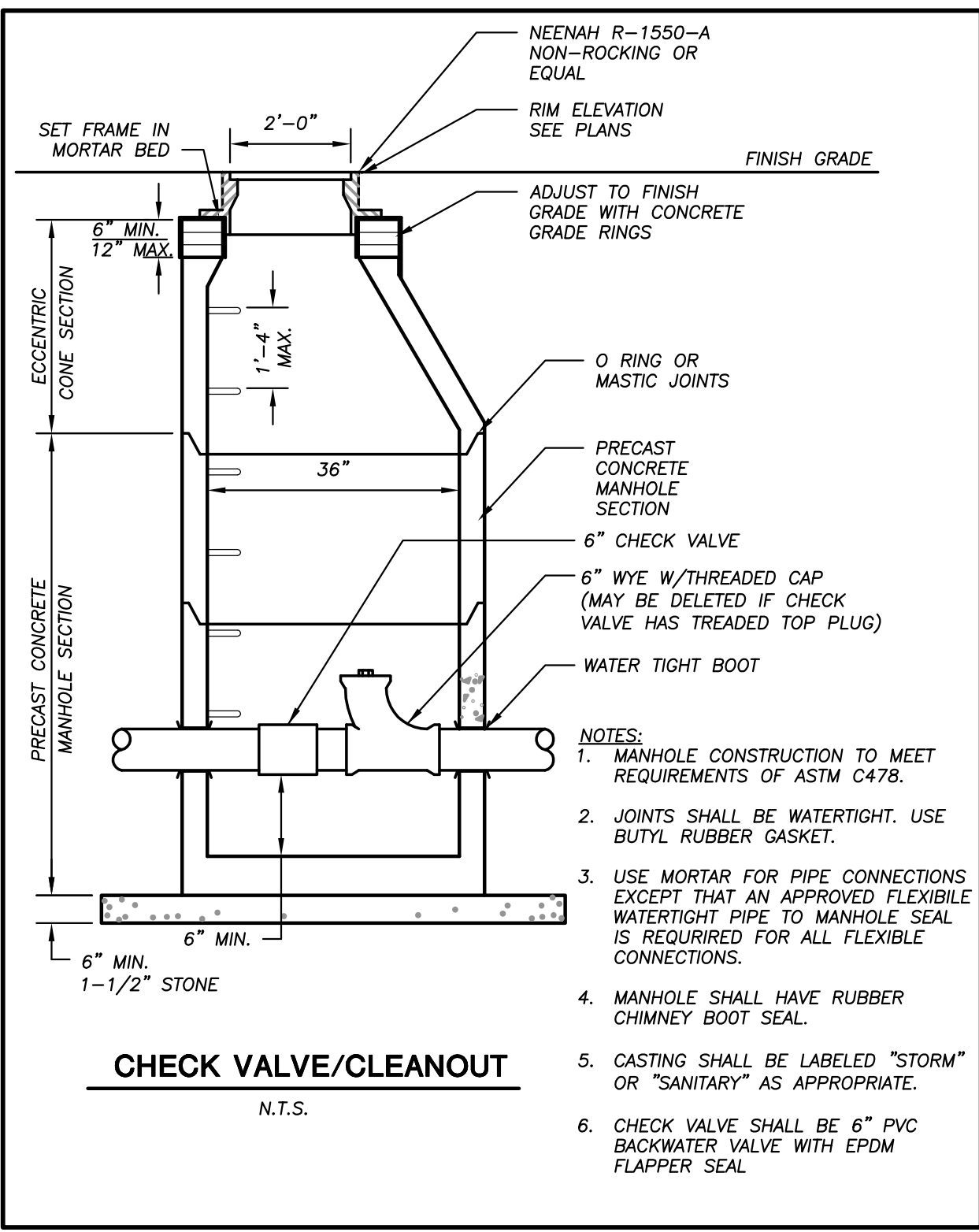
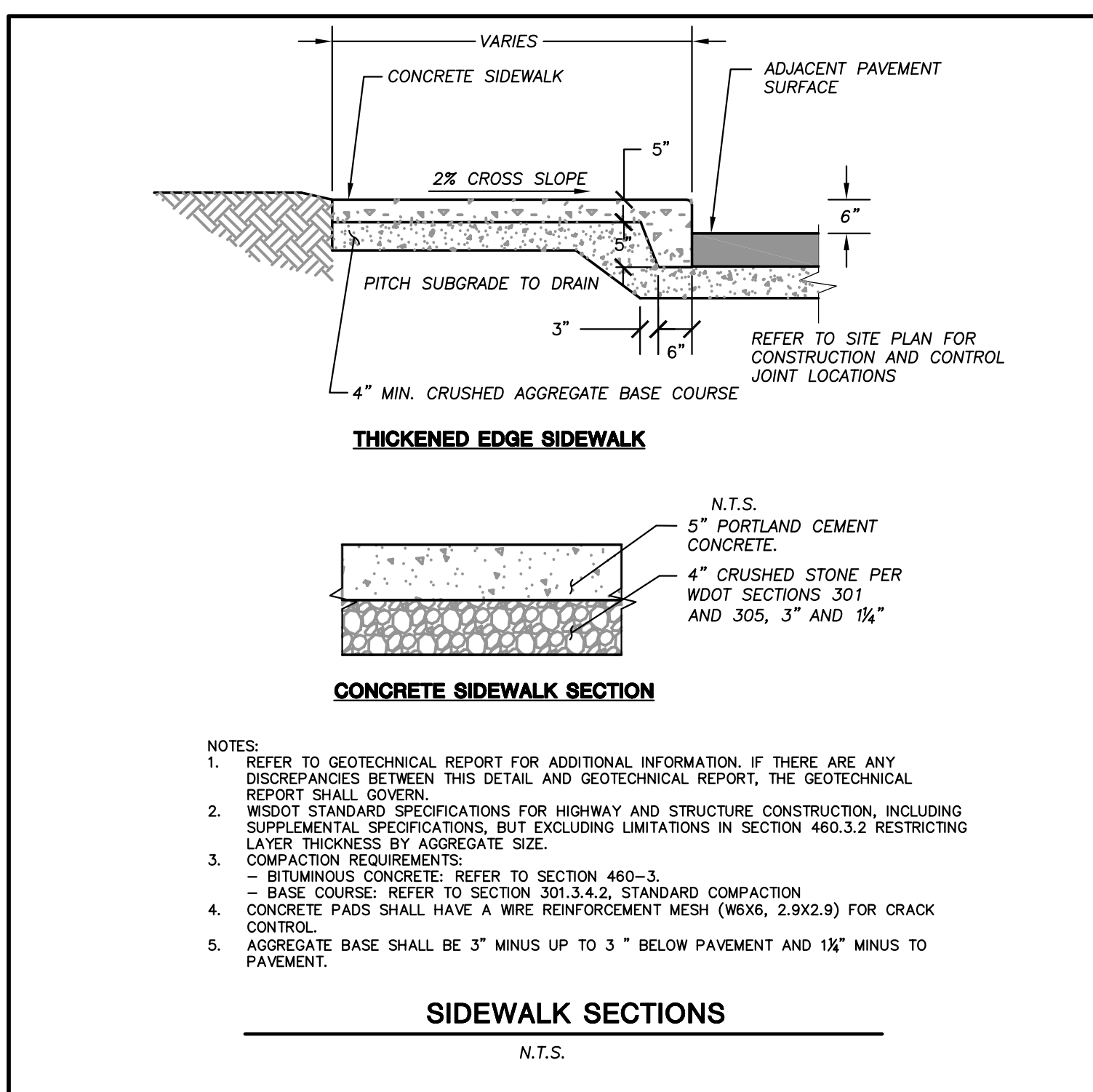
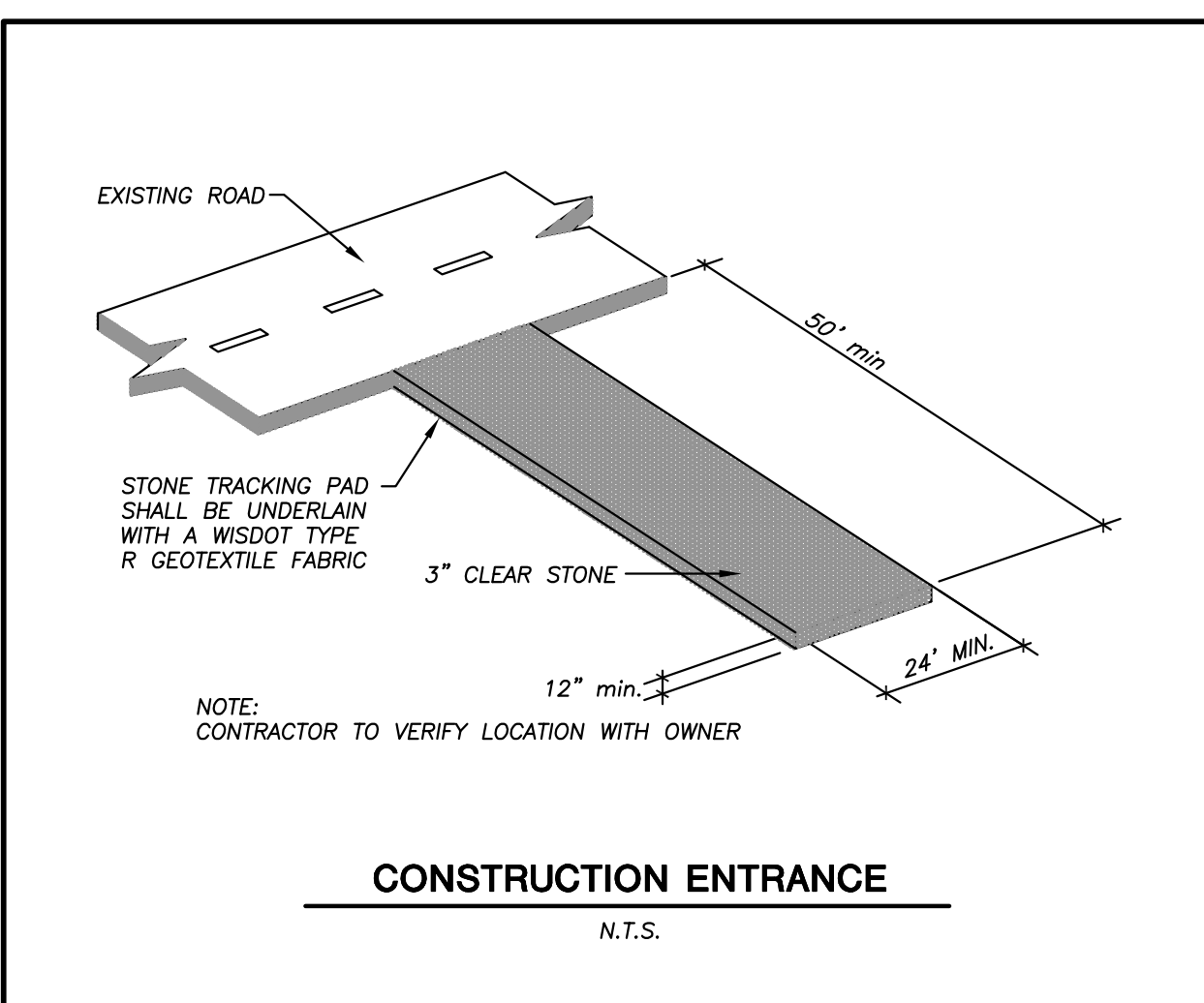
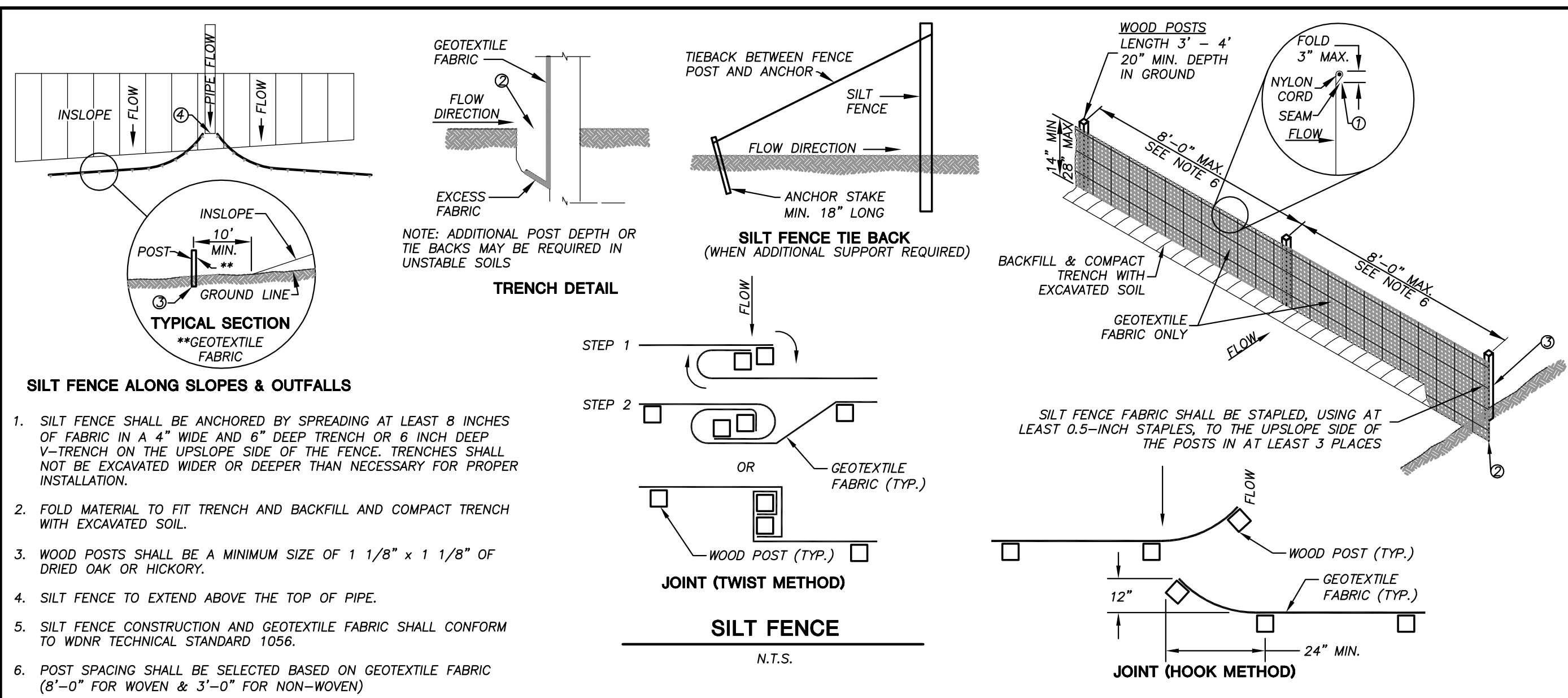
JSD PROJECT NO: 18-8469



- UTILITY NOTES:**
- IF ANY ERRORS, DISCREPANCIES, OR OMISSIONS WITHIN THE PLAN BECOME APPARENT, IT SHALL BE BROUGHT TO THE ATTENTION OF THE ENGINEER PRIOR TO CONSTRUCTION SO THAT CLARIFICATION OR REDESIGN MAY OCCUR.
 - LENGTHS OF ALL UTILITIES ARE TO CENTER OF STRUCTURES OR FITTINGS AND MAY VARY SLIGHTLY FROM PLAN. LENGTHS SHALL BE VERIFIED IN THE FIELD DURING CONSTRUCTION.
 - THE CONTRACTOR SHALL INSTALL A PEDESTRIAN FENCE AROUND ALL EXCAVATIONS TO BE LEFT OPEN OVER NIGHT AS REQUIRED.
 - THE PROPOSED IMPROVEMENTS MUST BE CONSTRUCTED IN ACCORDANCE WITH ENGINEERING PLANS DESIGNED TO MEET ORDINANCES AND REQUIREMENTS OF THE MUNICIPALITY AND WSDOT, WDSPS, AND WDNR.
 - PRIOR TO CONSTRUCTION, THE CONTRACTOR IS RESPONSIBLE FOR:
 - EXAMINING ALL SITE CONDITIONS RELATIVE TO THE CONDITIONS INDICATED ON THE ENGINEERING DRAWINGS. ANY DISCREPANCIES ARE TO BE REPORTED TO THE ENGINEER AND RESOLVED PRIOR TO THE START OF CONSTRUCTION.
 - OBTAINING ALL PERMITS INCLUDING PERMIT COSTS, TAP FEES, METER DEPOSITS, BONDS, AND ALL OTHER FEES REQUIRED FOR PROPOSED WORK TO OBTAIN OCCUPANCY.
 - VERIFYING UTILITY ELEVATIONS AND NOTIFYING ENGINEER OF ANY DISCREPANCY. NO WORK SHALL BE PERFORMED UNTIL THE DISCREPANCY IS RESOLVED.
 - NOTIFYING ALL UTILITIES PRIOR TO THE INSTALLATION OF ANY UNDERGROUND IMPROVEMENTS.
 - NOTIFYING THE DESIGN ENGINEER AND MUNICIPALITY 48 HOURS PRIOR TO THE START OF CONSTRUCTION TO ARRANGE FOR APPROPRIATE CONSTRUCTION OBSERVATION.
 - THE CONTRACTOR IS RESPONSIBLE FOR PROVIDING THE ENGINEER WITH AS-BUILT CONDITIONS OF THE DESIGNATED IMPROVEMENTS IN ORDER THAT THE APPROPRIATE DRAWINGS CAN BE PREPARED, IF REQUIRED. ANY CHANGES TO THE DRAWINGS OR ADDITIONAL ITEMS MUST BE REPORTED TO THE ENGINEER AS WORK PROGRESSES.
 - THE PRIME CONTRACTOR IS RESPONSIBLE FOR COORDINATING ALL CONSTRUCTION WITH OTHER CONTRACTORS INVOLVED WITH CONSTRUCTION OF THE PROPOSED DEVELOPMENT AND FOR REPORTING ANY ERRORS OR DISCREPANCIES BETWEEN THESE PLANS AND PLANS PREPARED BY OTHERS.
 - ANY SANITARY SEWER, SANITARY SEWER SERVICES, WATER MAIN, WATER SERVICES, STORM SEWER, OR OTHER UTILITIES, WHICH ARE DAMAGED BY THE CONTRACTORS, SHALL BE REPAIRED TO THE OWNER'S SATISFACTION AT THE CONTRACTOR'S EXPENSE.
 - CONTRACTOR IS RESPONSIBLE FOR SITE SAFETY DURING THE CONSTRUCTION OF IMPROVEMENTS.
 - CONTRACTOR SHALL CONTACT THE CITY OF WAUKESHA PUBLIC WORKS DEPARTMENT A MINIMUM OF 48 HOURS BEFORE CONNECTING TO PUBLIC UTILITIES. CONTRACTOR TO VERIFY SIZE AND DEPTH OF EXISTING UTILITY SERVICES AND REPORT ANY DISCREPANCIES TO THE ENGINEER PRIOR TO CONNECTING.
 - CONTRACTOR MUST CONTACT AND IS REQUIRED TO NOTIFY THE CITY OF WAUKESHA WATER UTILITY 48 HOURS IN ADVANCE OF CONNECTING TO THE PUBLIC UTILITY.
 - ALL WATER MAIN MUST BE CAPPED AT EVERY 2,000 FOOT INTERVAL. WATER MAIN MUST BE FILLED AND SAFE WATER TESTED PRIOR TO FILLING AND FLUSHING ANY ADDITIONAL 2,000 FOOT PIPE SEGMENTS, PER VILLAGE OF COTTAGE GROVE WATER & SEWER UTILITY. WATER MAIN INSTALLATION SEQUENCE:
 - INSTALL WATER MAIN - MUST LEAVE A GAP AT THE EXISTING MAIN.
 - FILL WATER MAIN (PRESSURE TEST THE WATER MAIN. CONTRACTOR OPTION)
 - OBTAIN A SAFE WATER SAMPLE
 - TAP SERVICES. TAPS MUST BE MADE UNDER SYSTEM PRESSURE
 - PRESSURE TEST MAIN
 - MAKE WET CONNECTION TO EXISTING WATER MAIN
 - CONNECTION WILL ALSO BE REQUIRED WHEN THE FOLLOWING CONDITIONS ARE MET: WATER MAIN INSTALLATION UP TO 2000' AND/OR 30 DAYS OF INACTIVITY OF WATER MAIN INSTALLATION, WHICH EVER COMES FIRST.
 - ALL PRIVATE SANITARY BUILDING PIPE AND TUBING SHALL CONFORM TO SPS 384.30-2.
 - ALL PRIVATE STORM BUILDING PIPE AND TUBING SHALL CONFORM TO SPS 384.30-3.
 - ALL PRIVATE PIPE AND TUBING FOR WATER SERVICE SHALL CONFORM TO SPS 384.30-4.
 - ALL PRIVATE STORM PIPE SHALL CONFORM TO SPS 382.40(B)(4).
 - ALL PRIVATE PIPE SHALL BE INSTALLED PER SPS 382.40-8 INCLUDING AT LEAST 8' OF HORIZONTAL DISTANCE BETWEEN WATER PIPING AND SANITARY SEWER FROM CENTER OF PIPE TO CENTER OF PIPE AND 6' OF SEPARATION BETWEEN STORM SEWER AND WATER PIPING.
 - ALL LOCATIONS WHERE STORM SEWER AND WATER MAIN ARE CROSSING AND LESS THAN 3 FEET OF VERTICAL/HORIZONTAL SEPARATION IS PROVIDED, WATER MAIN SHALL BE INSULATED PER STANDARD SPECIFICATIONS FOR SEWER AND WATER CONSTRUCTION IN WISCONSIN LATEST EDITION. INSULATION SHALL CREATE A "BOX" ENCLOSED THE TOP AND SIDES OF WATER MAIN.
 - ADJUST ALL EXISTING PUBLIC WATER VALVE BOXES, HYDRANTS, MANHOLE CASTINGS, AND INLET CASTINGS TO GRADE WITH ACCORDANCE WITH THE STANDARDS OF THE MUNICIPALITY. REPLACE VALVE BOXES, HYDRANT SHOES, AND MANHOLE/INLET SECTIONS AS REQUIRED.
 - SEE ELECTRICAL AND LIGHTING PLANS FOR SITE ELECTRIC, CABLE AND FIBER OPTICS FOR DETAILS AND ROUTING.
 - ALL CONNECTIONS TO WATER QUALITY CHAMBER SHALL BE PREFABRICATED WATERTIGHT CONNECTIONS.
- APPROXIMATE LOCATION OF EXISTING WATER LATERAL CONNECTION. CONTRACTOR TO FIELD VERIFY SIZE AND LOCATION PRIOR TO CONSTRUCTION AND REPORT ANY DISCREPANCY TO THE ENGINEER FOR REDESIGN/CONNECT TO EXISTING 4" DIP WATER SERVICE. TRANSITION GASKET - DIP TO PVC.

I:\2018\188469\DWG\188469 Con Docs.dwg, C:\0, 5/14/2018 11:45:01 AM, msanders
 File: I:\2018\188469\DWG\188469 Con Docs.dwg Layout: C4.0 User: msanders Plotted: May 14, 2018 - 11:45am .xref's

THESE PLANS AND DESIGNS ARE COPYRIGHT PROTECTED AND MAY NOT BE USED IN WHOLE OR IN PART WITHOUT THE WRITTEN CONSENT OF JSD PROFESSIONAL SERVICES, INC.



CREATE THE VISION TELL THE STORY

MADISON | MILWAUKEE
KENOSHA | APPLETON | WAUSAU

MADISON REGIONAL OFFICE
161 HORIZON DRIVE, SUITE 101
VERONA, WISCONSIN 53593
P. 608.848.5060

CLIENT:
SUMMIT CREDIT UNION

CLIENT ADDRESS:
**4800 American Parkway
MADISON, WI 53718**

PROJECT:
SUMMIT CREDIT UNION - WAUKESHA BRANCH

PROJECT LOCATION:
**2208 E MORELAND BOULEVARD
WAUKESHA COUNTY**

PLAN MODIFICATIONS:

#	Date:	Description:
1	04.09.18	CITY PLAN REVIEW
2	05.14.18	CITY RESUBMITTAL
3		
4		
5		
6		
7		
8		
9		
10		
11		
12		
13		
14		
15		

Design/Drawn:
Approved:

SHEET TITLE:
DETAILS

SHEET NUMBER:
C5.0

JSD PROJECT NO: 18-8469



File: I:\2018\188469\DWG\188469_Details.dwg Layout: C5.0 User: chuhta Plotted: May 11, 2018 - 5:00pm Xref:

THESE PLANS AND DESIGNS ARE COPYRIGHT PROTECTED AND MAY NOT BE USED IN WHOLE OR IN PART WITHOUT THE WRITTEN CONSENT OF JSD PROFESSIONAL SERVICES, INC.

PLANT SCHEDULE					
Ø1-DECIDUOUS TREES	QTY	BOTANICAL NAME	COMMON NAME	CONT	SIZE
	2	<i>Acer rubrum</i> 'October Glory'™	October Glory Maple	B & B	2.5" Cal
	2	<i>Amelanchier x grandiflora</i> 'Autumn Brilliance'	Autumn Brilliance Serviceberry	B & B	1.5" Cal
	2	<i>Malus x 'Spring Snow'</i>	Spring Snow Crab Apple	B & B	1.5" Cal
	1	<i>Tilia cordata</i> 'Greenspire'	Greenspire Littleleaf Linden	B & B	2.5" Cal
Ø2-EVERGREEN TREES	QTY	BOTANICAL NAME	COMMON NAME	CONT	SIZE
	16	<i>Thuja occidentalis</i> 'Holmstrup'	Holmstrup Arborvitae	B & B	Min. 6" Ht.

PLANT SCHEDULE					
Ø3-DECIDUOUS SHRUBS	QTY	BOTANICAL NAME	COMMON NAME	CONT	SIZE
	22	<i>Cornus stolonifera</i> 'Farrow'	Arctic Fire Redtwig Dogwood	3 gal	18-24" Ht.
	7	<i>Genista tinctoria</i>	Golden Temple Woodwaxen	2 gal	18-12" Ht.
	16	<i>Physocarpus opulifolius</i> 'Dart's Gold'	Yellow Ninebark	3 gal	18-24" Ht.
	16	<i>Spiraea fritschiana</i>	Korean Spirea	2 gal	18-12" Ht.
	12	<i>Viburnum dentatum</i> 'Raszam'	Raspberry Tart Viburnum	3 gal	18-24" Ht.
	17	<i>Viburnum opulus</i> 'Compactum'	Compact European Cranberrybush	3 gal	18-24" Ht.
Ø4-EVERGREEN SHRUBS	QTY	BOTANICAL NAME	COMMON NAME	CONT	SIZE
	28	<i>Juniperus horizontalis</i> 'Bar Harbor'	Bar Harbor Juniper	3 gal	18-12" Ht.
	11	<i>Microbiota decussata</i> 'Candrew'	Drew's Blue Siberian Carpet Cypress	3 gal	6" Ht.
	42	<i>Thuja occidentalis</i> 'Hetz Midget'	Hetz Midget Arborvitae	3 gal	18-24" Ht.

Ø5-ORNAMENTAL GRASSES					
QTY	BOTANICAL NAME	COMMON NAME	CONT	SIZE	
68	<i>Calamagrostis brachytricha</i>	Reed Grass	1 gal	18-24" Ht.	
67	<i>Deschampsia cespitosa</i> 'Goldtau'	Gold Dew Tufted Hair Grass	4" pot	18-12" Ht.	
52	<i>Panicum virgatum</i> 'Heavy Metal'	Heavy Metal Switch Grass	1 gal	18-24" Ht.	
77	<i>Panicum virgatum</i> 'Northwind'	Northwind Switch Grass	1 gal	18-24" Ht.	
14	<i>Sporobolus heterolepis</i>	Prairie Dropseed	1 gal	18-12" Ht.	
Ø6-PERENNIALS					
QTY	BOTANICAL NAME	COMMON NAME	CONT	SIZE	
5	<i>Astilbe x arendsii</i> 'Bridal Veil'	Bridal Veil Astilbe	1 gal	18-12" Ht.	
9	<i>Echinacea purpurea</i> 'White Swan'	White Swan Coneflower	1 gal	18-12" Ht.	
16	<i>Echinacea purpurea</i> 'Ruby Star'	Ruby Star Coneflower	1 gal	18-12" Ht.	
66	<i>Hemerocallis x 'Stella de Oro'</i>	Stella de Oro Daylily	4" pot	18-12" Ht.	



CREATE THE VISION TELL THE STORY

MADISON | MILWAUKEE
KENOSHA | APPLETON | WAUSAU

MADISON REGIONAL OFFICE
161 HORIZON DRIVE, SUITE 101
VERONA, WISCONSIN 53593
P. 608.848.5060

CLIENT:
SUMMIT CREDIT UNION

CLIENT ADDRESS:
**4800 American Parkway
MADISON, WI 53718**

PROJECT:
SUMMIT CREDIT UNION - WAUKESHA BRANCH

PROJECT LOCATION:
**2208 E MORELAND BOULEVARD
WAUKESHA COUNTY**

PLAN MODIFICATIONS:		
#	Date:	Description:
1	04.09.18	CITY PLAN REVIEW
2	05.14.18	CITY RESUBMITTAL
3		
4		
5		
6		
7		
8		
9		
10		
11		
12		
13		
14		
15		

Design/Drawn: ABK
Approved: MAS

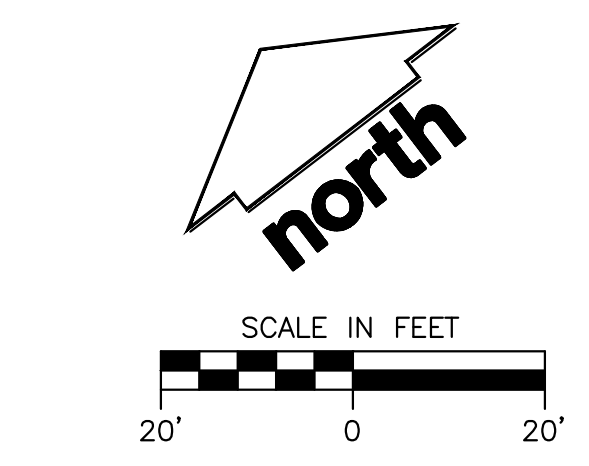
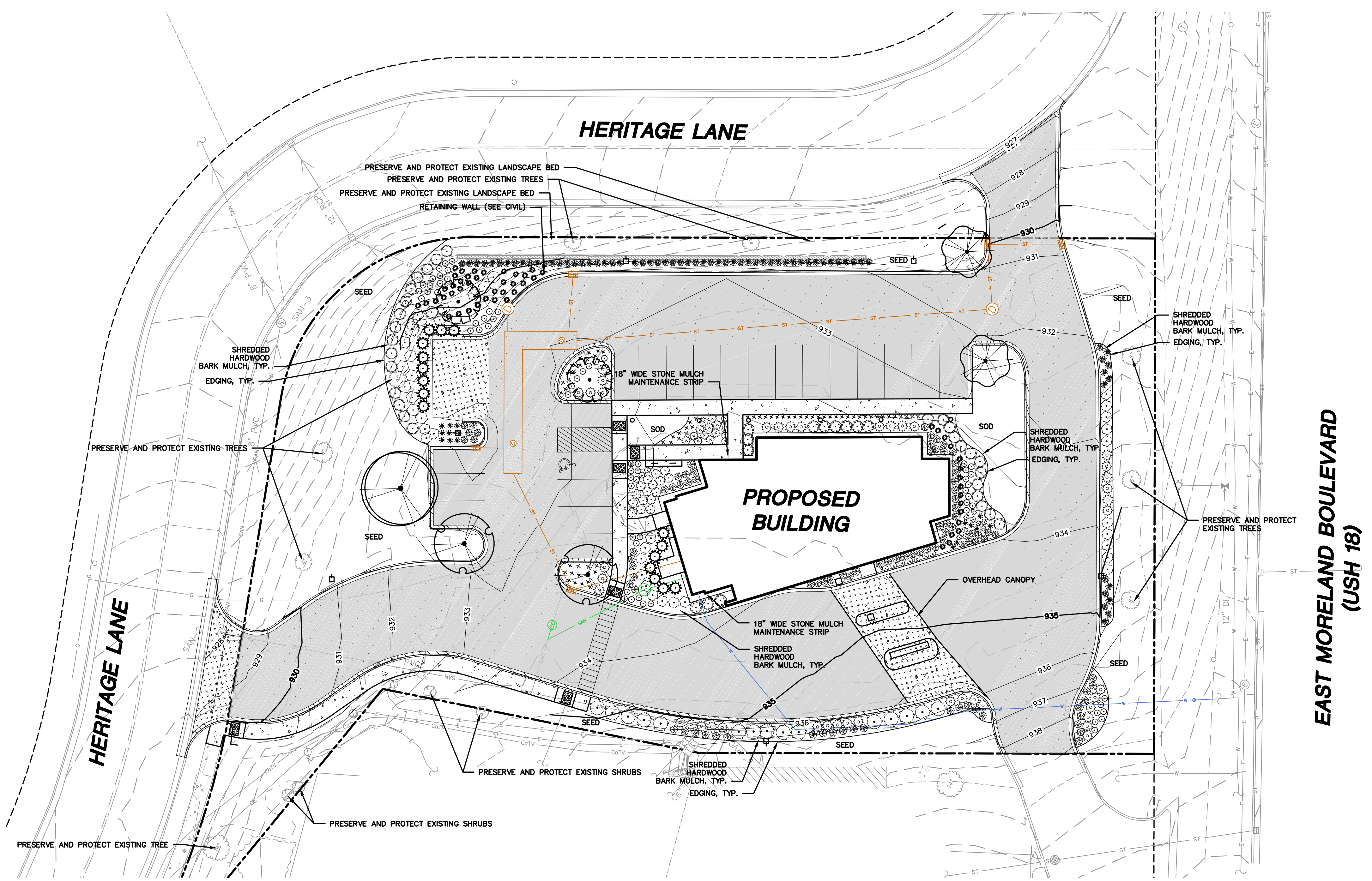
SHEET TITLE:
LANDSCAPE PLAN

SHEET NUMBER:
L1.0

JSD PROJECT NO: 18-8469

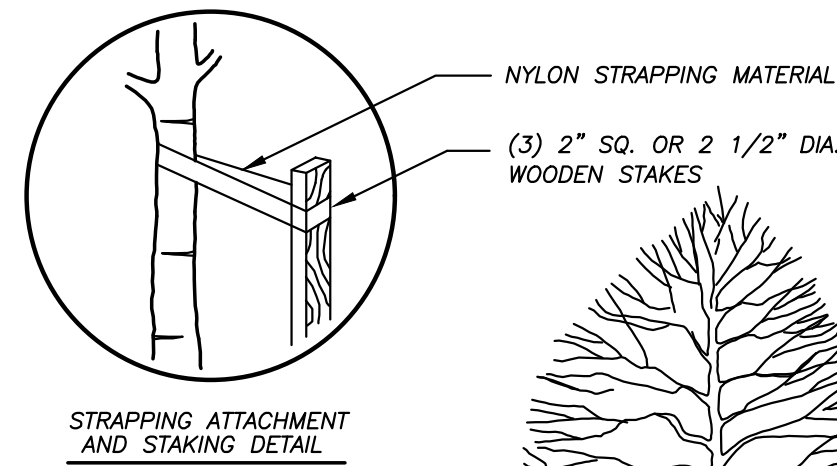
LEGEND (PROPOSED)	
	PROPERTY LINE
	SETBACK LINE
	EASEMENT LINE
	BUILDING LINE
	BUILDING OVERHANG LINE
	EDGE OF CONCRETE
	STANDARD CURB AND GUTTER
	REJECT CURB AND GUTTER
	PROPOSED CONCRETE PAVEMENT
	PROPOSED HEAVY DUTY CONCRETE PAVEMENT
	PROPOSED ASPHALT PAVEMENT
	PROPOSED HEAVY DUTY ASPHALT PAVEMENT
	LIGHT POLE
	BOLLARD

- GENERAL NOTES:**
- REFER TO THE EXISTING CONDITIONS SURVEY FOR EXISTING CONDITIONS NOTES AND LEGEND.
 - ALL WORK IN THE ROW SHALL BE IN ACCORDANCE WITH THE CITY OF WAUKESHA STANDARD SPECIFICATIONS FOR PUBLIC WORKS CONSTRUCTION.
 - JSD SHALL BE HELD HARMLESS AND DOES NOT WARRANT ANY DEVIATIONS BY THE OWNER/CONTRACTOR FROM THE APPROVED CONSTRUCTION PLANS THAT MAY RESULT IN DISCIPLINARY ACTIONS BY ANY OR ALL REGULATORY AGENCIES.
 - DRAWING FOR REVIEW - NOT FOR CONSTRUCTION UNLESS OTHERWISE NOTED IN THE TITLE BLOCK.
 - THE LANDSCAPE CONTRACTOR SHALL COORDINATE ALL FINE GRADING AND TOPSOILING WITH GENERAL CONTRACTOR.
 - REFER TO SHEET L2.0 FOR ADDITIONAL DETAILS, NOTES AND SPECIFICATION INFORMATION INCLUDING MATERIALS, GUARANTEE AND EXECUTION RELATED TO LANDSCAPE PLAN.

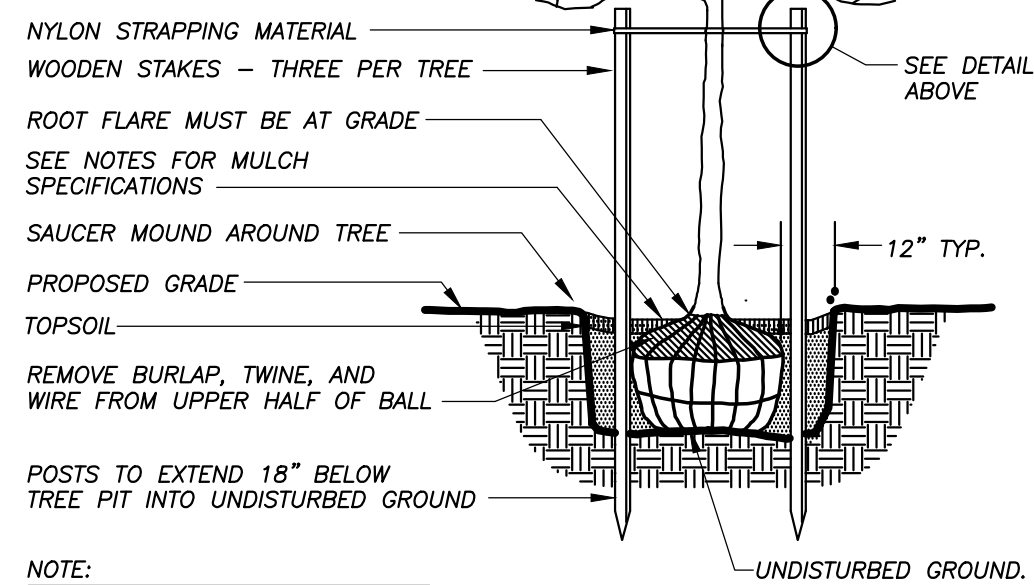


File: I:\2018\188469\DWG\188469_Landscape.dwg Layout: L1.0 User: akoniewski Plotted: May 14, 2018 - 11:49am Xref's: 188469 Summit Credit Union - Waukesha

THESE PLANS AND DESIGNS ARE COPYRIGHT PROTECTED AND MAY NOT BE USED IN WHOLE OR IN PART WITHOUT THE WRITTEN CONSENT OF JSD PROFESSIONAL SERVICES, INC.



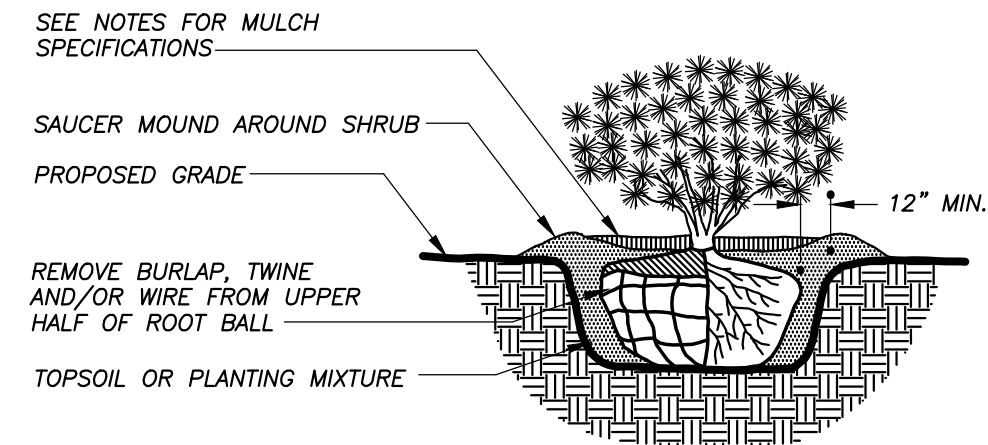
STRAPPING ATTACHMENT AND STAKING DETAIL



NOTE:
1. ROOT FLARE TO BE EXPOSED.
2. DIG HOLE NO DEEPER THAN BASE OF ROOT BALL TO FLARE.
3. ROOT BALL TO BE SET ON UNDISTURBED GROUND.

DECIDUOUS TREE PLANTING DETAIL

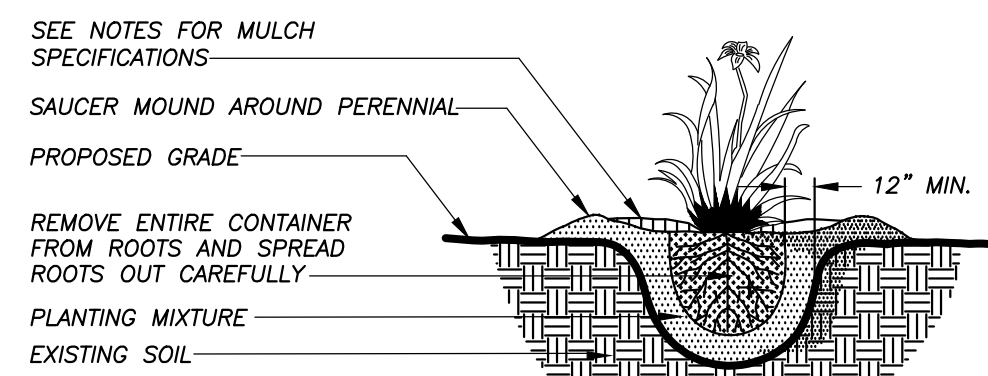
N.T.S.



NOTE:
1. ROOT FLARE TO BE EXPOSED.
2. DIG HOLE NO DEEPER THAN BASE OF ROOT BALL TO FLARE.

EVERGREEN SHRUB PLANTING DETAIL

N.T.S.



NOTE:
1. ROOT FLARE TO BE EXPOSED

PERENNIAL/ORNAMENTAL GRASS PLANTING DETAIL

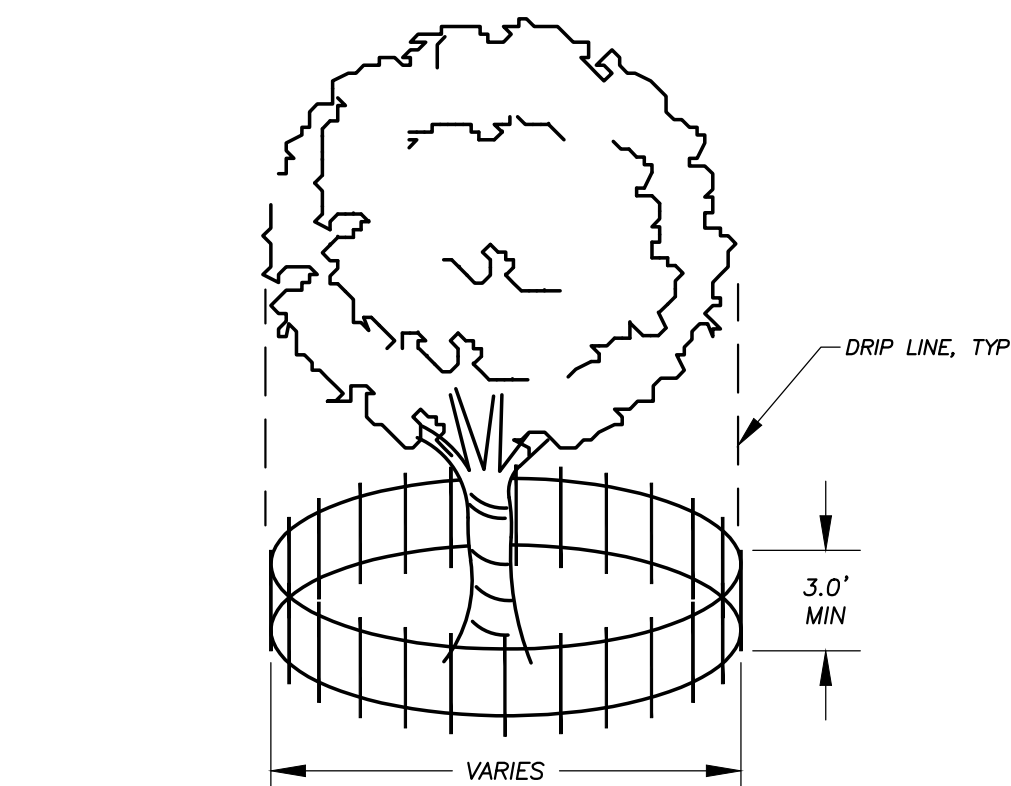
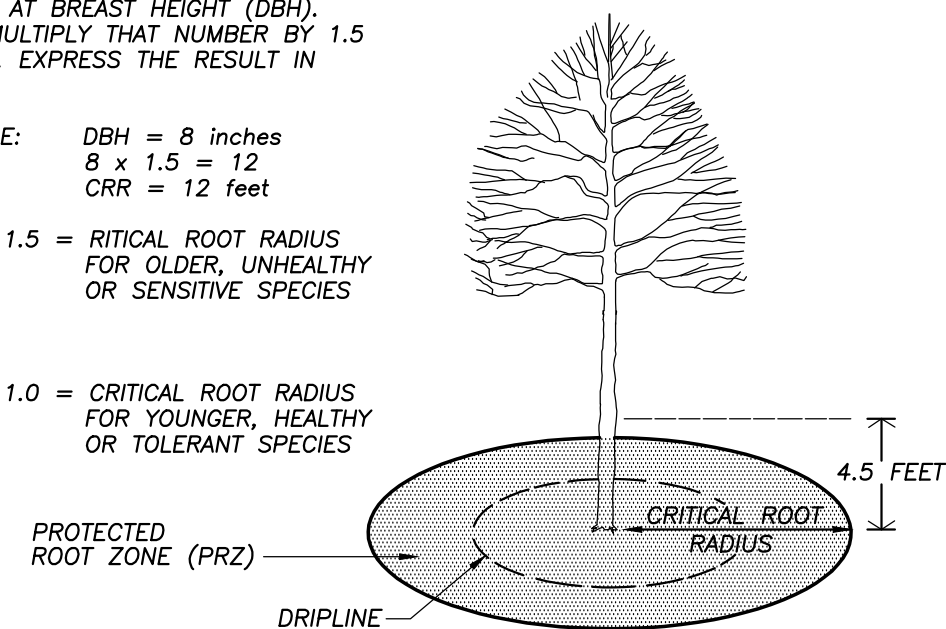
N.T.S.

APPROXIMATE A TREE'S PROTECTED ROOT ZONE BY CALCULATING THE CRITICAL ROOT RADIUS (CRR). FIRST, MEASURE THE TREE DIAMETER IN INCHES AT BREAST HEIGHT (DBH), THEN MULTIPLY THAT NUMBER BY 1.5 OR 1.0. EXPRESS THE RESULT IN FEET.

EXAMPLE: DBH = 8 inches
 $8 \times 1.5 = 12$
CRR = 12 feet

DBH x 1.5 = CRITICAL ROOT RADIUS FOR OLDER, UNHEALTHY OR SENSITIVE SPECIES

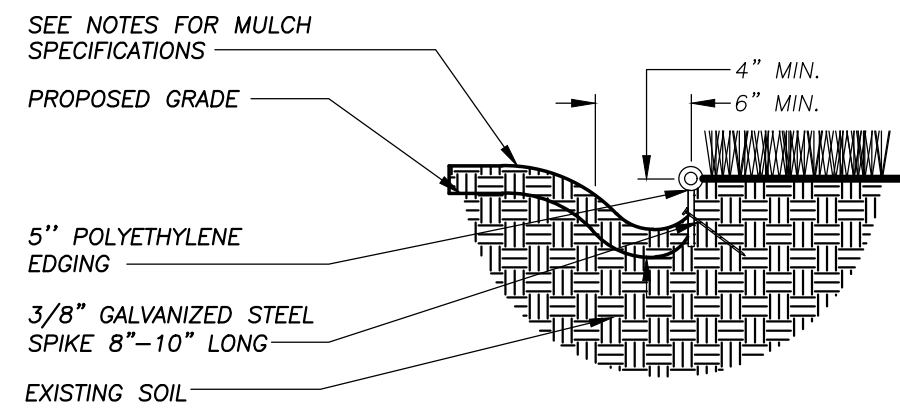
OR
DBH x 1.0 = CRITICAL ROOT RADIUS FOR YOUNGER, HEALTHY OR TOLERANT SPECIES



TREE NOTES:
1. CONTRACTOR SHALL INSTALL TREE PROTECTION FENCING IN THE AREA SURROUNDING THE TREE WITHIN THE CRITICAL ROOT RADIUS
2. NO EXCAVATION IS PERMITTED WITHIN THE CRITICAL ROOT RADIUS
3. IF EXCAVATION WITHIN THE CRITICAL ROOT RADIUS OF ANY TREE IS NECESSARY, CONTRACTOR SHALL CONTACT CITY FORESTER PRIOR TO EXCAVATION TO ASSESS THE IMPACT TO THE TREE AND ROOT SYSTEM.

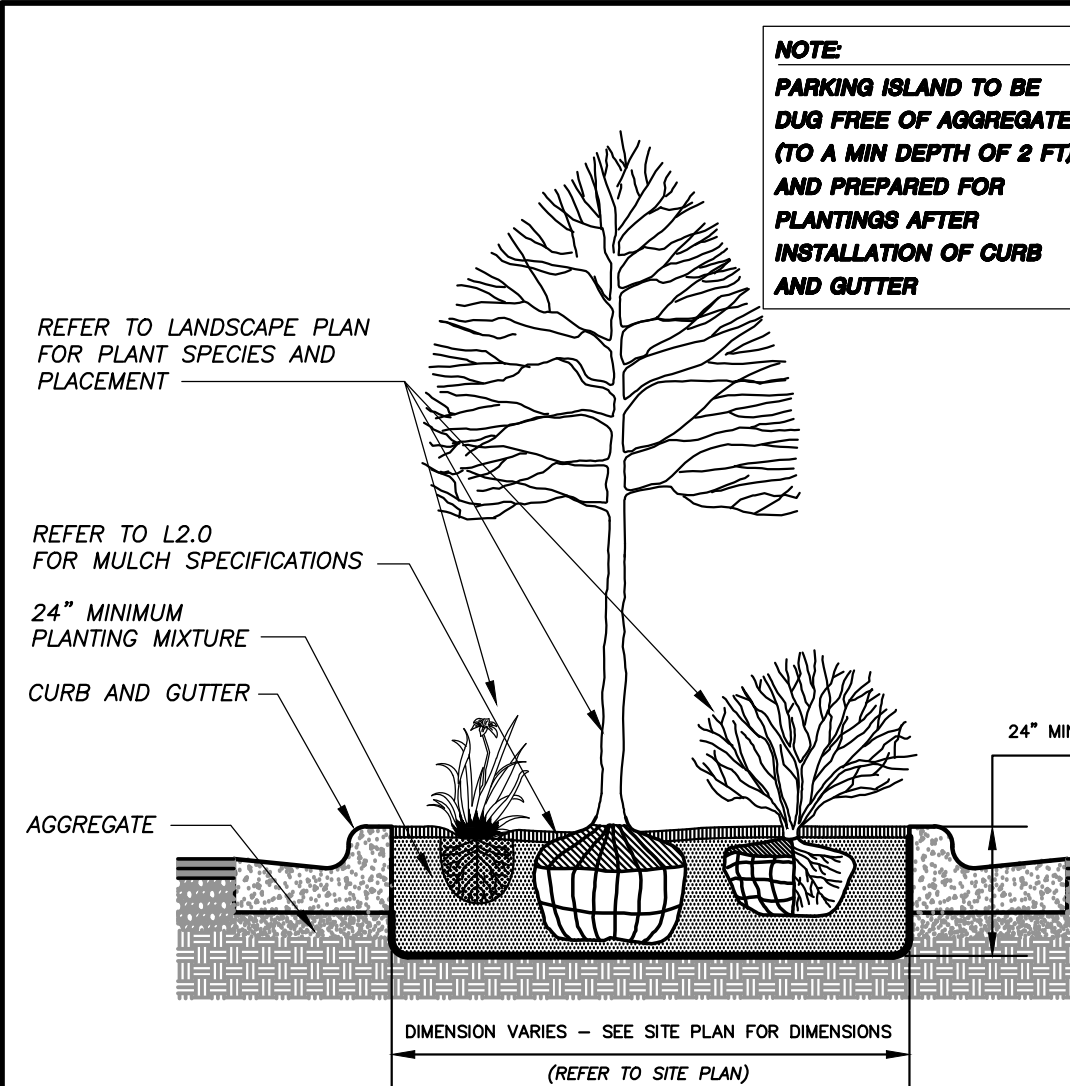
TREE PROTECTION DETAIL

N.T.S.



LANDSCAPE EDGING DETAIL

N.T.S.



TYPICAL PARKING ISLAND DETAIL

N.T.S.

NOTE:
PARKING ISLAND TO BE DUG FREE OF AGGREGATE TO A MIN DEPTH OF 2 FT AND PREPARED FOR PLANTINGS AFTER INSTALLATION OF CURB AND GUTTER

GENERAL NOTES

- GENERAL: ALL WORK IN THE R-O-W AND PUBLIC EASEMENTS SHALL BE IN ACCORDANCE WITH LOCAL MUNICIPAL REQUIREMENTS. JSD SHALL BE HELD HARMLESS AND DOES NOT WARRANT ANY DEVIATIONS BY THE OWNER/CONTRACTOR FROM THE APPROVED CONSTRUCTION PLANS THAT MAY RESULT IN DISCIPLINARY ACTIONS BY ANY OR ALL REGULATORY AGENCIES. LOCATE ALL UTILITIES PRIOR TO CONSTRUCTION. THE CONTRACTOR IS RESPONSIBLE FOR REPAIRING ANY DAMAGE DONE TO UTILITIES. CONTRACTOR MUST CALL 1-800-382-5444 FOR UTILITY LOCATIONS AT LEAST THREE DAYS PRIOR TO DIGGING. HAND DIG AND INSTALL ALL PLANTS THAT ARE NEAR EXISTING UTILITIES. PROTECT PREVIOUSLY INSTALLED WORK OF OTHER TRADES. CONTRACTOR IS RESPONSIBLE FOR STAKING THE PLANT MATERIALS FOR REVIEW BY OWNER PRIOR TO DIGGING AND PLACEMENT AND SHALL COORDINATE ALL FINE GRADING AND RESTORATION WITH THE GRADING CONTRACTOR.
- DELIVERY AND HANDLING: DO NOT DELIVER MORE PLANT MATERIALS THAN CAN BE PLANTED IN ONE DAY, UNLESS ADEQUATE, APPROPRIATE AND SECURE STORAGE IS PROVIDED AND APPROVED BY OWNER'S REPRESENTATIVE. AT ALL TIMES, PROTECT ALL PLANT MATERIALS FROM WIND AND DIRECT SUN. DELIVER PLANTS WITH LEGIBLE IDENTIFICATION LABELS. PROTECT PLANTS DURING DELIVERY AND DO NOT PRUNE PRIOR TO DELIVERY. ALL TREES AND SHRUBS SHALL BE PLANTED ON THE DAY OF DELIVERY; IF THIS IS NOT POSSIBLE, PROTECT THE PLANT MATERIALS NOT PLANTED BY STORING THEM IN A SHADED, SECURE AREA, PROTECTING THE ROOT MASS WITH WET SOIL, MULCH, HAY OR OTHER SUITABLE MEDIUM. CONTRACTOR TO KEEP ALL PLANT MATERIALS ADEQUATELY WATERED TO PREVENT ROOT DESICCATION. DO NOT REMOVE CONTAINER GROWN STOCK FROM CONTAINERS BEFORE TIME OF PLANTING. DO NOT PICK UP CONTAINER OR BALLED PLANTS BY STEM OR ROOTS. ALL PLANTS SHALL BE LIFTED AND HANDLED FROM THE BOTTOM OF THE CONTAINER OR BALL. PERFORM ACTUAL PLANTING ONLY WHEN WEATHER AND SOIL CONDITIONS ARE SUITABLE IN ACCORDANCE WITH LOCALLY ACCEPTED BEST HORTICULTURAL PRACTICES.
- MATERIALS - PLANTS: ALL PLANTS SHALL CONFORM TO THE AMERICAN STANDARD FOR NURSERY STOCK ANSI Z60.1-2004. PLANTS SHALL BE TRUE TO SPECIES AND VARIETY SPECIFIED AND NURSERY GROWN IN ACCORDANCE WITH GOOD HORTICULTURAL PRACTICES UNDER CLIMATIC CONDITIONS SIMILAR TO THOSE IN THE LOCALITY OF THE PROJECT FOR AT LEAST 2 YEARS. PLANTS SHALL BE FRESHLY DUG (DURING THE MOST RECENT FAVORABLE HARVEST SEASON). PLANTS SHALL BE SO TRAINED IN DEVELOPMENT AND APPEARANCE AS TO BE UNQUESTIONABLY SUPERIOR IN FORM, COMPACTNESS, AND SYMMETRY. PLANTS SHALL BE SOUND, HEALTHY, VIGOROUS, WELL BRANCHED AND DENSELY FOLIATED WHEN IN LEAF, AND FREE OF DISEASE AND INSECTS (ADULT EGGS, PUPAE OR LARVAE). THEY SHALL HAVE HEALTHY, WELL-DEVELOPED ROOT SYSTEMS AND SHALL BE FREE FROM PHYSICAL DAMAGE OR OTHER CONDITIONS THAT WOULD PREVENT THRIVING GROWTH. PLANTS SHALL BE OF THE HIGHEST QUALITY, POSSESS TYPICAL GROWTH HABITS AND FORM FOR THEIR SPECIES AND BE FREE OF INJURY. PARKWAY TREES AND PARKING LOT TREES SHALL HAVE A MINIMUM BRANCHING HEIGHT OF SIX (6) FEET ABOVE THE GROUND TO ALLOW ADEQUATE VISUAL AND PHYSICAL CLEARANCE.
- PRUNING: THE CONTRACTOR SHALL PRUNE ALL TREES AND REPAIR ANY INJURIES THAT OCCURRED DURING THE PLANTING PROCESS. DOUBLE LEADERS, DEAD BRANCHES, AND LIMBS DAMAGED OR BROKEN DURING THE PLANTING PROCESS SHALL BE PRUNED. THIS SHALL BE THE ONLY PRUNING ALLOWED AT PLANTING. PRUNING SHALL CONFORM TO AMERICAN STANDARD FOR TREE CARE OPERATIONS, ANSI A300. PRUNE TREES IN ACCORDANCE WITH NAA GUIDELINES. DO NOT TOP TREES. PRUNE SHRUBS ACCORDING TO STANDARD HORTICULTURAL PRACTICES. ON CUTS OVER 3/4" IN DIAMETER AND BRUISES OR SCARS ON BARK, TRACE THE INJURED CAMBIAL LAYER BACK TO LIVING TISSUE AND REMOVE. SMOOTH AND SHAPE WOUNDS SO AS NOT TO RETAIN WATER. TREAT THE AREA WITH AN APPROVED INCONSPICUOUS LATEX BASED ANTISEPTIC TREE PAINT, IF PRUNING OCCURS "IN SEASON", DO NOT PRUNE ANY OAK TREES DURING THE MONTHS FROM APRIL TO OCTOBER.
- CLEANUP: DISPOSED OF EXCESS SOIL. REMOVE ALL CUTTINGS AND WASTE MATERIALS. SOIL, BRANCHES, BINDING AND WRAPPING MATERIALS, REJECTED PLANTS, OR OTHER DEBRIS RESULTING FROM ANY PLANTING SHALL BE PROMPTLY CLEANED UP AND REMOVED. THE WORK AREA SHALL BE KEPT SAFE AND NEAT AT ALL TIMES. UNDER NO CIRCUMSTANCES SHALL THE ACCUMULATION OF SOIL, BRANCHES OR OTHER DEBRIS BE ALLOWED UPON A PUBLIC PROPERTY IN SUCH A MANNER AS TO RESULT IN A PUBLIC SAFETY HAZARD. LIKEWISE, UNDER NO CIRCUMSTANCES SHALL ANY DEBRIS OR INCIDENTAL MATERIALS BE ALLOWED UPON ADJACENT PRIVATE PROPERTY.

LANDSCAPE MATERIAL NOTES

- MATERIALS - SOIL: PLANTING SOIL SHALL MEET THESE REQUIREMENTS:
A. PLANTING AREAS = 24"
B. TREE PITS = SEE DETAILS
- PLANTING SOIL TO BE A MINIMUM 24" DEPTH, UNLESS OTHERWISE SPECIFIED AS ABOVE OR ON DETAILS. TOPSOIL TO BE CLEAN, FRIABLE LOAM FROM A LOCAL SOURCE, FREE FROM STONES OR DEBRIS OVER 3/4" IN DIAMETER, AND FREE FROM TOXINS. TOPSOIL SHALL HAVE A pH VALUE BETWEEN 6 AND 7. TOPSOIL AND PLANTING SOIL SHALL BE TESTED TO CONFORM TO THESE SPECIFICATIONS AND SHALL BE AMENDED TO MEET THESE SPECIFICATIONS. PROVIDE TEST RESULTS TO OWNER'S REPRESENTATIVE PRIOR TO PLACEMENT DO NOT PLACE FROZEN OR MUDDY TOPSOIL. APPLY SOIL AMENDMENTS TO ALL LANDSCAPE AREAS PER SOIL TEST.
- MATERIALS - SHREDDED HARDWOOD BARK MULCH: ALL PLANTING AREAS LABELED ON PLAN SHALL RECEIVE CERTIFIED WEED FREE SHREDDED HARDWOOD BARK MULCH OVER ALL PLANTING AREAS. SHREDDED HARDWOOD BARK MULCH SIZE & COLOR TO BE APPROVED BY OWNER'S REPRESENTATIVE PRIOR TO INSTALLATION. FERTILIZER SHALL BE IN ACCORDANCE WITH APPLICABLE LOCAL, COUNTY AND STATE OF WISCONSIN REQUIREMENTS. SHREDDED HARDWOOD BARK MULCH AREAS SHALL NOT RECEIVE WOVEN WEED BARRIER FABRIC.
- MATERIALS - STONE MULCH: ALL PLANTING AREAS LABELED ON PLAN SHALL RECEIVE DECORATIVE STONE MULCH SPREAD TO A CONSISTENT DEPTH OF THREE INCHES OVER ENTIRE PLANTING AREA. DECORATIVE STONE MULCH TYPE, SIZE & COLOR TO BE APPROVED BY OWNER IN ACCORDANCE WITH APPLICABLE LOCAL, COUNTY AND STATE OF WISCONSIN REQUIREMENTS. STONE MULCH AREAS SHALL RECEIVE WOVEN WEED BARRIER FABRIC.
- MATERIALS - TREE & SHRUB RINGS: ALL TREES AND/OR SHRUBS PLANTED IN SEEDED LAWN AREAS TO BE INSTALLED WITH A MINIMUM 5' DIAMETER SHREDDED HARDWOOD BARK MULCH TREE RING SPREAD TO A CONSISTENT DEPTH OF 4 INCHES. ALL TREE RINGS SHOULD BE INSTALLED WITH 6" DEPTH SHOVEL CUT EDGE, ANGLED 45 DEGREES INTO SOIL AT A 5' DIAMETER ABOUT THE CENTER OF THE TREE. PLANTING. A PRE-EMERGENT GRANULAR HERBICIDE WEED-PREVENTER SHOULD BE MIXED WITH MULCH USED TO INSTALL TREE RING AS WELL AS TOPICALLY APPLIED TO FINISHED INSTALLATION OF TREE RING.
- MATERIALS - WEED BARRIER FABRIC: ALL DECORATIVE STONE MULCH PLANTING AREAS SHALL BE INSTALLED WITH WOVEN WEED BARRIER FABRIC. NO PLASTIC/IMPERVIOUS BARRIERS WILL BE PERMITTED. EXAMPLE: BLACK VISQUEEN. SHREDDED HARDWOOD BARK MULCH AREAS SHALL NOT RECEIVE WOVEN WEED BARRIER FABRIC.
- MATERIALS - EDGING: EDGING SHALL BE 5" DEEP, POLYETHYLENE EDGING. OWNER'S REPRESENTATIVE SHALL APPROVE PRODUCT SPECIFICATION PROVIDED BY LANDSCAPE CONTRACTOR.
- MATERIALS - SEED: DISTURBED LAWN AREAS LABELED ON PLAN AS SUCH, SHALL BE SPREAD BY HAND BROADCAST METHOD OR APPROPRIATE SPREADER EQUIPMENT WITH EARTH CARPET'S "MADISON PARKS" OR EQUIVALENT AS APPROVED BY THE OWNER'S REPRESENTATIVE, INSTALLED PER MANUFACTURER'S RECOMMENDATIONS. IN ADDITION TO LAWN SEED, ANNUAL RYE SHALL BE APPLIED TO ALL DISTURBED AREAS AT A RATE OF 1 1/2 LBS PER 1000 SQUARE FEET. FERTILIZE AND MULCH PER MANUFACTURER'S RECOMMENDATIONS.
- MATERIALS - SOD: ALL AREAS SPECIFIED ON PLAN PER THESE NOTES: TURFGRASS SOD: CLASS OF TURFGRASS SOD SHALL BE PREMIUM GRADE APPROVED TURFGRASS SOD. ONLY IMPROVED TYPES OF SOD (ELITE) ARE ACCEPTABLE. TURFGRASS SHALL BE MACHINE CUT AT A UNIFORM THICKNESS OF .60 INCH, PLUS OR MINUS .25 INCH, AT TIME OF CUTTING. MEASUREMENT FOR THICKNESS SHALL EXCLUDE TOP GROWTH AND THATCH. LAUREL TURFGRASS SOD SHALL BE CUT TO THE SUPPLIER'S STANDARD WIDTH (36-48 INCHES) AND LENGTH. BROKEN PADS AND TORN OR UNEVEN ENDS WILL NOT BE ACCEPTABLE. STANDARD SIZE SECTIONS OF TURFGRASS SOD SHALL BE STRONG ENOUGH SO THAT THEY CAN BE PICKED UP AND HANDLED WITHOUT DAMAGE. TURFGRASS SOD SHALL NOT BE HARVESTED OR TRANSPORTED WHEN MOISTURE CONTENT IS EXCESSIVELY DRY OR WET, AS THIS MAY ADVERSELY AFFECT ITS SURVIVAL. POST-PLANT IRRIGATION WILL BE NECESSARY TO ENSURE SOD STAYS ALIVE AND ROOTS INTO SOIL. THE CONTRACTOR IS RESPONSIBLE FOR WATERING SOD UNTIL TIME OF ACCEPTANCE BY THE OWNER. TURFGRASS SOD SHALL BE HARVESTED, DELIVERED, AND INSTALLED/TRANSPORTED WITH A PERIOD OF 24 HOURS. TURFGRASS SOD SHALL BE RELATIVELY FREE OF THATCH, UP TO .5 INCH ALLOWABLE (UNCOMPRESSED). TURFGRASS SOD SHALL BE REASONABLY FREE (10 WEEDS/100 SQ. FT.) OF DISEASES, NEMATODES AND SOIL-BORNE INSECTS. ALL TURFGRASS SOD SHALL BE FREE OF GRASSY AND BROAD LEAF WEEDS. THE SOD SUPPLIER SHALL MAKE RECOMMENDATIONS TO THE CONTRACTOR REGARDING WATERING SCHEDULE. THE WATERING SCHEDULE SHOULD BEGIN IMMEDIATELY AFTER SOD IS INSTALLED.
- MATERIALS - IRRIGATION: DRIP IRRIGATION TO BE INSTALLED SURROUNDING FOUNDATION. SEE PLUMBING DRAWINGS AND SPECIFICATIONS.
- MATERIALS - IRRIGATION:
11.1. BASE BID: TEMPORARY DRIP IRRIGATION (DARK BROWN IN COLOR) TO BE INSTALLED IN ALL PLANT BEDS SURROUNDING THE BUILDING.
11.2. ALTERNATE BID: PERMANENT IN-GROUND IRRIGATION SYSTEM TO BE INSTALLED WITH COVERAGE AREA TO INCLUDE ALL PERIMETER PLANT BEDS, PARKING LOT ISLANDS AND TURFGRASS AREAS.

CONTRACTOR AND OWNER RESPONSIBILITY NOTES

- GUARANTEE: THE CONTRACTOR SHALL GUARANTEE ALL PLANTS THROUGH ONE (1) YEAR AFTER ACCEPTANCE BY THE OWNER'S REPRESENTATIVE. PLANTS SHALL BE ALIVE AND IN HEALTHY AND FLOURISHING CONDITION AT THE END OF THE GUARANTEE PERIOD. THE CONTRACTOR SHALL REPLACE (AT NO COST TO OWNER) ANY PLANTS THAT ARE DEAD OR NOT IN A VIGOROUS THRIVING CONDITION. REPLACEMENT PLANTS SHALL BE OF THE SAME KIND AND SIZE AS ORIGINALLY SPECIFIED UNLESS OTHERWISE DIRECTED BY OWNER'S REPRESENTATIVE. RESTORE BEDS AS NECESSARY FOLLOWING PLANT REPLACEMENT, INCLUDING BUT NOT LIMITED TO BEDDING, EDGING, MULCH, ETC. REPLACE PLANTS DAMAGED AT TIME OF PLANTING. REPAIR AREAS DISTURBED IN ANY WAY DURING PLANT REPLACEMENT AT NO COST TO OWNER. CONTRACTOR SHALL PROVIDE A TWO (2)-YEAR STRAIGHTENING GUARANTEE FOR ALL TREES.
- CONTRACTOR IS RESPONSIBLE FOR STAKING THE PLANT MATERIALS FOR REVIEW BY OWNER'S REPRESENTATIVE PRIOR TO DIGGING AND PLACEMENT AND SHALL COORDINATE ALL FINE GRADING AND RESTORATION WITH THE GRADING CONTRACTOR.
- MAINTENANCE: (CONTRACTOR) FOR ALL PLANTINGS, SEEDED AREAS AND SODDED LAWN AREAS: THE CONTRACTOR SHALL MAINTAIN ALL PLANTINGS AND LAWN AREAS FOR A MINIMUM TIME PERIOD OF 60 DAYS, UNTIL FINAL ACCEPTANCE BY OWNER'S REPRESENTATIVE. THE CONTRACTOR IS RESPONSIBLE FOR ADEQUATELY WATERING PLANTS AND LAWN/TURFGRASS DURING THIS 60 DAY ESTABLISHMENT PERIOD. CONTRACTOR IS RESPONSIBLE FOR THE ESTABLISHMENT OF HEALTHY VIGOROUS PLANT MATERIALS AND LAWN/TURFGRASS GROWTH. CONTRACTOR SHALL ALSO BE RESPONSIBLE FOR ANY PRUNING OF PLANT MATERIALS AND SHAPING AND/OR REPLACEMENT OR SUPPLEMENT OF DEFICIENT SHREDDED HARDWOOD BARK MULCH DURING THIS PERIOD. LONG TERM PLANT MATERIALS AND LAWN/TURFGRASS MAINTENANCE AND ANY PROGRAM FOR SUCH IS THE RESPONSIBILITY OF THE OWNER. ALL PLANTINGS AND LAWN/TURFGRASS AREAS SHALL BE MAINTAINED IN A MANICURED CONDITION UNTIL THE TIME WHEN THE OWNER'S ACCEPTANCE IS GIVEN.
- MAINTENANCE: (OWNER) THE OWNER IS RESPONSIBLE FOR THE CONTINUED MAINTENANCE, REPAIR AND REPLACEMENT OF ALL LANDSCAPING MATERIALS AND WEED BARRIER FABRIC AS NECESSARY FOLLOWING THE ONE (1) YEAR CONTRACTOR GUARANTEE PERIOD.



CREATE THE VISION TELL THE STORY

MADISON | MILWAUKEE
KENOSHA | APPLETON | WAUSAU

MADISON REGIONAL OFFICE
161 HORIZON DRIVE, SUITE 101
VERONA, WISCONSIN 53593
P. 608.848.5060

CLIENT:
SUMMIT CREDIT UNION

CLIENT ADDRESS:
**4800 American Parkway
MADISON, WI 53718**

PROJECT:
SUMMIT CREDIT UNION - WAUKESHA BRANCH

PROJECT LOCATION:
**2208 E MORELAND BOULEVARD
WAUKESHA COUNTY**

PLAN MODIFICATIONS:

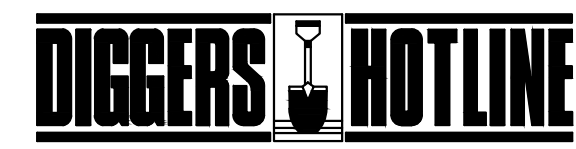
#	Date:	Description:
1	04.09.18	CITY PLAN REVIEW
2	05.14.18	CITY RESUBMITTAL
3		
4		
5		
6		
7		
8		
9		
10		
11		
12		
13		
14		
15		

Design/Drawn: ABK
Approved: MAS

LANDSCAPE DETAILS, NOTES, AND SPECIFICATIONS

SHEET NUMBER:

L2.0



Toll Free (800) 242-8511

JSD PROJECT NO: 18-8469