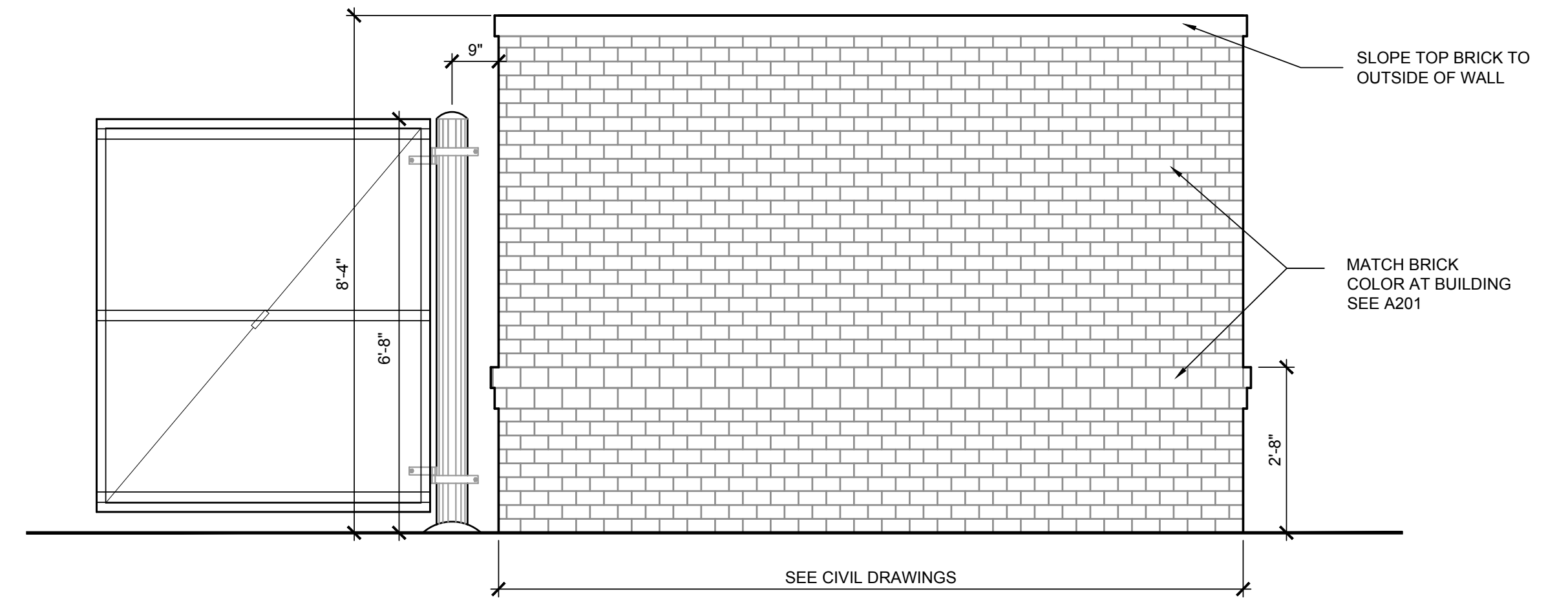
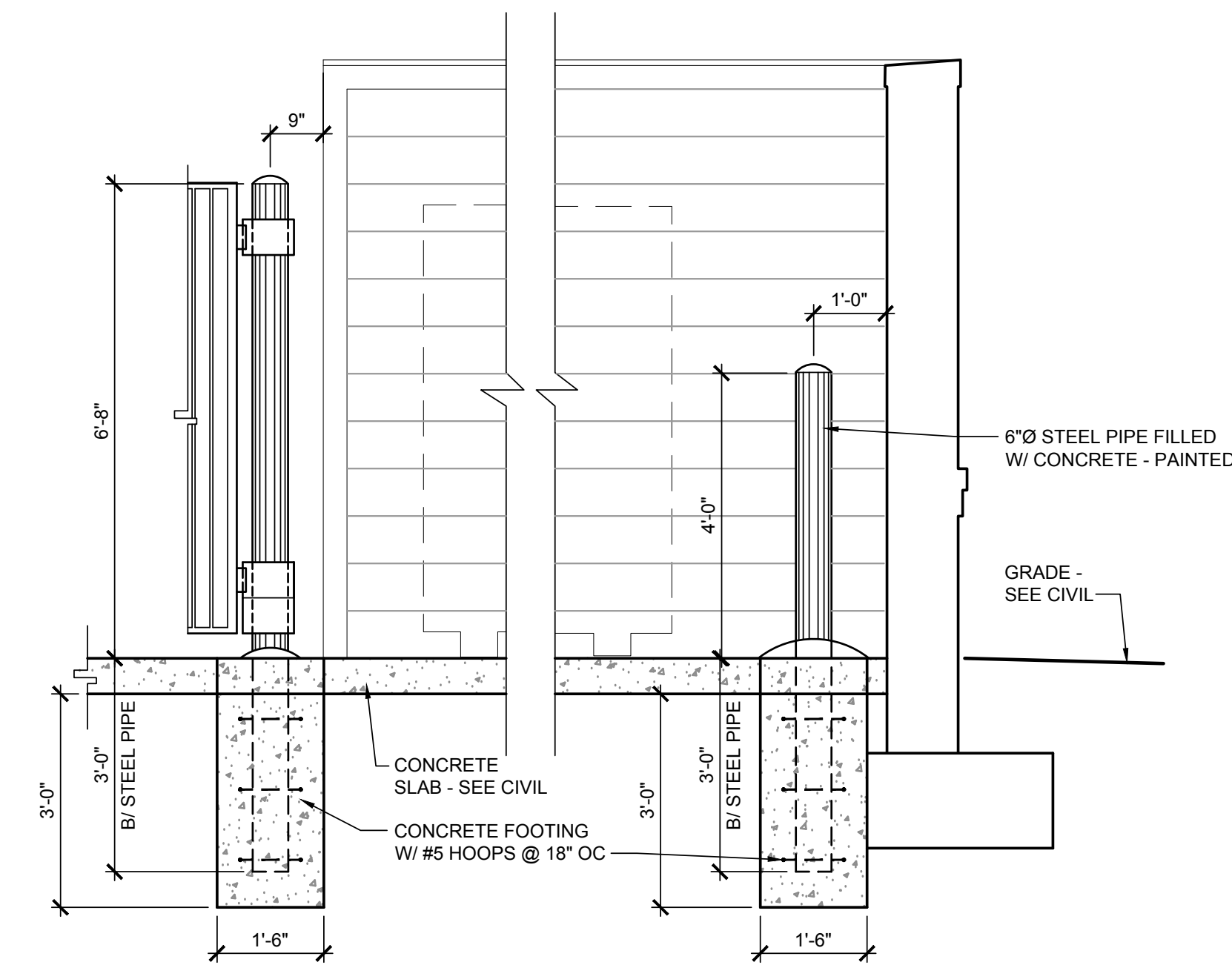


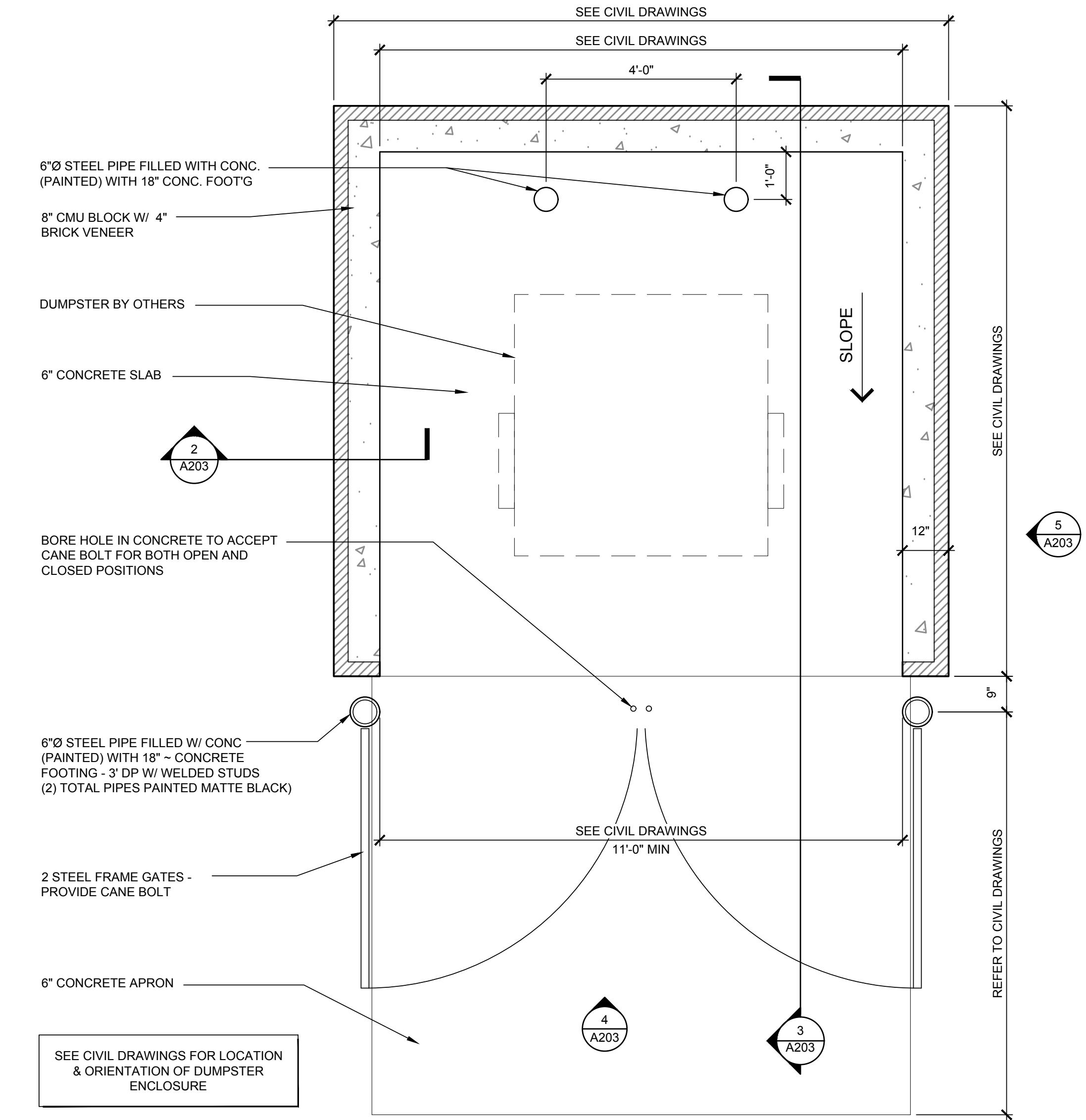
4 TRASH ENCLOSURE FRONT ELEVATION
SCALE: 1/2" = 1'-0"



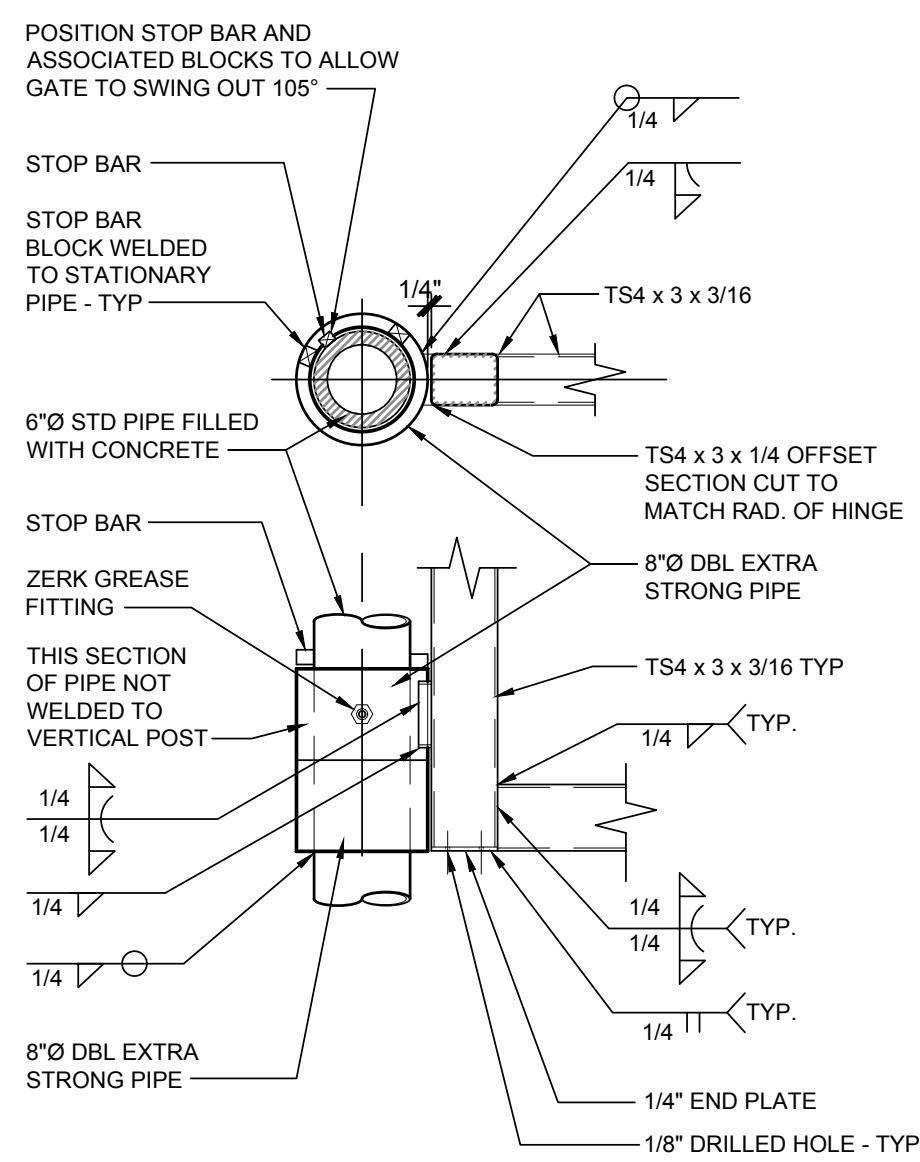
5 TRASH ENCLOSURE SIDE ELEVATION
SCALE: 1/2" = 1'-0"



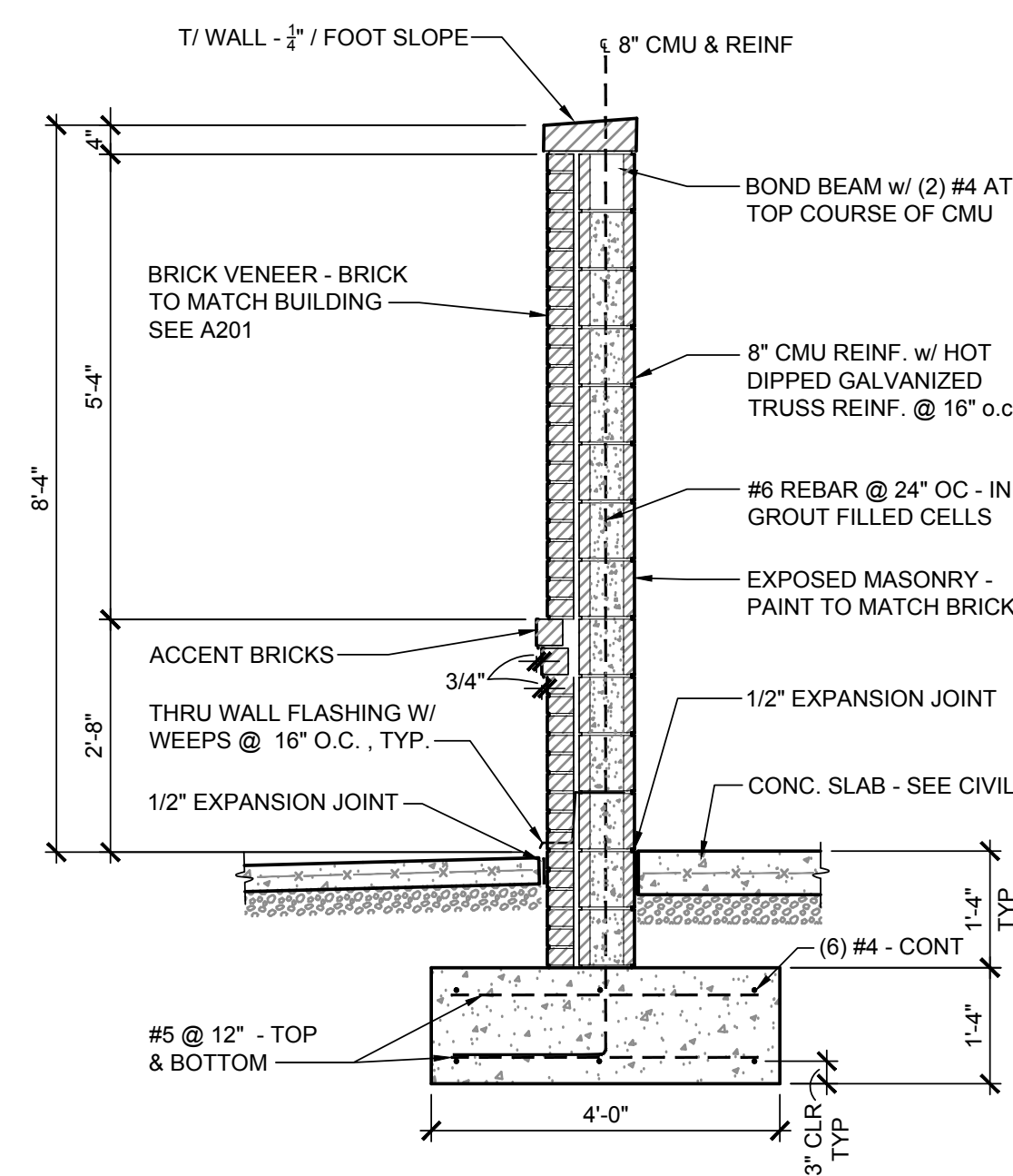
3 TRASH ENCLOSURE SECTION
SCALE: 1/2" = 1'-0"



1 TRASH ENCLOSURE PLAN
SCALE: 1/2" = 1'-0"



6 HINGE DETAIL
SCALE: 1" = 1'-0"



2 TRASH ENCLOSURE WALL SECTION
SCALE: 1/2" = 1'-0"