

PHOTOMETRIC SITE PLAN  
SCALE: 1" = 20'

**CALCULATION STATISTICS**

OVERALL SITE	PARKING/LOADING/UNLOADING
AVERAGE: 4.5	MAINTAIN: 4.1
MAXIMUM: 58.5	MAXIMUM: 17.9
MINIMUM: 0.0	MINIMUM: 0.4
MAXIMUM: N/A	MAXIMUM: 44.81
AVERAGE: N/A	AVERAGE: 10.31

**NOTE:**  
FOOTCANDLE LEVELS SHOWN ON THIS PLAN ARE CALCULATED AT GRADE LEVEL.

**FIGURE QUANTITIES**

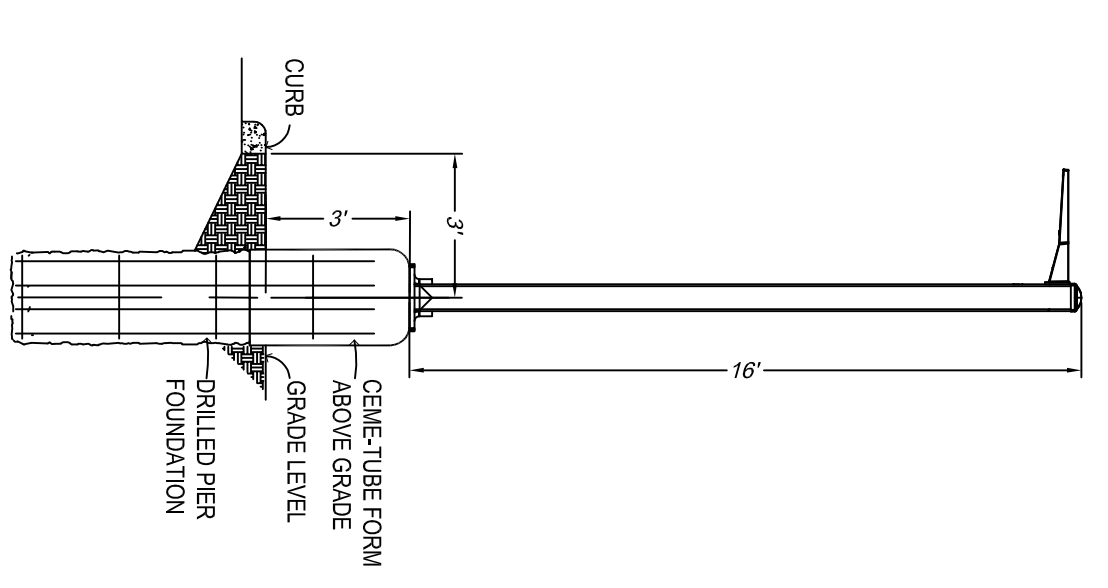
- A - 10
  - B - 2
  - C - 28
  - D - 10
  - F - 2
- PROVIDE (6) 15' POLES

**FIGURE SYMBOLS:**

- A & D LED LIGHT MOUNTED UNDER FUEL CANOPY
- B & F LED STRIP LIGHT MOUNTED IN GABLE
- RECESSED LED DOWNLIGHT
- POLE MOUNTED LED FIXTURE

**FIXTURE TYPES:**

- A. IS LIGHTING: SV-LED-2A1-SCFT-DJW-40-40-40-WHT (COLOR TEMPERATURE IS 4000K)  
MOUNTED UNDER GAS CANOPY  
MOUNT FIXTURES WITH FORWARD THROW OPTIC AIMING AT STORE FRONT.
- B. LED STRIP LIGHT MOUNTED IN GABLE  
LITHONIA-47ZLN-14-85K (COLOR TEMPERATURE IS 3500K)
- C. RECESSED LED DOWNLIGHT  
60THM-FR035358-RW-ND-28-RW (COLOR TEMPERATURE IS 3500K)
- D. IS LIGHTING: SV-LED-16-SC-UW-DJW-40-40-WHT (COLOR TEMPERATURE IS 4000K)  
MOUNTED UNDER GAS CANOPY
- E. IS LIGHTING: S-M-LED-4-SIL-F-DJW-40-70-08-WHT-L (COLOR TEMPERATURE IS 4000K)  
LED STRIP LIGHT MOUNTED IN GABLE
- F. LED STRIP LIGHT MOUNTED IN GABLE  
LITHONIA-47ZLN-14-85K (COLOR TEMPERATURE IS 3500K)  
FIGURE IS SHOWN DIMMED DOWN TO 20%



LOT LIGHT ELEVATION DETAIL  
NOT TO SCALE  
POLE IS FOR CAMERA ONLY, NO LIGHT FIXTURE.

2020-01-05/04  
**GR@EF**  
275 West Wisconsin Avenue, Suite 300  
Milwaukee, WI 53203  
414.229.1500  
414.229.0037 fax

**Kwik Trip, Inc.**  
P.O. BOX 2107  
1626 OAK STREET  
LA CROSSE, WI 54602-2107  
PH. (608) 781-8988  
FAX (608) 781-8960

**rasSmith**  
16245 W. Blinnwood Road  
Bokell, WI 53005-5788  
(262) 781-1000  
rasSmith.com

#	DATE	DESCRIPTION

**PHOTOMETRIC SITE PLAN**  
**CONVENIENCE STORE #527**  
  
1700 PEWAUKEE RD  
WAUKESHA, WI

DRAWN BY	AMM
SCALE	GRAPHIC
PROJ. NO.	3190494
DATE	2019-12-20
SHEET	E1